



US00D787190S

(12) **United States Design Patent** (10) **Patent No.:** **US D787,190 S**
Machiorlette et al. (45) **Date of Patent:** **** May 23, 2017**

(54) **MAKEUP BRUSH**

FOREIGN PATENT DOCUMENTS

(71) Applicant: **Worth Beauty, LLC**, Houston, TX (US)

TW D131817 11/2009

(72) Inventors: **Steven C. Machiorlette**, Houston, TX (US); **Carol M. Martin**, Atlanta, GA (US); **Charles Michael Gayle**, Midlothian, VA (US)

OTHER PUBLICATIONS

EM 291562-0005 Registered Design Application, (Shun-I Cheng) Apr. 5, 2005, online, retrieved on Jun. 21, 2012, Retrieved from the Community Design Database of the Office for Harmonization in the Internal Market using the Internet: URL: <http://oami.europa.eu>.

(73) Assignee: **Worth Beauty, LLC**, Houston, TX (US)

(Continued)

(**) Term: **15 Years**

Primary Examiner — John Windmuller

Assistant Examiner — Steven Czyz

(21) Appl. No.: **29/540,966**

(74) *Attorney, Agent, or Firm* — Brient Globberman, LLC

(22) Filed: **Sep. 29, 2015**

(51) **LOC (10) Cl.** **04-02**

(57) **CLAIM**

(52) **U.S. Cl.**
USPC **D4/102**

The ornamental design for a makeup brush, as shown and described.

(58) **Field of Classification Search**
USPC D4/102, 127, 130, 132, 133, 135, 138, D4/199; D28/4, 7, 8

CPC A46B 3/10; A46B 3/12; A46B 3/22; A46B 5/005; A46B 5/0075; A46B 5/0079; A46B 5/02; A46B 7/023; A46B 9/021; A46B 2200/1046

DESCRIPTION

See application file for complete search history.

FIG. 1 is a front perspective view of a makeup brush according to the present design;

FIG. 2 is a front elevation view of the makeup brush shown in FIG. 1.

FIG. 3 is a rear elevation view of the makeup brush shown in FIG. 1.

FIG. 4 is a right side elevation view of the makeup brush shown in FIG. 1.

FIG. 5 is a left side elevation view of the makeup brush shown in FIG. 1.

FIG. 6 is a top plan view of the makeup brush shown in FIG. 1; and,

FIG. 7 is a bottom plan view of the makeup brush shown in FIG. 1.

The broken lines depict portions of the article that form no part of the claimed design.

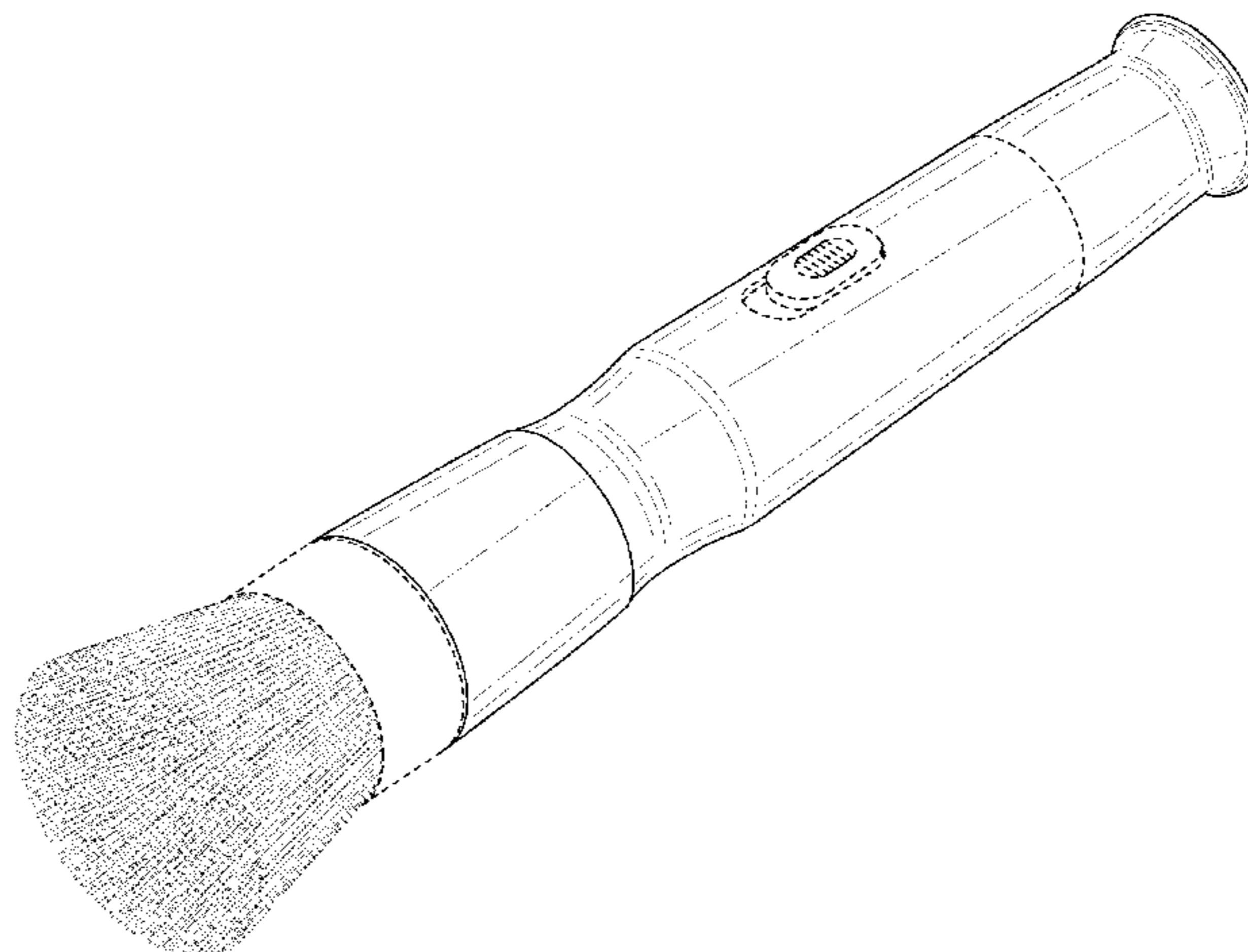
(56) **References Cited**

U.S. PATENT DOCUMENTS

D20,006 S	7/1890	Lessard	
D25,775 S *	7/1896	Neubert et al.	D4/121
D94,534 S	2/1935	Bowker et al.	
2,913,750 A	11/1959	Aversa	
3,309,728 A *	3/1967	Seaver	A46B 7/023 15/184
4,040,753 A *	8/1977	Griffith	A45D 34/042 401/186
D276,192 S *	11/1984	Fusco	D4/120
D276,480 S *	11/1984	Nigro	D4/127
D304,392 S *	11/1989	Reich	D4/135

(Continued)

1 Claim, 4 Drawing Sheets



(56)

References Cited

U.S. PATENT DOCUMENTS

D310,917 S * 10/1990 Futter D4/114
 5,197,496 A 3/1993 Nakamura
 D370,126 S 5/1996 Pfanstiehl et al.
 D376,910 S * 12/1996 Tuchman 401/139
 D394,353 S 5/1998 Berti
 D401,419 S * 11/1998 Hartmann D4/119
 D420,807 S * 2/2000 Otteman D4/119
 6,056,470 A 5/2000 Nehashi et al.
 6,363,948 B2 4/2002 Choi
 D458,761 S 6/2002 Mason
 7,234,474 B2 * 6/2007 Byun A45D 34/02
 132/313
 7,267,125 B2 9/2007 Nevakshonoff
 7,275,885 B2 * 10/2007 Byun A45D 33/02
 401/278
 D556,009 S 11/2007 Settles
 7,384,208 B2 6/2008 Bouix et al.
 7,386,910 B2 6/2008 Minkler et al.
 D598,655 S * 8/2009 Thorpe D4/121
 D627,975 S 11/2010 Chang
 D630,437 S * 1/2011 Carey D4/116
 D631,255 S * 1/2011 Vilain D4/100
 D640,471 S * 6/2011 Lin D4/120
 D646,488 S 10/2011 Rennette
 8,033,746 B2 10/2011 Tsai
 D653,038 S 1/2012 Park
 8,230,543 B2 7/2012 Shrier et al.
 D669,274 S * 10/2012 Meurrens D32/35
 D675,449 S 2/2013 Martin et al.
 D685,191 S 7/2013 Martin et al.
 8,518,001 B2 8/2013 Hasenoehrl et al.
 8,562,352 B2 10/2013 Fairweather
 8,668,401 B2 3/2014 Francavilla
 8,726,916 B2 5/2014 Park
 D719,739 S * 12/2014 Brescia D4/121
 D730,062 S * 5/2015 Lim D4/138
 D752,882 S 4/2016 Chang
 D757,441 S * 5/2016 Hwang D4/127
 D768,998 S * 10/2016 Kim D4/127
 9,462,871 B2 * 10/2016 Machiorlette A45D 40/26
 9,468,281 B2 10/2016 Schreiber et al.
 D770,185 S * 11/2016 Shown D4/127
 2002/0014246 A1 * 2/2002 Choi A45D 33/02
 132/112

2006/0289025 A1 * 12/2006 Nevakshonoff B24B 23/02
 132/73.6
 2007/0151061 A1 7/2007 Mink et al.
 2008/0142032 A1 * 6/2008 Liberty B65D 81/3211
 132/200
 2008/0236607 A1 * 10/2008 Lee A45D 40/264
 132/218
 2009/0183328 A1 7/2009 King
 2010/0043815 A1 * 2/2010 Levy A46B 7/023
 132/200
 2010/0095973 A1 * 4/2010 Shrier A46B 7/04
 132/200
 2012/0148330 A1 * 6/2012 Yoon A46B 5/0016
 401/32
 2012/0152272 A1 * 6/2012 Solovey A45D 2/002
 132/242
 2012/0260931 A1 * 10/2012 Martin A46B 13/02
 132/200
 2012/0298130 A1 * 11/2012 Telwar A46B 3/08
 132/317
 2013/0014338 A1 * 1/2013 Park A46B 9/021
 15/176.6
 2014/0166041 A1 6/2014 King
 2015/0034113 A1 * 2/2015 Yamagishi A46B 13/02
 132/200
 2015/0265039 A1 * 9/2015 Godin A46B 9/021
 15/207.2
 2015/0272301 A1 10/2015 Schreiber et al.
 2016/0083153 A1 * 3/2016 Apodaca A45D 34/045
 401/129
 2016/0302560 A1 * 10/2016 Takata A46B 9/021
 2016/0324306 A1 * 11/2016 Martin A46B 13/02
 2017/0000251 A1 1/2017 Machiorlette et al.

OTHER PUBLICATIONS

FR 976908 Registered Design Application, Fuchs Vitrac, Mar. 20, 1998, online, retrieved on Jun. 30, 2012, Retrieved from the Design Database of the Institut National de la Propriete Industrielle using the Internet: URL: <http://bases-modeles.inpi.fr>.
 Related case—Design U.S. Appl. No. 29/516,895, filed Feb. 6, 2015.
 Related case—U.S. Appl. No. 15/281,293, filed Sep. 30, 2016.

* cited by examiner

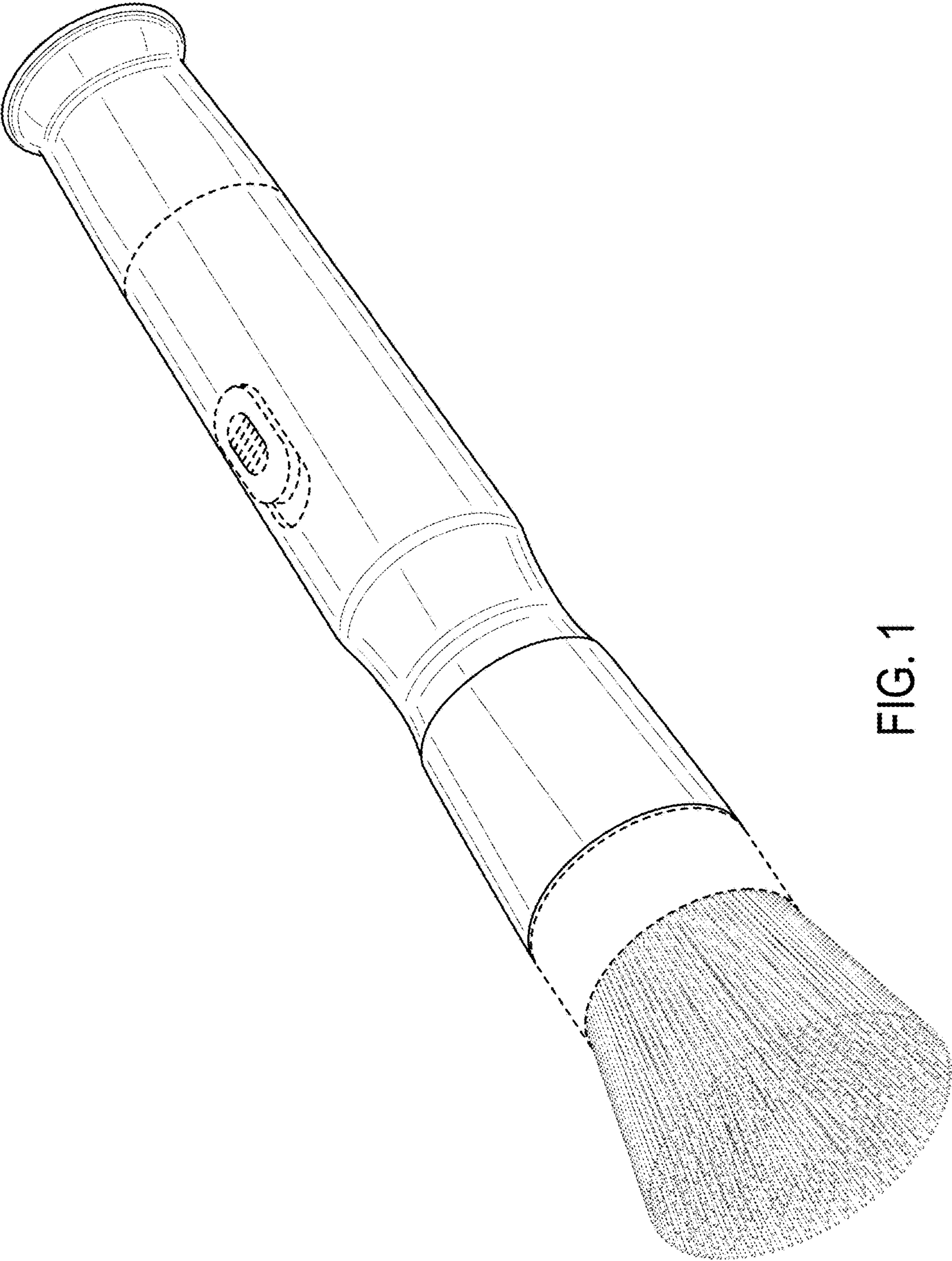


FIG. 1

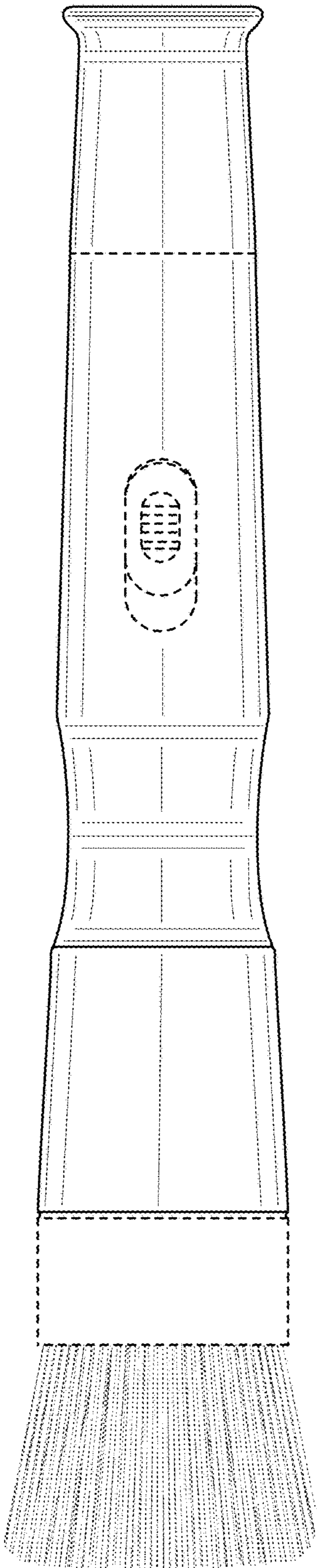


FIG. 2

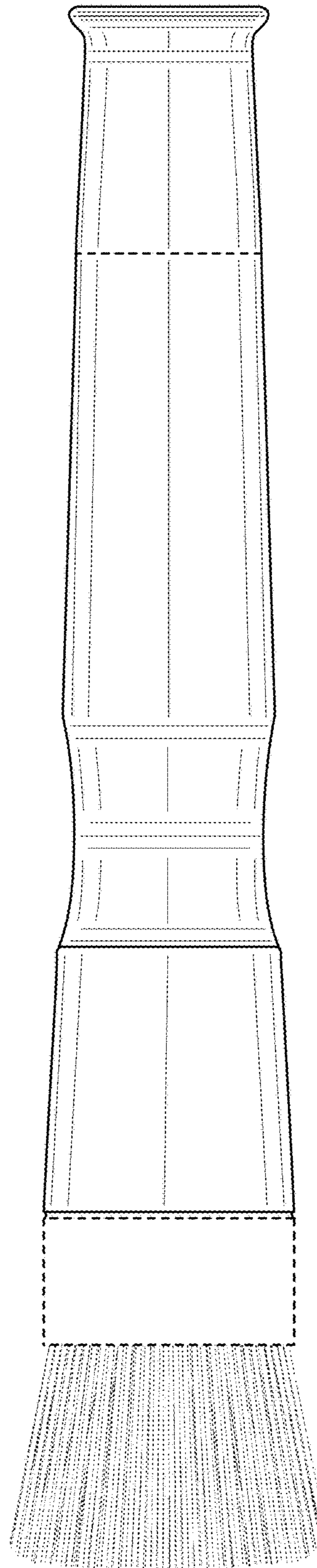


FIG. 3

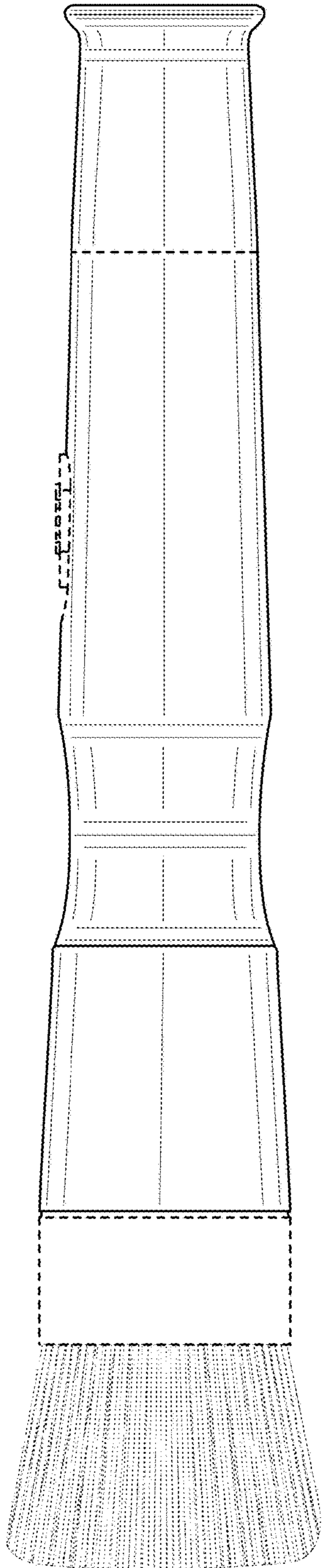


FIG. 4

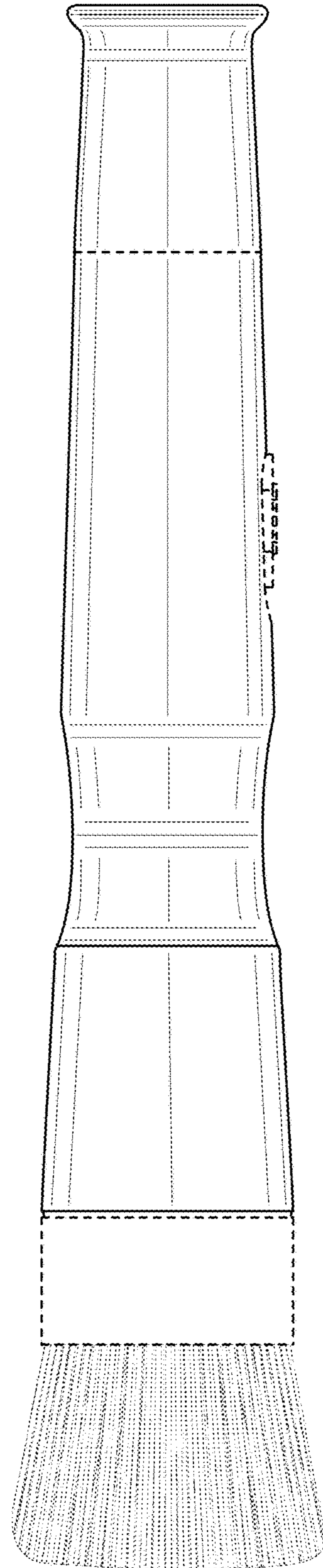


FIG. 5

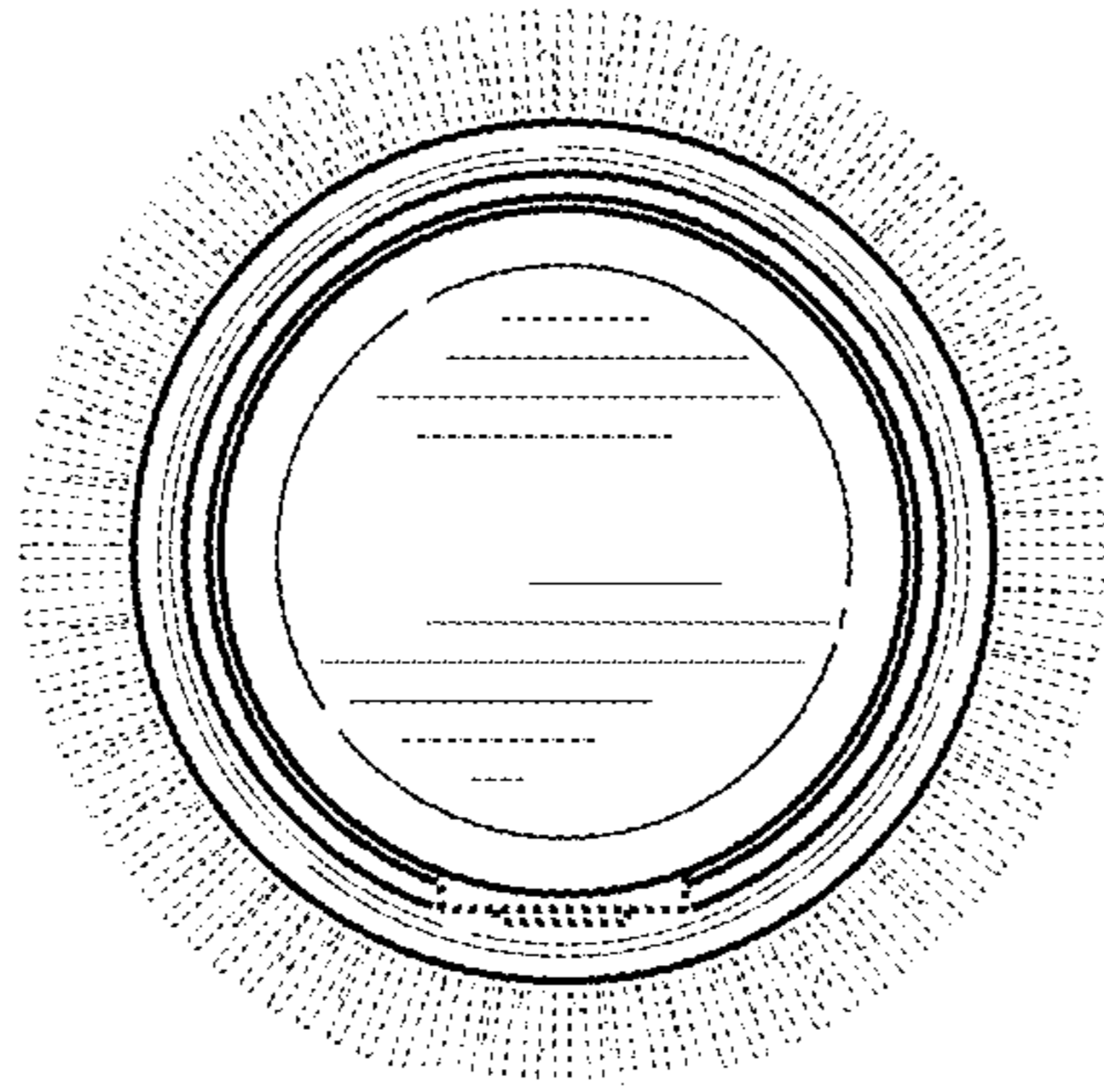


FIG. 7

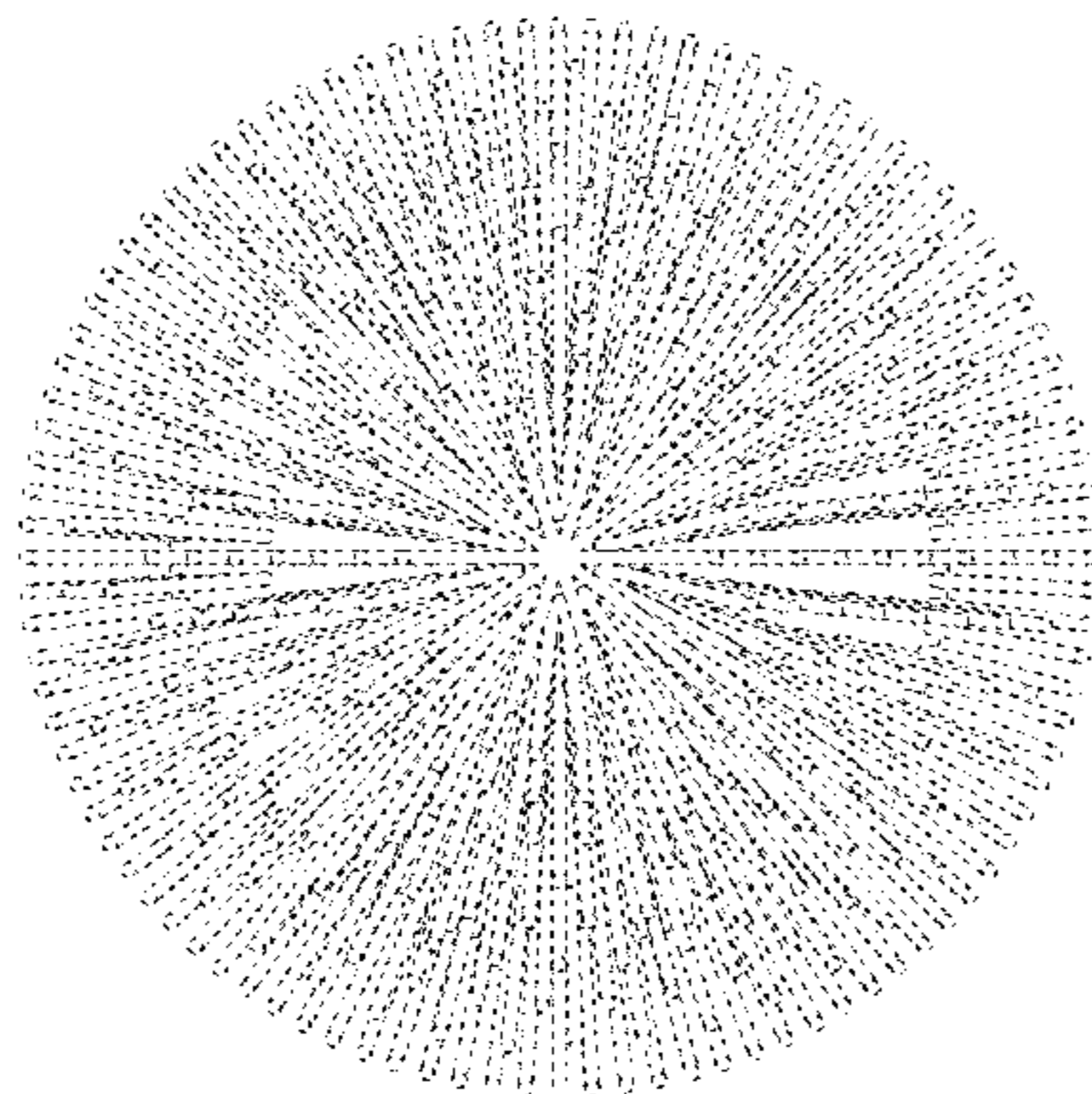


FIG. 6