



US00D787189S

(12) **United States Design Patent** (10) **Patent No.:** **US D787,189 S**
Fretwell et al. (45) **Date of Patent:** **** May 23, 2017**

(54) **TOOTHBRUSH**

(71) Applicant: **GOSMILE, INC.**, Berkeley, CA (US)

(72) Inventors: **Allison Fretwell**, San Francisco, CA (US); **Lou Lentine**, Chattanooga, TN (US)

(73) Assignee: **GOSMILE, LLC**, Austin, TX (US)

(**) Term: **14 Years**

(21) Appl. No.: **29/485,227**

(22) Filed: **Mar. 17, 2014**

(51) **LOC (10) Cl.** **04-02**

(52) **U.S. Cl.**
USPC **D4/101; D4/138**

(58) **Field of Classification Search**
USPC D4/101, 104-112, 114, 138; 15/110, 15/167.1, 167.2, 176.1, 176.6, 188, 22.1,
(Continued)

(56) **References Cited**

U.S. PATENT DOCUMENTS

3,104,405 A * 9/1963 Perrinjaquet A61C 17/3418
15/22.1
D197,048 S * 12/1963 Troy D4/101
(Continued)

FOREIGN PATENT DOCUMENTS

AU 199479311 5/1995
BR 10714858 A2 7/2009
(Continued)

OTHER PUBLICATIONS

“Advanced Care: World’s First Toothbrush Featuring LED Self Sanitizing Technology on the Brush Head”, BriteBrushUSA, downloaded from the Internet at: <<http://www.britebrushusa.com/advancedcare.html>> (2011).

(Continued)

Primary Examiner — Susan Moon Lee

(74) *Attorney, Agent, or Firm* — Strasburger & Price, LLP

(57) **CLAIM**

The ornamental design for a toothbrush, as shown and described.

DESCRIPTION

FIG. 1 is a front, right-side, and top view of a toothbrush that has the design.

FIG. 2 is a front view of the toothbrush.

FIG. 3 is a right side view of the toothbrush.

FIG. 4 is a rear view of the toothbrush.

FIG. 5 is a left side view of the toothbrush.

FIG. 6 is a top view of the toothbrush.

FIG. 7 is a front, right-side, and top view of the toothbrush, with the bottom of the toothbrush being visible.

FIG. 8 is a front view of the toothbrush.

FIG. 9 is a right side view of the toothbrush.

FIG. 10 is a rear view of the toothbrush.

FIG. 11 is a left side view of the toothbrush.

FIG. 12 is a top view of the toothbrush.

FIG. 13 is a front, right-side, and top exploded view of the toothbrush.

FIG. 14 is a front exploded view of the toothbrush.

FIG. 15 is a right side exploded view of the toothbrush.

FIG. 16 is a rear exploded view of the toothbrush.

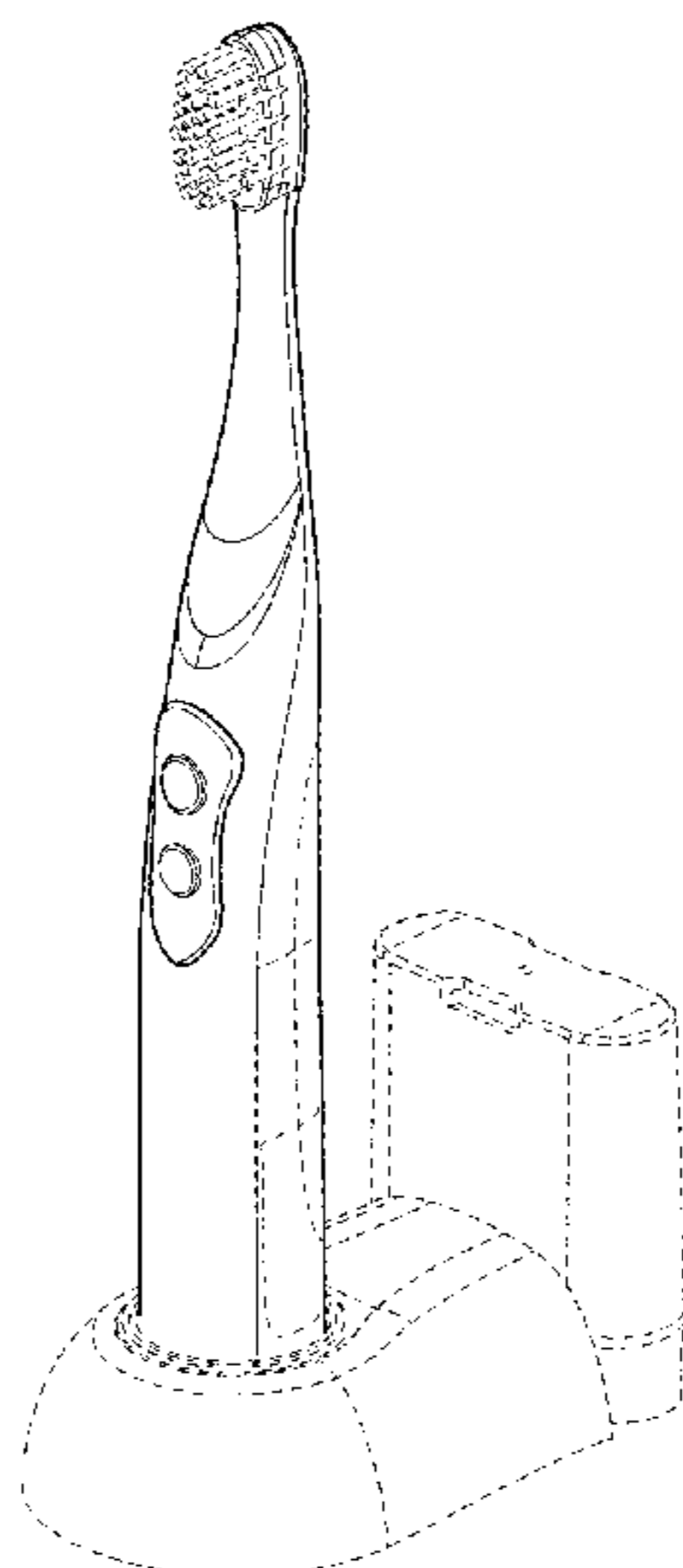
FIG. 17 is a left side exploded view of the toothbrush; and,

FIG. 18 is a top exploded view of the toothbrush.

The illustrative broken line showing of bristles within the toothbrush head, as well as of a base stand throughout the drawing figures, depicts exemplary components which might be used with the toothbrush and forms no part of the claimed design.

The singular broken lines on the handle portion of the toothbrush are also illustrative only and form no part of the claimed design.

1 Claim, 18 Drawing Sheets



(58) **Field of Classification Search**

USPC 15/145, 143.1, 22.2, 28, 29, 22.4;
 132/308-311; 601/139, 141, 142;
 D8/61; 81/57.11-57.14, 57.31, 57.42
 CPC A46B 5/0095; A46B 7/04; A46B 7/042;
 A46B 7/044; A46B 9/04; A46B
 2200/1066; A46B 15/001; A46B 15/004;
 A46B 15/0044; A46B 15/0038; A46B
 15/0004; A46B 15/0008; A46B 15/0002;
 A61C 17/16; A61C 17/22; A61C 17/222;
 A61C 17/32; A61C 17/34; A61C
 17/3409; A61C 17/3445; A61C 17/3454;
 A61C 17/3463; A61C 17/3481; A61C
 17/20; A61C 17/221; A61C 17/225; A61C
 17/24; A61C 17/26; A61C 17/3418; A61C
 17/3427; A61C 17/3436; A61C 17/3453;
 A61C 17/3472; A61C 17/40; A61C
 17/224; A61C 17/349

See application file for complete search history.

(56) **References Cited**

U.S. PATENT DOCUMENTS

D199,893 S * 12/1964 Bond et al. D4/101
 D201,667 S * 7/1965 Morris et al. D4/101
 3,435,477 A * 4/1969 Moyer A61C 17/3418
 15/22.1
 D220,239 S * 3/1971 Rams et al. D4/101
 3,802,420 A * 4/1974 Moffat A61C 17/26
 15/28
 D233,574 S 11/1974 Reltknecht
 D278,764 S * 5/1985 Olsen D4/101
 4,534,340 A * 8/1985 Kerr A61C 17/028
 15/22.1
 4,580,587 A 4/1986 Rittich et al.
 4,716,614 A 1/1988 Jones et al.
 D303,733 S 10/1989 Benichou
 D318,375 S 7/1991 Bennett
 D325,129 S * 4/1992 Ambasz D4/101
 5,115,533 A 5/1992 Hukuba
 5,148,567 A * 9/1992 Daub A46B 7/04
 15/167.2
 D336,567 S 6/1993 Glover et al.
 D368,373 S * 4/1996 Shimatsu D4/101
 5,504,959 A * 4/1996 Yukawa A61C 17/349
 15/22.1
 D370,125 S * 5/1996 Craft D4/101
 D382,407 S * 8/1997 Craft D4/101
 5,673,451 A 10/1997 Moore et al.
 5,704,087 A 1/1998 Strub
 5,737,792 A 4/1998 Quigless
 5,813,855 A 9/1998 Crisio, Jr.
 D411,769 S * 7/1999 Wright D4/101
 5,946,758 A 9/1999 Hohlbein et al.
 D420,804 S 2/2000 Juhlin et al.
 6,026,828 A 2/2000 Altshuler
 D423,224 S * 4/2000 Sale D4/101
 6,047,429 A * 4/2000 Wu A61C 17/36
 15/29
 6,154,912 A 12/2000 Li
 D437,118 S 2/2001 Cheng
 D439,413 S 3/2001 Klein
 6,237,183 B1 5/2001 Fischer
 D443,143 S 6/2001 Ponceano
 D452,775 S * 1/2002 Wright D4/101
 6,341,400 B1 1/2002 Kobayashi et al.
 D456,996 S * 5/2002 McCurrach D4/101
 D457,000 S * 5/2002 Lim D4/104
 D458,027 S * 6/2002 Ferber D4/101
 D459,081 S * 6/2002 Eliav D4/101
 D464,489 S 10/2002 Emerick et al.
 6,485,300 B1 11/2002 Muller et al.
 D474,895 S * 5/2003 Breit D4/101

D477,465 S 7/2003 Reilly et al.
 D479,403 S * 9/2003 Breit D4/101
 D479,915 S * 9/2003 De Salvo D4/101
 6,616,451 B1 9/2003 Rizolu et al.
 6,623,272 B2 9/2003 Clemans
 D487,349 S * 3/2004 Julian D4/101
 D489,183 S * 5/2004 Akahori D4/101
 6,752,627 B2 6/2004 Lin
 D493,960 S * 8/2004 Jimenez D4/101
 6,821,119 B2 * 11/2004 Shortt A61C 17/22
 433/118
 D500,208 S * 12/2004 Vu D4/101
 D500,599 S * 1/2005 Callaghan D4/101
 6,862,771 B1 3/2005 Muller
 6,902,397 B2 6/2005 Farrell et al.
 D508,776 S * 8/2005 Kling D4/101
 6,926,532 B1 8/2005 Brattesani
 D510,662 S * 10/2005 Kling D4/101
 D510,809 S * 10/2005 Geiberger D4/104
 6,954,961 B2 10/2005 Ferber et al.
 D515,816 S * 2/2006 Jimenez D4/101
 7,080,980 B2 * 7/2006 Klupt A61C 17/222
 15/167.1
 7,134,162 B2 11/2006 Kweon et al.
 D533,349 S * 12/2006 Jimenez D4/101
 D543,034 S * 5/2007 Winkler D4/101
 7,228,583 B2 * 6/2007 Chan A46B 5/02
 15/143.1
 D545,569 S * 7/2007 Chen D4/101
 D547,051 S * 7/2007 Kirk, III D3/203.1
 7,261,558 B2 8/2007 Rizoju et al.
 D560,913 S * 2/2008 Dorsey D4/101
 7,328,708 B2 2/2008 Malak
 D563,106 S 3/2008 Chan et al.
 D565,843 S 4/2008 Mackintosh
 7,422,598 B2 9/2008 Altshuler et al.
 D580,173 S * 11/2008 Beedham D4/101
 7,467,946 B2 12/2008 Rizoju et al.
 D586,125 S * 2/2009 Winkler D4/101
 7,596,827 B1 * 10/2009 Puneet A46B 15/0002
 15/105
 D614,868 S 5/2010 Goldman et al.
 D619,368 S * 7/2010 Toshima D4/101
 7,748,070 B2 7/2010 Chan et al.
 D625,104 S * 10/2010 Winkler D4/101
 7,975,344 B2 7/2011 Braun et al.
 D644,439 S * 9/2011 Shigeno D4/101
 D648,539 S * 11/2011 Wai D4/101
 D648,941 S * 11/2011 Leung D4/101
 8,137,109 B2 3/2012 Gatzemeyer et al.
 D658,382 S * 5/2012 Heil D4/101
 8,196,246 B1 * 6/2012 Haynes A46B 9/04
 15/167.1
 8,201,295 B2 6/2012 Gatzemeyer et al.
 8,214,958 B2 7/2012 Pinyayev et al.
 8,240,312 B2 8/2012 Feuerstein et al.
 8,424,144 B2 4/2013 Nanda
 8,429,783 B2 4/2013 Russell et al.
 8,464,388 B2 6/2013 Chen
 D687,226 S 8/2013 Doumoto et al.
 D688,464 S * 8/2013 Hara D4/101
 D688,873 S 9/2013 Domoto
 D689,697 S 9/2013 Doumoto et al.
 D698,555 S 2/2014 Nanda
 D701,388 S * 3/2014 Chuazhou D4/101
 D710,110 S 8/2014 Miller
 D723,282 S 3/2015 Fretwell et al.
 D742,648 S 11/2015 Dishon
 D749,852 S * 2/2016 Since D4/101
 D751,821 S * 3/2016 Since D4/101
 D752,868 S * 4/2016 McGarry D4/101
 D753,922 S 4/2016 Jimenez et al.
 D766,581 S * 9/2016 Bloch D4/101
 D771,388 S * 11/2016 Since D4/101
 2002/0017474 A1 * 2/2002 Blaustein A61C 17/22
 206/362.2
 2002/0088068 A1 * 7/2002 Levy A46B 15/0002
 15/22.1

(56)

References Cited

U.S. PATENT DOCUMENTS

2002/0092104 A1* 7/2002 Ferber A61C 17/224
15/22.1
2003/0154567 A1* 8/2003 Drossler A61C 17/40
15/22.1
2003/0192139 A1* 10/2003 Fattori A46B 13/02
15/22.1
2004/0155201 A1 8/2004 Russell et al.
2005/0064371 A1 3/2005 Soukos et al.
2005/0102773 A1* 5/2005 Obermann A61C 17/3418
15/4
2005/0221251 A1 10/2005 Soukos et al.
2005/0267451 A1 12/2005 Black
2005/0271997 A1 12/2005 Mikami et al.
2006/0059638 A1* 3/2006 Hegemann A61C 1/0092
15/22.2
2006/0183071 A1 8/2006 Hsuch
2006/0222600 A1 10/2006 Pinyayev
2006/0223024 A1 10/2006 Hochman
2006/0283478 A1 12/2006 Avila et al.
2007/0111167 A1 5/2007 Russell et al.
2007/0131241 A1 6/2007 Nanda
2007/0143938 A1 6/2007 McDougall
2008/0060154 A1 3/2008 Jansheski
2008/0118300 A1* 5/2008 Burrowes A46B 11/0017
401/270
2008/0131834 A1 6/2008 Shepherd et al.
2008/0196184 A1 8/2008 Mary
2008/0286713 A1 11/2008 Nanda
2009/0083924 A1* 4/2009 Shepherd A46B 5/0095
15/105
2009/0148808 A1 6/2009 Alexander et al.
2009/0183324 A1* 7/2009 Fischer A61C 17/34
15/22.1
2009/0238778 A1 9/2009 Mordas et al.
2010/0043161 A1 2/2010 Tanuma
2010/0269276 A1* 10/2010 Faranda A61C 17/221
15/22.1
2011/0126370 A1 6/2011 Reuben
2011/0162155 A1 7/2011 Wai
2011/0277256 A1 11/2011 Jo et al.
2011/0296643 A1 12/2011 Shepherd et al.
2012/0096657 A1 4/2012 So et al.
2012/0124759 A1* 5/2012 Fritsch A46B 7/04
15/22.1
2012/0137454 A1 6/2012 Huy et al.
2012/0192367 A1* 8/2012 Lin A61C 17/224
15/22.1
2012/0233788 A1* 9/2012 Kitagawa A61C 17/222
15/22.1
2012/0258053 A1 10/2012 Patel et al.
2012/0270183 A1 10/2012 Patel et al.
2013/0117950 A1 5/2013 Kim
2014/0115800 A1* 5/2014 Haynes A61C 17/26
15/22.1
2014/0259474 A1* 9/2014 Sokol A61C 17/3445
15/22.2
2014/0304929 A1* 10/2014 Rehtin A46B 5/0095
15/22.1
2015/0113747 A1* 4/2015 May A46B 15/0004
15/22.1
2015/0150662 A1* 6/2015 Kressner A61C 17/222
15/22.2
2015/0173502 A1* 6/2015 Sedic A46B 9/04
15/22.1

FOREIGN PATENT DOCUMENTS

CA 2603114 A1 10/2006
CN 2090244 U 12/1991
CN 2384592 Y 6/2000
CN 2779949 Y 5/2006
CN 2792296 Y 7/2006
CN 2838378 Y 11/2006

CN 2877417 Y 3/2007
CN 201319957 Y 10/2009
CN 201333107 Y 10/2009
CN 101606783 A 12/2009
CN 201393679 Y 2/2010
CN 201398630 Y 2/2010
CN 101683288 A 3/2010
CN 201468422 U 5/2010
CN 101856175 A 10/2010
CN 201755170 U 3/2011
CN 201790236 U 4/2011
CN 201790238 U 4/2011
CN 201798223 U 4/2011
CN 102121628 A 7/2011
CN 201899066 U 7/2011
CN 201905446 U 7/2011
CN 201977074 U 9/2011
CN 202146048 U 2/2012
CN 102379751 A 3/2012
CN 102429458 A 5/2012
CN 202286871 U 7/2012
CN 202341232 U 7/2012
CN 202375397 U 8/2012
CN 102793368 A 11/2012
CN 202515819 U 11/2012
CN 202526018 U 11/2012
CN 202526334 U 11/2012
CN 202552659 U 11/2012
CN 202552694 U 11/2012
CN 102813371 A 12/2012
CN 202637163 U 1/2013
DE 29908517 U1 12/1999
DE 202008006920 U1 9/2008
EP 1663058 A2 6/2006
EP 1664987 A2 6/2006
EP 2081542 A2 7/2009
EP 1792581 B1 3/2011
EP 1364594 B1 1/2012
JP 2241406 9/1990
JP 2277407 A 11/1990
JP 2003047528 A 2/2003
JP 2006068361 A 3/2006
JP 2011194181 A 10/2011
KR 280204 B1 1/2001
KR 2004013186 A 2/2004
KR 551710 B1 2/2006
KR 2007051986 A 5/2007
KR 2009022742 A 3/2009
KR 942722 B1 2/2010
KR 2010073065 7/2010
KR 20100079228 A 7/2010
KR 201100232 U 1/2011
KR 2011052843 A 5/2011
KR 1166065 B1 7/2012
KR 2012072505 A 7/2012
RU 2098993 C1 12/1997
RU 2174381 C2 10/2001
RU 2183439 C2 6/2002
RU 2316243 C2 2/2008
RU 2375989 C1 12/2009
RU 104465 U 5/2011
TW 200425857 A 12/2004
TW 200950721 A 12/2009
WO WO-95/10243 A1 4/1995
WO WO-2005/009270 A2 2/2005
WO WO-2005/023145 A2 3/2005
WO WO-2007/102678 A1 9/2007
WO WO-2008/019870 A1 2/2008
WO WO-2009/047669 A2 4/2009
WO WO-2009/055943 A1 5/2009
WO WO-2010/127629 A1 11/2010
WO WO-2013/076535 A1 5/2013

OTHER PUBLICATIONS

“UV Toothbrush” from Sharper Image website, downloaded from the Internet at: <<http://www.sharperimage.com/si/view/product/UV-Toothbrush/200770>> (2012).

(56)

References Cited

OTHER PUBLICATIONS

Levenstein, LED Toothbrush Shines the Light On Dental Health, InventorSpot.com, downloaded from the Internet at: <http://inventorspot.com/articles/led_toothbrush_shines_light_dental_health_34026> (2009).

Osborne, "LED toothbrush could light the way to better dental health", Geek.com, downloaded from the Internet at: <<http://www.geek.com/gadgets/led-toothbrush-could-light-the-way-to-better-dental-health-769892/>> (May 11, 2009).

Promedic Pro-Care LED Electric Toothbrush, Procure Co. Ltd., downloaded from the Internet at: <<http://procure21.m.ec21.com/mobile/productDetail.jsp?productId=7170686&groupId=7170662>>.

Yamamoto, "A toothbrush to light up your mouth", cnet.com, downloaded from the Internet at: <<http://www.cnet.com/news/a-toothbrush-to-light-up-your-mouth/>> (Nov. 20, 2006).

GoSMILE, Go Sonic Whitening Toothbrush, posted at QVC [online], posting date not available [site visited Mar. 28, 2016]. Available from the Internet: <<http://www.qvc.com/GO-SMILE-Set-of-2-On-the-Go-Sonic-Whitening-Toothbrushes.product.A270508.html>>.

Panasonic, Pocket Electric Toothbrush, posted at GadgetHim [online], posted on Oct. 20, 2010 [site visited Mar. 28, 2016]. Available from the Internet: <<http://gadgethim.com/fun-toothbrush-designs/>>.

* cited by examiner

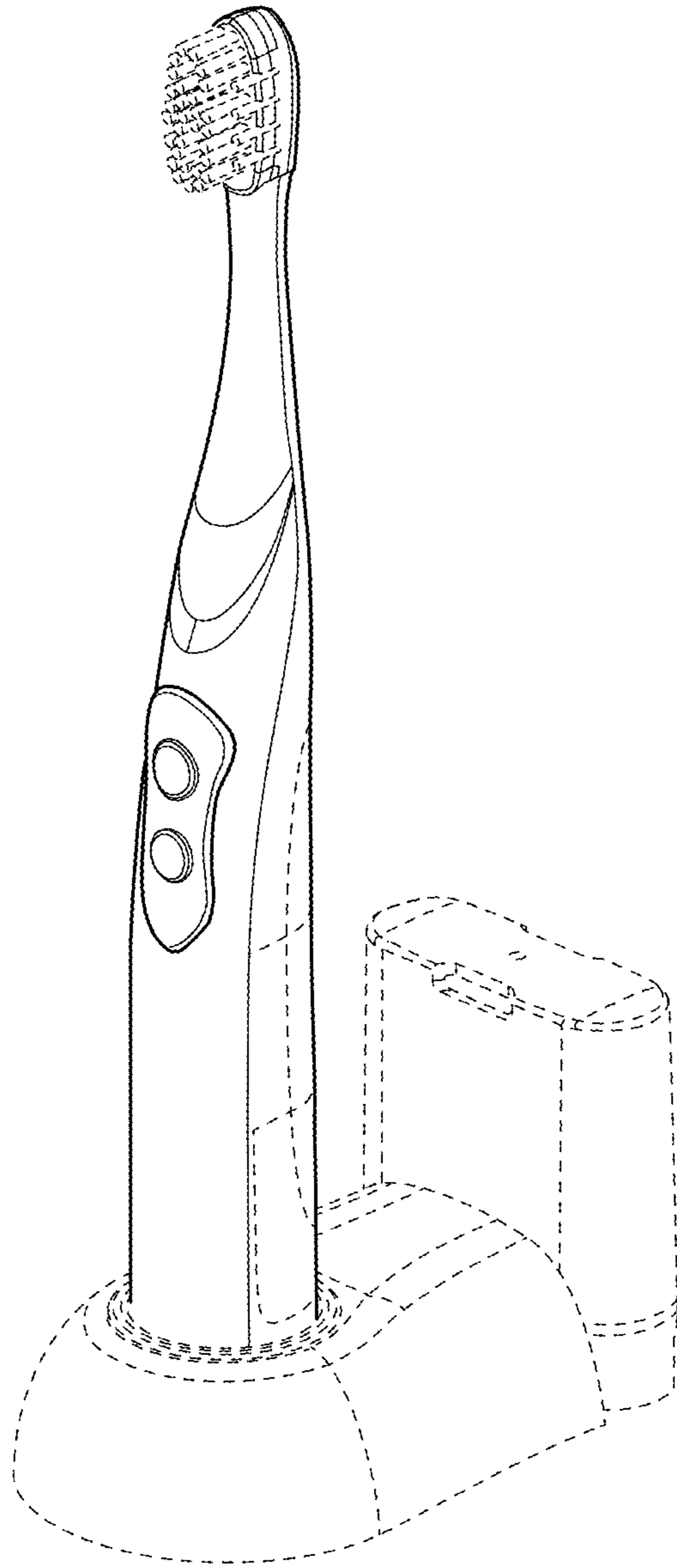


FIG. 1

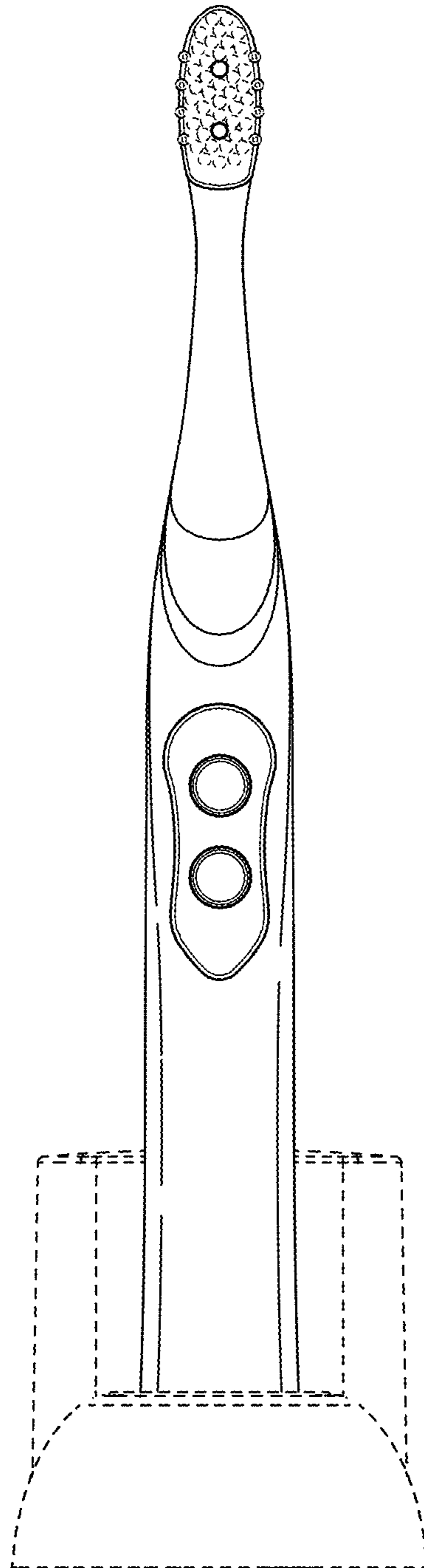


FIG. 2

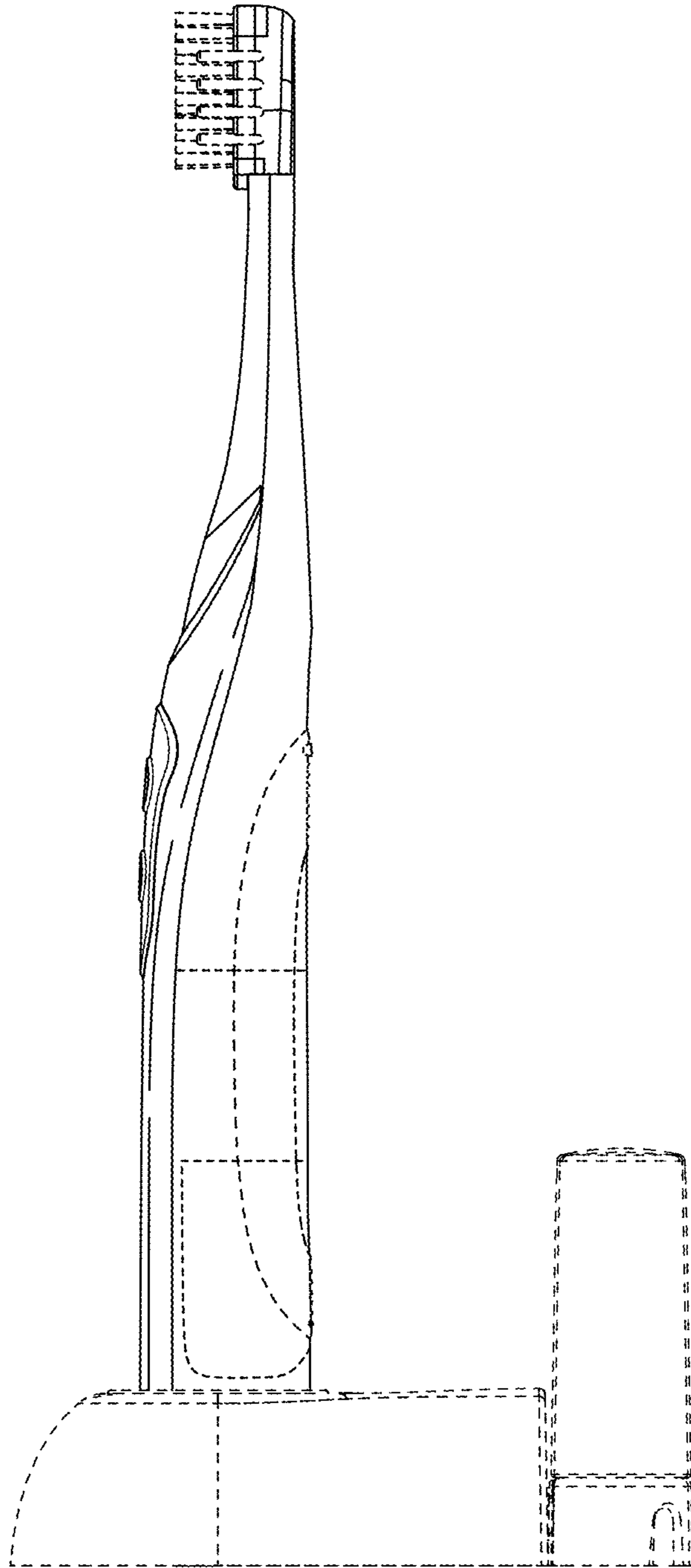


FIG. 3

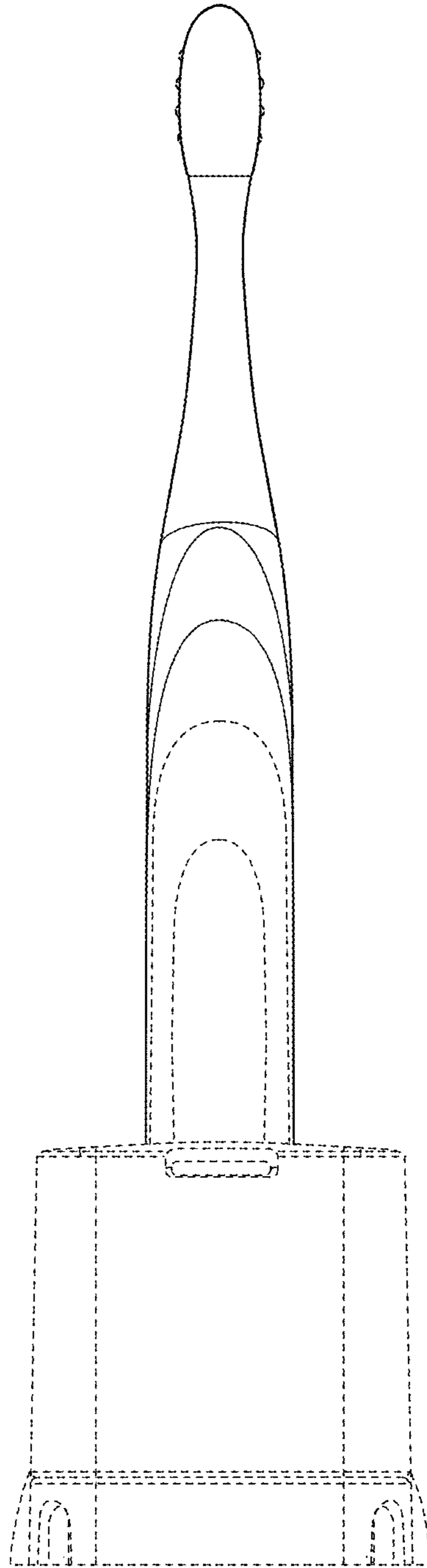


FIG. 4

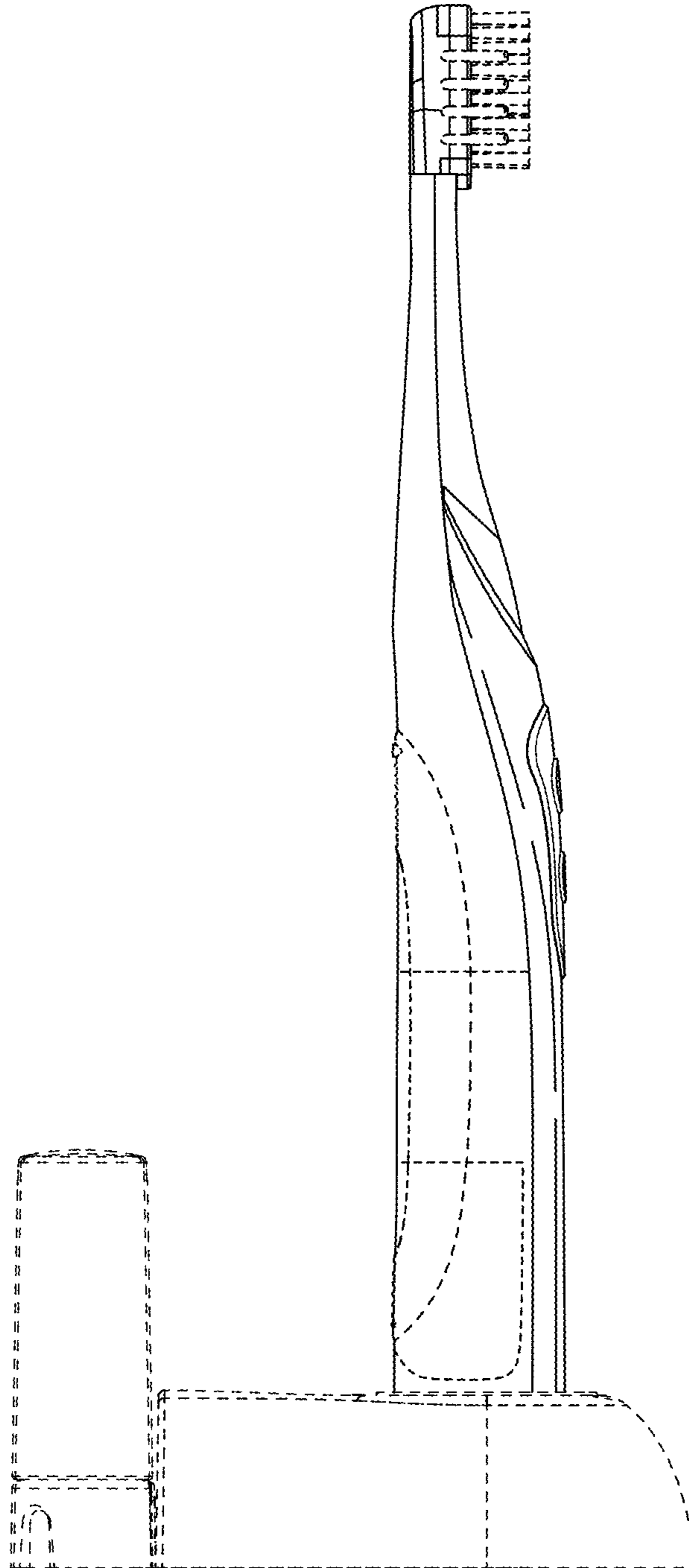


FIG. 5

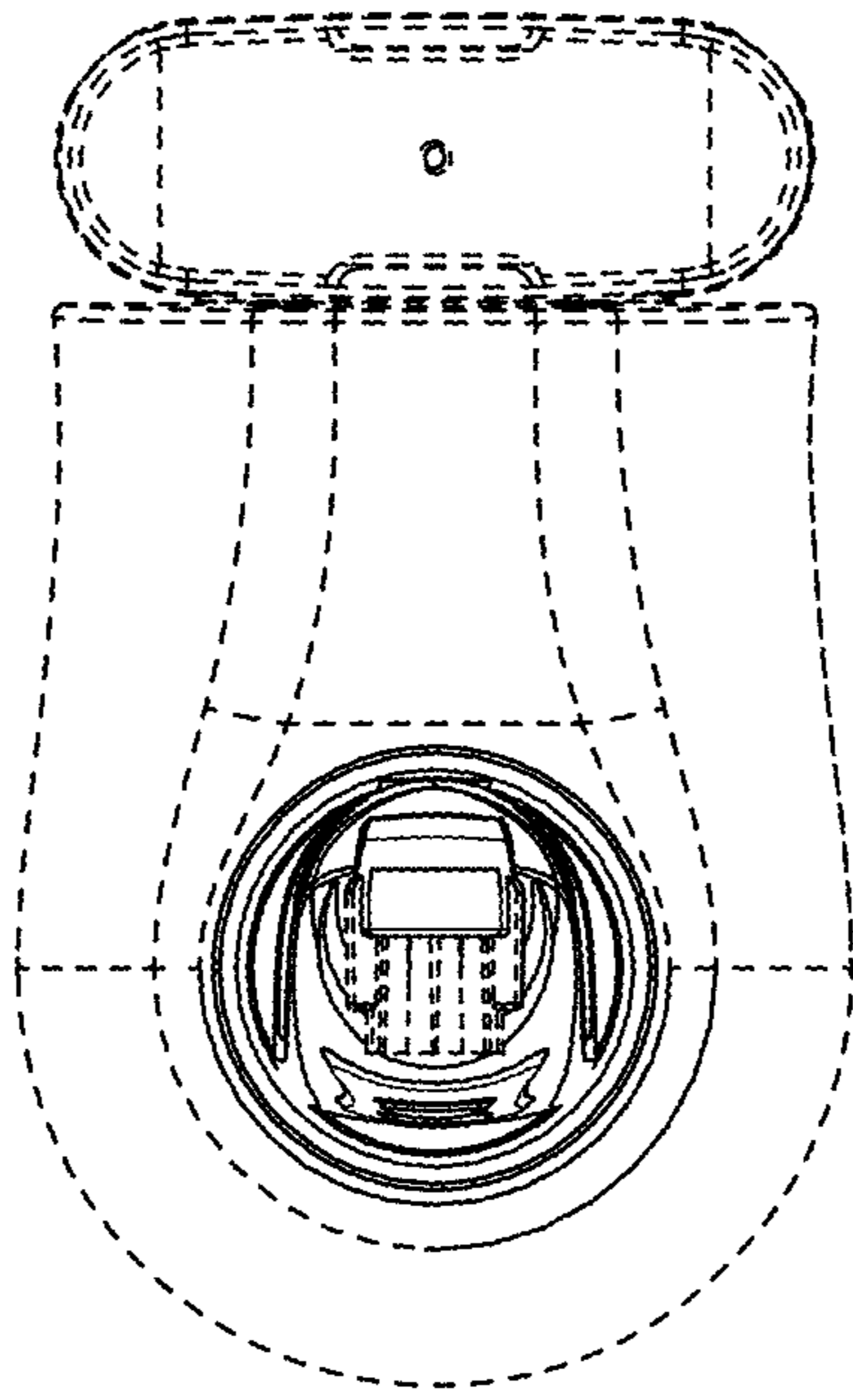


FIG. 6

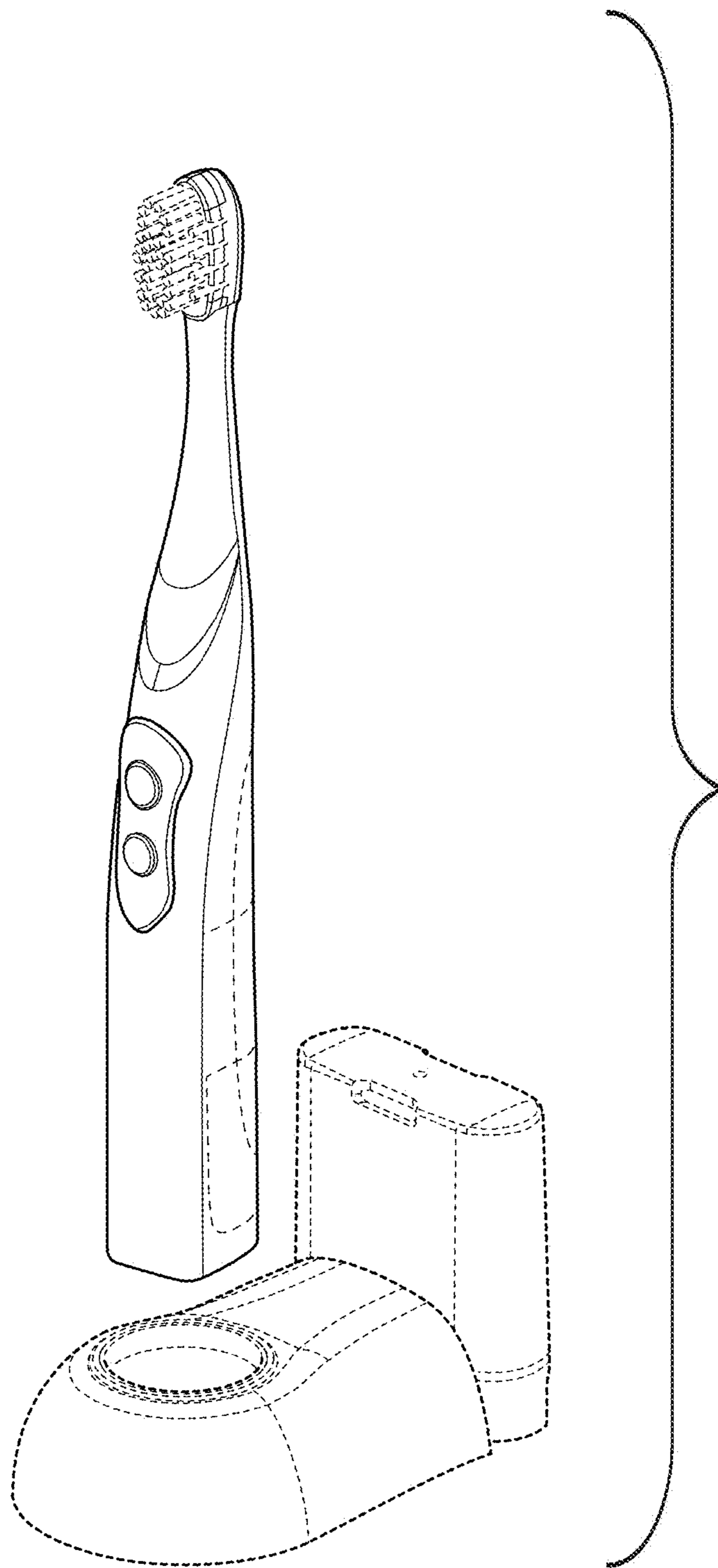


FIG. 7

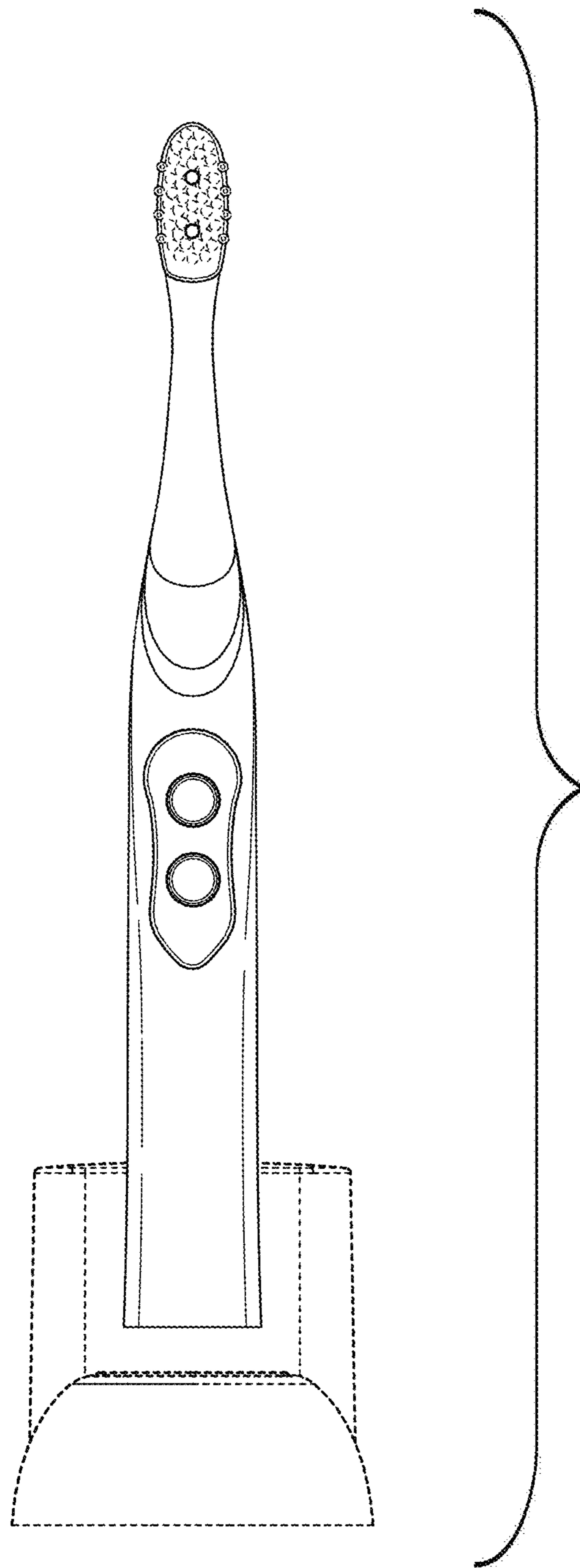


FIG. 8

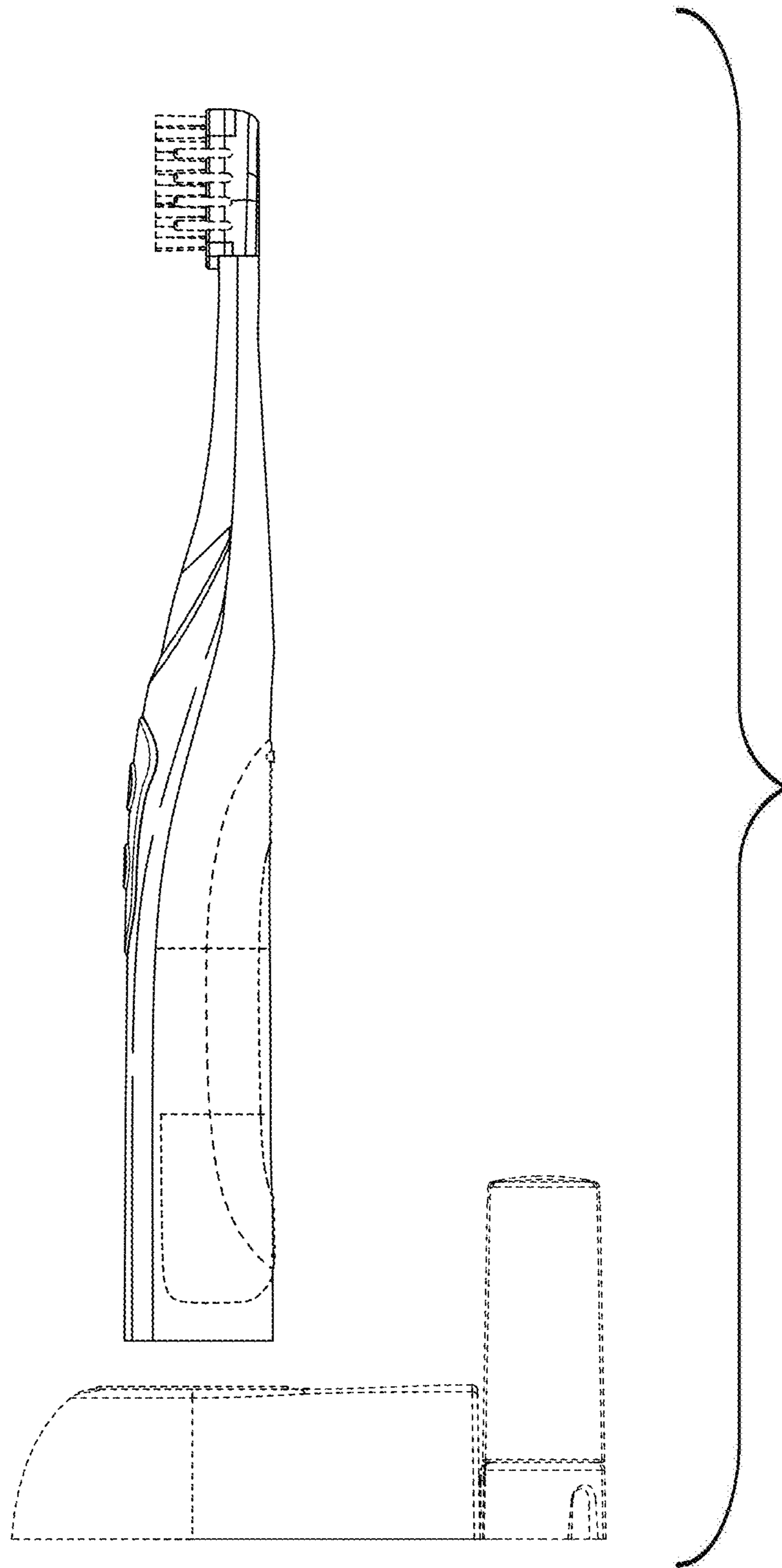


FIG. 9

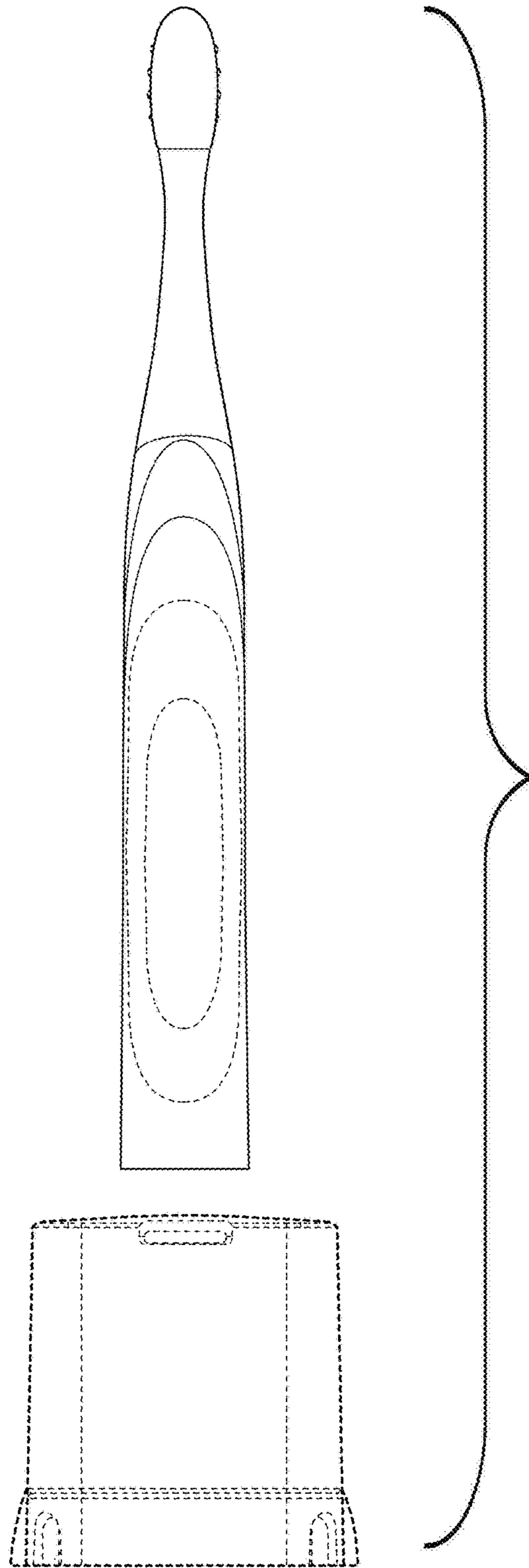


FIG. 10

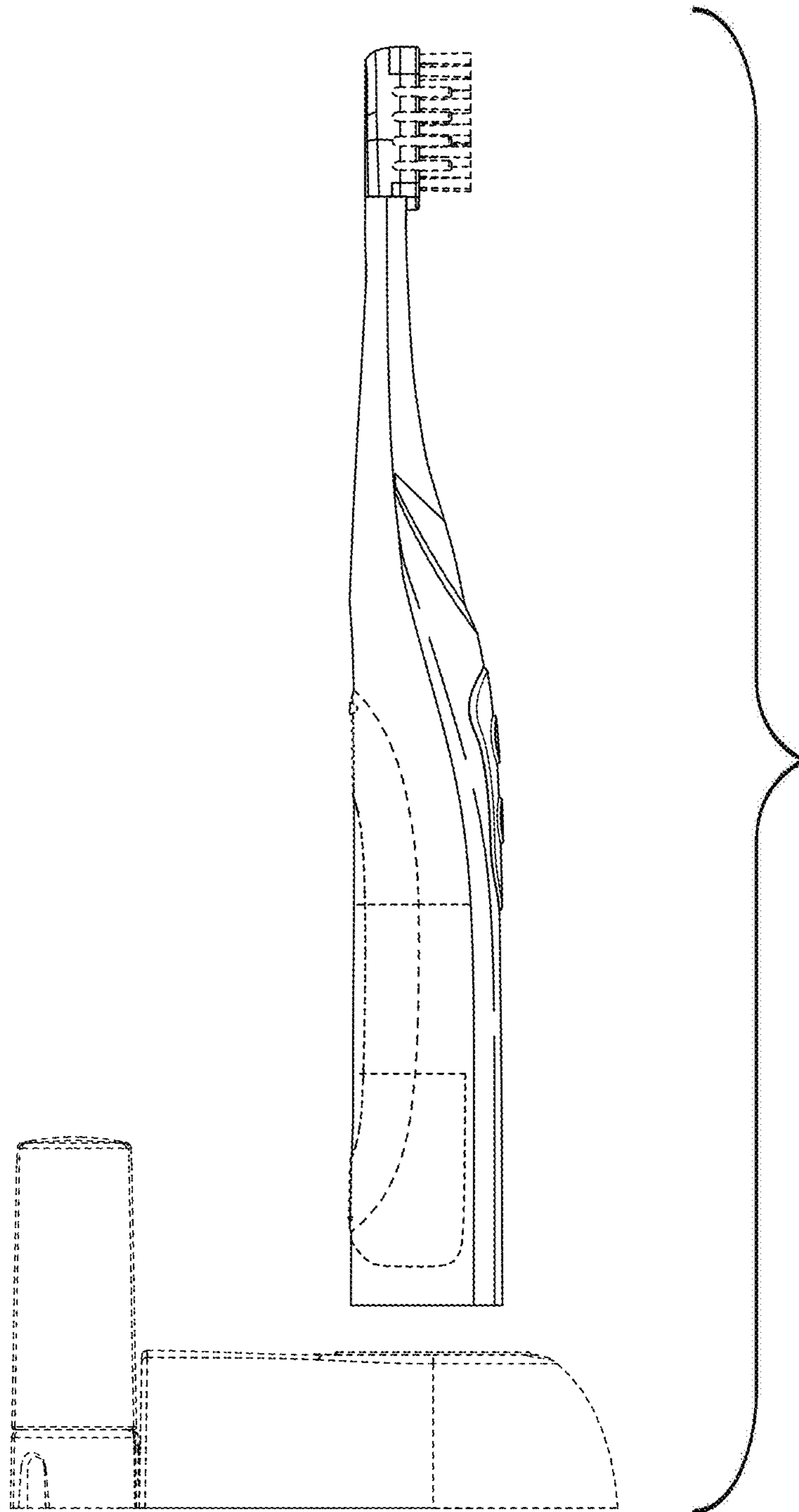


FIG. 11

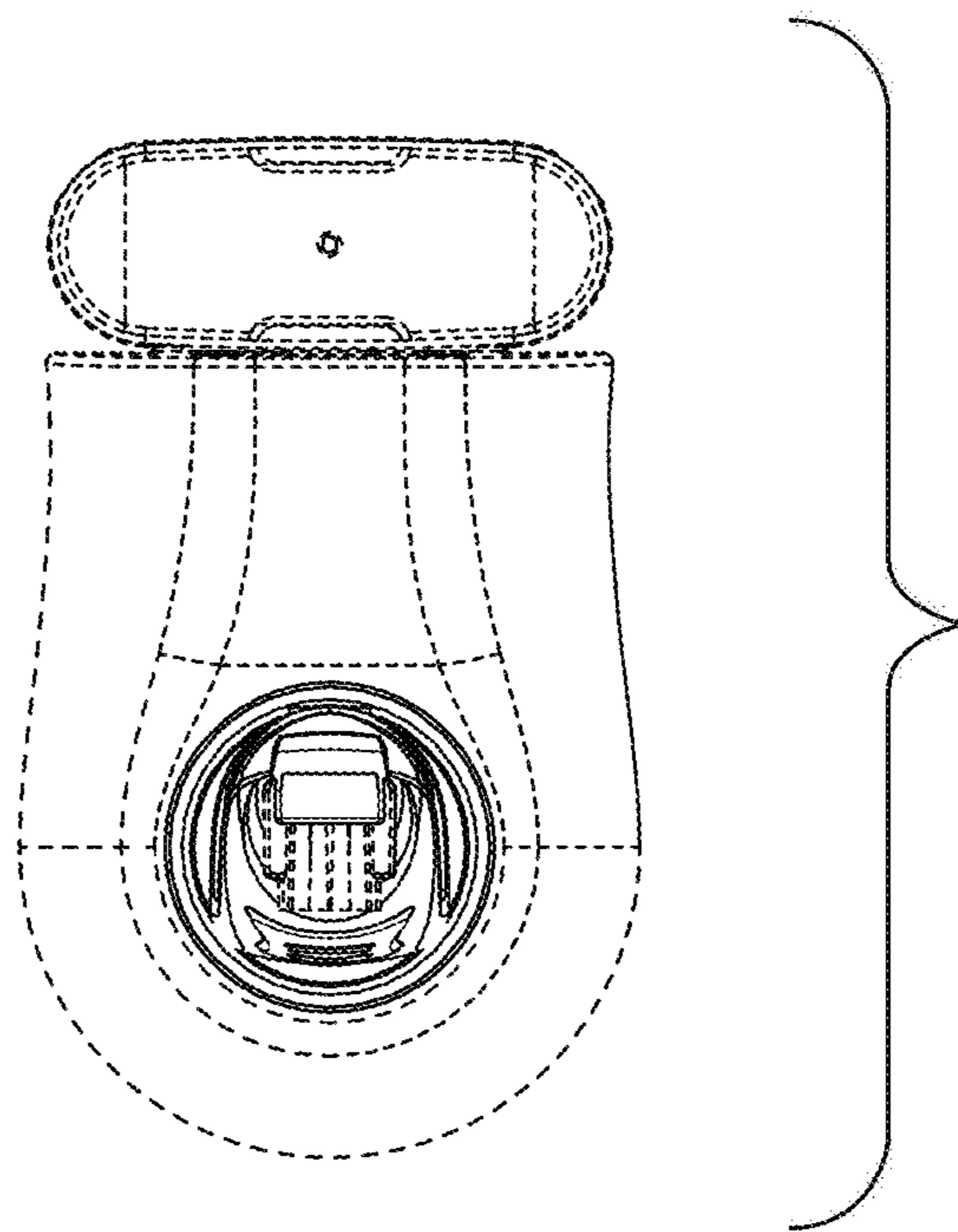


FIG. 12

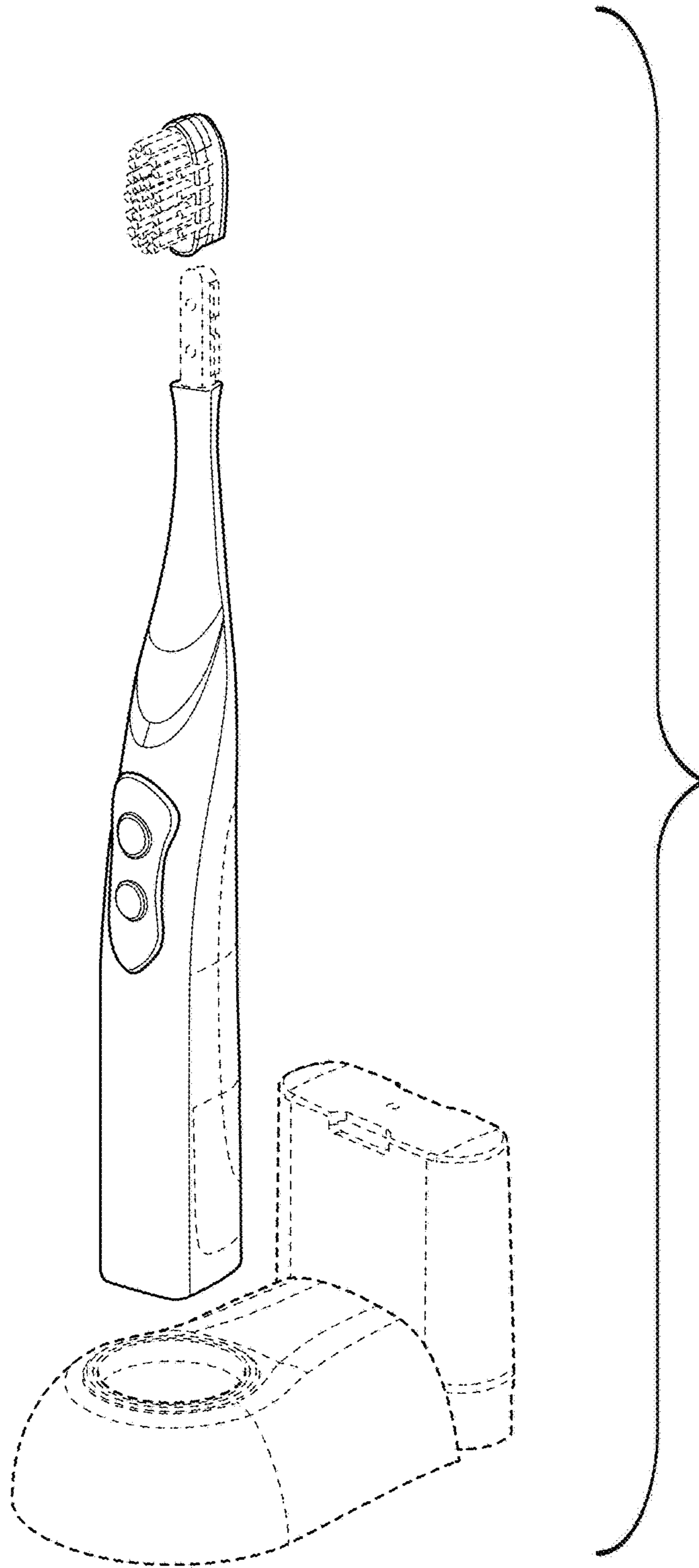


FIG. 13

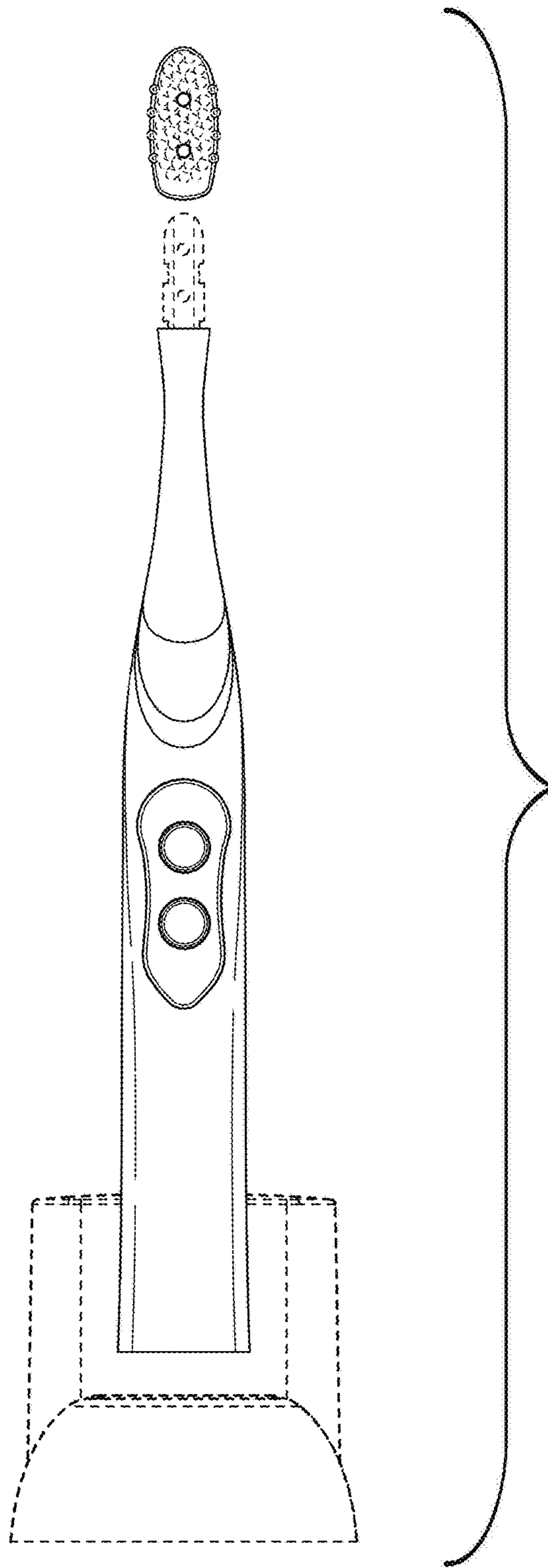


FIG. 14

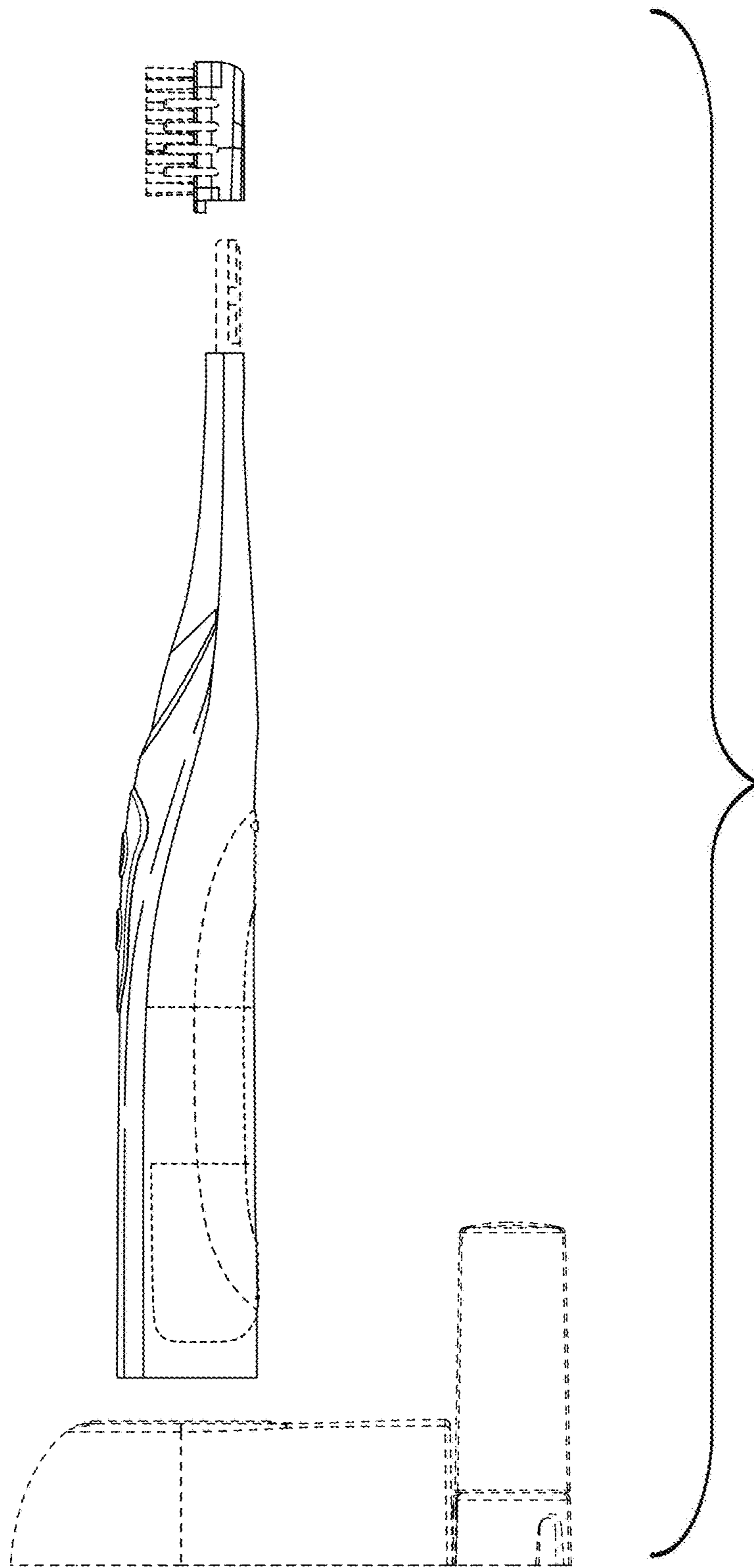


FIG. 15

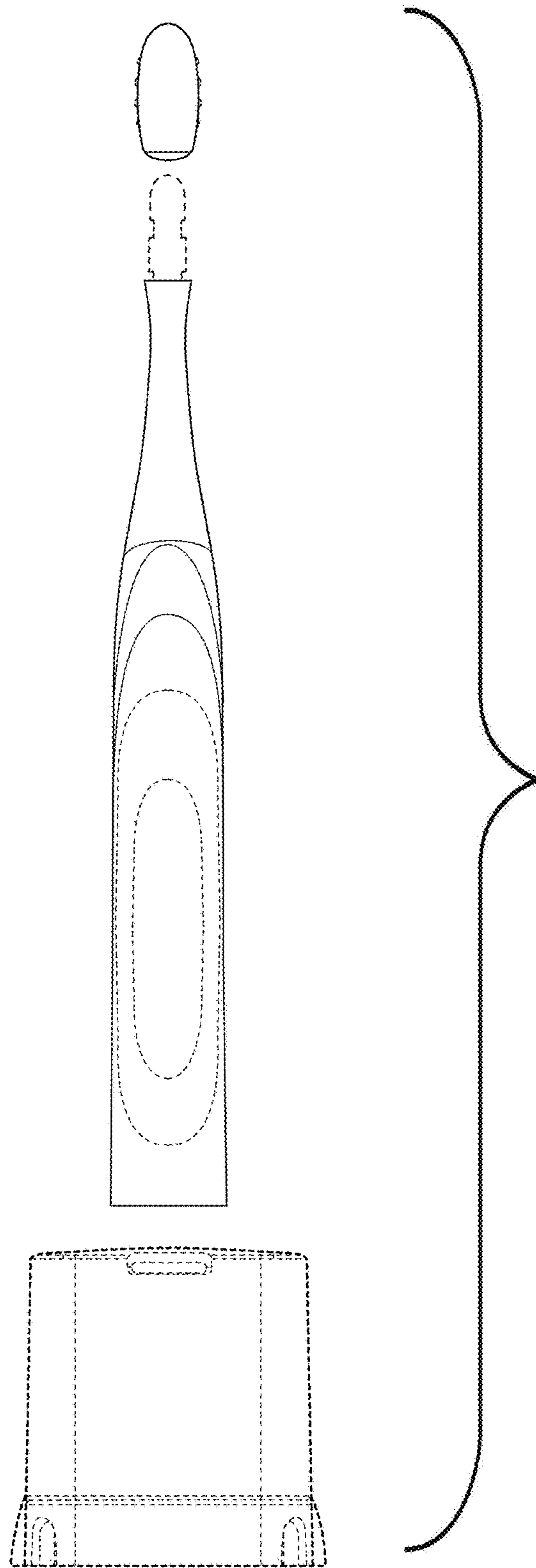


FIG. 16

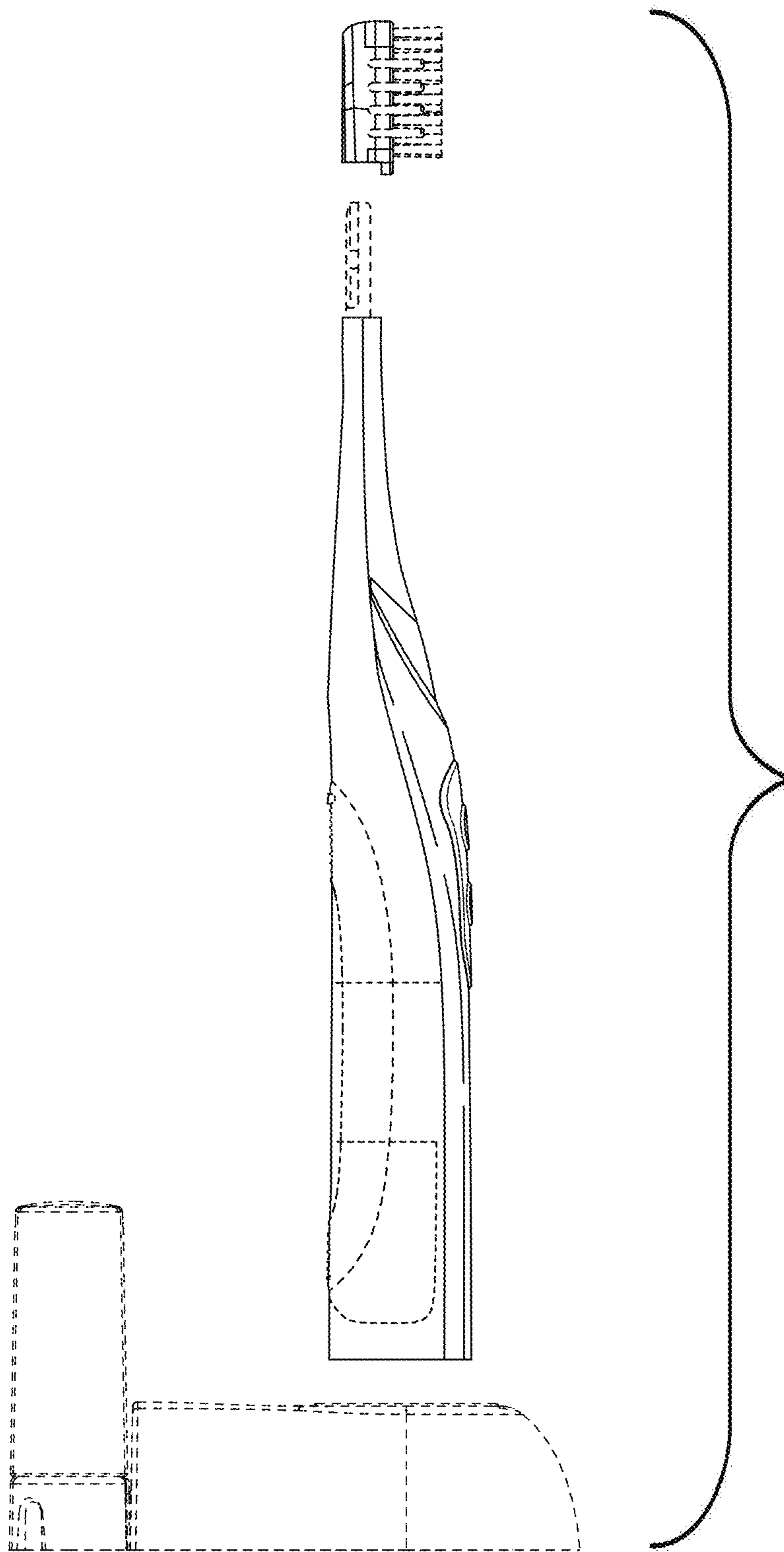


FIG. 17

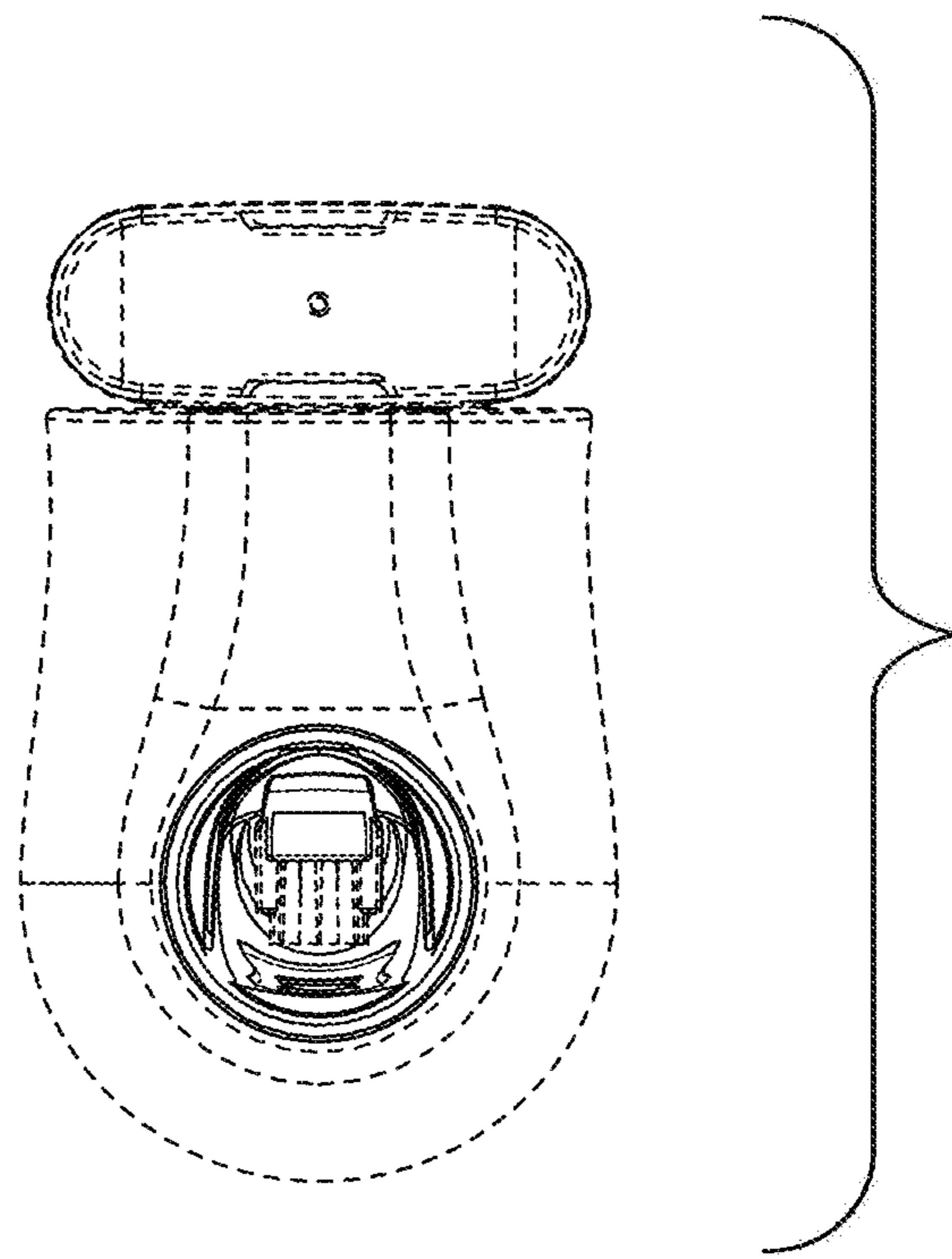


FIG. 18