



US00D787188S

(12) **United States Design Patent** (10) **Patent No.:** **US D787,188 S**
Holtz (45) **Date of Patent:** **** May 23, 2017**

(54) **STRAP FOR A BAG OR OTHER WEARABLE PACK**

(71) Applicant: **Melissa Holtz**, Westport, CT (US)

(72) Inventor: **Melissa Holtz**, Westport, CT (US)

(**) Term: **15 Years**

(21) Appl. No.: **29/538,444**

(22) Filed: **Sep. 3, 2015**

(51) **LOC (10) Cl.** **03-01**

(52) **U.S. Cl.**
USPC **D3/318**

(58) **Field of Classification Search**
USPC **D3/318, 327**

(Continued)

(56) **References Cited**

U.S. PATENT DOCUMENTS

4,936,495 A * 6/1990 Van de Pol A45F 3/04
112/440
5,127,536 A * 7/1992 Cohen A45C 3/04
150/102

(Continued)

OTHER PUBLICATIONS

Melissa Holtz, *Melisine online submission*, New York's Next Top Makers (Sep. 4, 2014).

Primary Examiner — Holly Baynham

(74) *Attorney, Agent, or Firm* — Covington & Burling LLP

(57) **CLAIM**

The ornamental design for a strap for a bag or other wearable pack, as shown and described.

DESCRIPTION

FIG 1 is a front perspective view of an embodiment of a continuous strap for a bag or other wearable pack, showing

the novel design in the context of the bag with the strap pulled into two identically sized loops through the back side of the bag and with the strap lying flat against the front side of the bag.

FIG. 2 is a back perspective view of the strap for the bag of FIG. 1, wherein the strap is pulled into two identically sized loops through the back side of the bag and with the strap lying flat against the front side of the bag.

FIG. 3 is a back perspective view of the strap for the bag of FIG. 1, wherein the top of the bag is open and the strap is pulled into two identically sized loops through the back side of the bag and with the strap lying flat against the front side of the bag.

FIG. 4 is a front perspective view of the strap for the bag of FIG. 1, wherein the top of the bag is open and the strap is pulled into two identically sized loops through the back side of the bag and with the strap lying flat against the front side of the bag.

FIG. 5 is a front perspective view of a second embodiment of a continuous strap for a bag or other wearable pack, showing the novel design in the context of the bag with the strap pulled taut to form two identically sized small top loops.

FIG. 6 is a back perspective view of the strap for the bag of FIG. 5, wherein the strap is in a relaxed state and the strap is pulled to form two small top loops.

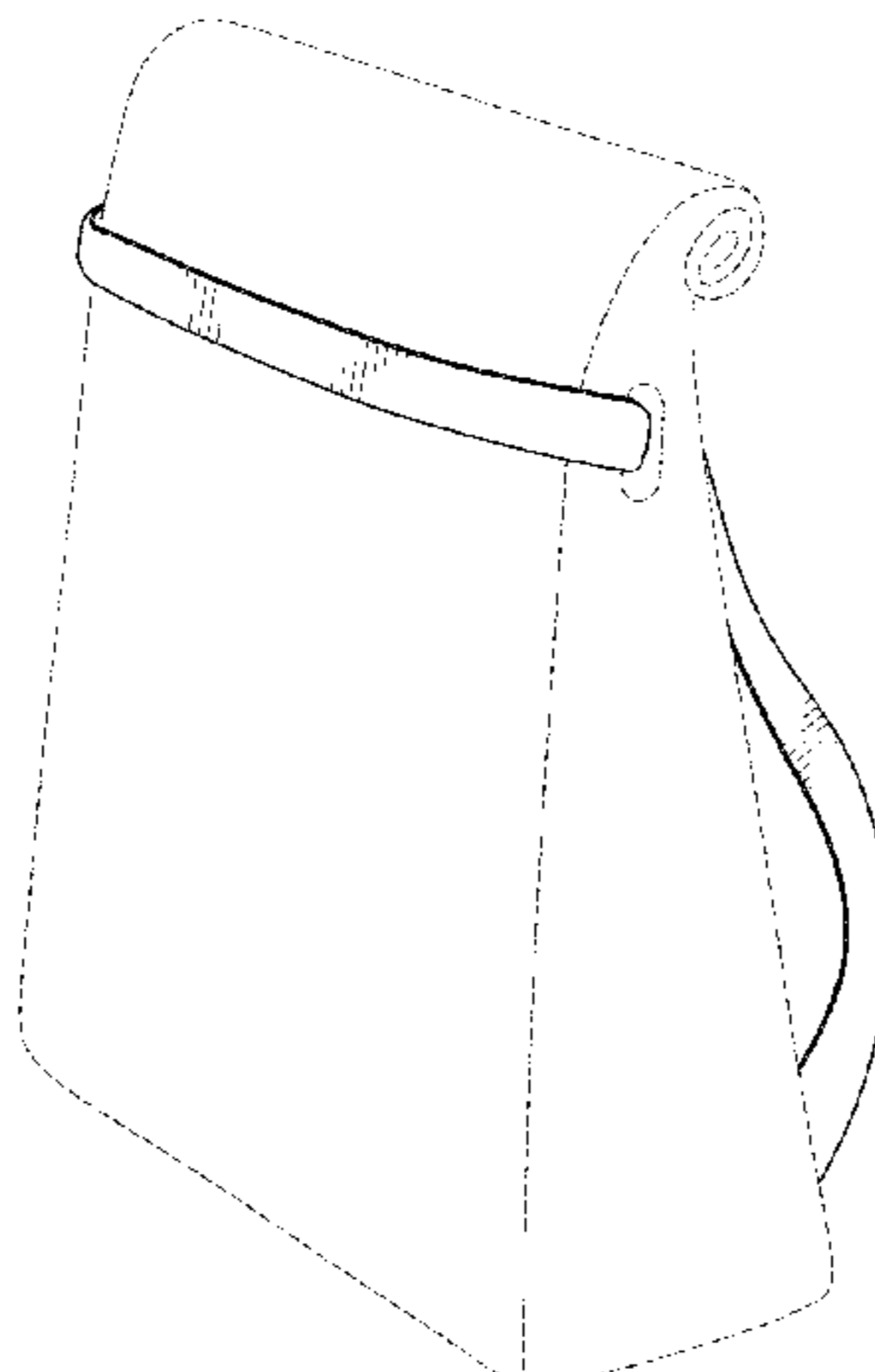
FIG. 7 is a back perspective view of the strap for the bag of FIG. 5, wherein the strap is pulled to form two identically sized loops through the back side of the bag.

FIG. 8 is a bottom perspective view of the strap for the bag of FIG. 5, wherein the strap is in a relaxed state, the strap is pulled to form two small top loops, and the strap is pulled through a tunnel through the bottom of the bag; and,

FIG. 9 is a bottom perspective view of a continuous strap for a bag or other wearable pack, showing the novel design in the context of the bag wherein the strap is in a relaxed state, the strap is pulled to form two small top loops, and the strap runs along the exterior of the bottom of the bag.

The broken lines in the figures are for the purposes of illustrating environment and form no part of the claimed design.

1 Claim, 9 Drawing Sheets



(58) **Field of Classification Search**

CPC ... A45C 13/36; A45C 7/00; A45F 3/04; A45F
4/02

See application file for complete search history.

(56) **References Cited**

U.S. PATENT DOCUMENTS

D535,820	S *	1/2007	Kamiya	D3/246
D572,472	S *	7/2008	Saconay-Duhart	D3/246
D623,860	S *	9/2010	Kope	D3/327
7,891,495	B2 *	2/2011	Nobles	A45C 13/00 206/320
8,092,087	B2 *	1/2012	Simhony	A45C 13/30 150/108
D673,772	S *	1/2013	Munson	D3/246
9,167,883	B2 *	10/2015	Demskey	A45F 3/14
9,439,501	B2 *	9/2016	Demskey	A45F 3/14
2015/0257517	A1	9/2015	Holtz		

* cited by examiner

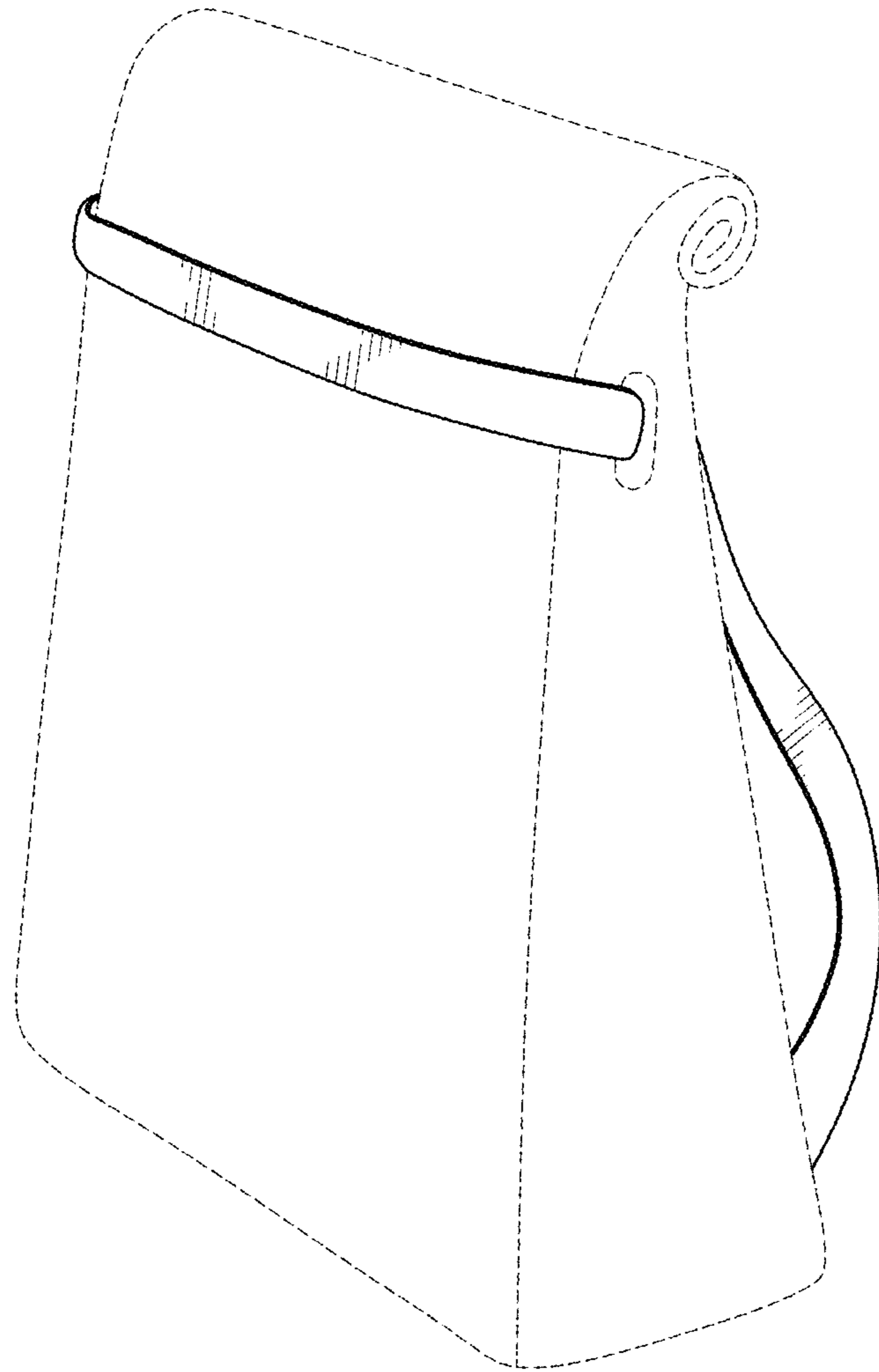


FIG. 1

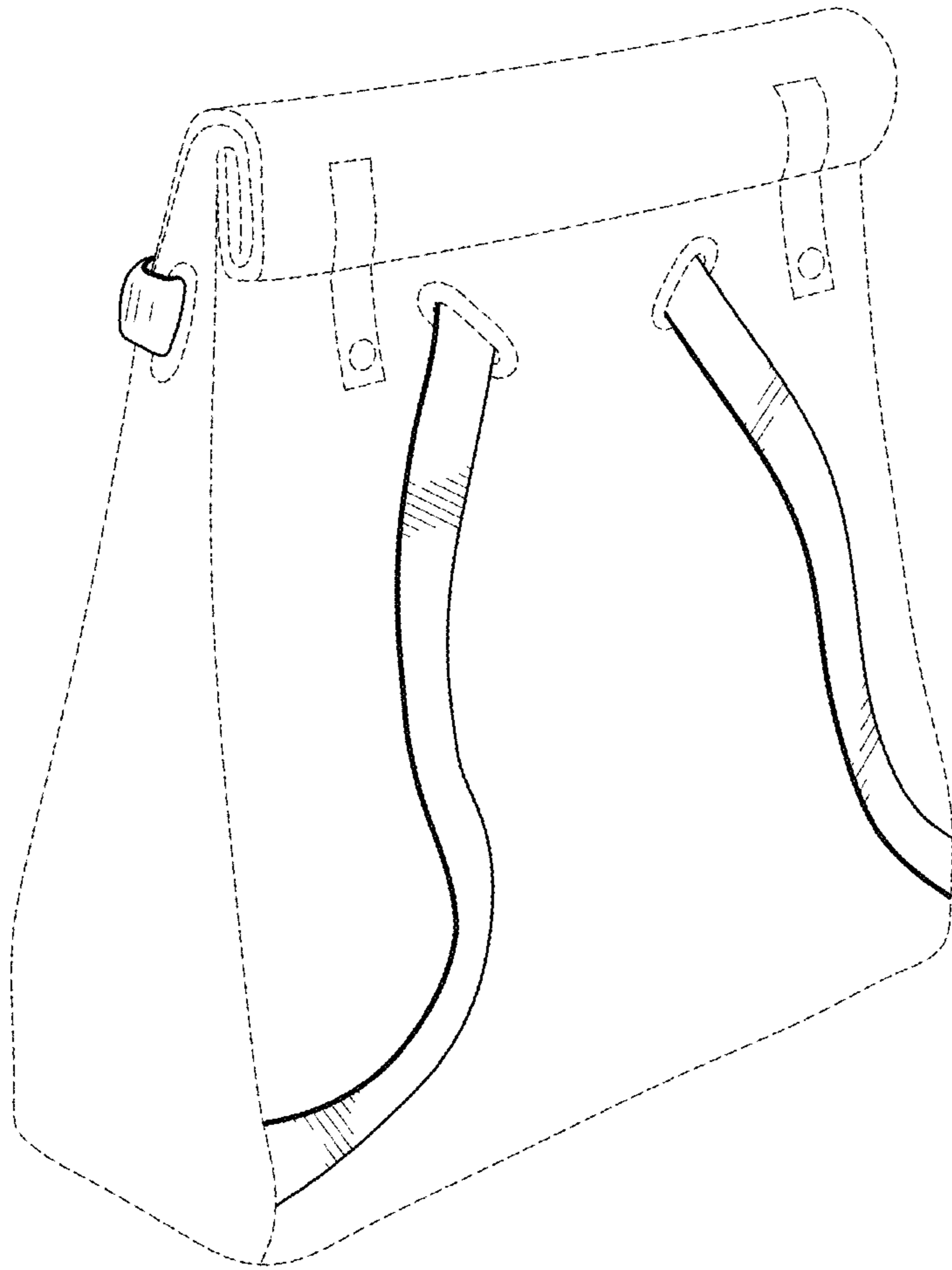


FIG. 2

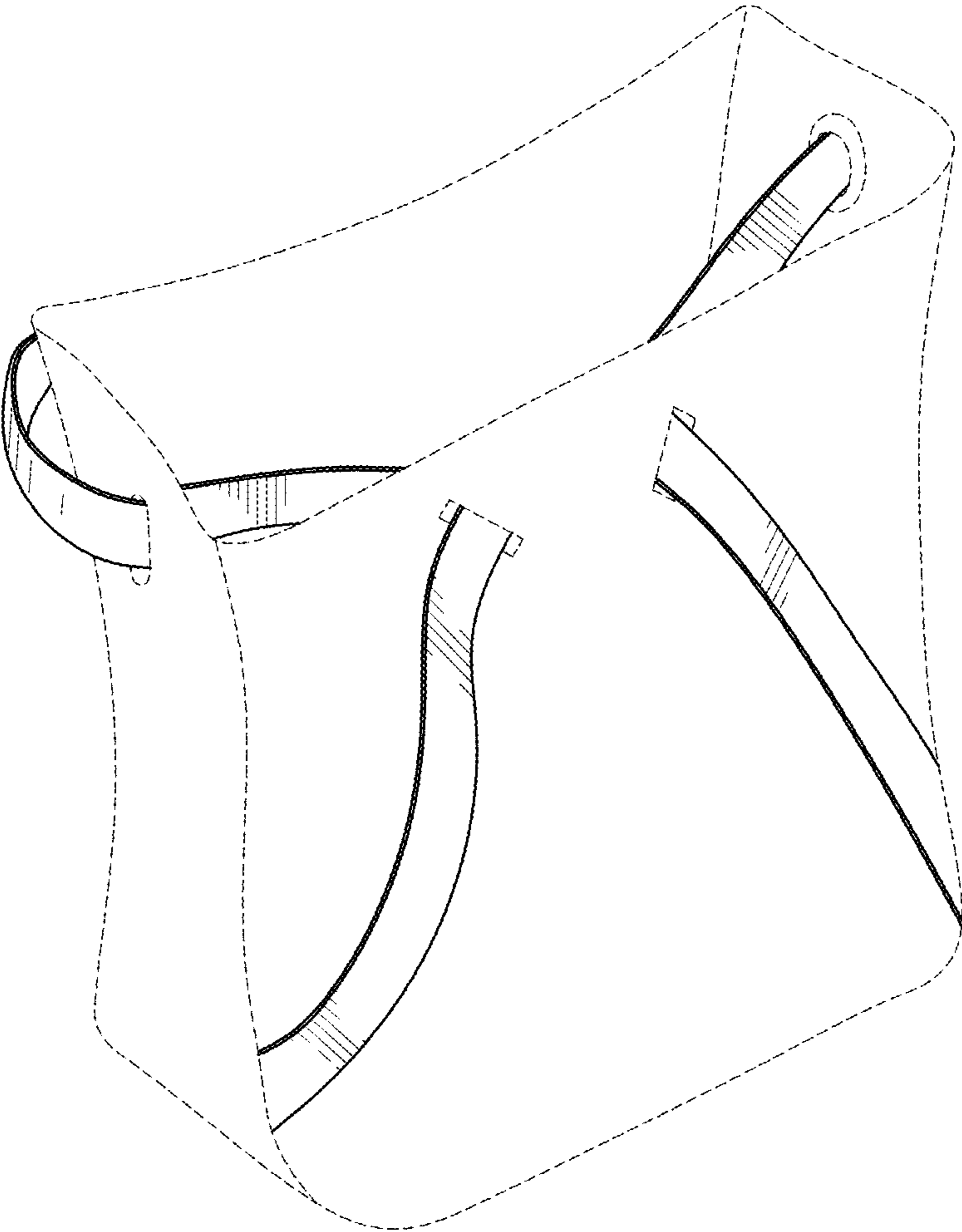


FIG. 3

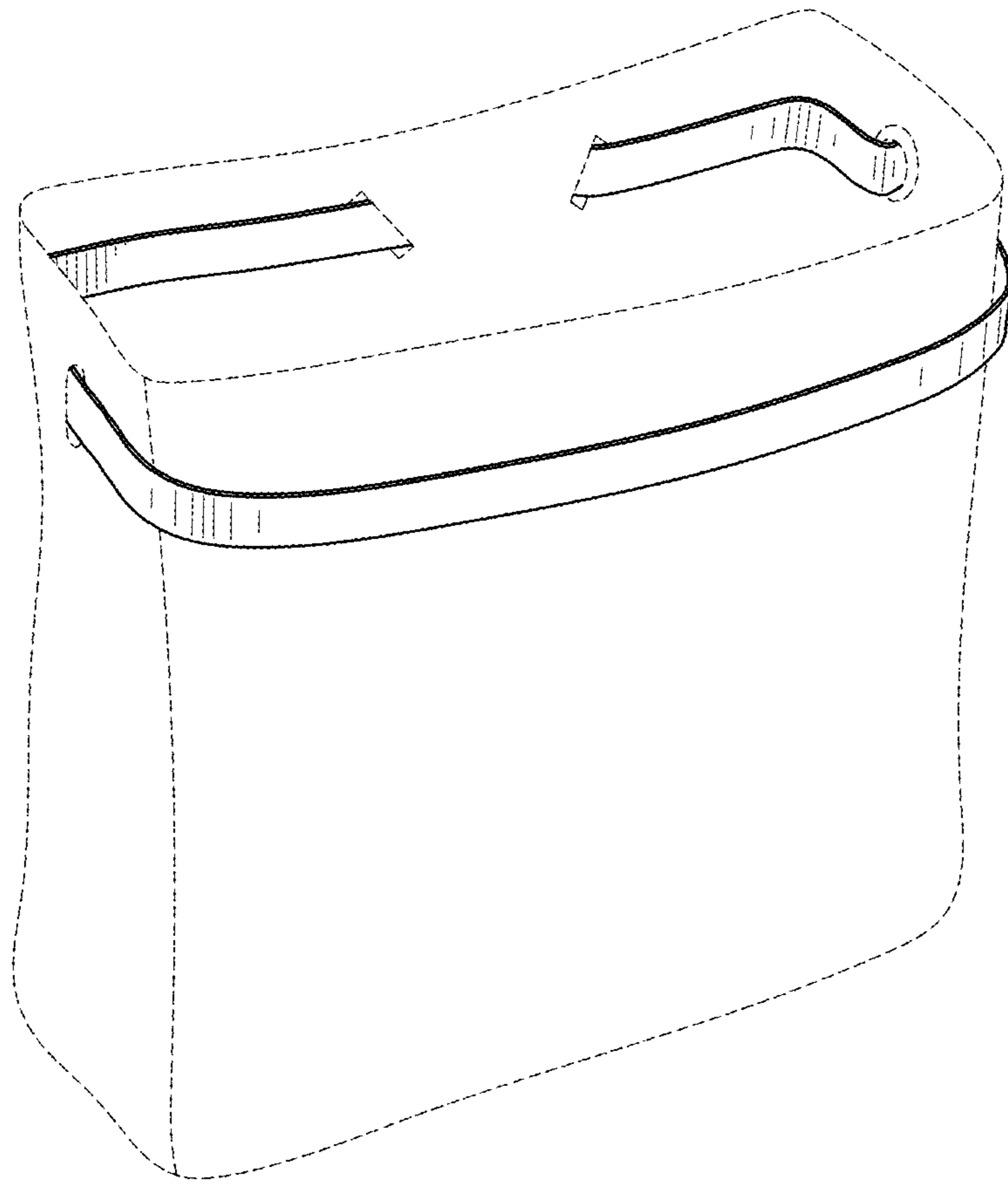


FIG. 4

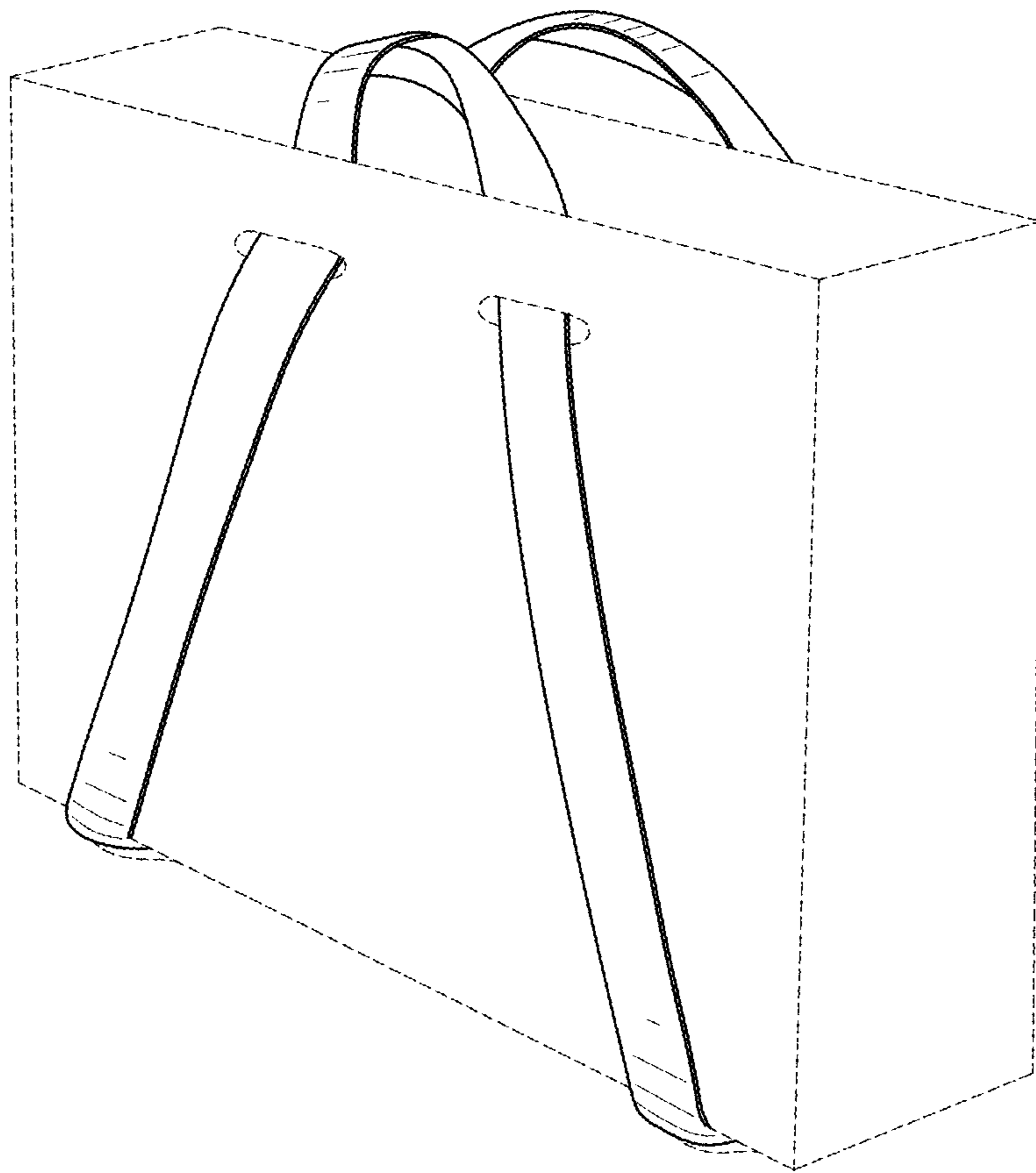


FIG. 5

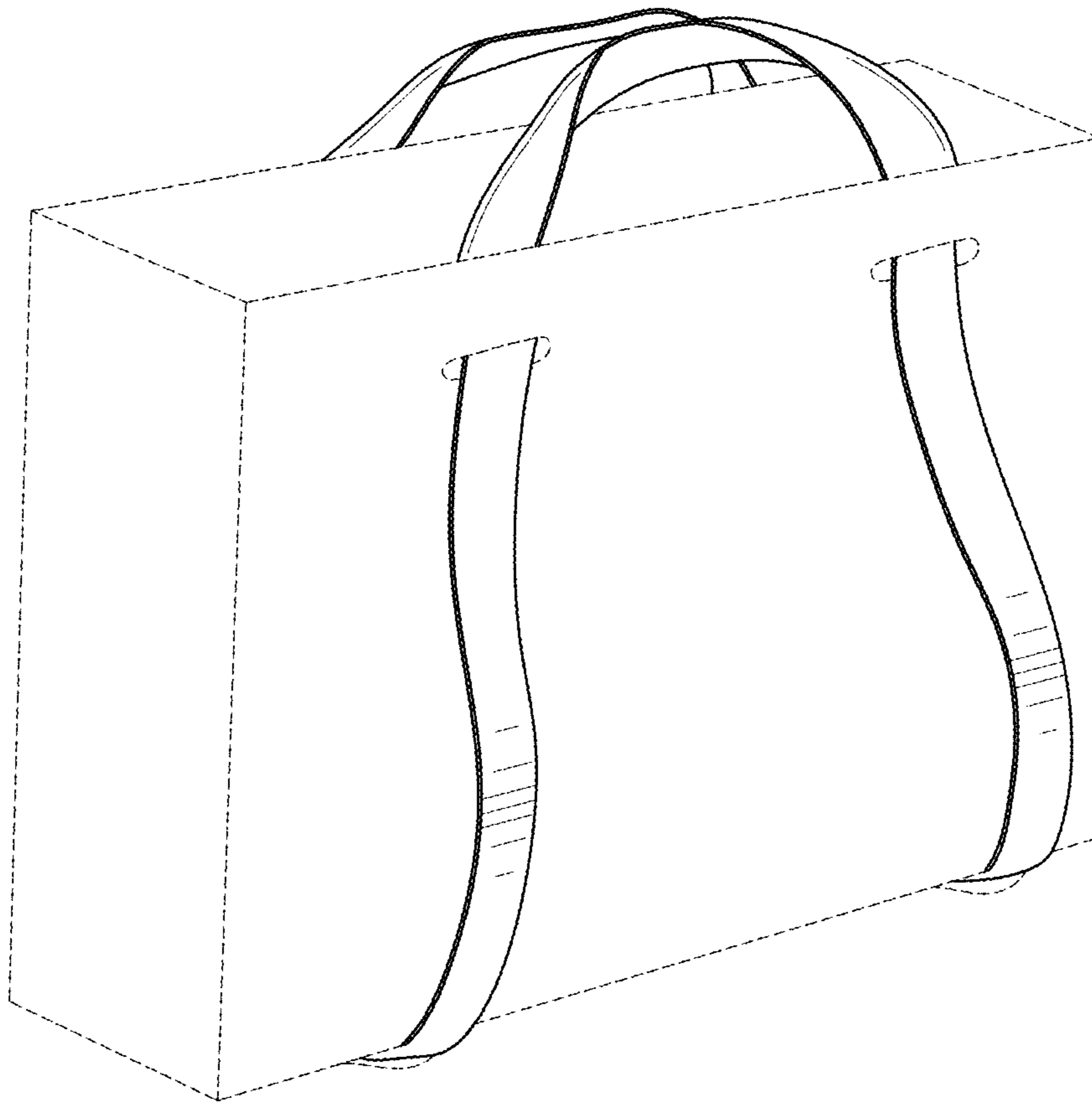


FIG. 6

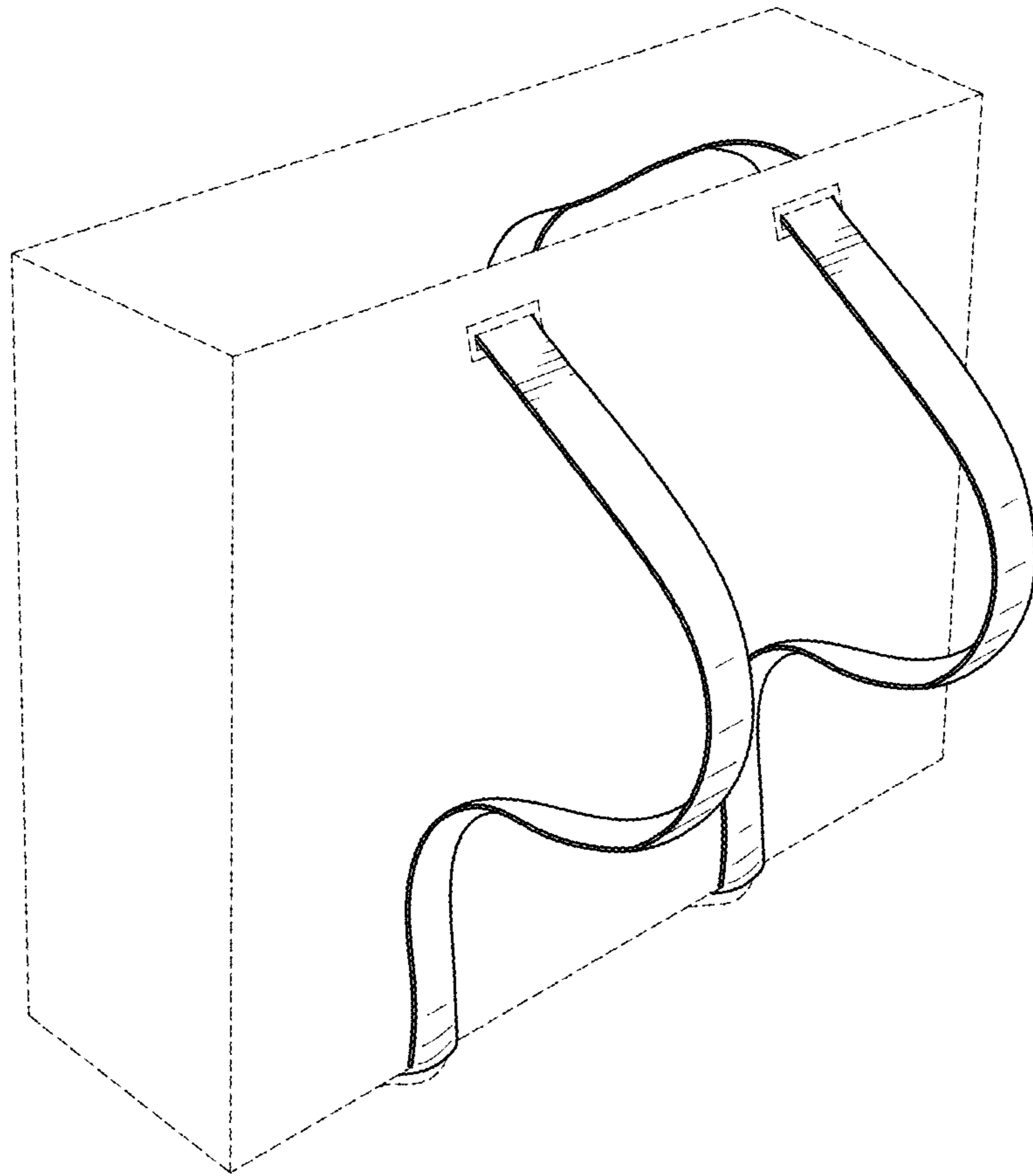


FIG. 7

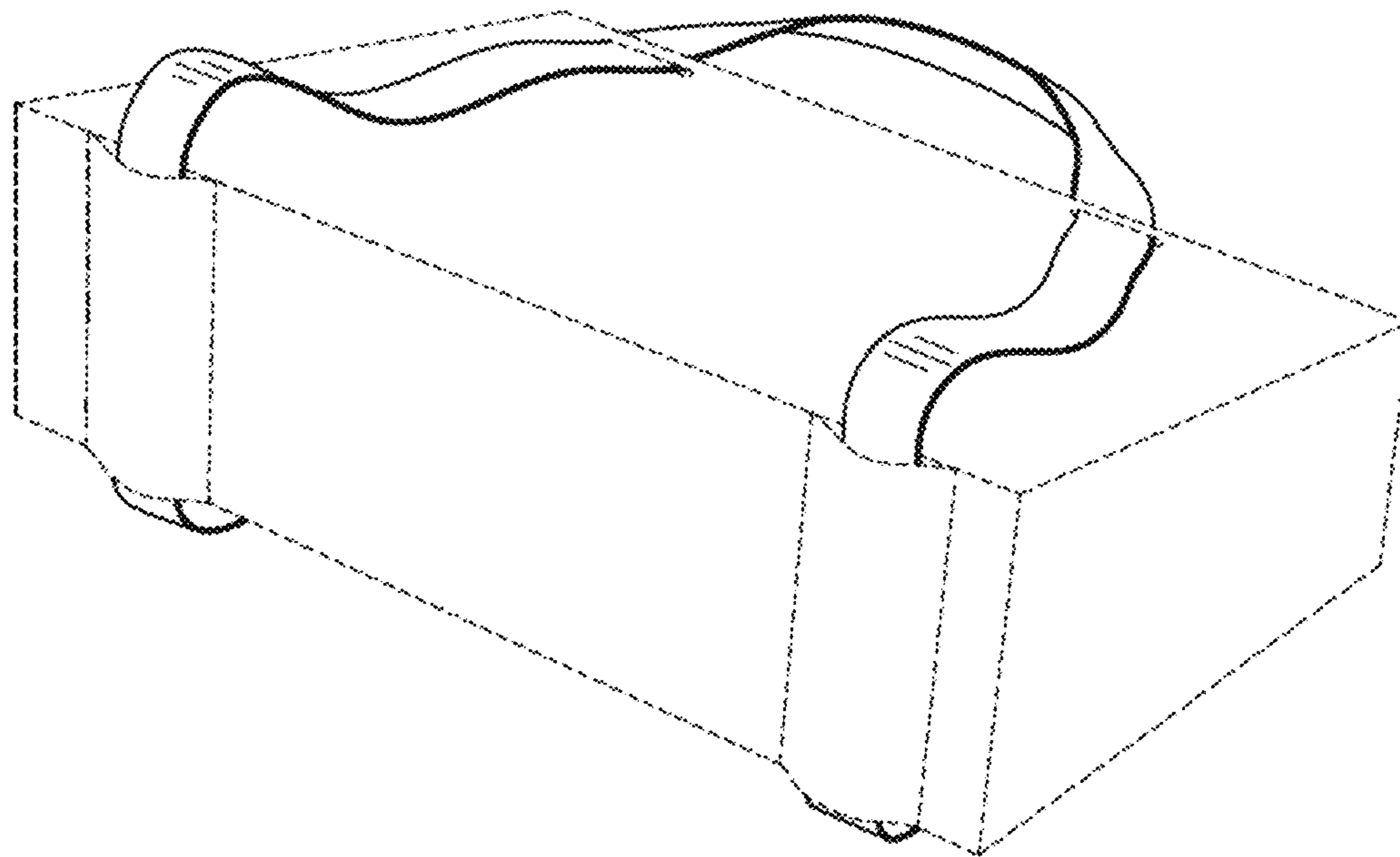


FIG. 8

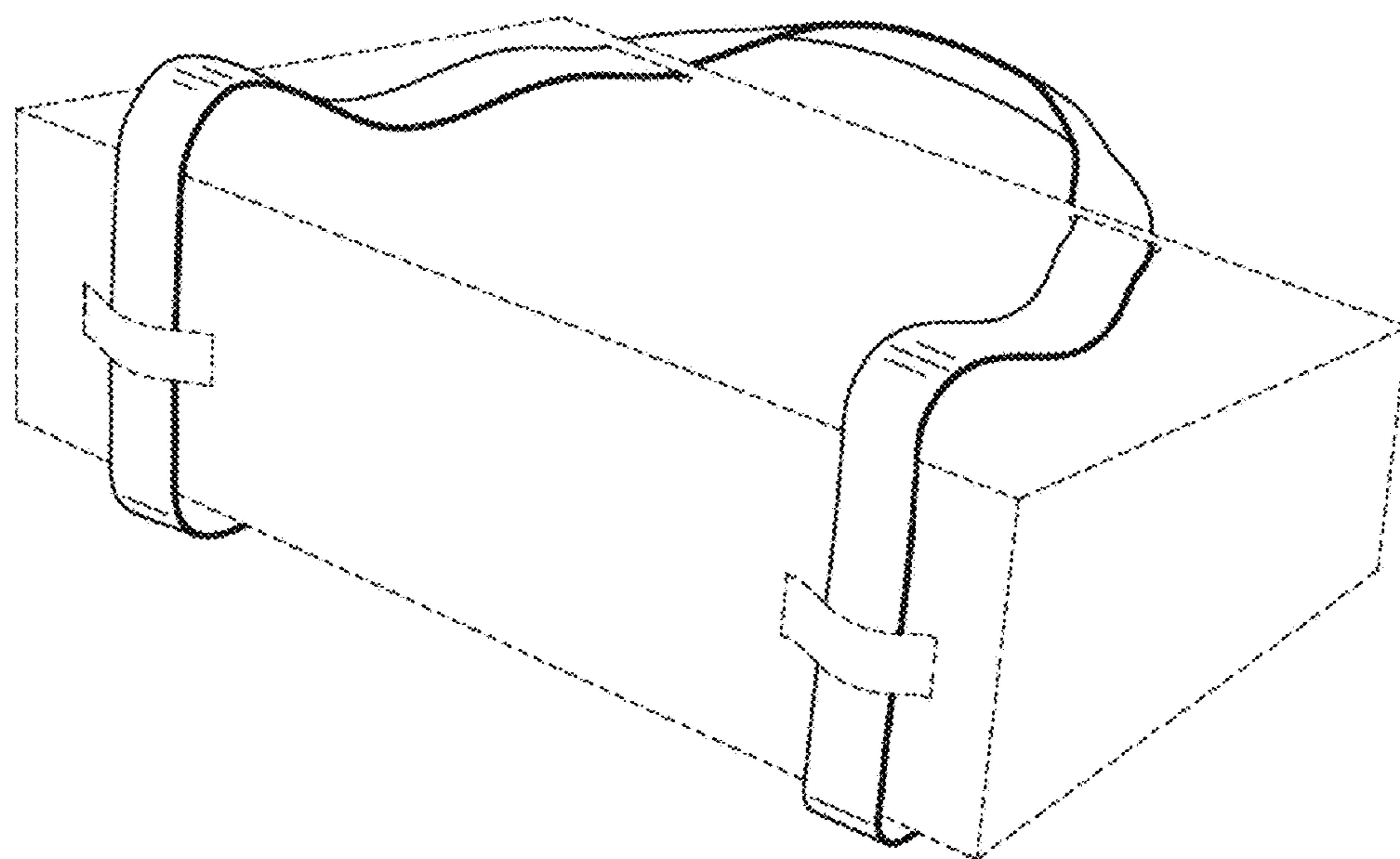


FIG. 9