



US00D787187S

(12) **United States Design Patent** (10) **Patent No.:** **US D787,187 S**  
**Seiders et al.** (45) **Date of Patent:** **\*\* \*May 23, 2017**

(54) **INSULATING DEVICE**

FOREIGN PATENT DOCUMENTS

(71) Applicant: **YETI Coolers, LLC**, Austin, TX (US)

BE 1015808 A6 9/2005  
CA 2300014 A1 8/2001

(72) Inventors: **Roy Joseph Seiders**, Austin, TX (US);  
**Christopher M. Keller**, Austin, TX (US)

(Continued)

(73) Assignee: **YETI Coolers, LLC**, Austin, TX (US)

OTHER PUBLICATIONS

(\*) Notice: This patent is subject to a terminal disclaimer.

Stopper Dry Bag, <http://www.seatosummit.com/products/display/181>, published date unknown, but prior to the filing date of the present application, Sea to Summit, United States.

(Continued)

(\*\*) Term: **14 Years**

*Primary Examiner* — Rosemary K Tarcza

*Assistant Examiner* — Christy Nemeth

(21) Appl. No.: **29/503,060**

(74) *Attorney, Agent, or Firm* — Banner & Witcoff, Ltd.

(22) Filed: **Sep. 23, 2014**

(51) **LOC (10) Cl.** ..... **03-01**

(52) **U.S. Cl.**  
USPC ..... **D3/318**

(58) **Field of Classification Search**

USPC ..... D7/601–607; D3/215–217, 221, 226,  
D3/232, 233, 245, 246, 267, 268, 273,  
D3/276, 283, 289, 315, 327, 318;  
220/592.01, 592.09, 592.1, 592.2, 592.25,  
220/694, 752, 760; D8/367, 373, 382,  
D8/383, 499

CPC A45C 3/10; A45C 11/00; A45C 11/20; A45C  
11/22; A45C 13/008; A45C 13/10; A45C  
13/30; A45C 2013/1007; A45C  
2013/1015; A45C 5/08; A45C 2200/00;

(Continued)

(56) **References Cited**

U.S. PATENT DOCUMENTS

457,133 A 8/1891 Rosback  
2,119,621 A 6/1938 Ferrone

(Continued)

(57) **CLAIM**

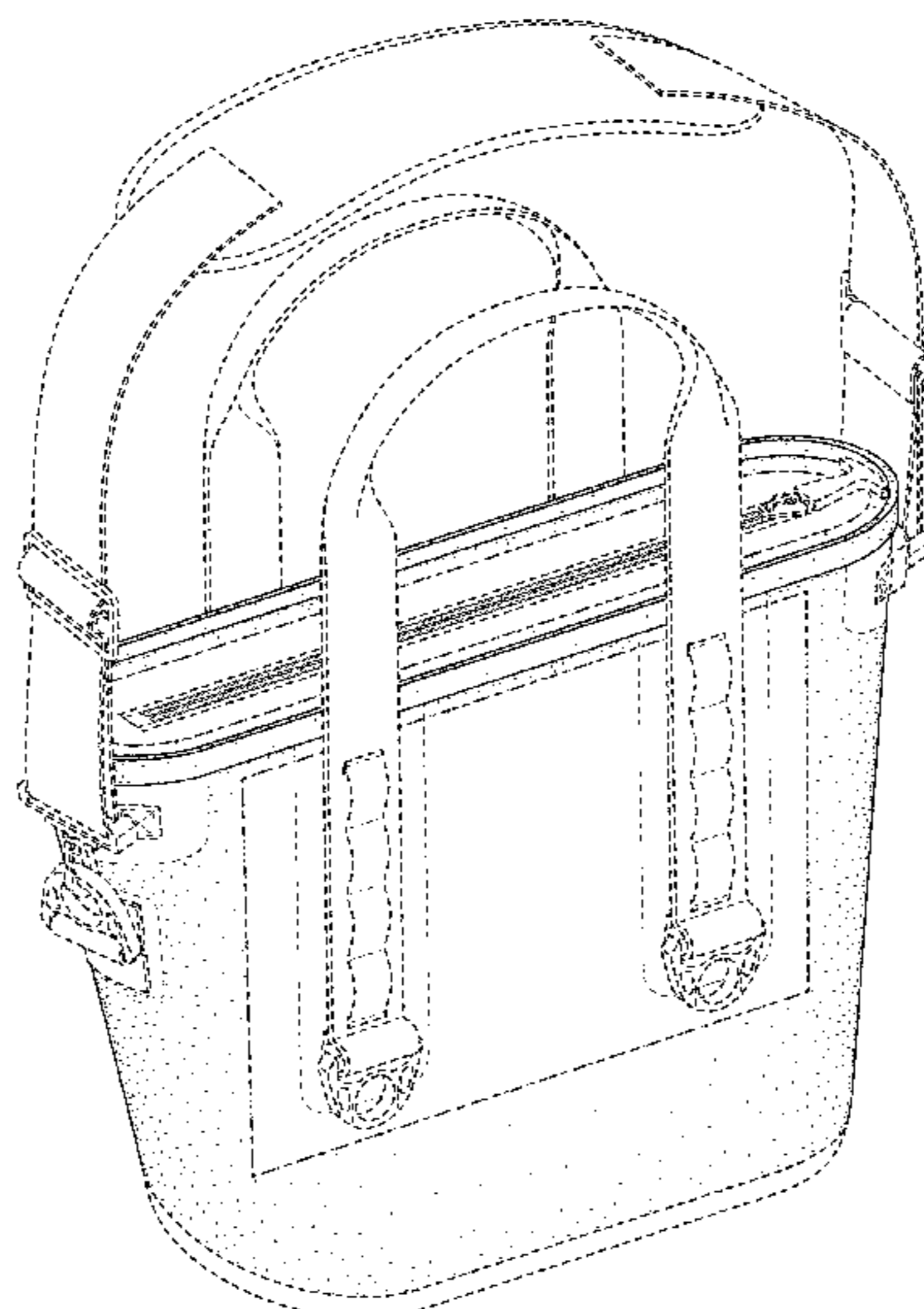
The ornamental design for an insulating device, as shown and described.

**DESCRIPTION**

FIG. 1 is a top, front, left perspective view of an insulating device showing our new design; FIG. 2 is a front view thereof; FIG. 3 is a rear view thereof; FIG. 4 is a right side view thereof; FIG. 5 is a left side view thereof; FIG. 6 is a top view thereof; FIG. 7 is a bottom view thereof; and, FIG. 8 is an enlarged view of the region identified by the number “8” in FIG. 3 thereof.

The dashed broken lines in the drawings illustrate unclaimed portions of the insulating device. The dash-dot broken lines in the drawings illustrate boundaries of the claimed design. The stipple shading in the drawings is a drawing convention to represent curvature; it does not illustrate material, surface ornamentation, or surface decoration. The enlarged view of the region identified by the number “8” in FIG. 3 depicts unclaimed portions of the insulating device, and forms no part of the claimed design.

**1 Claim, 6 Drawing Sheets**



(58) **Field of Classification Search**  
 CPC ..... A45C 2200/20; A63B 29/02; A63B 29/08;  
 A63B 29/028; A45F 3/00; A45F 3/02;  
 A45F 3/14; A45F 2003/002; A45F  
 2003/142; A45F 5/10; A45F 2005/108;  
 A45F 2005/1013; B65D 33/00; B65D  
 33/105  
 See application file for complete search history.

(56) **References Cited**  
 U.S. PATENT DOCUMENTS

2,289,254 A	7/1942	Eagles	5,421,172 A	6/1995	Jones
2,522,381 A	9/1950	Kramer	5,447,764 A	9/1995	Langford
2,575,191 A	11/1951	Seipp	5,490,396 A	2/1996	Morris
2,633,223 A	3/1953	Zeamer	D371,052 S	6/1996	Melk
2,661,785 A	12/1953	Daust	5,529,217 A	6/1996	Siegel
2,954,891 A	10/1960	Imber	D373,515 S	9/1996	Melk
3,066,846 A	12/1962	Domigan	5,562,228 A	10/1996	Ericson
3,454,197 A	7/1969	Thompson	5,564,568 A	10/1996	Rankin, Sr.
3,814,288 A	6/1974	Westrich	5,569,401 A	10/1996	Gilliland et al.
3,905,511 A	9/1975	Groendal	5,595,320 A	1/1997	Aghassipour
4,194,627 A	3/1980	Christensen	5,680,944 A	10/1997	Rueter
4,196,817 A	4/1980	Moser	5,680,958 A	10/1997	Mann et al.
4,197,890 A	4/1980	Simko	5,687,874 A	11/1997	Omori et al.
4,211,091 A	7/1980	Campbell	5,706,969 A	1/1998	Yamada et al.
4,248,366 A	2/1981	Christiansen	D394,553 S	5/1998	Lin
4,344,303 A	8/1982	Kelly, Jr.	5,758,513 A	6/1998	Smith
4,372,453 A	2/1983	Branscum	D397,273 S	8/1998	Collie
4,375,828 A	3/1983	Biddison	5,842,571 A	12/1998	Rausch
4,399,668 A	8/1983	Williamson	5,845,514 A	12/1998	Clarke et al.
4,468,933 A	9/1984	Christopher	5,848,734 A	12/1998	Melk
4,513,895 A	4/1985	Leslie	5,857,778 A	1/1999	Ells
4,537,313 A	8/1985	Workman	5,909,821 A	6/1999	Guridi
4,541,540 A *	9/1985	Gretz ..... A45C 11/20 220/523	5,913,448 A	6/1999	Mann et al.
D281,546 S *	12/1985	Bradshaw ..... D3/276	5,915,580 A	6/1999	Melk
4,571,338 A	2/1986	Okonogi et al.	5,931,583 A	8/1999	Collie
4,595,101 A	6/1986	Rivera	5,988,468 A	11/1999	Murdoch et al.
4,596,370 A	6/1986	Adkins	5,988,879 A	11/1999	Bredderman et al.
4,598,746 A	7/1986	Rabinowitz	6,019,245 A	2/2000	Foster et al.
4,679,242 A	7/1987	Brockhaus	6,027,249 A	2/2000	Bielinski
4,708,254 A	11/1987	Byrns	6,029,847 A	2/2000	Mahoney, Jr. et al.
4,746,028 A	5/1988	Bagg	6,059,140 A	5/2000	Hicks
4,759,077 A	7/1988	Leslie	6,065,873 A	5/2000	Fowler
4,765,476 A	8/1988	Lee	6,068,402 A	5/2000	Freese et al.
4,796,937 A	1/1989	Andrea	6,073,796 A	6/2000	Mogil
4,802,344 A	2/1989	Livingston et al.	6,082,589 A	7/2000	Ash et al.
4,802,602 A	2/1989	Evans et al.	6,082,896 A	7/2000	Pulli
4,812,054 A	3/1989	Kirkendall	6,092,266 A	7/2000	Lee
4,858,444 A	8/1989	Scott	6,128,915 A	10/2000	Wagner
4,867,214 A	9/1989	Fuller	6,145,715 A	11/2000	Slonim
4,886,183 A	12/1989	Fleming	6,220,473 B1	4/2001	Lehman et al.
4,941,603 A	7/1990	Creamer et al.	6,234,677 B1	5/2001	Mogil
4,984,906 A	1/1991	Little	6,253,570 B1	7/2001	Lustig
4,986,089 A	1/1991	Raab	6,276,579 B1	8/2001	DeLoach
4,989,418 A	2/1991	Hewlett	D447,667 S *	9/2001	Schneider ..... D3/287
5,005,679 A	4/1991	Hjelle	6,286,709 B1	9/2001	Hudson
5,042,664 A	8/1991	Shyr et al.	6,296,134 B1	10/2001	Cardinale
5,048,734 A	9/1991	Long	6,296,165 B1	10/2001	Mears
5,062,557 A	11/1991	Mahvi et al.	6,336,577 B1	1/2002	Harris et al.
5,190,376 A	3/1993	Book	D455,934 S	4/2002	Culp et al.
5,216,900 A	6/1993	Jones	6,409,066 B1	6/2002	Schneider et al.
5,221,016 A	6/1993	Karpal	6,422,032 B1	7/2002	Greene
5,237,838 A	8/1993	Merritt-Munson	D464,235 S	10/2002	Jeong
D340,387 S	10/1993	Melk	D465,134 S	11/2002	Joss
D340,840 S	11/1993	Melk	6,481,239 B2	11/2002	Hodosh et al.
5,269,368 A	12/1993	Schneider et al.	6,495,194 B2	12/2002	Sato et al.
D343,992 S	2/1994	Melk	6,505,479 B2	1/2003	Defelice et al.
5,297,870 A	3/1994	Weldon	6,511,695 B1	1/2003	Paquin et al.
5,313,807 A	5/1994	Owen	D472,431 S	4/2003	Spence, Jr.
5,325,991 A	7/1994	Williams	6,554,155 B1	4/2003	Beggins
5,354,131 A	10/1994	Mogil	D474,649 S	5/2003	Spence, Jr.
5,398,848 A	3/1995	Padamsee	6,582,124 B2	6/2003	Mogil
5,400,610 A	3/1995	Macedo	D476,481 S	7/2003	Gilbert
5,403,095 A	4/1995	Melk	6,595,687 B2	7/2003	Godshaw et al.
			D478,782 S	8/2003	Li
			6,604,649 B1	8/2003	Campi
			6,605,311 B2	8/2003	Villagran et al.
			6,619,447 B1	9/2003	Garcia, III et al.
			6,629,430 B2	10/2003	Mills et al.
			D482,241 S	11/2003	Tyler
			6,652,933 B2	11/2003	Hall
			6,655,543 B2	12/2003	Beuke
			D485,131 S	1/2004	Lanman et al.
			D485,732 S	1/2004	Lanman et al.
			D486,038 S	2/2004	Lanman et al.
			6,729,758 B1	5/2004	Carter
			D492,160 S	6/2004	Lanman et al.
			D497,518 S	10/2004	Bellofatto, Jr. et al.
			6,799,693 B2	10/2004	Meza
			6,874,356 B2	4/2005	Kornfeldt et al.



(56)

References Cited

U.S. PATENT DOCUMENTS

D506,645 S	6/2005	Bellofatto, Jr. et al.		D734,643 S	7/2015	Boroski	
D512,274 S	12/2005	Cabey		D734,992 S	7/2015	Boroski	
D515,362 S	2/2006	Chan		9,084,463 B2	7/2015	Merrill	
D517,801 S *	3/2006	Woo .....	D3/217	9,139,352 B2 *	9/2015	Seiders .....	B65D 81/3858
D520,306 S	5/2006	Peterson		9,146,051 B2	9/2015	Kamin et al.	
D523,243 S	6/2006	Nashmy		9,226,558 B2	1/2016	Armstrong	
D527,226 S	8/2006	Maldonado		9,254,022 B2	2/2016	Meldeau et al.	
7,153,025 B1	12/2006	Jackson et al.		9,254,023 B2	2/2016	Su et al.	
D534,771 S	1/2007	Zorn		9,265,318 B1	2/2016	Williams et al.	
7,162,890 B2	1/2007	Mogil et al.		9,271,553 B2	3/2016	Ponx	
D539,033 S *	3/2007	Cassegrain .....	D3/246	9,290,313 B2	3/2016	De Lesseux et al.	
7,201,285 B2	4/2007	Beggins		9,366,467 B2	6/2016	Kiedaisch et al.	
7,207,716 B2	4/2007	Buchanan et al.		2002/0197369 A1	12/2002	Modler	
7,219,814 B2	5/2007	Lown et al.		2003/0070447 A1	4/2003	Tanaka	
7,240,513 B1	7/2007	Conforti		2003/0080133 A1	5/2003	Butler	
7,264,134 B2	9/2007	Tulp		2003/0106895 A1	6/2003	Kalal	
D557,667 S	12/2007	Kawamura et al.		2003/0136702 A1	7/2003	Redzisz et al.	
7,302,810 B2	12/2007	McCroory		2003/0175394 A1	9/2003	Modler	
D560,102 S	1/2008	Sumter		2004/0004111 A1	1/2004	Cardinale	
7,313,927 B2	1/2008	Barker		2004/0028296 A1	2/2004	Meli	
7,344,028 B2	3/2008	Hanson		2004/0074936 A1	4/2004	McDonald	
D573,422 S	7/2008	Tagliati et al.		2004/0094589 A1	5/2004	Fricano	
D574,667 S	8/2008	Grabijas, III et al.		2004/0144783 A1	7/2004	Anderson et al.	
D578,401 S	10/2008	Perry et al.		2004/0164084 A1	8/2004	Cooper	
7,481,065 B2	1/2009	Krieger		2004/0237266 A1	12/2004	Wang	
D598,194 S	8/2009	Turvey et al.		2005/0016895 A1	1/2005	Glenn	
7,597,478 B2 *	10/2009	Pruchnicki .....	A45C 7/0077 224/578	2005/0045520 A1	3/2005	Johnson	
7,634,919 B2	12/2009	Bernhard, Jr. et al.		2005/0045521 A1	3/2005	Johnson et al.	
D607,697 S	1/2010	Whitlock et al.		2005/0196510 A1	9/2005	Walters	
D608,159 S	1/2010	Whitlock et al.		2005/0262871 A1	12/2005	Bailey-Weston	
7,682,080 B2 *	3/2010	Mogil .....	A45C 7/0077 383/110	2005/0263528 A1	12/2005	Maldonado et al.	
7,730,739 B2	6/2010	Fuchs		2005/0279124 A1	12/2005	Maldonado	
D618,966 S *	7/2010	Koehler .....	D7/607	2006/0007266 A1	1/2006	Silverbrook	
D619,423 S *	7/2010	Koehler .....	D7/607	2006/0102497 A1	5/2006	Wulf	
D619,854 S	7/2010	Koehler et al.		2006/0151533 A1	7/2006	Simunovic et al.	
D619,855 S *	7/2010	Koehler .....	D7/607	2006/0201979 A1	9/2006	Achilles	
D620,707 S *	8/2010	Mogil .....	D3/246	2006/0240159 A1	10/2006	Cash et al.	
7,775,388 B2	8/2010	Murrer, III		2007/0012593 A1	1/2007	Kitchens et al.	
7,784,759 B2	8/2010	Farrell		2007/0148305 A1	6/2007	Sherwood et al.	
7,791,003 B2	9/2010	Lockhart et al.		2007/0148307 A1	6/2007	Sherwood et al.	
7,811,620 B2	10/2010	Merrill et al.		2007/0217187 A1	9/2007	Blakely et al.	
7,815,069 B1	10/2010	Bellofatto et al.		2007/0221693 A1	9/2007	Moore	
7,874,177 B2	1/2011	Azamy		2007/0237432 A1	10/2007	Mogil	
7,900,816 B2	3/2011	Kastanek et al.		2007/0261977 A1	11/2007	Sakai	
D642,870 S	8/2011	Whitlock et al.		2007/0290816 A1	12/2007	Bedard	
8,016,090 B2	9/2011	McCoy et al.		2008/0038424 A1	2/2008	Krusemann	
8,043,004 B2	10/2011	Mogil		2008/0073364 A1	3/2008	Simmons	
D648,532 S	11/2011	Sosnovsky		2008/0105282 A1	5/2008	Fernholz et al.	
D650,169 S *	12/2011	Klifa .....	D3/245	2008/0128421 A1	6/2008	Ulbrand et al.	
8,096,442 B2	1/2012	Ramundi		2008/0160149 A1	7/2008	Nasrallah et al.	
8,191,747 B2	6/2012	Pruchnicki		2008/0164265 A1	7/2008	Conforti	
D664,261 S	7/2012	Kravitz et al.		2008/0178865 A1	7/2008	Retterer	
8,209,995 B2	7/2012	Kieling et al.		2008/0245096 A1	10/2008	Hanson et al.	
8,281,950 B2	10/2012	Potts et al.		2008/0260303 A1	10/2008	De Lesseux et al.	
D673,363 S	1/2013	Crandall		2008/0305235 A1	12/2008	Gao et al.	
D674,664 S	1/2013	Collie		2009/0052809 A1	2/2009	Sampson	
8,424,713 B2	4/2013	Bolland		2009/0095757 A1	4/2009	Ramundi	
8,453,899 B1 *	6/2013	Calkin .....	A45F 5/02 224/675	2009/0280229 A1	11/2009	Constantine et al.	
8,474,640 B2	7/2013	Armstrong		2009/0311378 A1	12/2009	Wilaschin et al.	
8,516,848 B2	8/2013	White et al.		2009/0317514 A1	12/2009	Sizer	
8,544,678 B1	10/2013	Hughes		2010/0047423 A1	2/2010	Kruesemann et al.	
8,573,002 B2	11/2013	Ledoux et al.		2010/0059199 A1	3/2010	Court	
D695,568 S *	12/2013	Hayes .....	D3/233	2010/0075006 A1	3/2010	Semenza	
8,622,235 B2	1/2014	Suchecky		2010/0108694 A1	5/2010	Sedlbauer et al.	
8,720,739 B2	5/2014	Bollis		2010/0136203 A1	6/2010	Sakata et al.	
8,827,109 B1	9/2014	Sheehan		2010/0143567 A1	6/2010	Ye et al.	
8,844,756 B2	9/2014	Beyburg		2011/0003975 A1	1/2011	Arase et al.	
8,899,071 B2	12/2014	Mogil et al.		2011/0005739 A1	1/2011	Finney et al.	
D732,348 S *	6/2015	Seiders .....	D3/246	2011/0030415 A1	2/2011	Breyburg et al.	
D732,349 S *	6/2015	Seiders .....	D3/246	2011/0097442 A1	4/2011	Harju et al.	
D732,350 S *	6/2015	Seiders .....	D3/246	2011/0108562 A1	5/2011	Lyons	
D732,899 S *	6/2015	Seiders .....	D3/246	2011/0167863 A1	7/2011	Herrbold	
				2011/0182532 A1	7/2011	Baltus	
				2011/0191933 A1 *	8/2011	Gregory .....	A41D 13/0012 2/69
				2011/0284601 A1	11/2011	Pullin	
				2011/0311166 A1	12/2011	Pascua	
				2012/0106130 A1	5/2012	Beaudette	
				2012/0137637 A1	6/2012	Gillis	



(56)

References Cited

U.S. PATENT DOCUMENTS

2012/0180184 A1 7/2012 Crye  
 2012/0181211 A1 7/2012 Charlebois  
 2012/0187138 A1 7/2012 Vasquez et al.  
 2012/0294550 A1 11/2012 Hassman et al.  
 2012/0311828 A1 12/2012 Nir  
 2013/0014355 A1 1/2013 Lee  
 2013/0043285 A1 2/2013 Cordray  
 2013/0174600 A1 7/2013 Sarcinella  
 2013/0216158 A1 8/2013 Meldeau et al.  
 2013/0264350 A1 10/2013 Handlon et al.  
 2013/0341338 A1 12/2013 Mitchell et al.  
 2014/0023295 A1 1/2014 Wagner  
 2014/0034543 A1 2/2014 Grubstein  
 2014/0226920 A1 8/2014 Passavia  
 2014/0248003 A1 9/2014 Mogil et al.  
 2015/0008242 A1 1/2015 Kpabar, Jr.  
 2015/0136796 A1 5/2015 Muehlhauser  
 2015/0175338 A1 6/2015 Culp et al.  
 2015/0225164 A1\* 8/2015 Seiders ..... B65D 81/3858  
 220/592.25  
 2015/0335202 A1 11/2015 Wisner et al.  
 2015/0353263 A1\* 12/2015 Seiders ..... B65D 81/3858  
 29/428  
 2016/0066817 A1 3/2016 Hannes  
 2016/0101924 A1 4/2016 Mitchell et al.  
 2016/0107816 A1 4/2016 Larpenteur et al.

FOREIGN PATENT DOCUMENTS

CA 2327764 A1 6/2002  
 CA 2433251 A1 12/2004  
 CA 2483802 A1 4/2006  
 CA 2498796 A1 9/2006  
 CA 2499291 A1 9/2006  
 CA 2503473 A1 10/2006  
 CA 2548064 A1 11/2007  
 CA 2549327 A1 11/2007  
 CA 2633223 A1 12/2009  
 CA 2782668 A1 12/2013  
 CN 2125339 U 12/1992  
 CN 2188899 Y 2/1995  
 CN 201062136 Y 5/2008  
 CN 102717977 A 10/2012  
 CN 202619972 U 12/2012  
 CN 202959175 U 6/2013  
 CN 103385657 A 11/2013  
 CN 302623771 11/2013  
 CN 302623775 11/2013  
 CN 302769710 3/2014  
 CN 302956550 10/2014  
 CN 303100086 2/2015  
 CN 303342902 8/2015  
 DE 3539626 A1 5/1987  
 DE 20002689 U1 8/2000  
 DE 202011050174 U1 7/2011  
 DE 202013101115 U1 3/2013  
 EP 0037545 A2 10/1981  
 EP 0082131 A2 6/1983  
 EP 0158634 A1 10/1985  
 EP 0174159 A2 3/1986  
 FR 1269009 A 8/1961  
 FR 2440886 A1 6/1980  
 GB 2249717 A 5/1992  
 GB 2335972 A 10/1999  
 GB 3004135 9/2002  
 GB 3006367 10/2002  
 JP 11051532 2/1999  
 JP 3275477 B2 4/2002  
 JP D1160335 12/2002  
 JP 2003026258 A 1/2003  
 JP D1213384 8/2004  
 JP D1242111 6/2005  
 JP 2010023926 A 2/2010  
 JP D1445624 7/2012

KR 20020027739 A 4/2002  
 KR 20040092730 A 11/2004  
 KR 300778570.0000 1/2015  
 KR 300808669.0000 8/2015  
 KR 300835242.0000 1/2016  
 KR 300853718.0000 5/2016  
 WO 9524146 A2 9/1995  
 WO 9812954 A1 4/1998  
 WO 2006007266 A2 1/2006  
 WO 2006058538 A1 6/2006  
 WO 2007016092 A2 2/2007  
 WO 2010106296 A2 9/2010  
 WO 2010120199 A1 10/2010  
 WO 2012003543 A1 1/2012  
 WO 2014033450 A1 3/2014  
 WO 2016066817 A1 5/2016

OTHER PUBLICATIONS

Icemule Classic Coller—Large (20L), <http://www.icemulecooler.com/icemule-classic-cooler-large-20l/>, published date unknown, but prior to the filing date of the present application, Icemule, United States.  
 The-gadgeteer.com: Tom Bihn Camera I-O Bag Review. Published by Janet Cloninger on Jul. 9, 2012. Retrieved from the Internet at <<http://the-gadgeteer.com/2012/07/09/tom-bihn-camera-i-o-bag-review/>>, Feb. 24, 2016. 23 pages.  
 The-gadgeteer.com: Tom Bihn Camera I-O Bag Review. Published by Janet Cloninger on Jul. 9, 2012. Retrieved from the Internet at <<http://the-gadgeteer.com/2012/07/09/tom-bihn-camera-i-o-bag-review/>>, Jan. 8, 2016. 23 pages.  
 Devonbuy.com: Thule Gauntlet 13" MacBook Pro Attaché. Published on Jul. 28, 2014. Retrieved from the internet at <<http://www.devonbuy.com/thule-gauntlet-13-macbook-pro-attache/>>, Feb. 24, 2016. 9 pages.  
 United States District Court for the Western District of Texas, Austin Division, “Defendants’ Answer and Counterclaims to YETI’s Complaint,” *YETI Coolers, LLC*, vs. *RTIC Soft Sided Coolers, LLC*, *RTIC Coolers, LLC*, *RTIC Web Services, LLC*, and *Corporate Support and Fulfillment, LLC*, Case 1:16-cv-00909-RP, Document 11, Filed Aug. 18, 2016, 44 pages.  
 United States District Court Western District of Texas, Austin Division, “Complaint,” *YETI Coolers, LLC*, v. *RTIC Soft Side Coolers, RTIC Coolers, LLC, RTIC Web Services, LLC, and Corporate Support and Fulfillment, LLC*, Case 1:16-cv-00909, Document 1, Filed Jul. 27, 2016, 66 pages.  
 United States District Court Western District of Texas, Austin Division, “Complaint for Damages and Injunctive Relief,” *YETI Coolers, LLC* v. *Jennifer Leverne Bootz Evans d/b/a Bling and Burlap Buy In’s and Blanks*, Case 1:15-cv-00995, Document 1, Filed Nov. 2, 2015, 128 pages.  
 United States District Court Western District of Texas, Austin Division, “Order,” *YETI Coolers, LLC* v. *Jennifer Leverne Bootz Evans d/b/a Bling and Burlap Buy In’s and Blanks*, Case 1:15-cv-00995-RP, Document 18, Filed Apr. 18, 2016, 1 page.  
 United States District Court Western District of Texas, Austin Division, “Defendant’s Reply in Support of Their Rule 12 (B)(6) Motion to Dismiss for Failure to State a Claim” *YETI Coolers, LLC* v. *RTIC Soft Sided Coolers, LLC, RTIC Coolers, LLC, RTIC Web Services, LLC, and Corporate Support and Fulfillment, LLC*, Case 1:16-cv-00909-RP, Document 15, Filed Sep. 8, 2016, 13 pages.  
 United States District Court Western District of Texas, Austin Division, “YETI’s Answer to RTIC’s Counterclaims,” *YETI Coolers, LLC* v. *RTIC Soft Sided Coolers, LLC, RTIC Coolers, LLC, RTIC Web Services, LLC, and Corporate Support and Fulfillment, LLC*, Case 1:16-cv-00909-RP, Document 14, Filed Sep. 2, 2016, 16 pages.  
 United States District Court Western District of Texas, Austin Division, “YETI’s Opposition to RTIC’s Motion to Dismiss,” *YETI Coolers, LLC* v. *RTIC Soft Sided Coolers, LLC, RTIC Coolers, LLC, RTIC Web Services, LLC, and Corporate Support and Fulfillment, LLC*, Case 1:16-cv-00909-RP, Document 13, Filed Sep. 1, 2016, 17 pages.

(56)

**References Cited**

OTHER PUBLICATIONS

United States District Court for the Western District of Texas, Austin Division, "Defendants' Rule 12(B)(6) Motion to Dismiss for Failure to State a Claim," *YETI Coolers, LLC, vs. RTIC Soft Sided Coolers, LLC, RTIC Coolers, LLC, RTIC Web Services, LLC, and Corporate Support and Fulfillment, LLC*, Case 1:16-cv-00909-RP, Document 10, Filed Aug. 18, 2016, 12 pages.

United States District Court for the Western District of Texas, Austin Division, "Joint Rule 26(f) Report and Discovery Plan," *YETI Coolers, LLC, vs. RTIC Soft Sided Coolers, LLC, RTIC Coolers, LLC, RTIC Web Services, LLC, and Corporate Support and Fulfillment, LLC*, Case 1:16-cv-00909-RP, Document 19, Filed Oct. 11, 2016, 9 pages.

Petition for Inter Partes Review of U.S. Pat. No. 9,139,352, filed on Dec. 13, 2016, 1616 pages.

\* cited by examiner



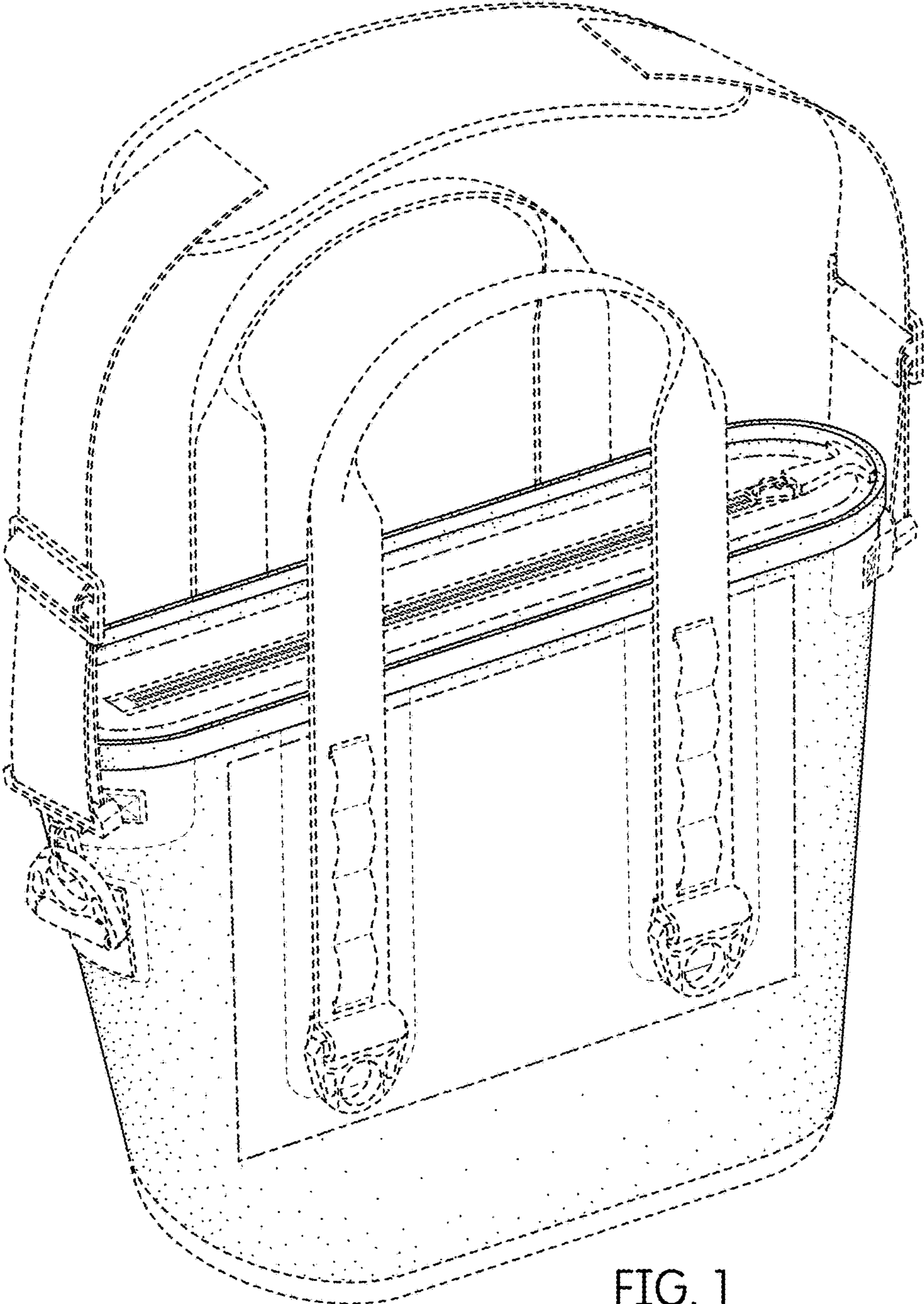


FIG. 1

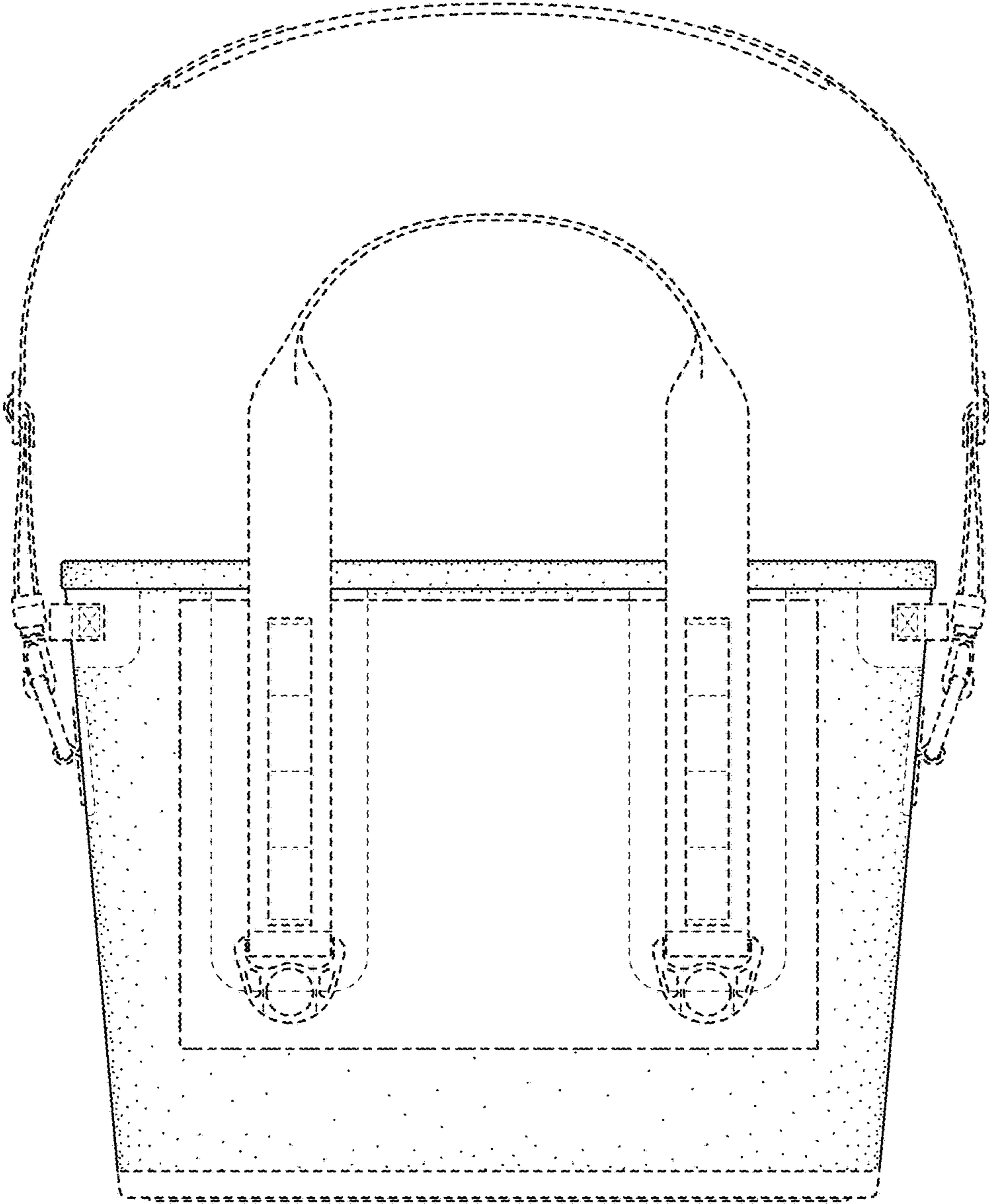


FIG. 2

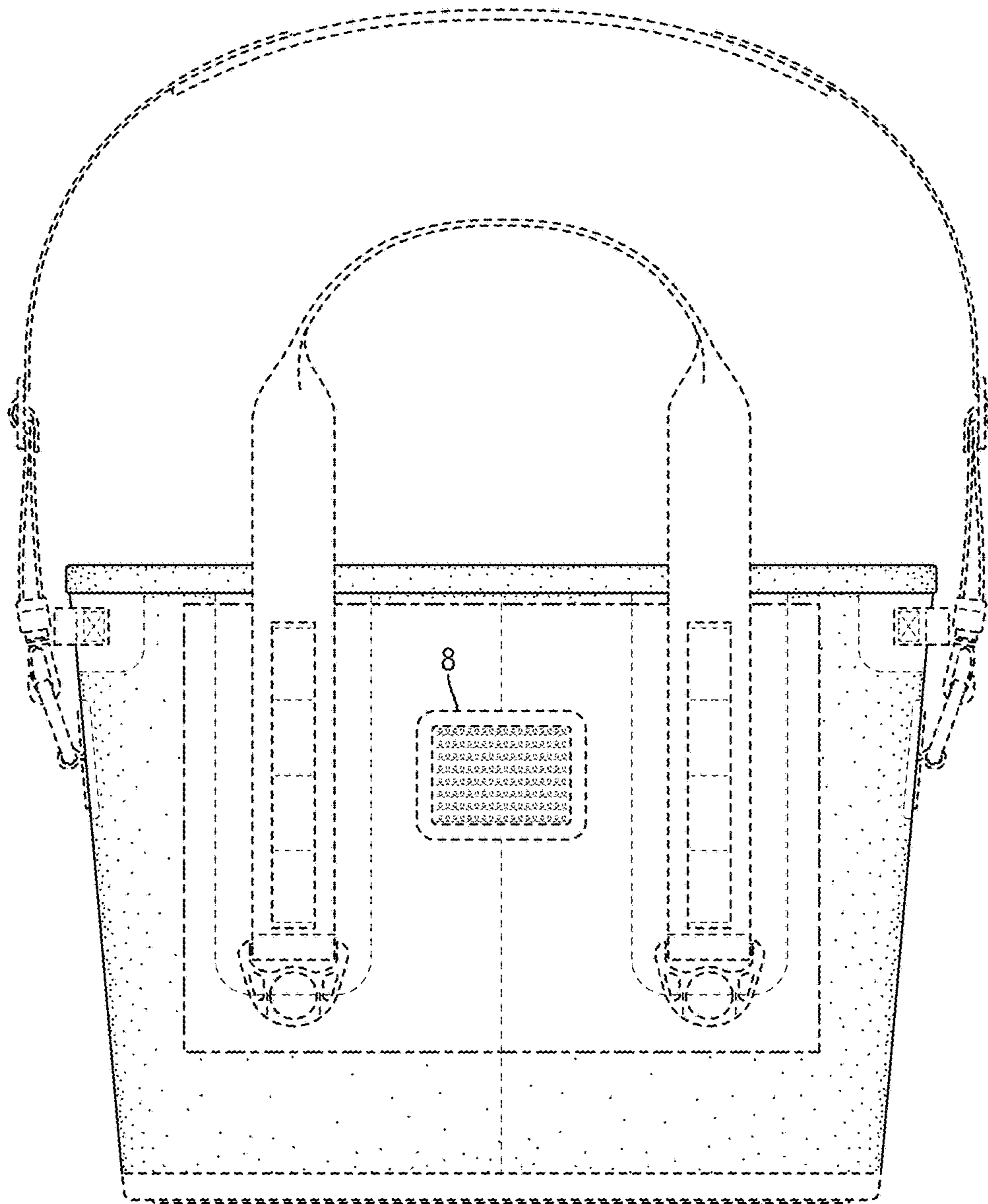


FIG. 3



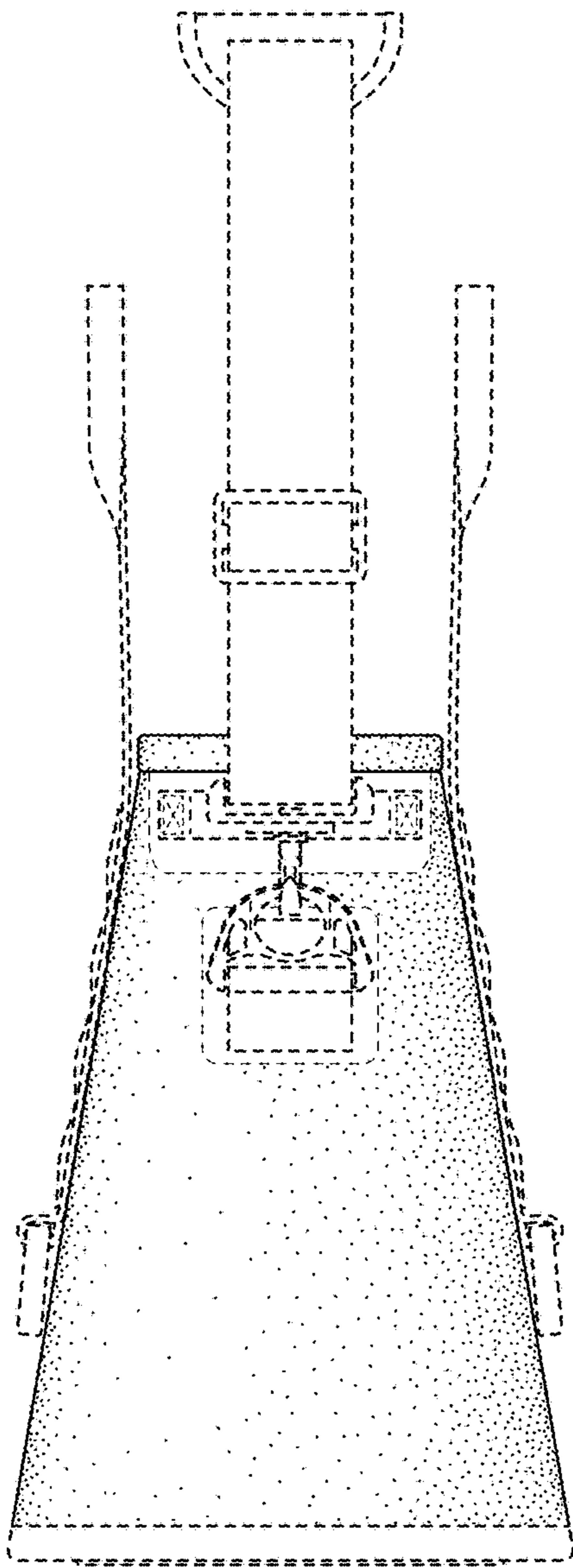


FIG. 4

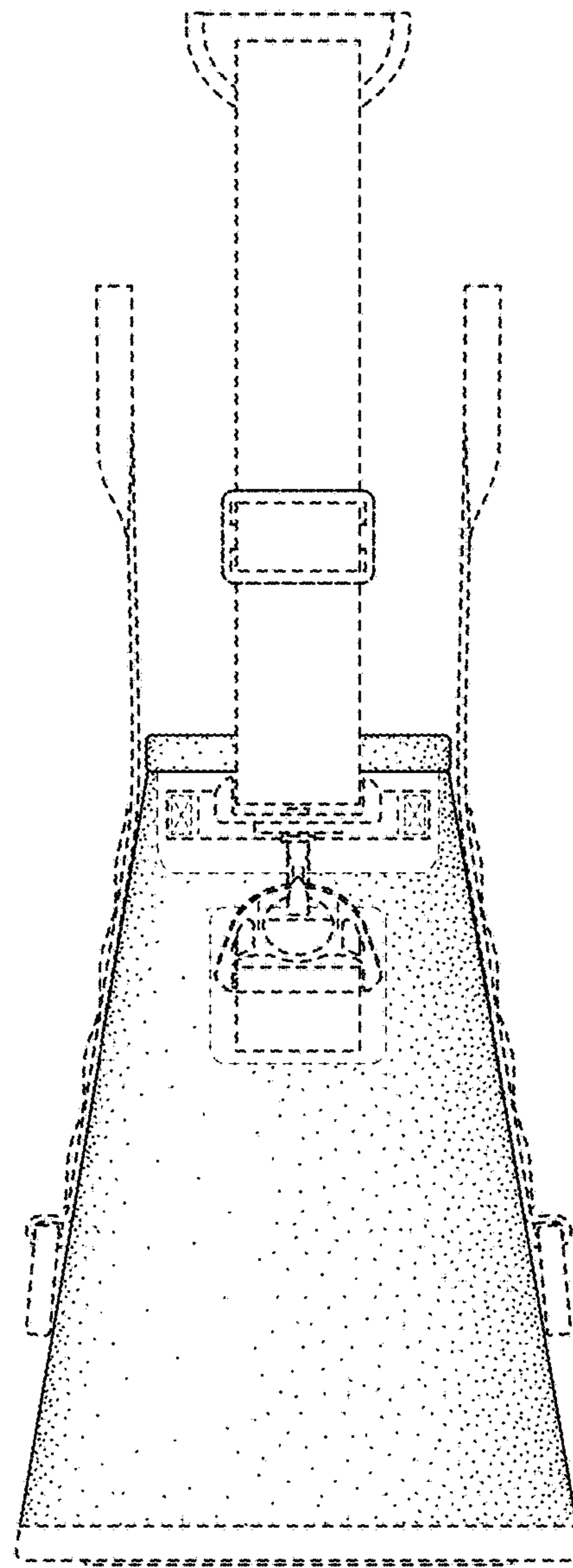


FIG. 5

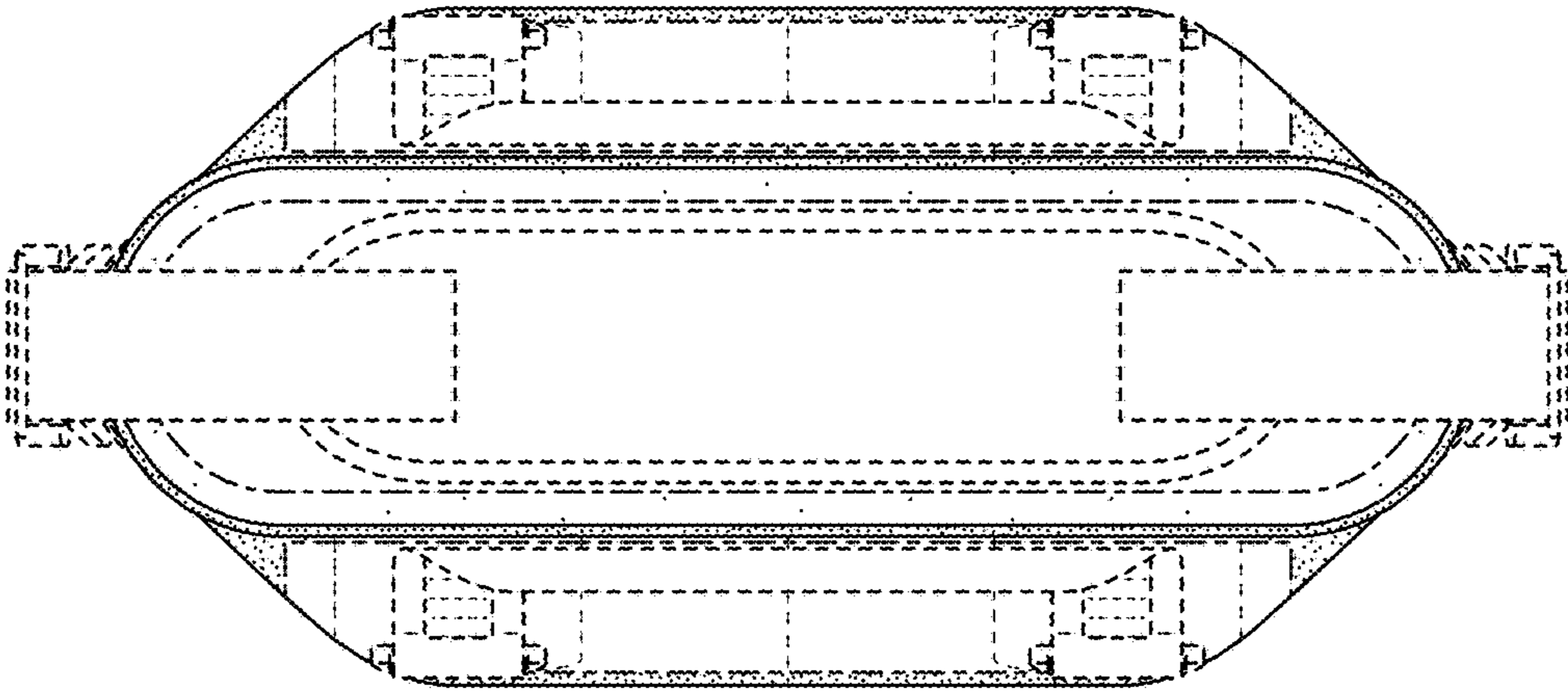


FIG. 6

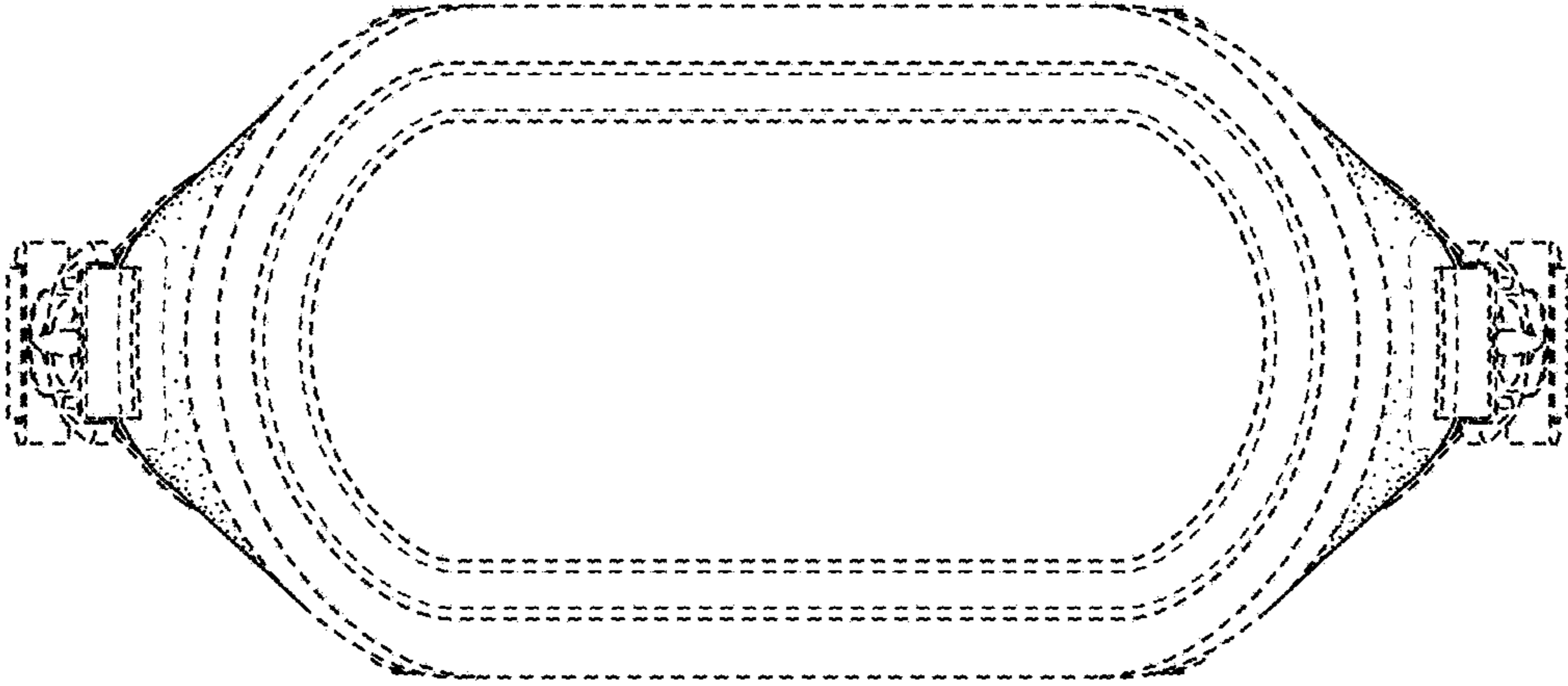


FIG. 7





FIG. 8