



US00D787185S

(12) **United States Design Patent** (10) **Patent No.:** **US D787,185 S**
Hsieh (45) **Date of Patent:** **** May 23, 2017**

(54) **TOOL HOLDER**
(71) Applicant: **Chih-Chien Hsieh**, Taichung (TW)
(72) Inventor: **Chih-Chien Hsieh**, Taichung (TW)
(**) Term: **15 Years**
(21) Appl. No.: **29/552,125**
(22) Filed: **Jan. 20, 2016**
(51) **LOC (10) Cl.** **03-01**
(52) **U.S. Cl.**
USPC **D3/313**
(58) **Field of Classification Search**
USPC D3/226, 228, 245, 246, 283-284,
D3/303-304, 308, 313, 315, 319, 328;
D6/515, 567, 574, 675, 682, 682.1
CPC B25H 3/003; B25H 3/006; B25H 3/06
See application file for complete search history.

(56) **References Cited**
U.S. PATENT DOCUMENTS
1,758,098 A * 5/1930 Williams A47F 5/005
211/59.2
D340,827 S * 11/1993 Hubbard D6/567
D342,880 S * 1/1994 Clancy D3/313
D355,554 S * 2/1995 Phelps D6/567
D364,526 S * 11/1995 Laufenberg D6/570
D457,319 S * 5/2002 Fairchild D3/310
6,860,574 B2 * 3/2005 Hwang A47B 88/10
312/334.11
D520,148 S * 5/2006 Kendall D25/138
D607,252 S * 1/2010 Meyer D6/534
D623,035 S * 9/2010 Rivera D8/70
D637,815 S * 5/2011 Hsieh D3/313
8,381,905 B1 * 2/2013 Kao B25H 3/003
206/1.5
D714,062 S * 9/2014 Chen D3/313
D717,433 S * 11/2014 Samani D24/155

D720,540 S * 1/2015 Lin D3/315
D725,993 S * 4/2015 Ernst D8/339
D727,708 S * 4/2015 Kokke D3/315
D730,053 S * 5/2015 Ou D3/315
D730,055 S * 5/2015 Ou D3/315
D736,522 S * 8/2015 Hsieh D3/313
D738,039 S * 9/2015 Chen D27/183
D747,103 S * 1/2016 Amash D3/313
D748,395 S * 2/2016 Hsieh D3/313
D749,429 S * 2/2016 Fath D9/737
D774,765 S * 12/2016 Hsieh D3/313

* cited by examiner

Primary Examiner — Kelley Donnelly
(74) *Attorney, Agent, or Firm* — Egbert Law Offices,
PLLC

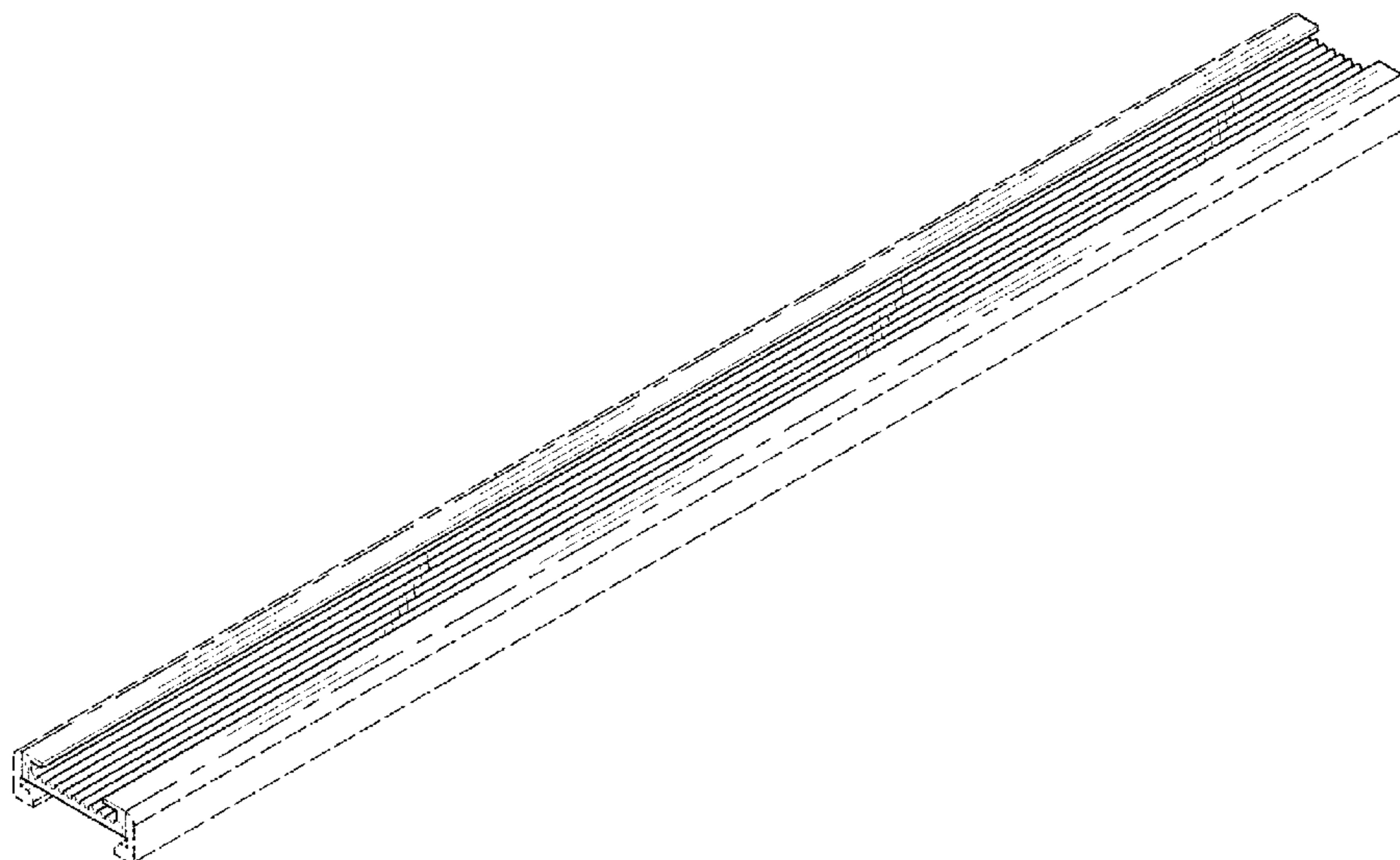
(57) **CLAIM**

The ornamental design for a tool holder, as shown and described.

DESCRIPTION

FIG. 1 is an upper perspective view of a tool holder showing my new design.
FIG. 2 is a front elevation view thereof, a back elevation view being identical;
FIG. 3 is a top plan view thereof;
FIG. 4 is a bottom plan view thereof;
FIG. 5 is an upper perspective view of the tool holder wherein tools are secured therein; and,
FIG. 6 is an upper perspective showing two tool holders of my new design in a side-by-side arrangement with tools secured therein.
The ornamental design which is claimed is shown in solid lines in the drawings. The broken lines in the drawings are for illustrative purposes only and form no part of the claimed design.

1 Claim, 6 Drawing Sheets



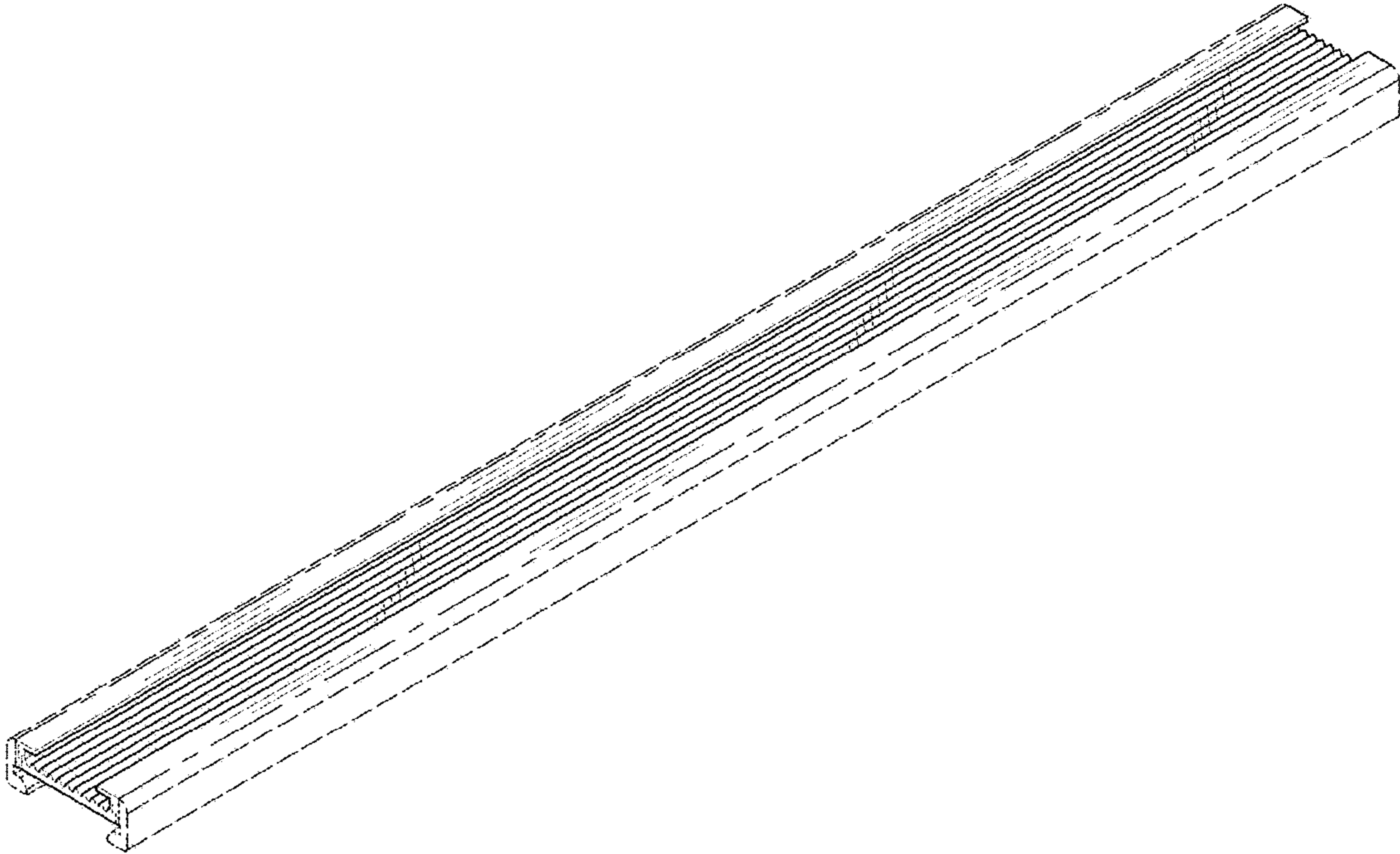


FIG. 1

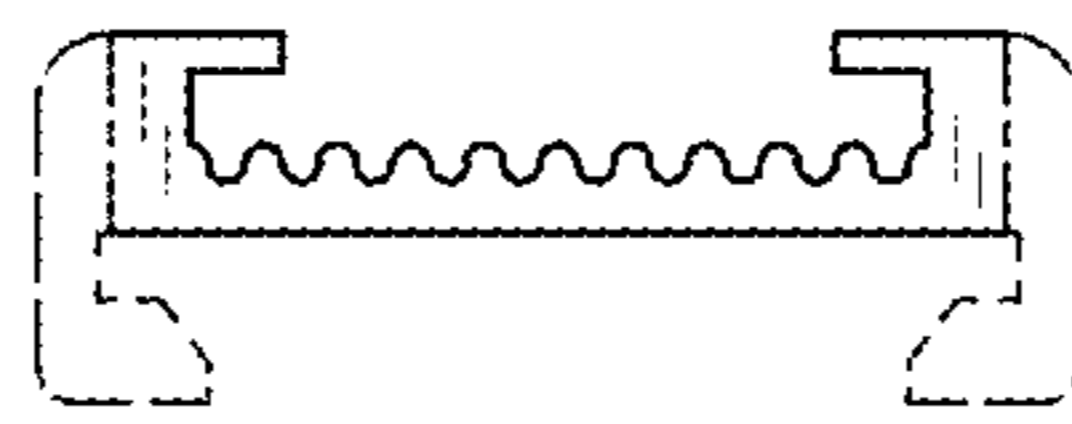


FIG. 2

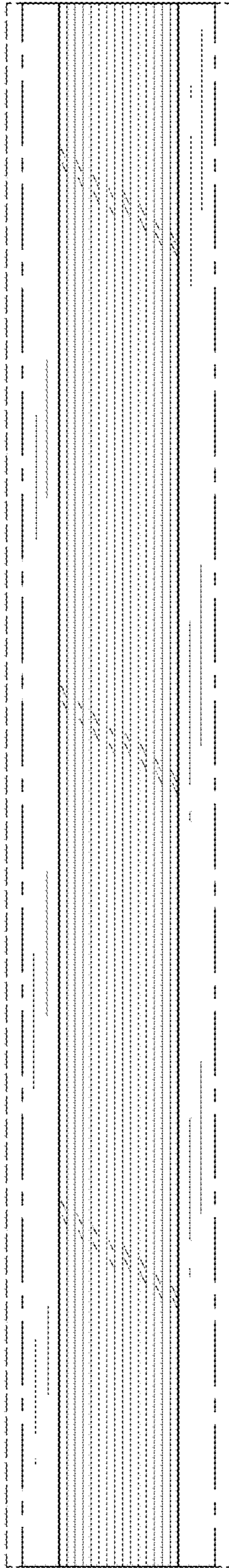


FIG. 3

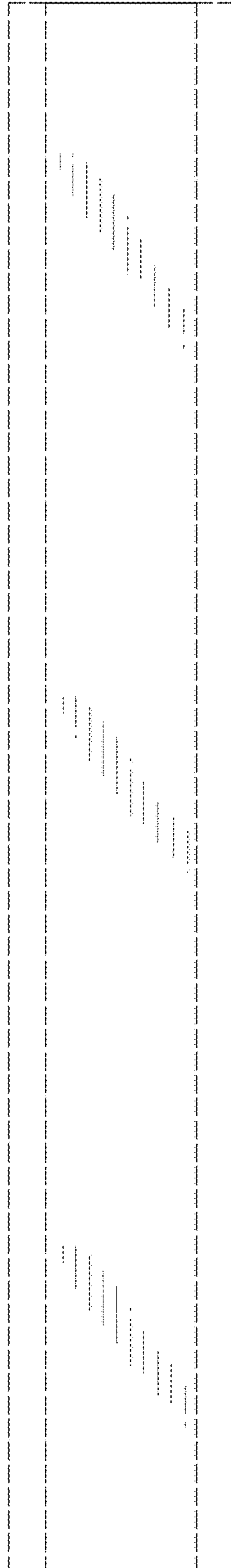


FIG. 4

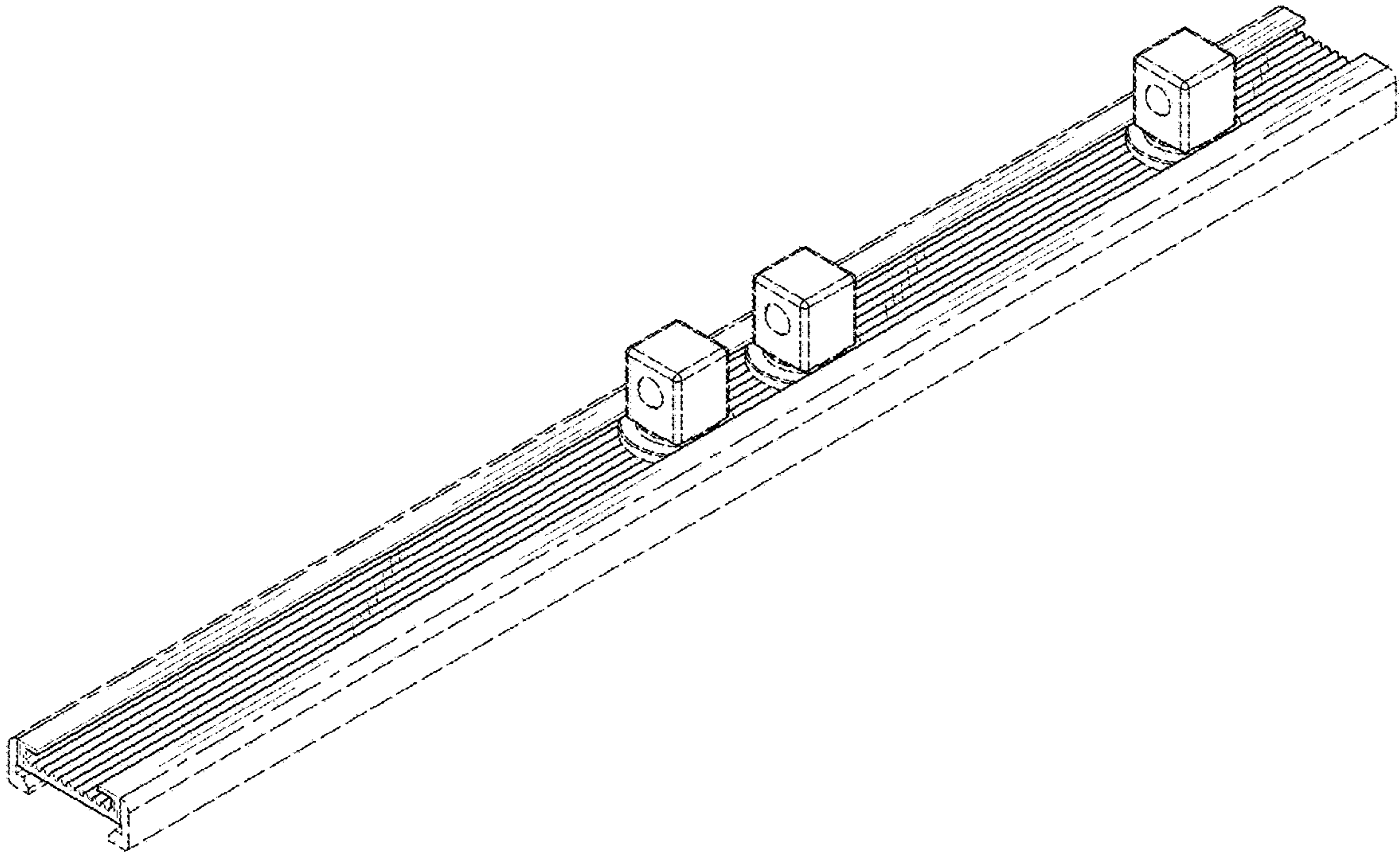


FIG. 5

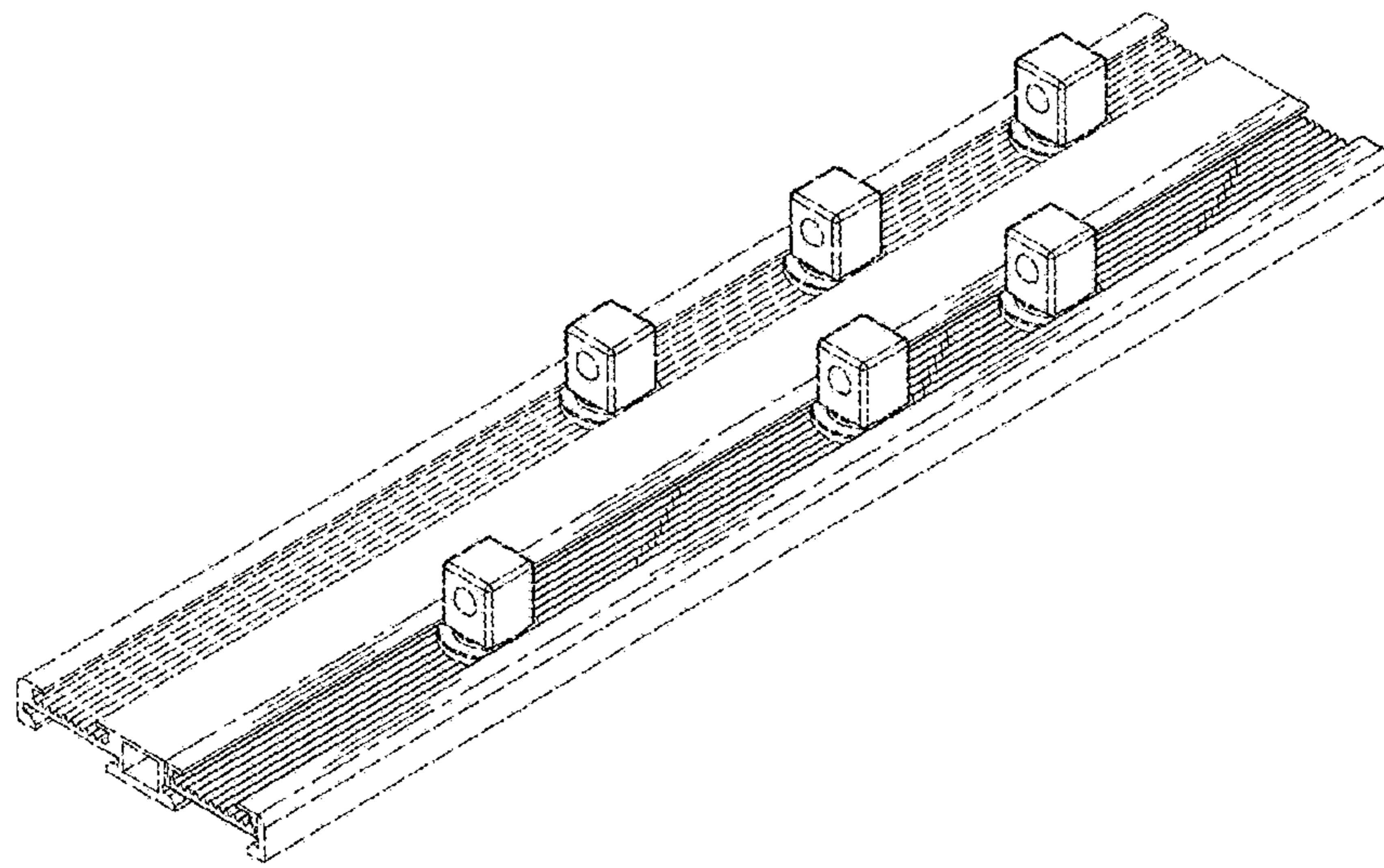


FIG. 6