



US00D787184S

(12) **United States Design Patent**
Stuart et al.

(10) **Patent No.:** **US D787,184 S**

(45) **Date of Patent:** **** May 23, 2017**

(54) **STORAGE CONTAINER**

(71) Applicant: **DEFLECTO, LLC**, Indianapolis, IN (US)

(72) Inventors: **Christopher Stuart**, Noblesville, IN (US); **James DeChant**, Carmel, IN (US); **Patrick Foley**, Fishers, IN (US)

(73) Assignee: **Deflecto, LLC**, Indianapolis, IN (US)

(**) Term: **15 Years**

(21) Appl. No.: **29/550,452**

(22) Filed: **Jan. 4, 2016**

(51) **LOC (10) Cl.** **03-01**

(52) **U.S. Cl.**
USPC **D3/313**

(58) **Field of Classification Search**
USPC D3/303–315, 318–319, 328; D7/600.1, D7/601–602, 701
CPC B65D 1/00; B65D 1/34; B65D 1/36
See application file for complete search history.

(56) **References Cited**

U.S. PATENT DOCUMENTS

D360,979 S * 8/1995 Steffenssen D3/313
D367,960 S * 3/1996 Werbesky, Jr. D3/316
D382,998 S * 9/1997 Conigliaro D3/313

D470,987 S * 2/2003 Noble D34/1
D492,835 S * 7/2004 Michaels D34/38
D651,802 S * 1/2012 Riedesel D3/313
D697,744 S * 1/2014 Lipper McCauley D6/706
9,173,543 B2 * 11/2015 Abraham A47L 15/501
D744,239 S * 12/2015 Reinhart D3/302

* cited by examiner

Primary Examiner — Kelley Donnelly

(74) *Attorney, Agent, or Firm* — Dentons US LLP; Brian R. McGinley

(57) **CLAIM**

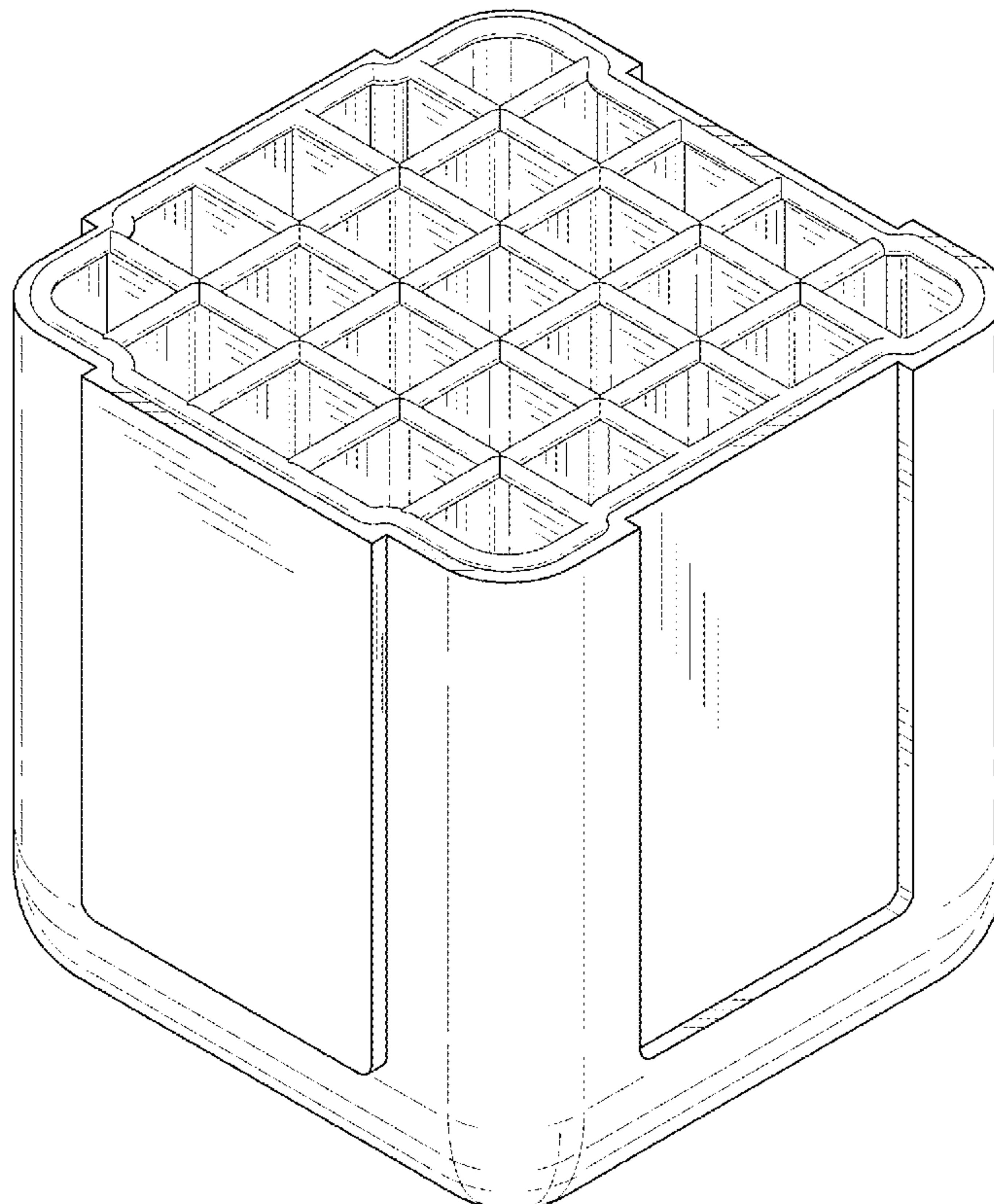
The ornamental design for a storage container, as shown and described.

DESCRIPTION

FIG. 1 is a front perspective view of a storage container of my new design in an assembled configuration;
FIG. 2 is a front perspective view thereof shown with environment;
FIG. 3 is a front view of FIG. 1;
FIG. 4 is a rear view thereof;
FIG. 5 is a left-side view thereof;
FIG. 6 is a right-side view thereof;
FIG. 7 is a top view thereof;
FIG. 8 is a bottom view thereof; and,
FIG. 9 is a section view thereof.

The broken lines are for the purpose of illustrating the environment of the article and form no part of the claimed design.

1 Claim, 9 Drawing Sheets



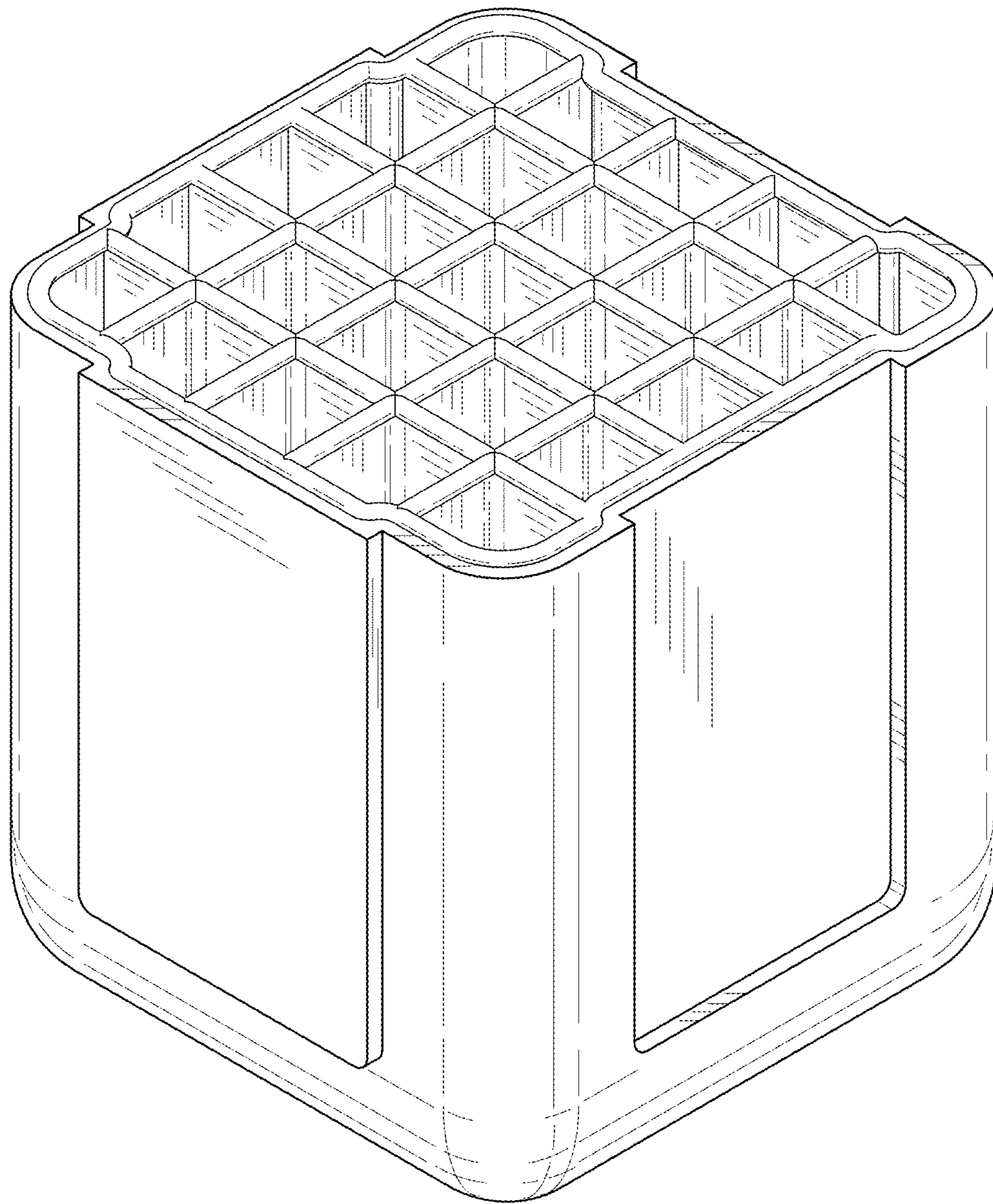


FIG. 1

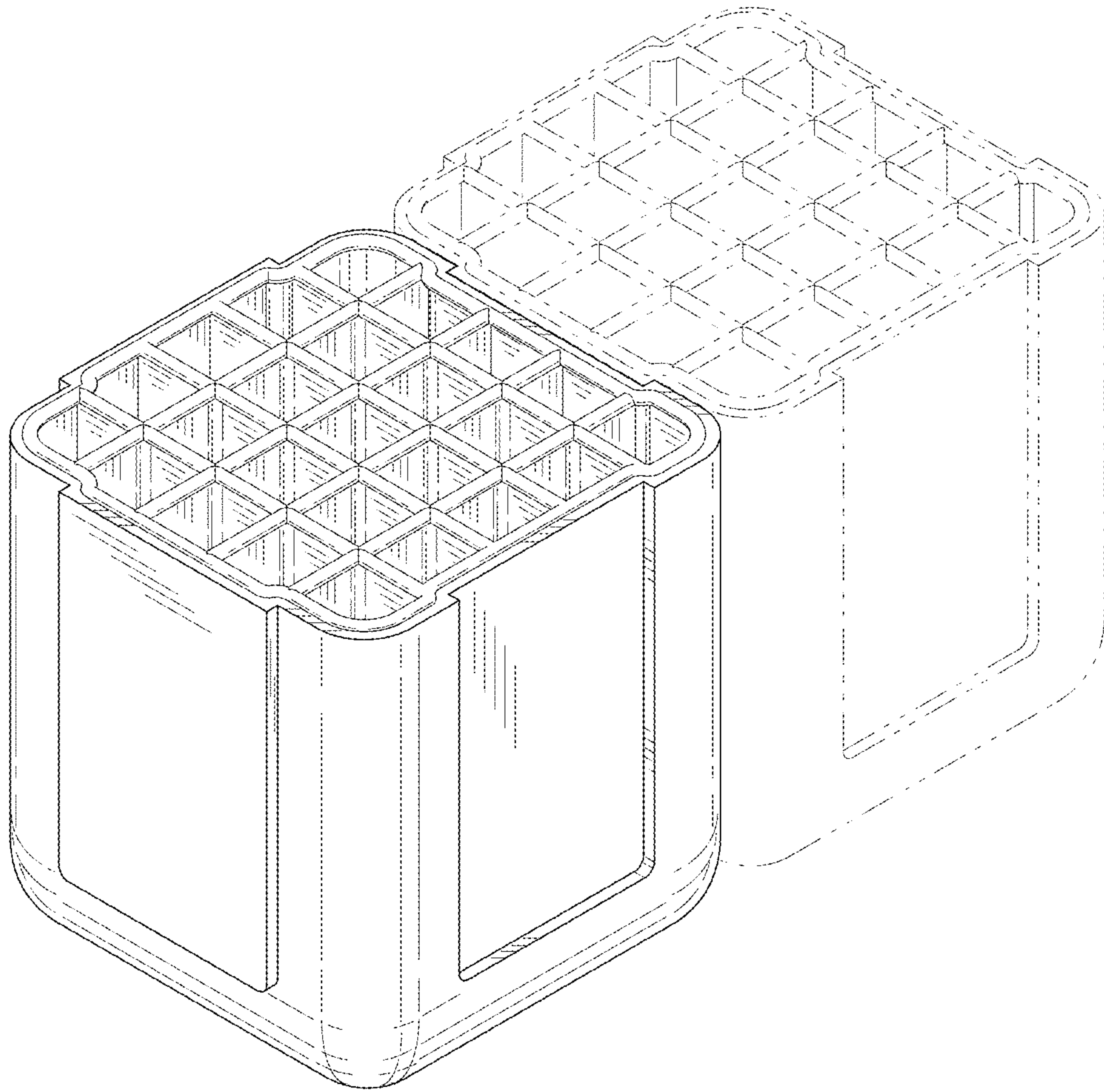


FIG. 2

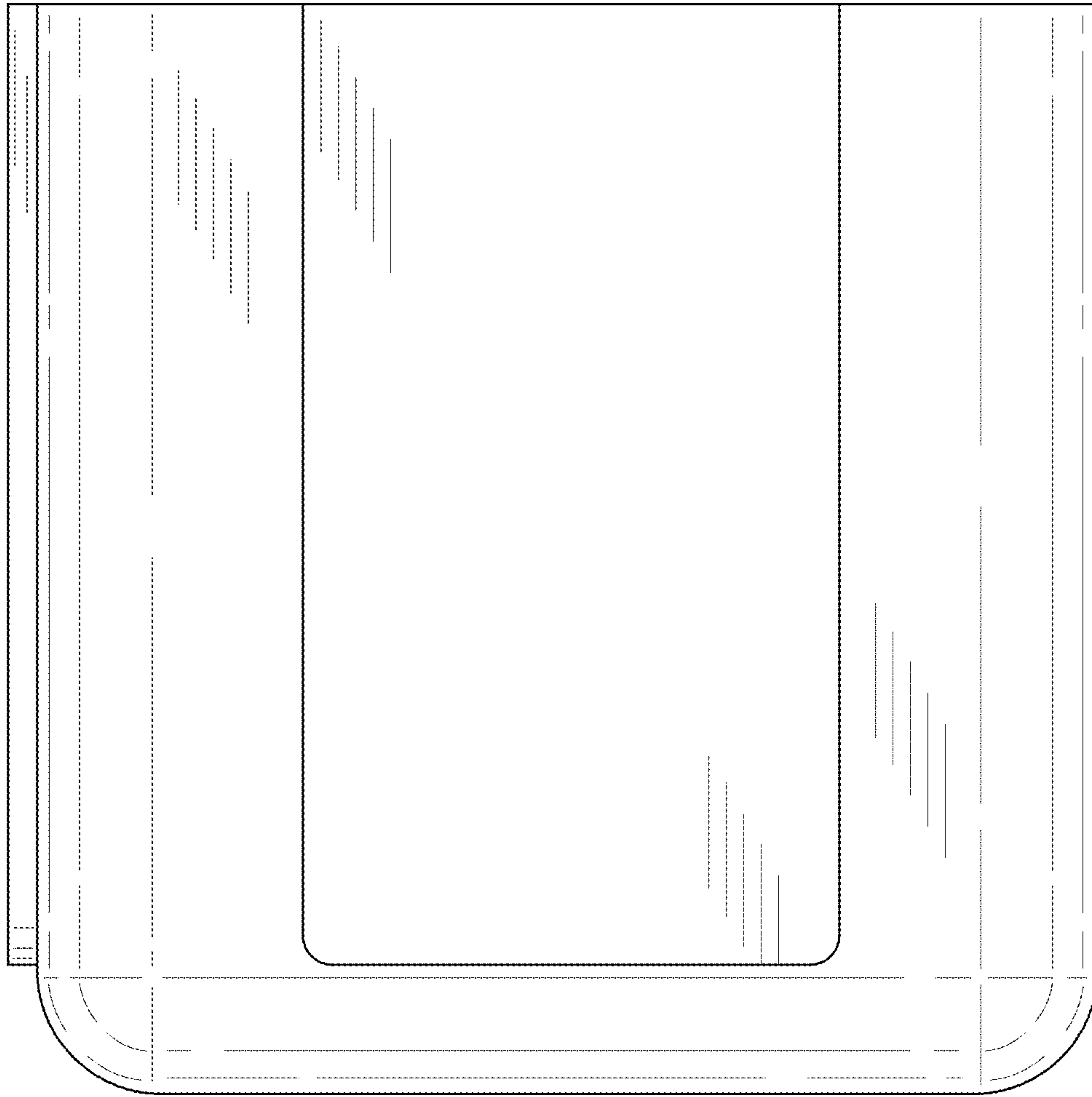


FIG. 3

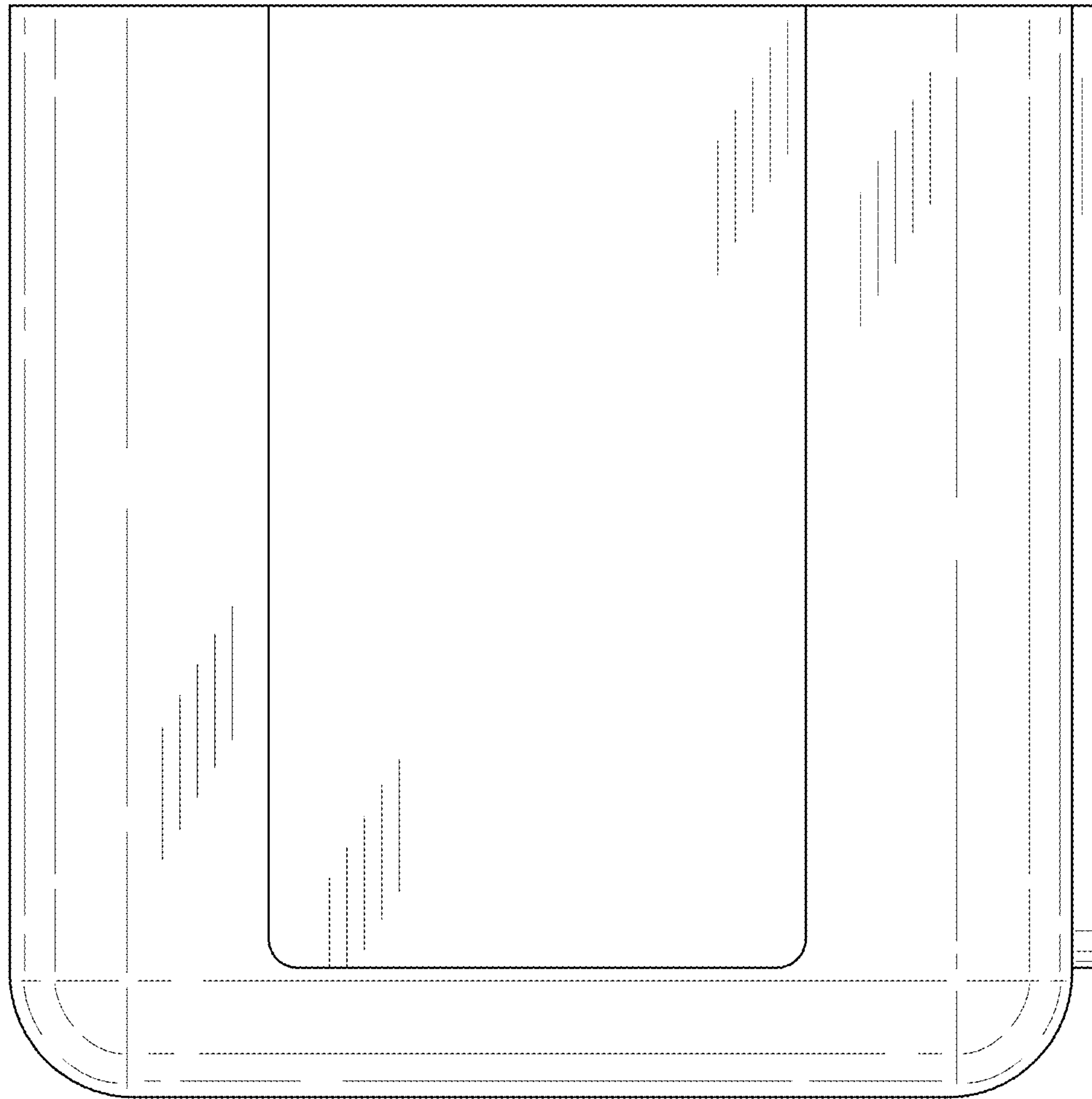


FIG. 4

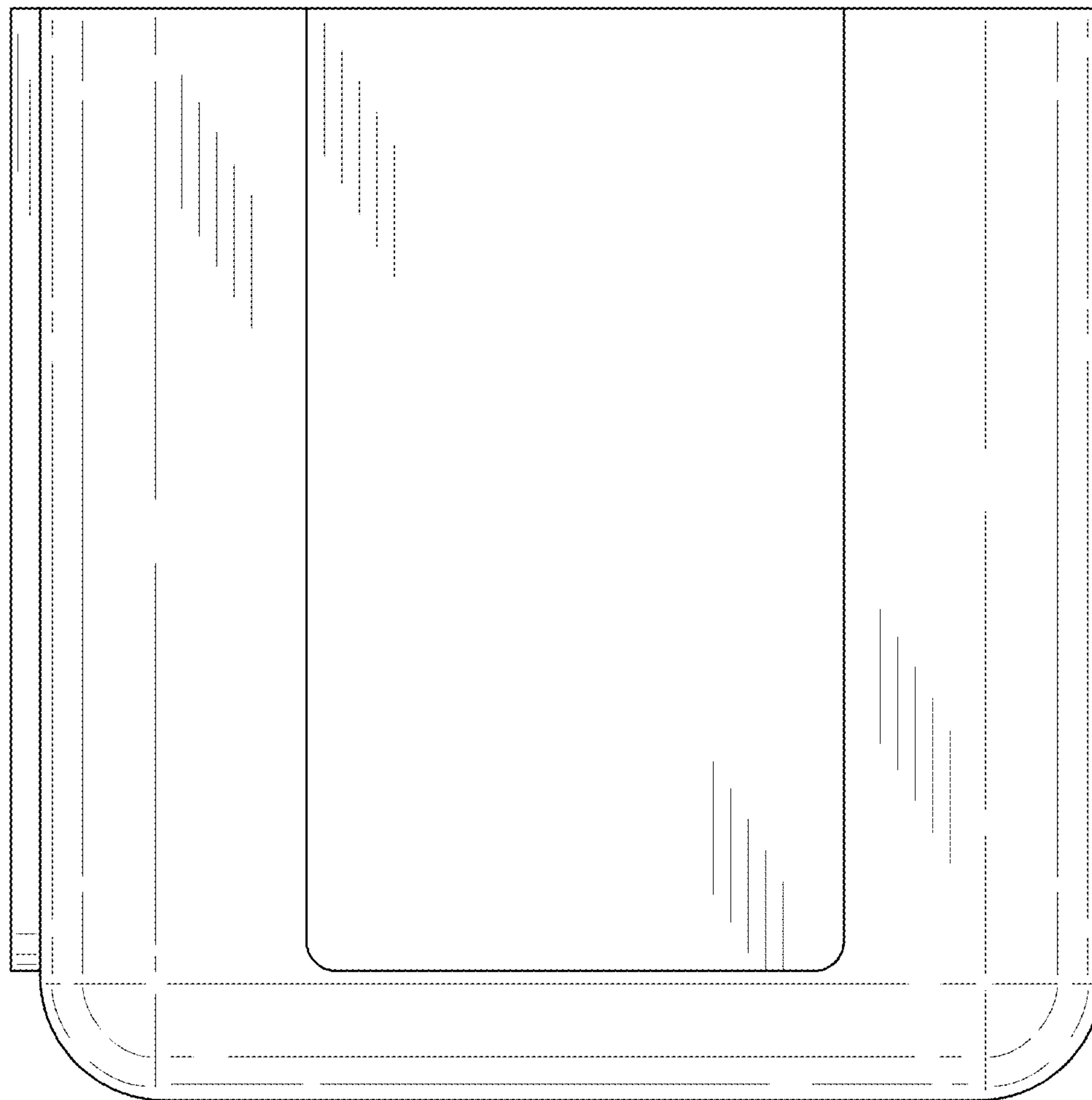


FIG. 5

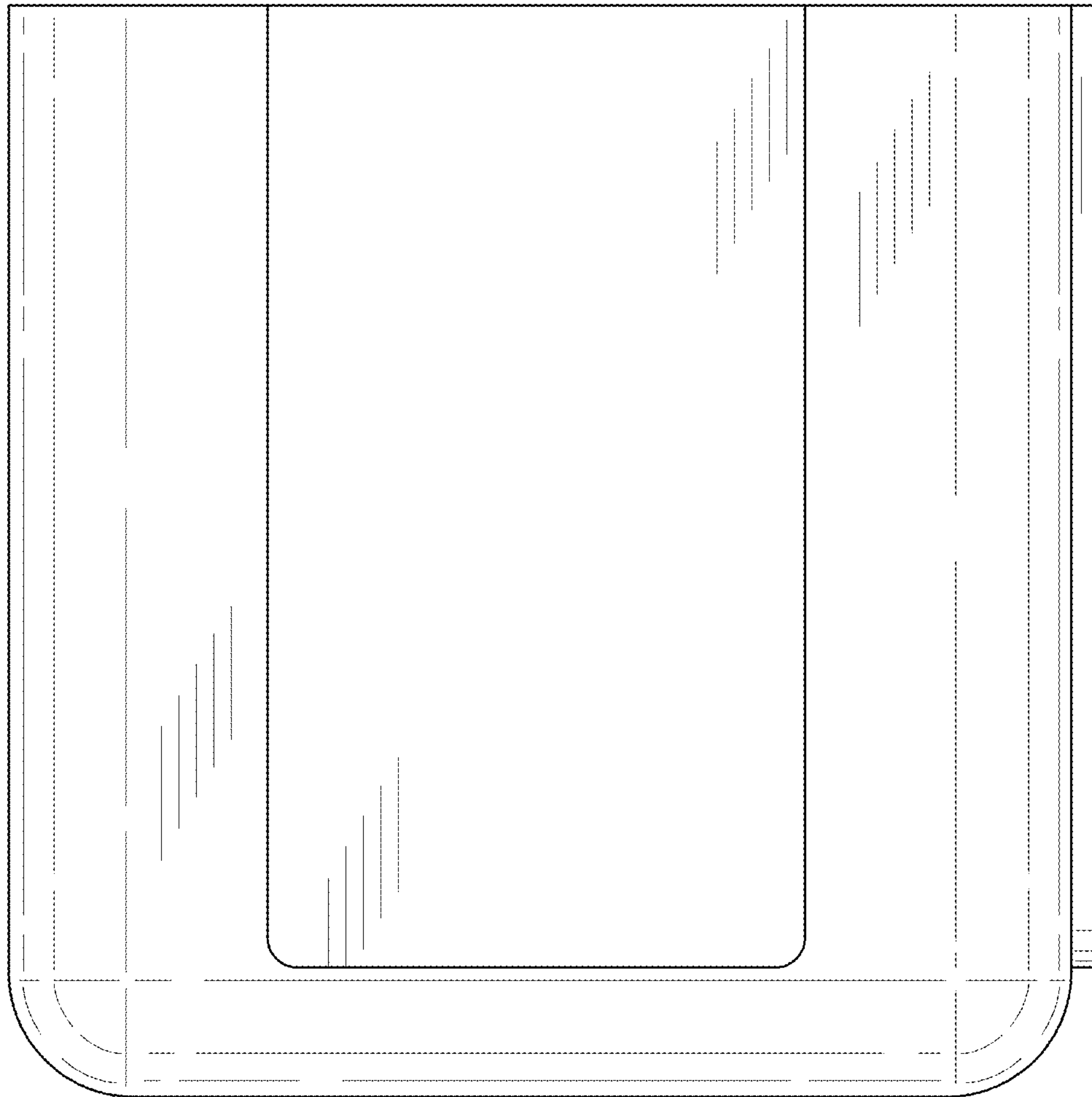


FIG. 6

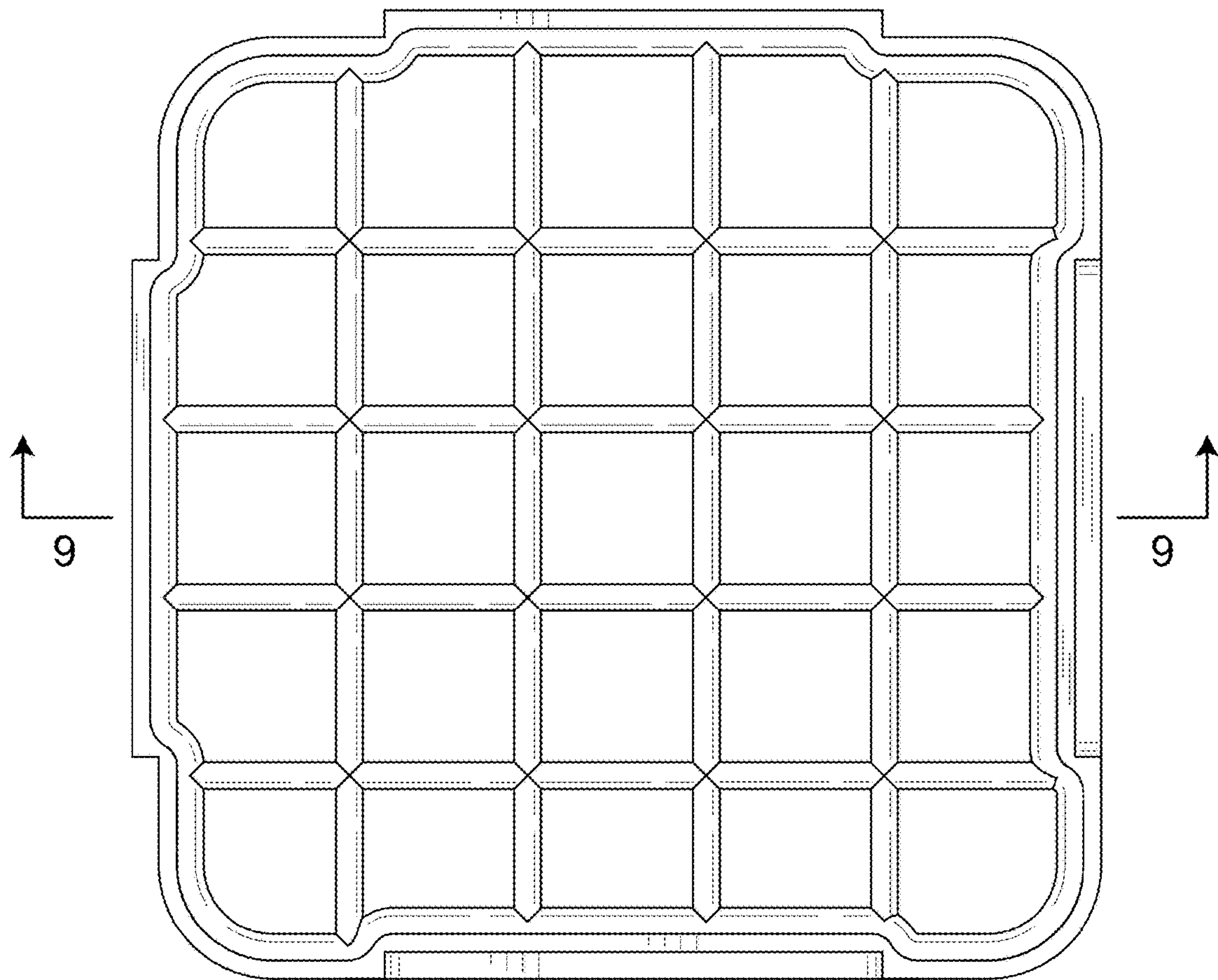


FIG. 7

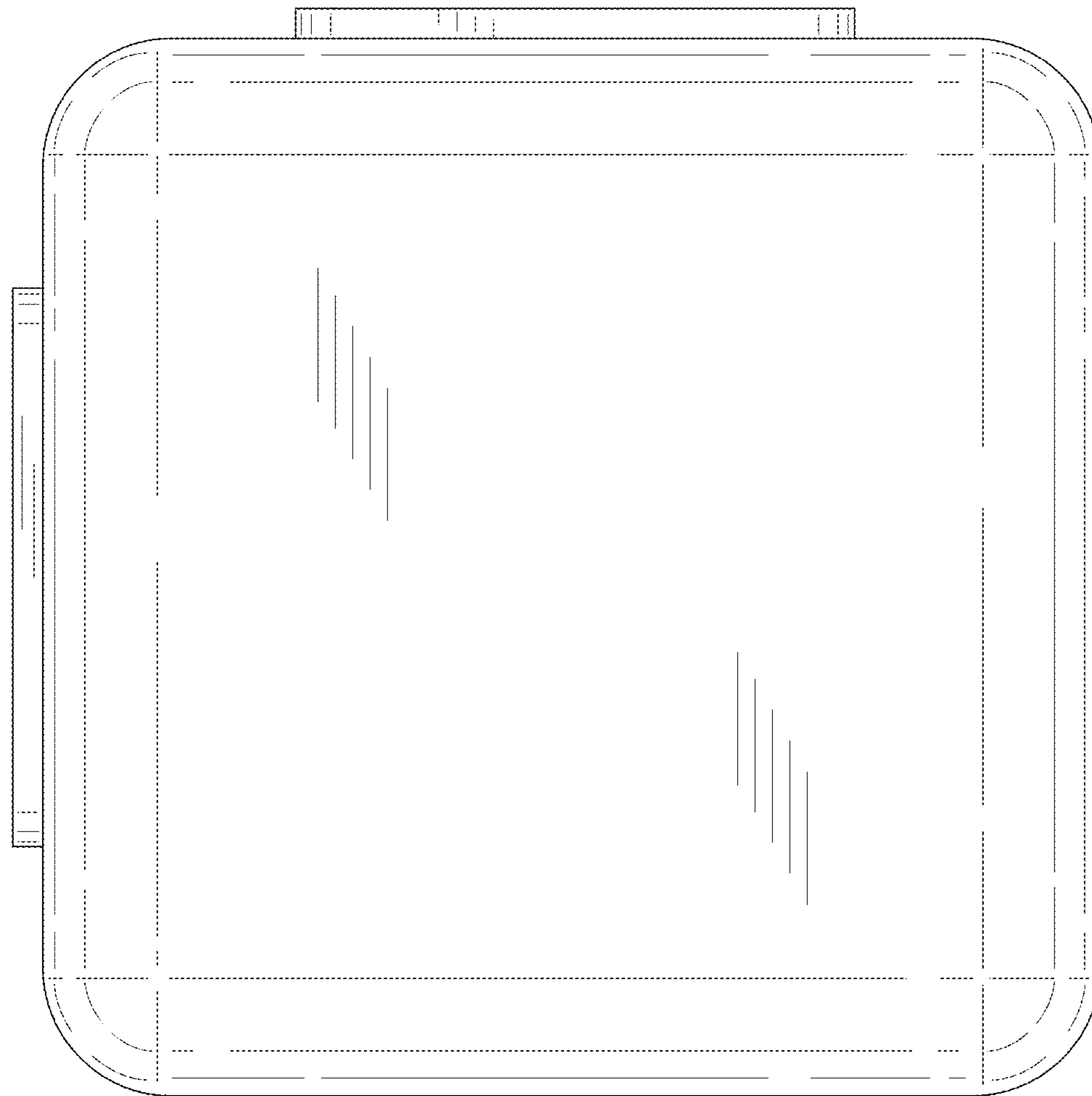


FIG. 8

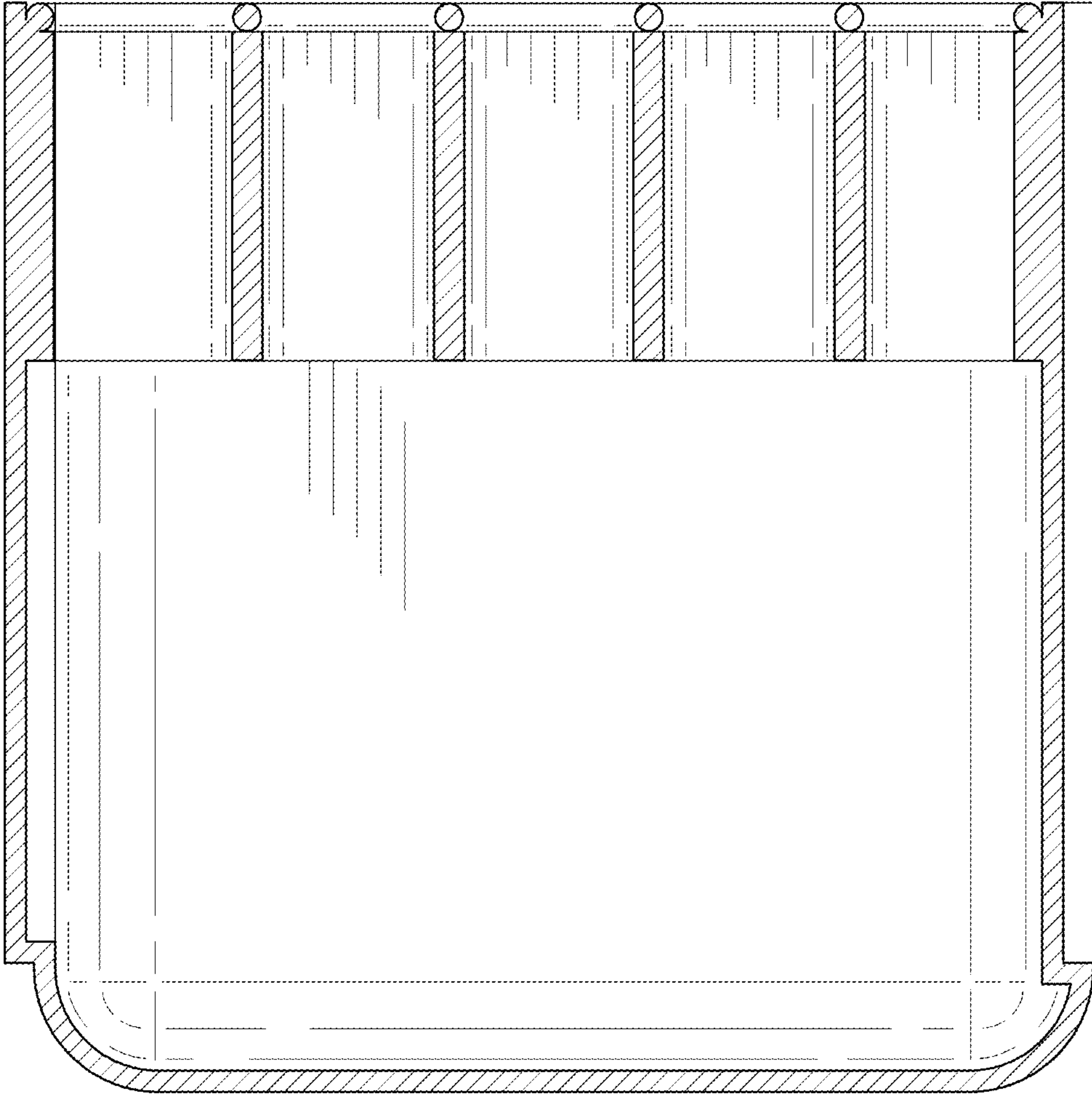


FIG. 9