



US00D787177S

(12) **United States Design Patent**  
**O'Connor**

(10) **Patent No.:** **US D787,177 S**

(45) **Date of Patent:** **\*\* May 23, 2017**

(54) **DIAPER FANNY PACK**

(56) **References Cited**

(71) Applicant: **Carmen O'Connor Creative, LLC**,  
Brooklyn, NY (US)

U.S. PATENT DOCUMENTS

(72) Inventor: **Carmen O'Connor**, Brooklyn, NY  
(US)

D334,663	S	*	4/1993	Petrillo	.....	D3/224
D411,038	S	*	6/1999	Fair	.....	D3/226
D433,228	S	*	11/2000	Wentling, Jr.	.....	D3/224
8,146,787	B2	*	4/2012	Cragg	.....	A45F 3/02 150/107

(73) Assignee: **Carmen O'Connor Creative, LLC**,  
Brooklyn, NY (US)

\* cited by examiner

(\*\*) Term: **15 Years**

*Primary Examiner* — Catheri Oliver-Garcia

(74) *Attorney, Agent, or Firm* — Botkin & Hall, LLP

(21) Appl. No.: **29/546,042**

(57) **CLAIM**

The ornamental design for a diaper fanny pack, as shown and described.

(22) Filed: **Nov. 18, 2015**

**DESCRIPTION**

(51) **LOC (10) Cl.** ..... **03-01**

(52) **U.S. Cl.**  
USPC ..... **D3/226**

(58) **Field of Classification Search**  
USPC ..... D3/226, 221, 224, 228; 224/219, 222,  
224/240, 578-579, 645, 660, 680;  
150/107-110

FIG. 1 is a perspective view of the diaper fanny pack;  
FIG. 2 is a top view of the diaper fanny pack of FIG. 1;  
FIG. 3 is a bottom view of the diaper fanny pack of FIG. 1;  
FIG. 4 is a front view of the diaper fanny pack of FIG. 1;  
FIG. 5 is a rear view of the diaper fanny pack of FIG. 1; and,  
FIG. 6 is a left side view of the diaper fanny pack of FIG. 1, the right side view being a mirror image.

CPC ..... A45F 3/02; A45F 3/005  
See application file for complete search history.

**1 Claim, 6 Drawing Sheets**

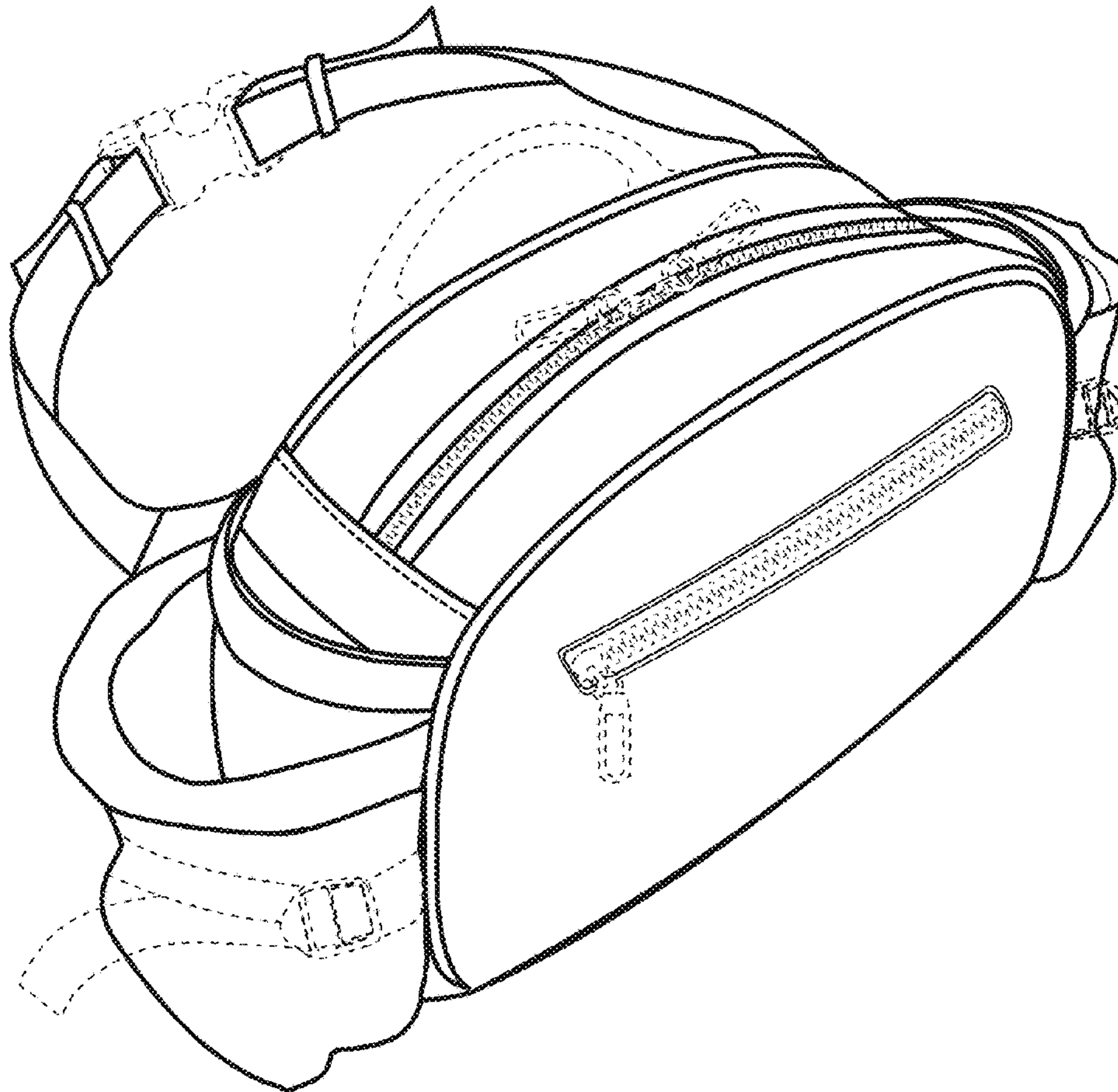


FIG. 1

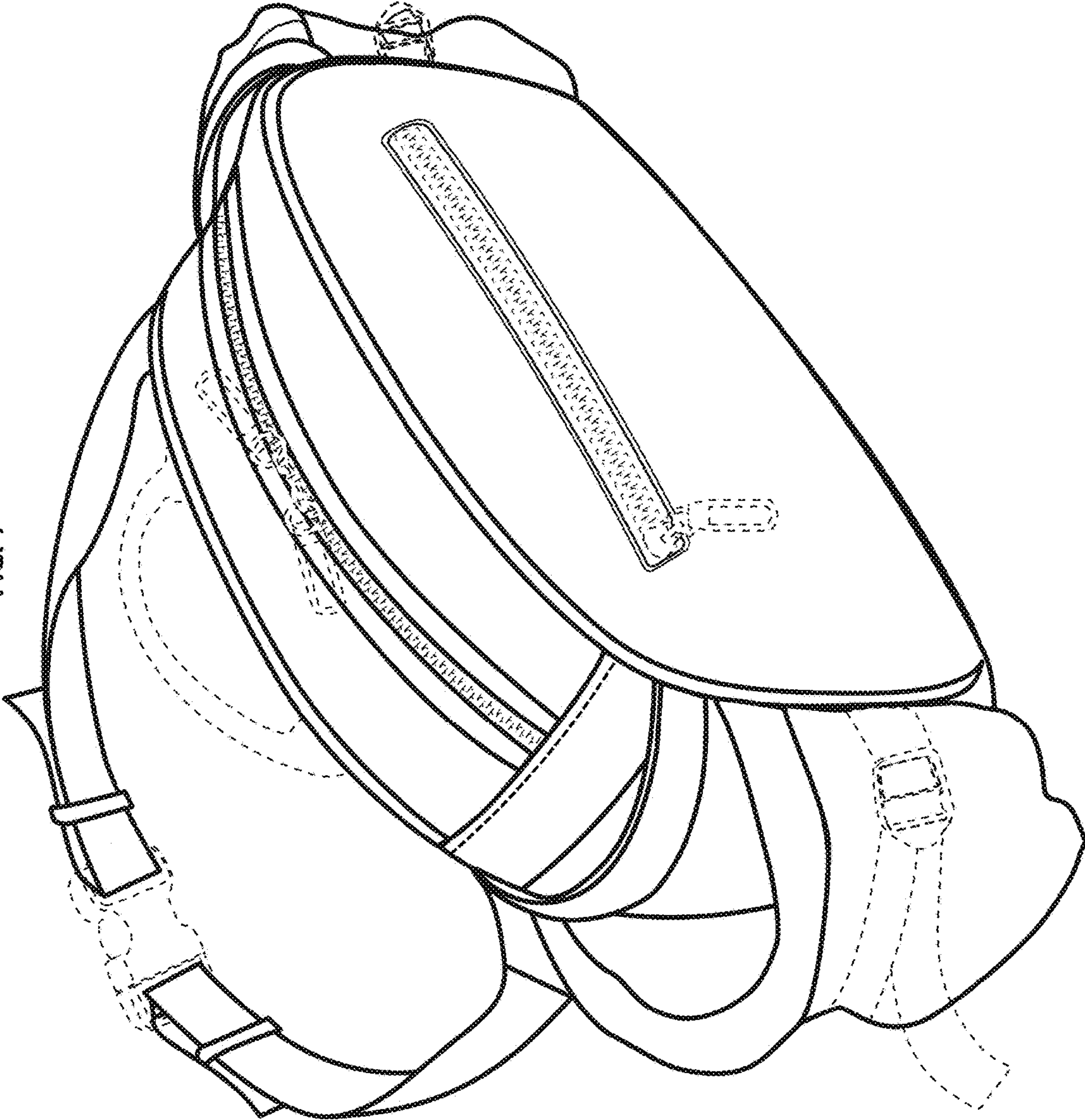


FIG. 2

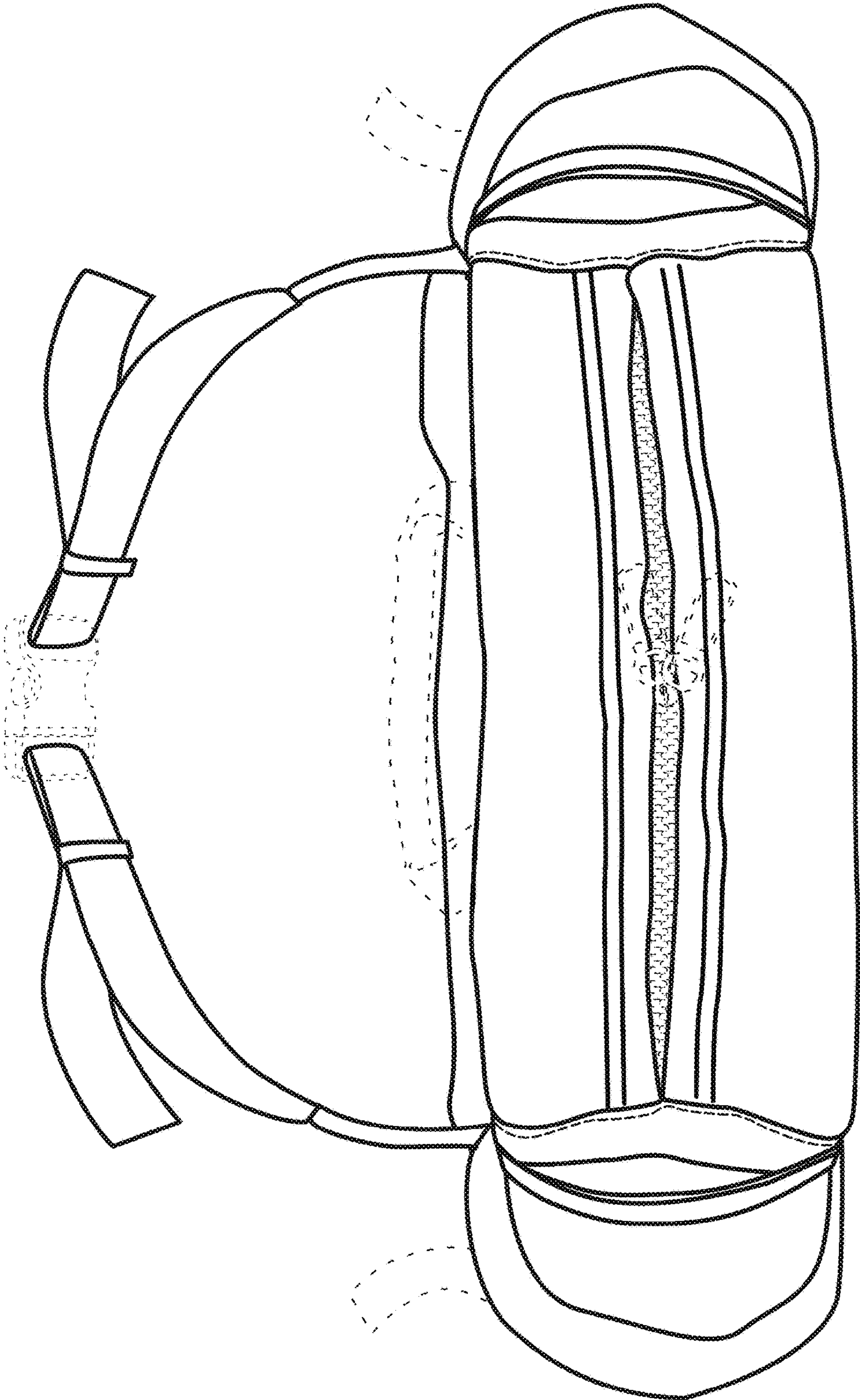




FIG. 3

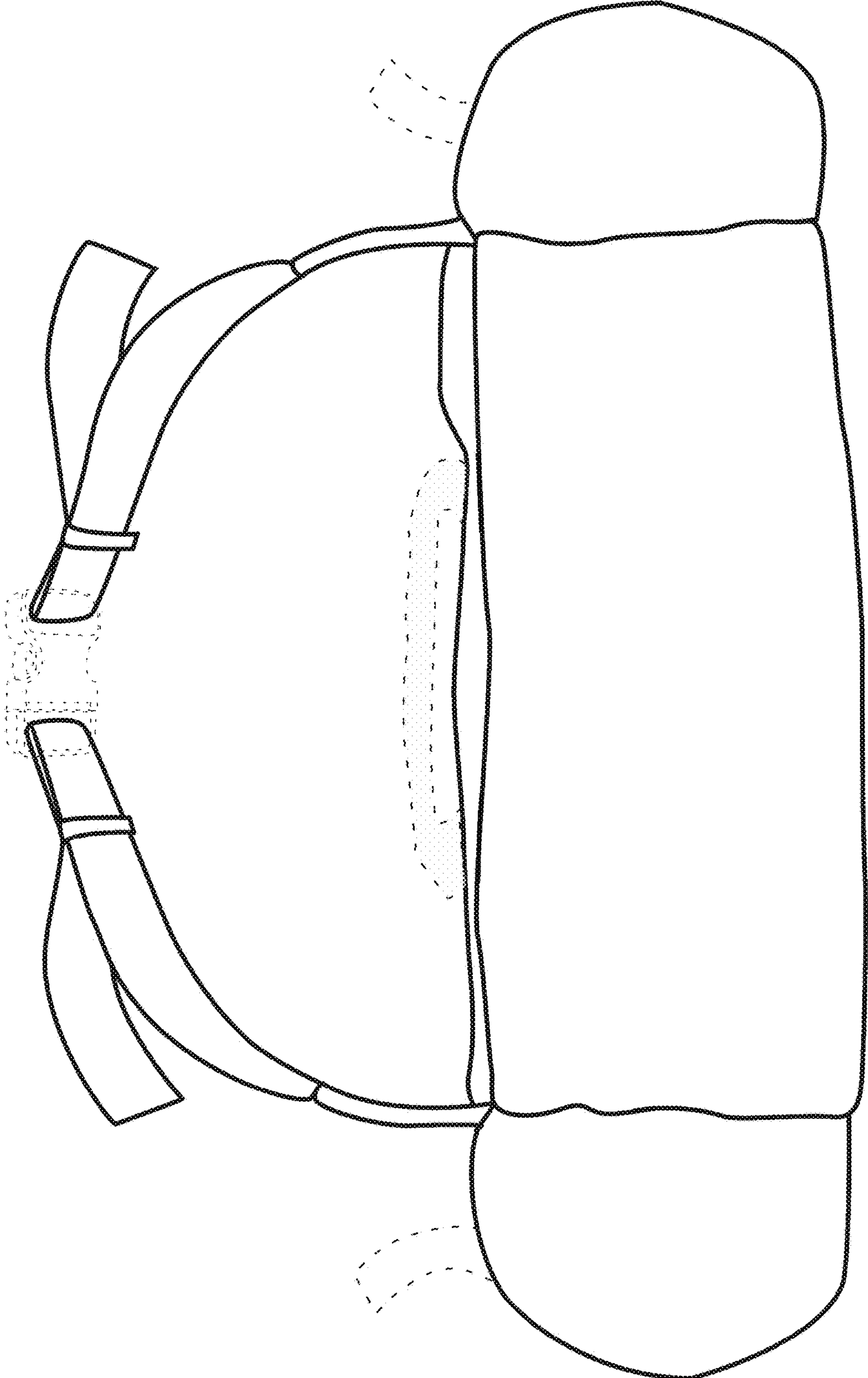


FIG. 4

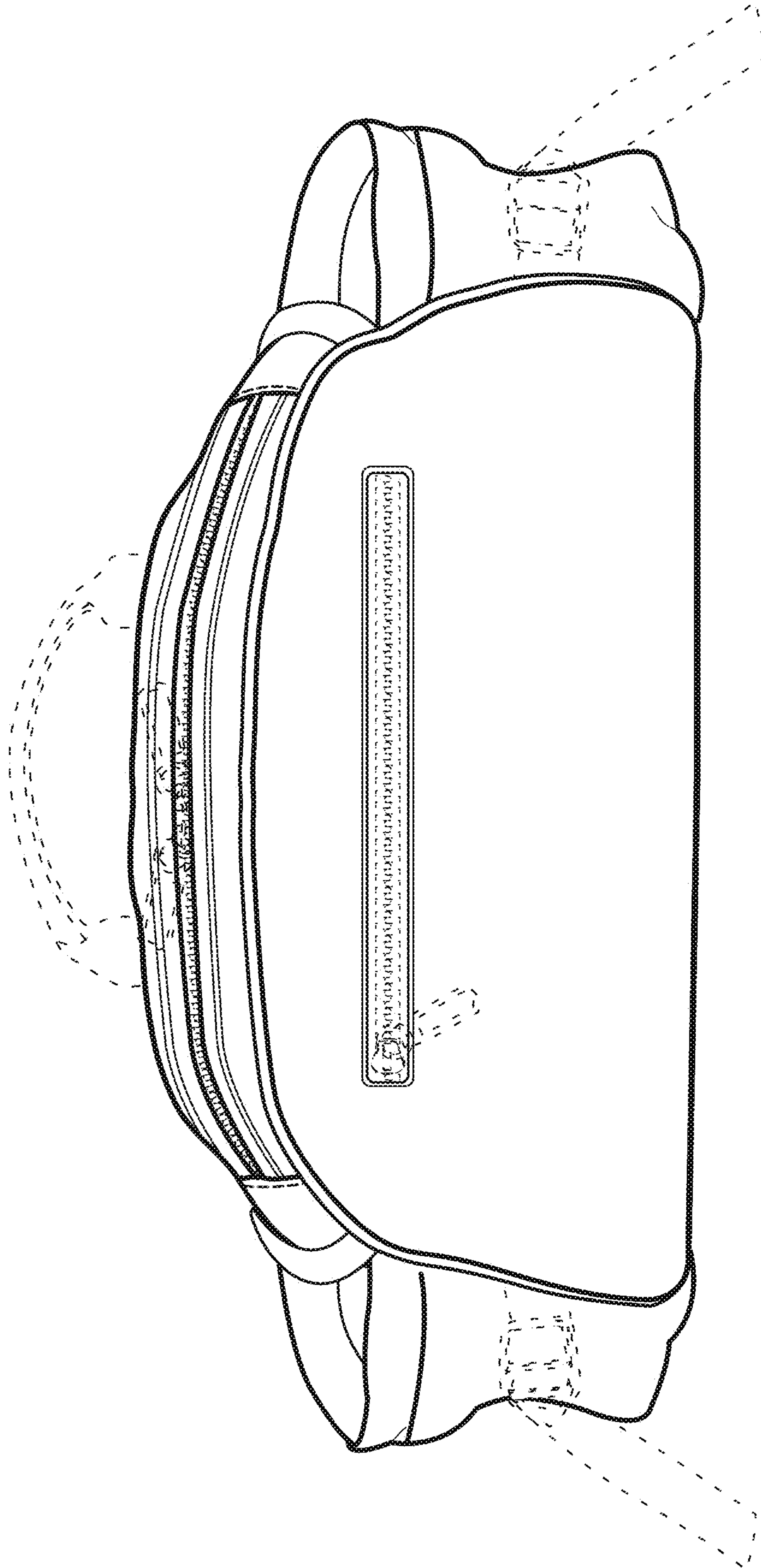


FIG. 5

