



US00D787176S

(12) **United States Design Patent**
Wilson

(10) **Patent No.:** **US D787,176 S**

(45) **Date of Patent:** **** May 23, 2017**

(54) **FISHING ROD REST**

(71) Applicant: **David Wilson**, Rye, NH (US)

(72) Inventor: **David Wilson**, Rye, NH (US)

(**) Term: **15 Years**

(21) Appl. No.: **29/551,992**

(22) Filed: **Jan. 19, 2016**

(51) **LOC (10) Cl.** **03-01**

(52) **U.S. Cl.**
USPC **D3/221**

(58) **Field of Classification Search**
USPC D3/221, 215, 228; 43/21.2; 224/200,
224/222, 242, 251, 535, 537, 569, 571,
224/673, 904, 922; 248/156
CPC A01K 97/04; A01K 97/08; A01K 97/10;
A45F 5/02; A45F 5/009; A45F 5/021
See application file for complete search history.

(56) **References Cited**

U.S. PATENT DOCUMENTS

1,170,859 A * 2/1916 Walker A45F 5/02
224/251
5,386,932 A * 2/1995 Gross A01K 97/10
224/200

D464,705 S * 10/2002 Ratliffe D22/147
D523,109 S * 6/2006 Palmer, Jr. A01K 97/10
D22/147
D604,946 S * 12/2009 Drake D22/147
D605,851 S * 12/2009 Drake D22/147
8,261,483 B2 * 9/2012 Kemper A01K 97/10
43/21.2
D720,528 S * 1/2015 Young D3/221
D754,429 S * 4/2016 Johns D22/147

* cited by examiner

Primary Examiner — Catheri Oliver-Garcia

(74) *Attorney, Agent, or Firm* — Bay State IP, LLC

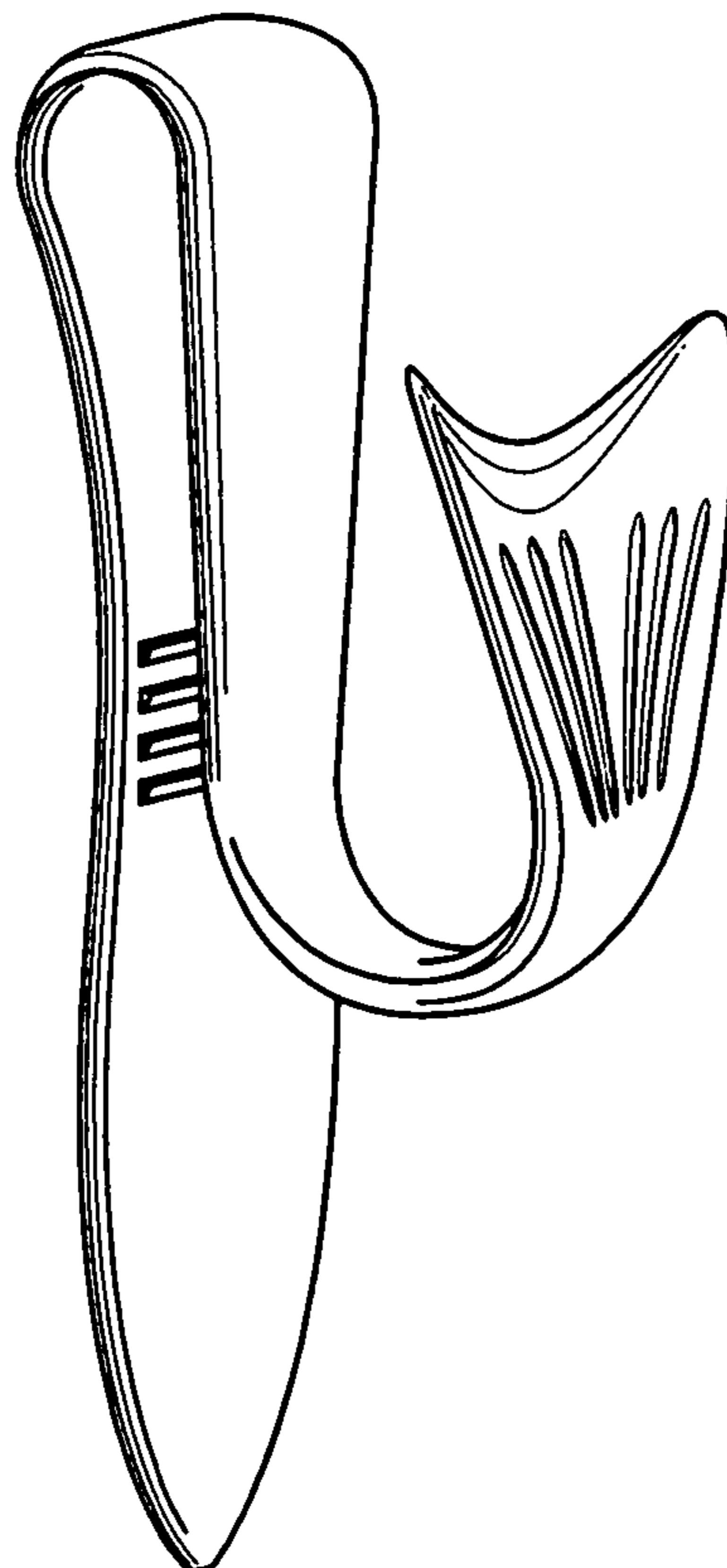
(57) **CLAIM**

I claim the ornamental design for a fishing rod rest, as shown and described.

DESCRIPTION

FIG. 1 is a front perspective view showing my design;
FIG. 2 is a top view thereof;
FIG. 3 is a bottom view thereof;
FIG. 4 is a side view thereof;
FIG. 5 is a front view thereof;
FIG. 6 is a rear view thereof; and,
FIG. 7 is a perspective view showing the design in an illustrative environment.
The broken lines depict environmental structure and form no part of the claimed design.

1 Claim, 3 Drawing Sheets



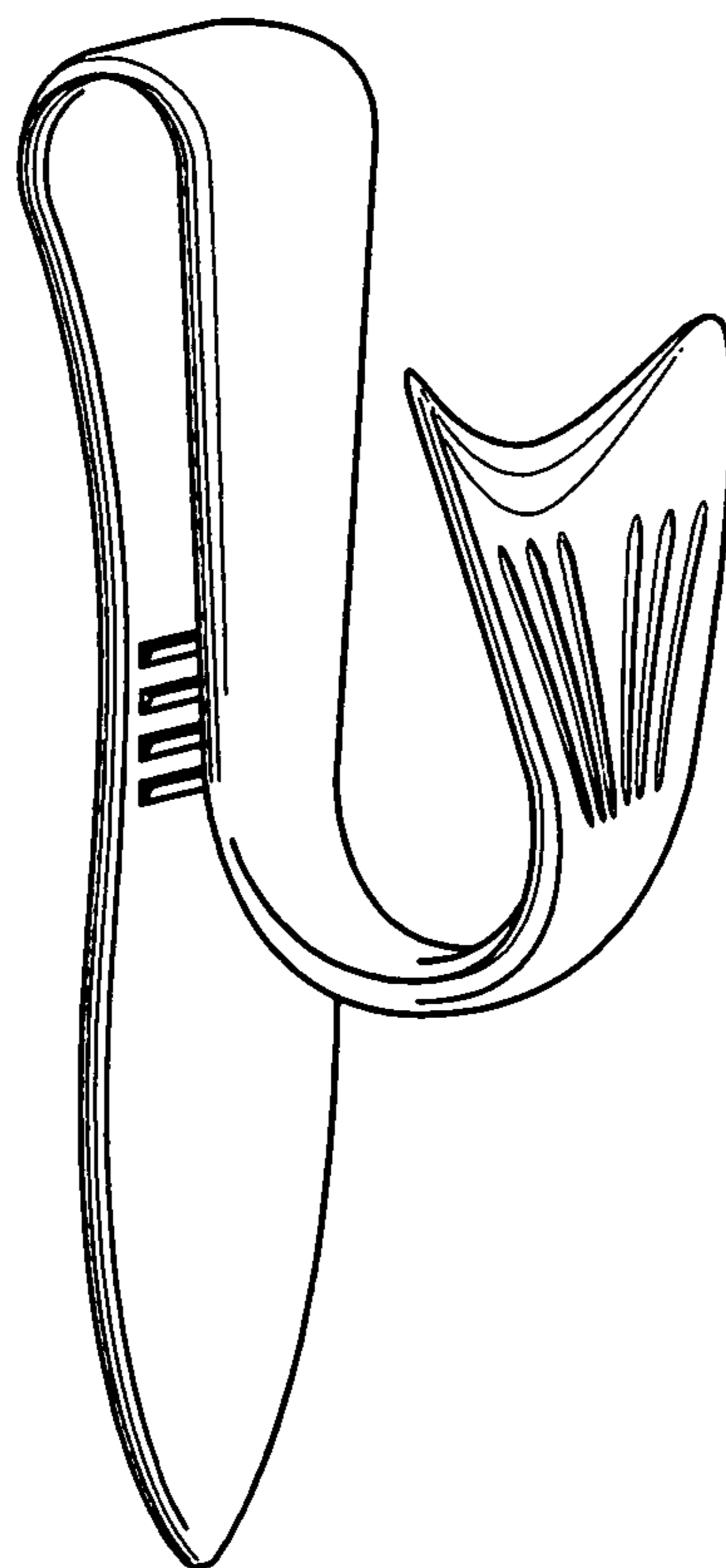


Fig. 1

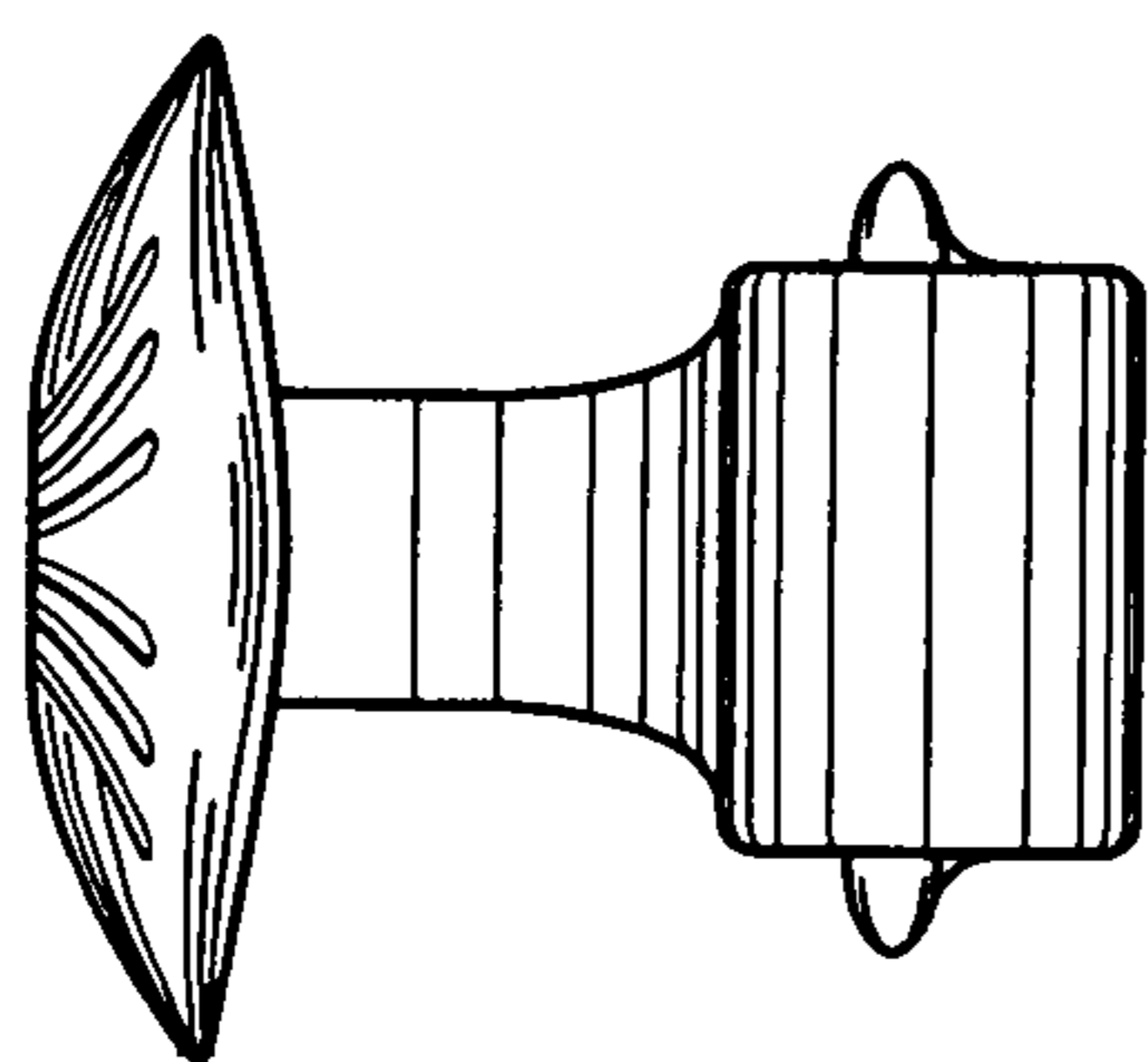


Fig. 2

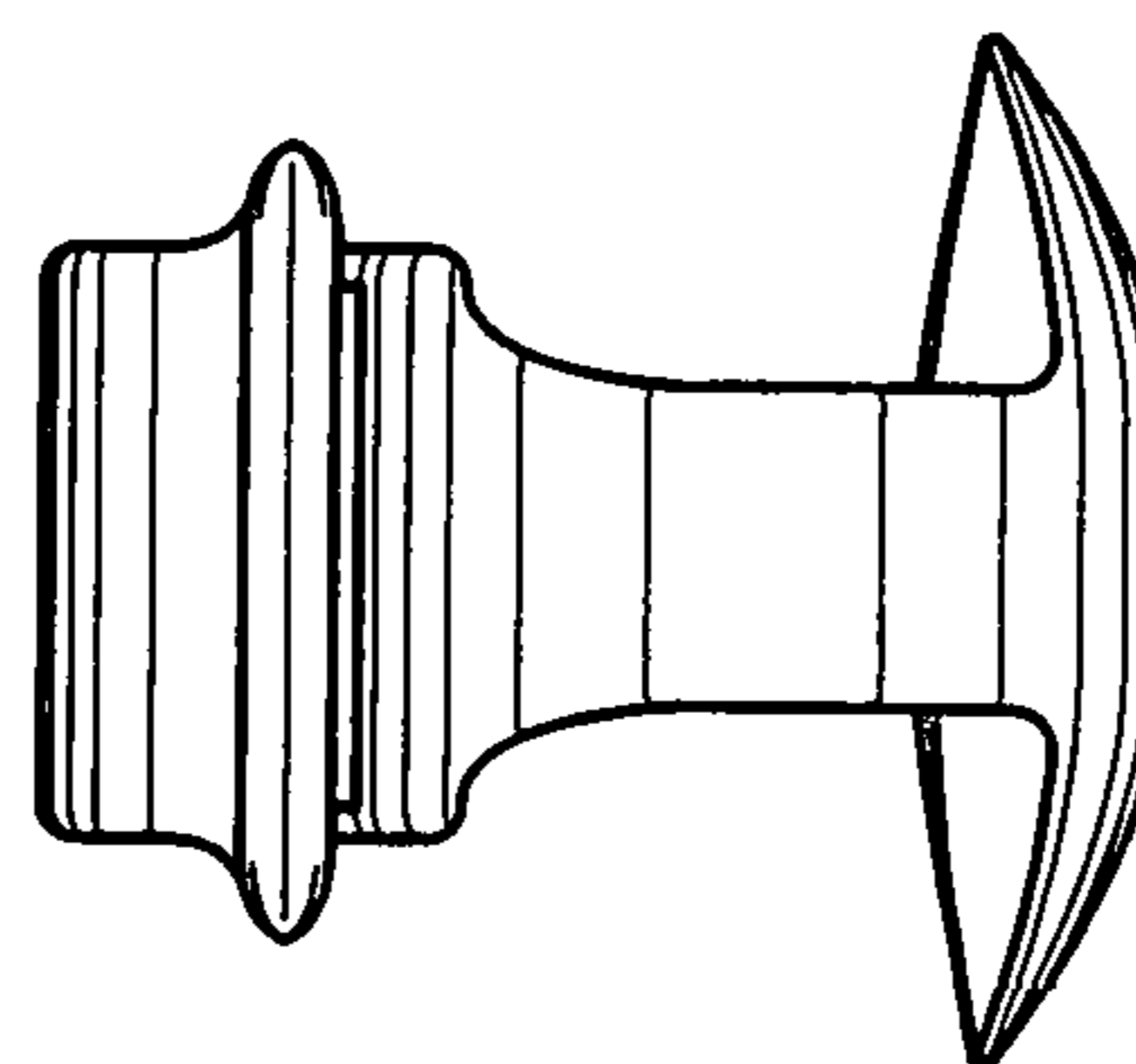


Fig. 3

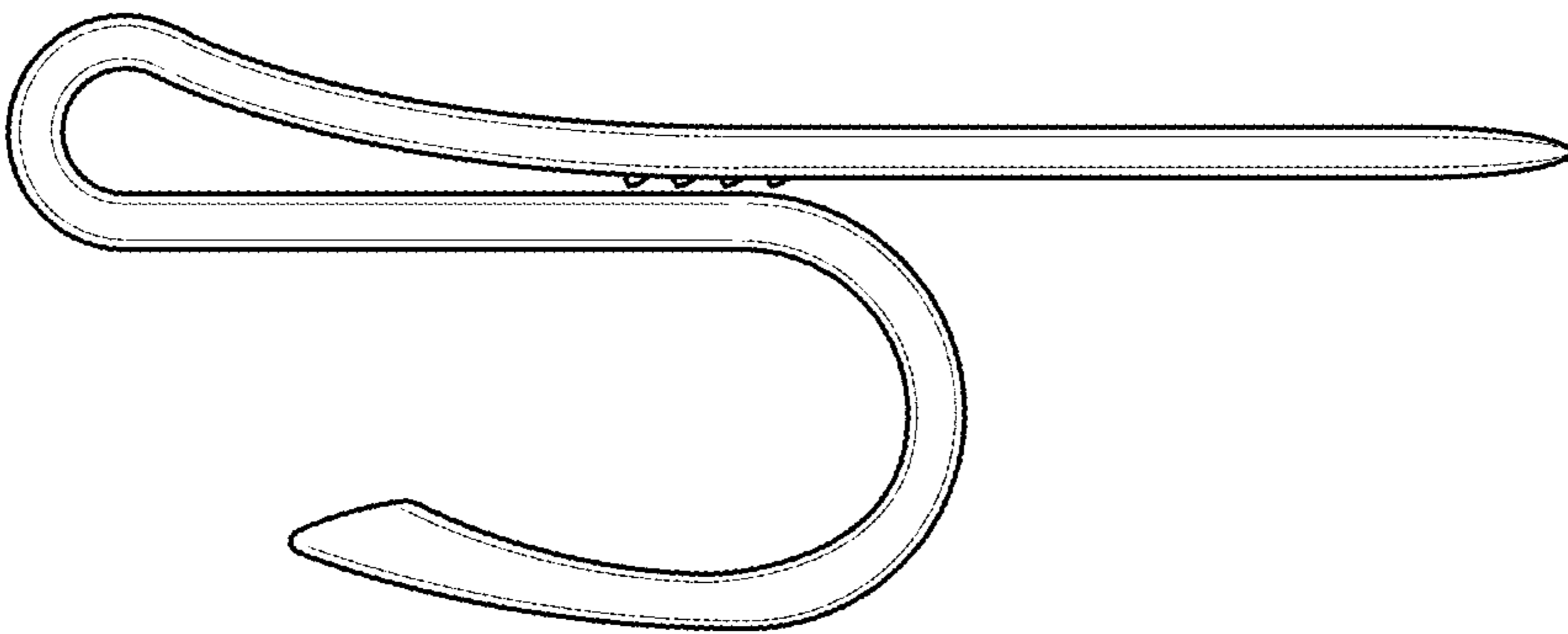


Fig. 4

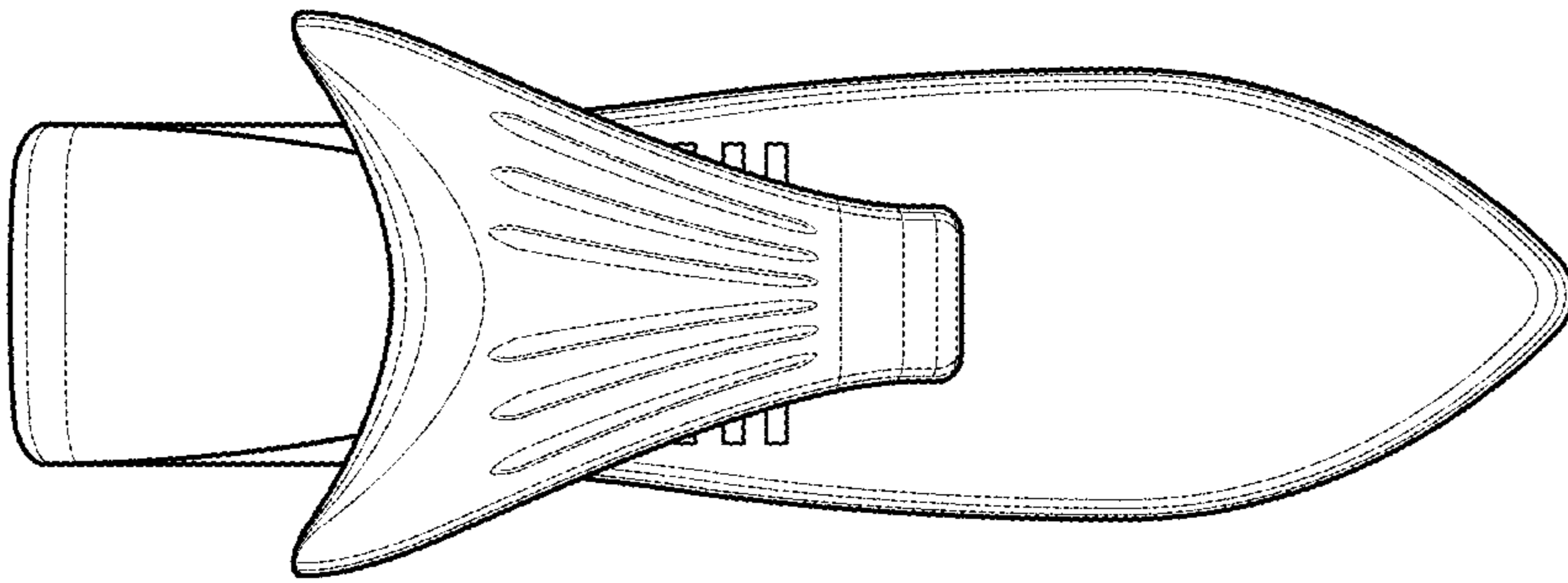


Fig. 5

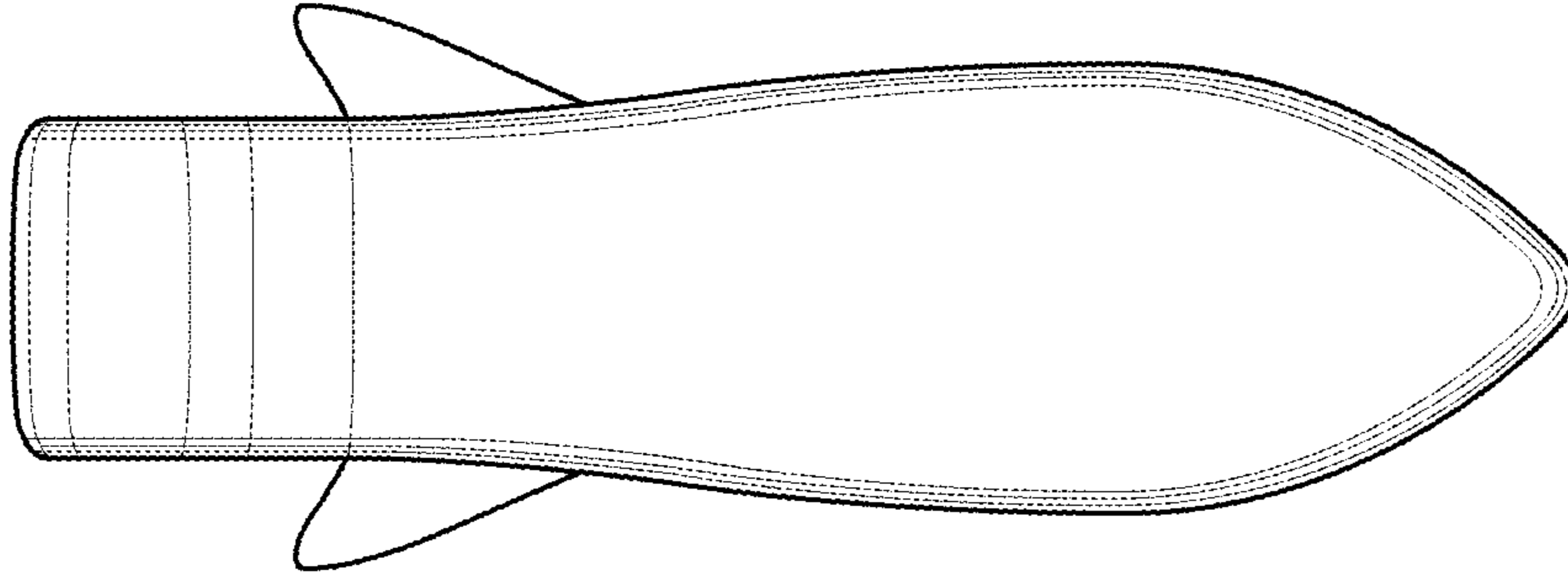


Fig. 6

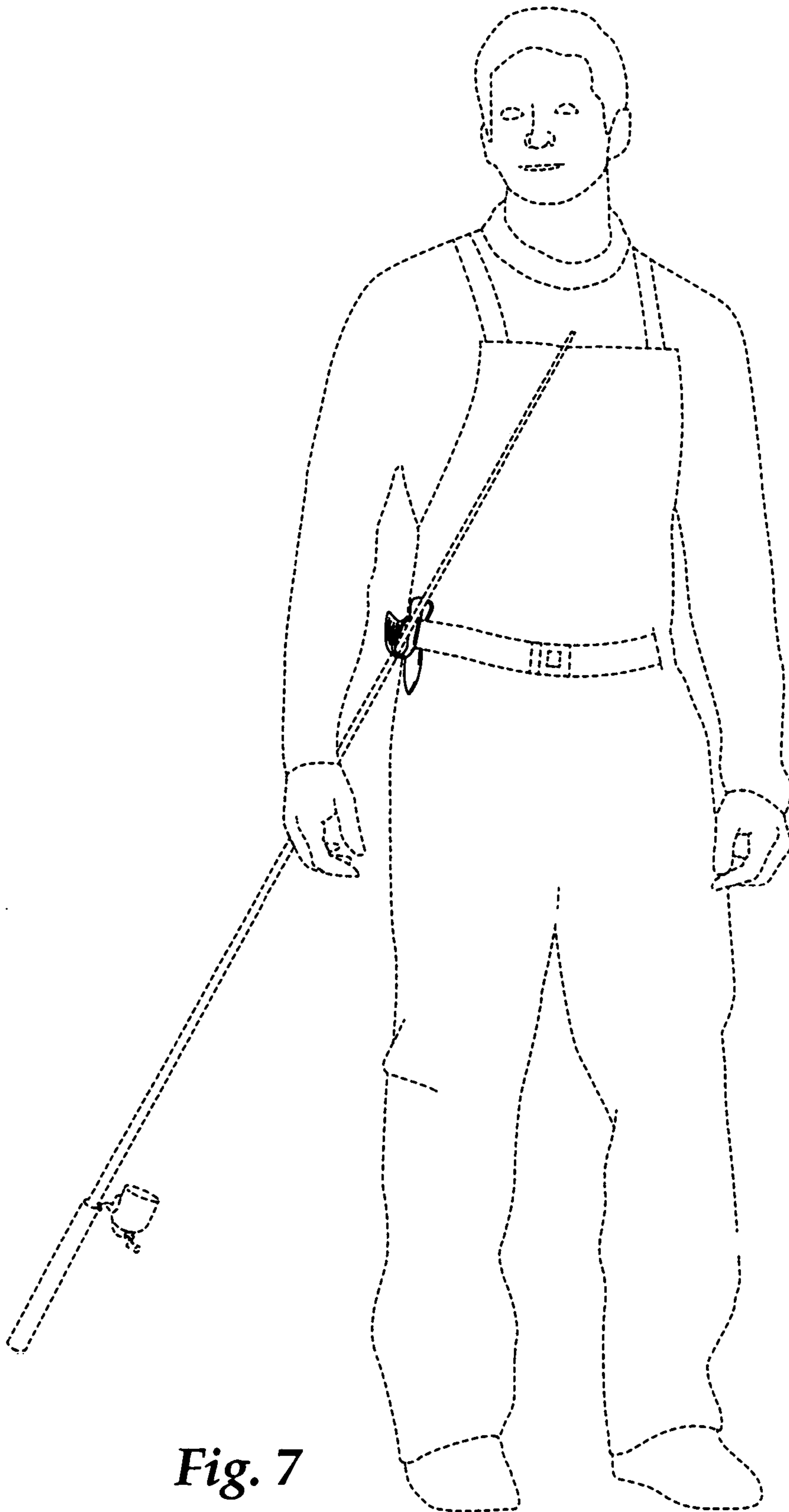


Fig. 7