



US00D787174S

(12) **United States Design Patent**
Oie et al.

(10) **Patent No.: US D787,174 S**
(45) **Date of Patent: ** May 23, 2017**

(54) **STORAGE BOX**

D218,679 S * 9/1970 Current D3/20
5,184,729 A * 2/1993 Zalenski 206/574
D339,470 S * 9/1993 Marks D3/262

(Continued)

(71) Applicant: **JANOME SEWING MACHINE CO., LTD.**, Hachioji-shi, Tokyo (JP)

(72) Inventors: **Takeshi Oie**, Kokubunji (JP); **Takashi Kanai**, Hachioji (JP); **Chihiro Kunii**, Hachioji (JP)

(73) Assignee: **JANOME SEWING MACHINE CO., LTD.**, Hachioji-Shi, Tokyo (JP)

(**) Term: **14 Years**

(21) Appl. No.: **29/476,918**

(22) Filed: **Dec. 18, 2013**

(30) **Foreign Application Priority Data**

Nov. 8, 2013 (JP) 2013-026095

(51) **LOC (10) Cl.** **03-01**

(52) **U.S. Cl.**

USPC **D3/20**; D3/318

(58) **Field of Classification Search**

USPC D3/273, 276, 282, 283, 285, 287, 284,
D3/289, 290, 299, 301, 900, 902, 295,
D3/225, 215, 901, 20, 18, 262, 318, 319,
D3/903, 274; 150/100-126;
190/100-127; 206/574, 6.1, 581, 317;
223/107

CPC A45C 11/008; A45C 11/00; A45C 13/02;
A45D 29/20; D05B 91/00; D05B 1/12;
A45F 3/48

See application file for complete search history.

(56) **References Cited**

U.S. PATENT DOCUMENTS

2,038,319 A * 4/1936 Stanley 132/312
D209,499 S * 12/1967 Chase D3/23
D218,678 S * 9/1970 Wayne D3/20

OTHER PUBLICATIONS

Amazon.com, "Embroidex 15-Piece Sewing Machine Presser/Walking Feet Kit . . ." Accessed Apr. 15, 2016 (http://www.amazon.com/Embroidex-15-Piece-Machine-Babylock-Simplicity/dp/B00F3HMAIU/ref=cm_cr_ar_p_d_product_top?ie=UTF8).*

(Continued)

Primary Examiner — Jennifer Rivard

Assistant Examiner — April Rivas

(74) *Attorney, Agent, or Firm* — Nath, Goldberg & Meyer; Jerald L. Meyer; Christopher Thomas

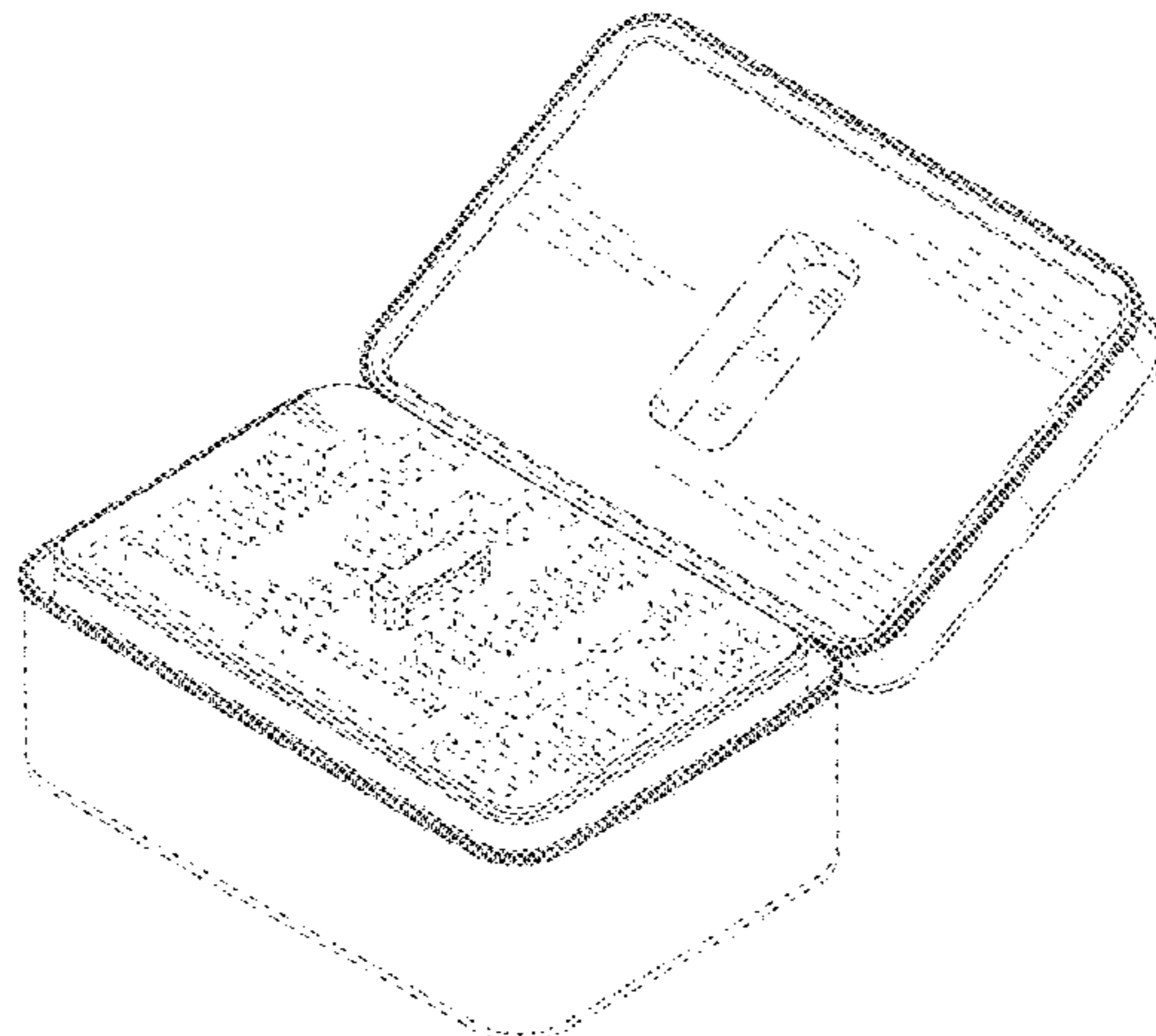
(57) **CLAIM**

The ornamental design for a storage box, as shown and described.

DESCRIPTION

FIG. 1 is a front view of a storage box showing our new design;
FIG. 2 is a rear view thereof;
FIG. 3 is a right side view thereof, the left side view being a mirror image;
FIG. 4 is a top view thereof;
FIG. 5 is a bottom view thereof;
FIG. 6 is a perspective view thereof;
FIG. 7 is a front view of the storage box in an open state;
FIG. 8 is a rear view thereof;
FIG. 9 is a right side view thereof, the left side view being a mirror image;
FIG. 10 is a top view thereof;
FIG. 11 is a bottom view thereof; and,
FIG. 12 is a perspective view thereof.

(Continued)



The broken lines illustrate portions of the storage box. The dash-dot-dash line broken lines illustrate the bounds of the claim. None of the broken lines or area within form part of the claimed design.

1 Claim, 12 Drawing Sheets

D560,361	S *	1/2008	Huang	D3/301
D588,799	S *	3/2009	Garland et al.	D3/205
D632,079	S *	2/2011	Spencer et al.	D3/301
D639,064	S *	6/2011	Raible	D3/301
D659,998	S *	5/2012	Austin	D3/301
8,272,505	B2 *	9/2012	Melamed	206/6.1
8,789,541	B1 *	7/2014	Evans	132/294
2013/0277262	A1 *	10/2013	Nemard	206/438
2014/0299505	A1 *	10/2014	Stahle	206/546

(56)

References Cited

U.S. PATENT DOCUMENTS

5,379,887	A *	1/1995	Conley, Jr.	206/232
D375,621	S *	11/1996	Sudbrock	D3/20
5,662,219	A *	9/1997	Tschudy et al.	206/317
5,671,846	A *	9/1997	Frank	206/541
D396,750	S *	8/1998	Slater et al.	D3/295
6,109,442	A *	8/2000	Roegner	206/581
D455,005	S *	4/2002	Wolf	D3/205
D467,427	S *	12/2002	Wolf	D3/276
D500,095	S *	12/2004	Creech	D21/385
7,165,673	B2 *	1/2007	Marks	206/373
D554,866	S *	11/2007	Hasty	D3/319

OTHER PUBLICATIONS

Ebay Sales, "Sewing Machine Presser Foot Feet Set Janome . . ." and purchase history. Accessed Apr. 15, 2016 (<http://www.ebay.com/itm/Sewing-Machine-Presser-Foot-Feet-Set-Janome-Singer-Brother-Machines-Budget-Parts-/260910388311>).*

Ken's Sewing Center, "Janome Skyline Sewing Machine Foot Accessory Case 9mm", Accessed Apr. 18, 2016. (<http://www.kenssewingcenter.com/janome-skyline-sewing-machine-foot-accessory-case-9mm-p-32316.html>).*

Janome Institute 2013, Navigate a New Direction, 41 pages, publicly exhibited in Las Vegas, NV, Aug. 25-28, 2013.

* cited by examiner

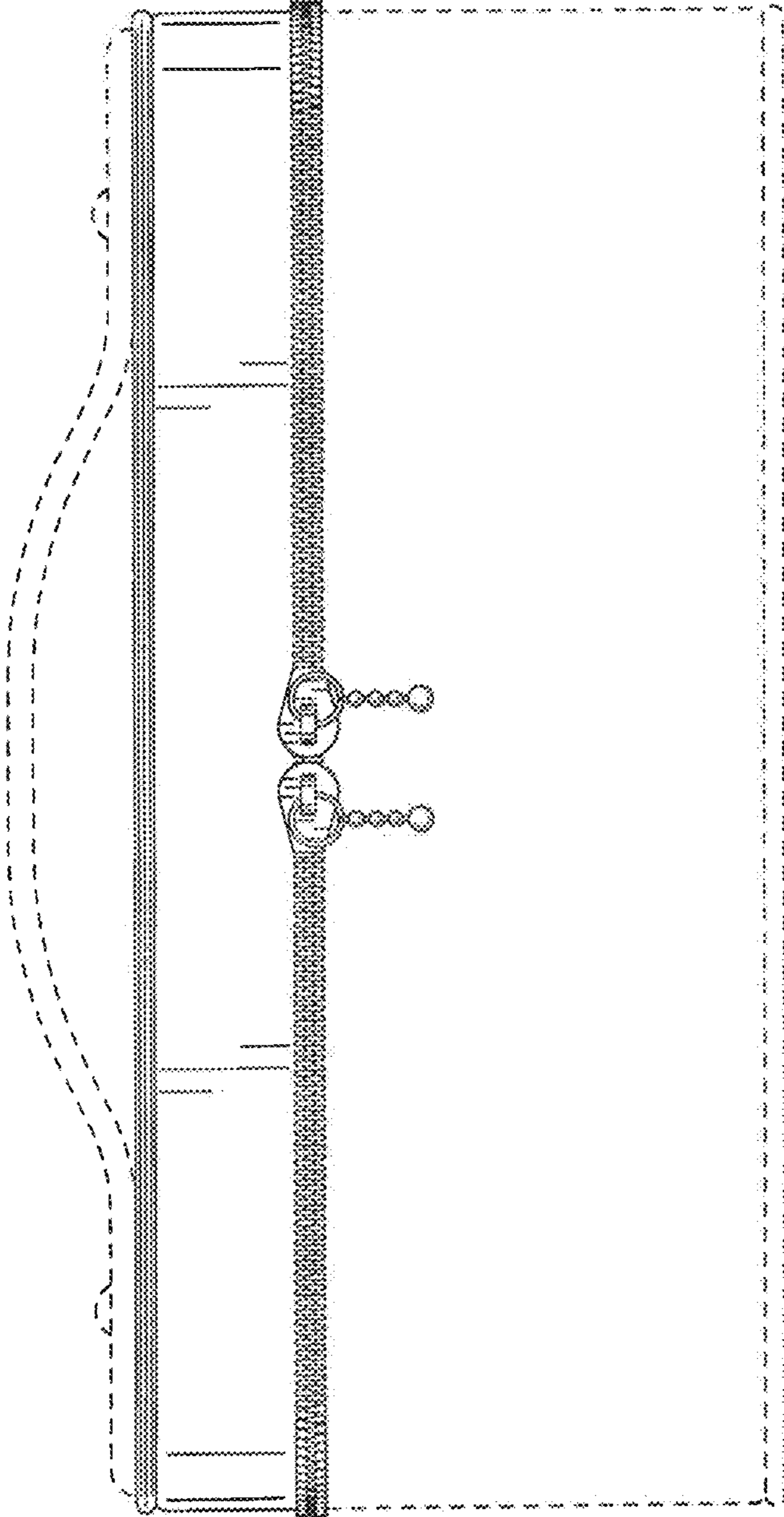


FIG. 1

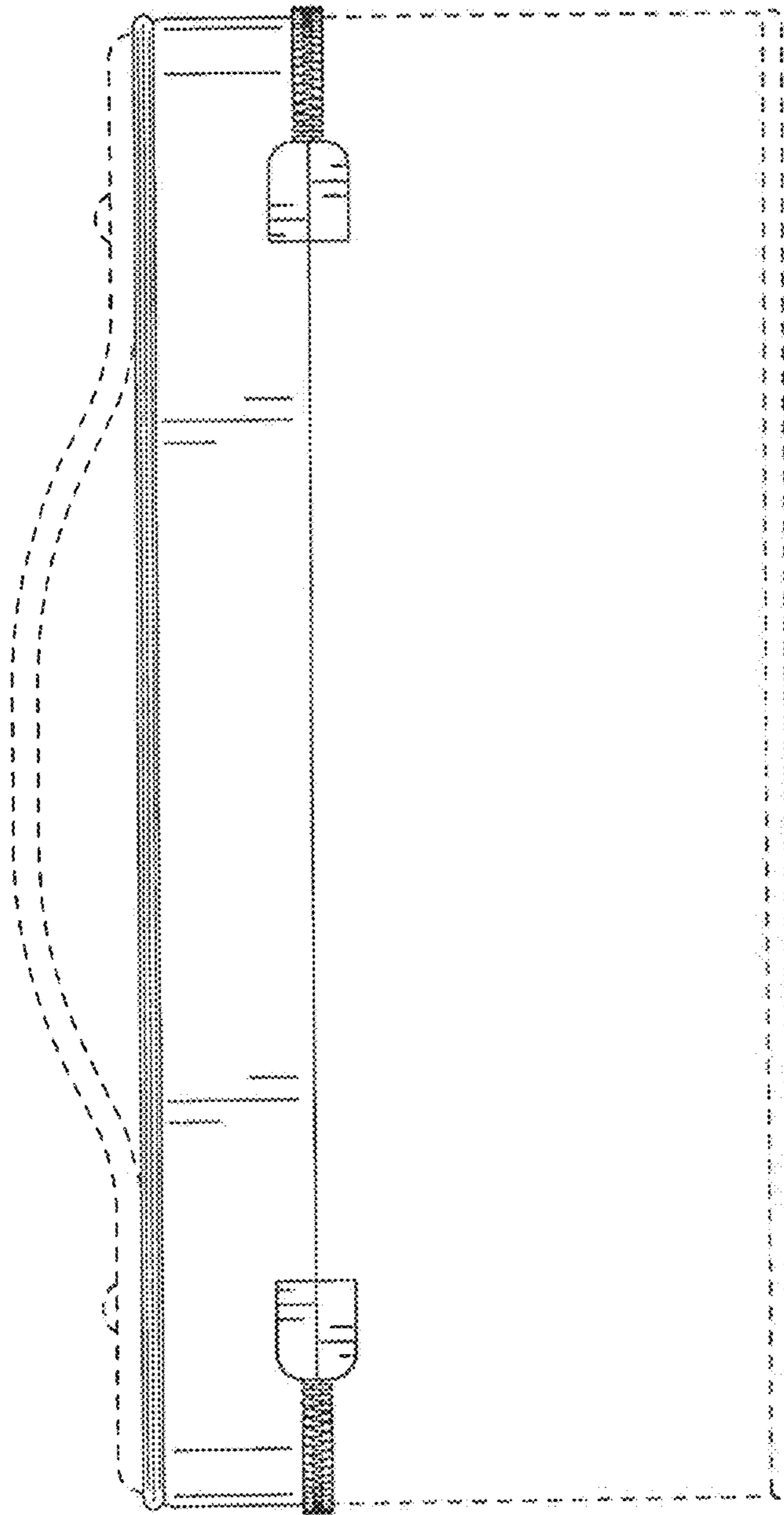


FIG. 2

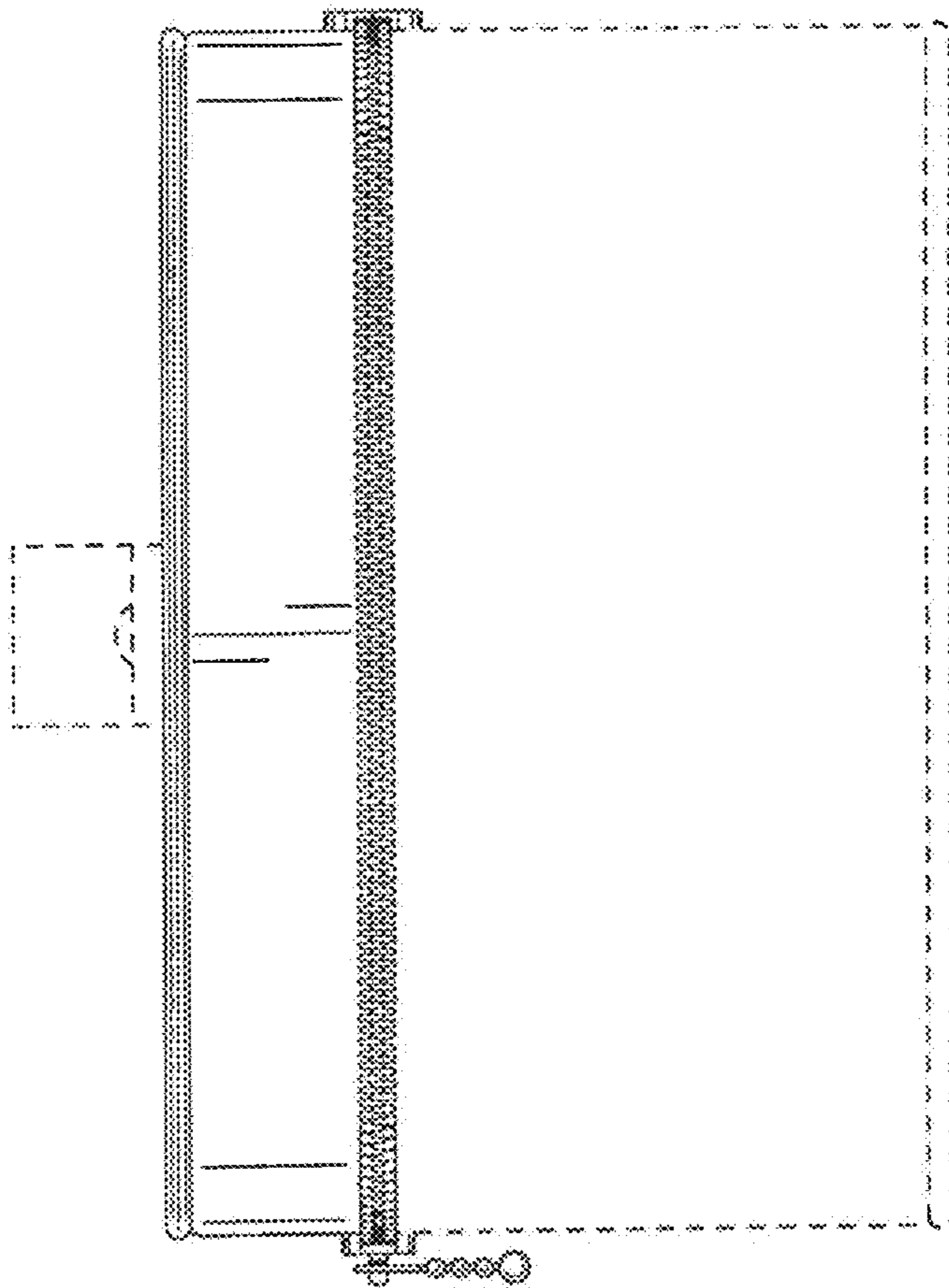


FIG. 3

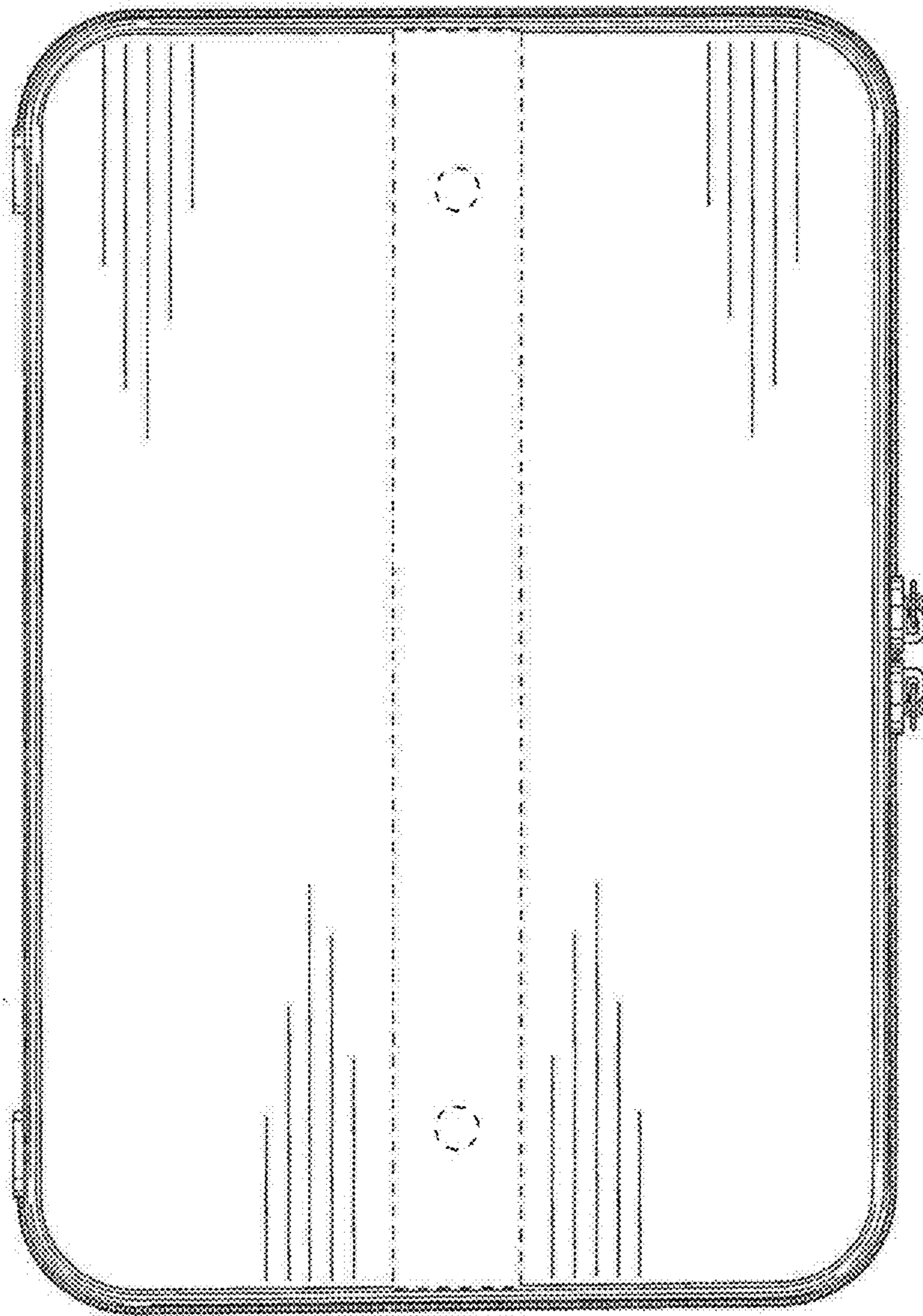


FIG. 4

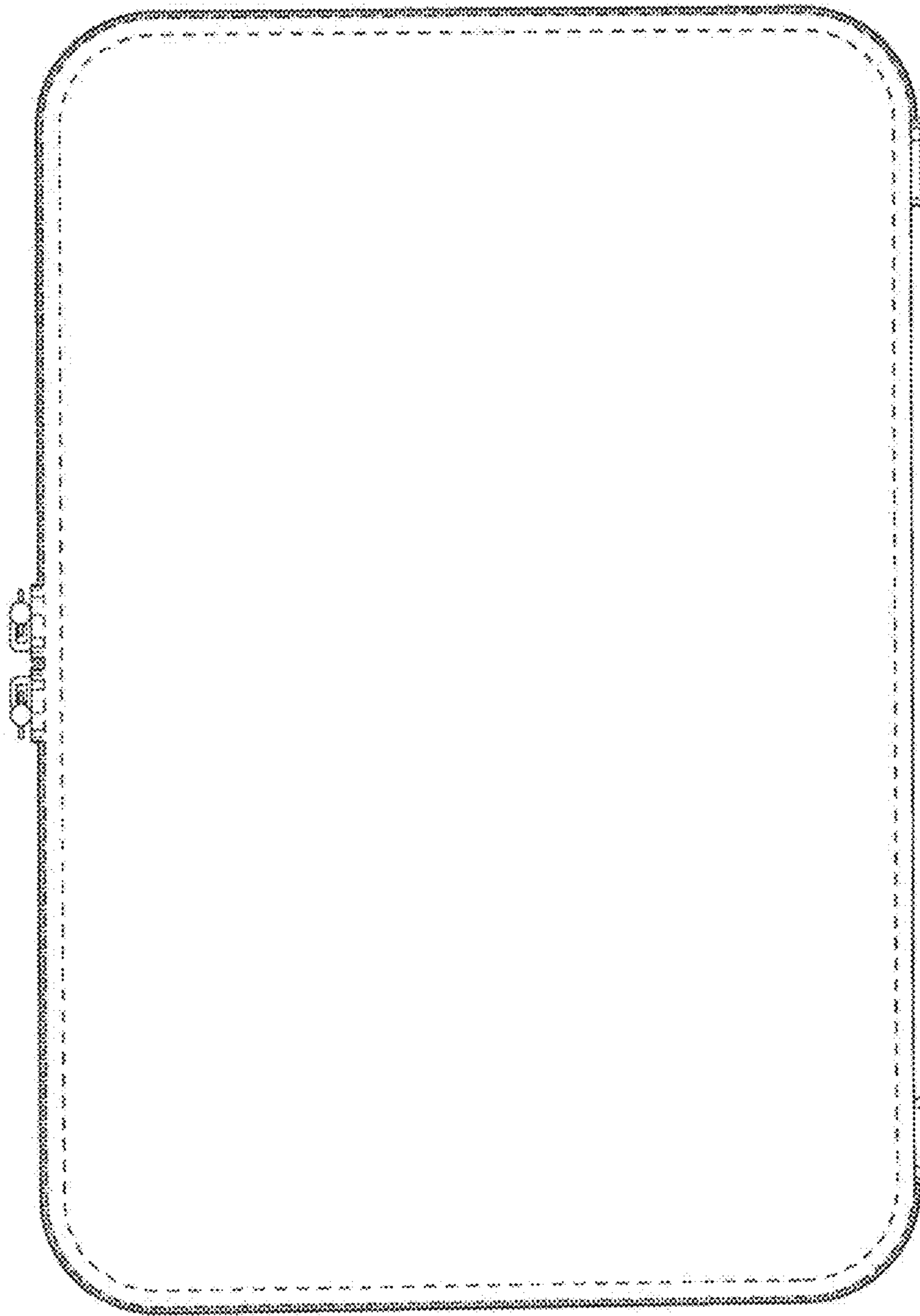


FIG. 5

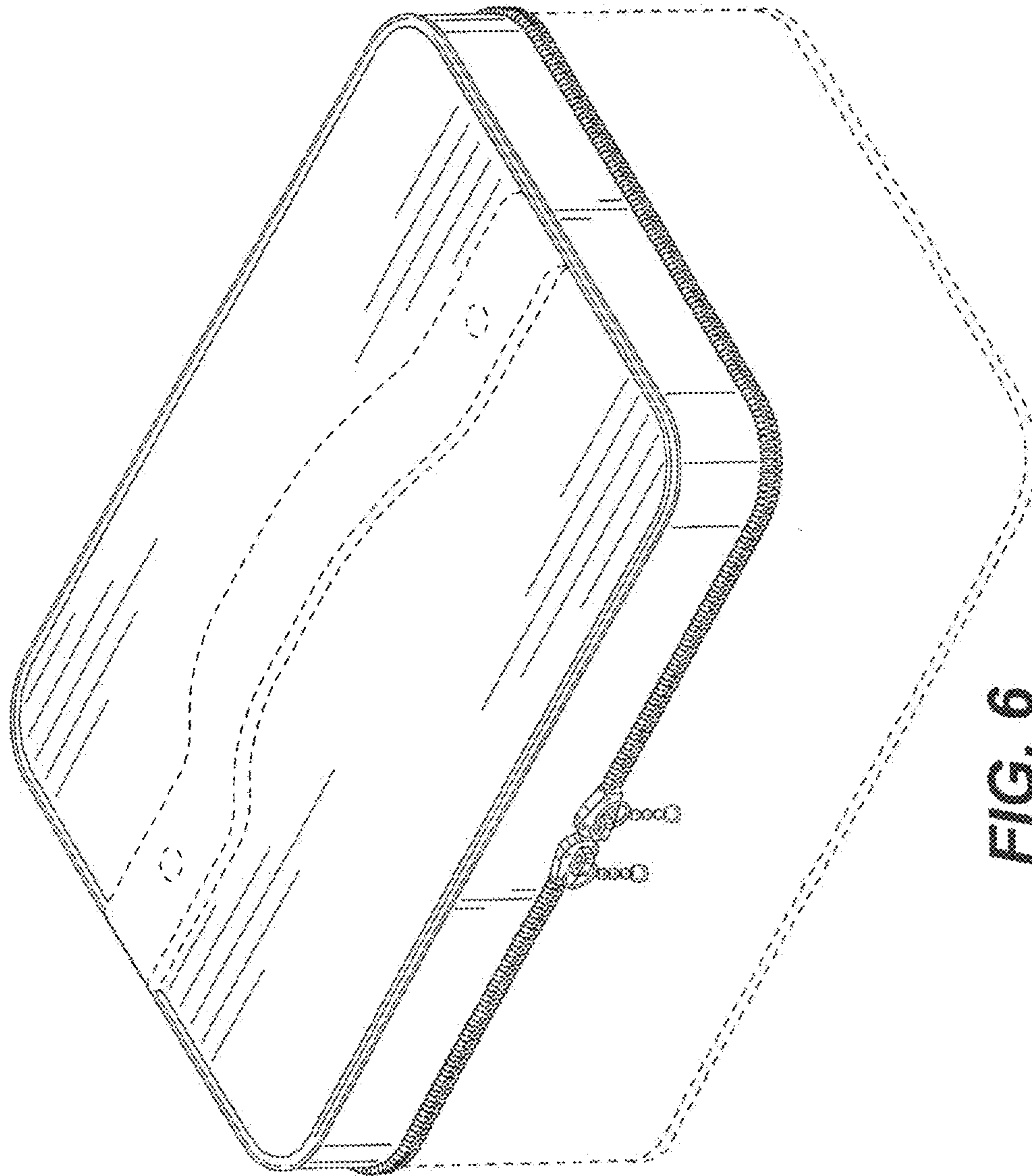


FIG. 6

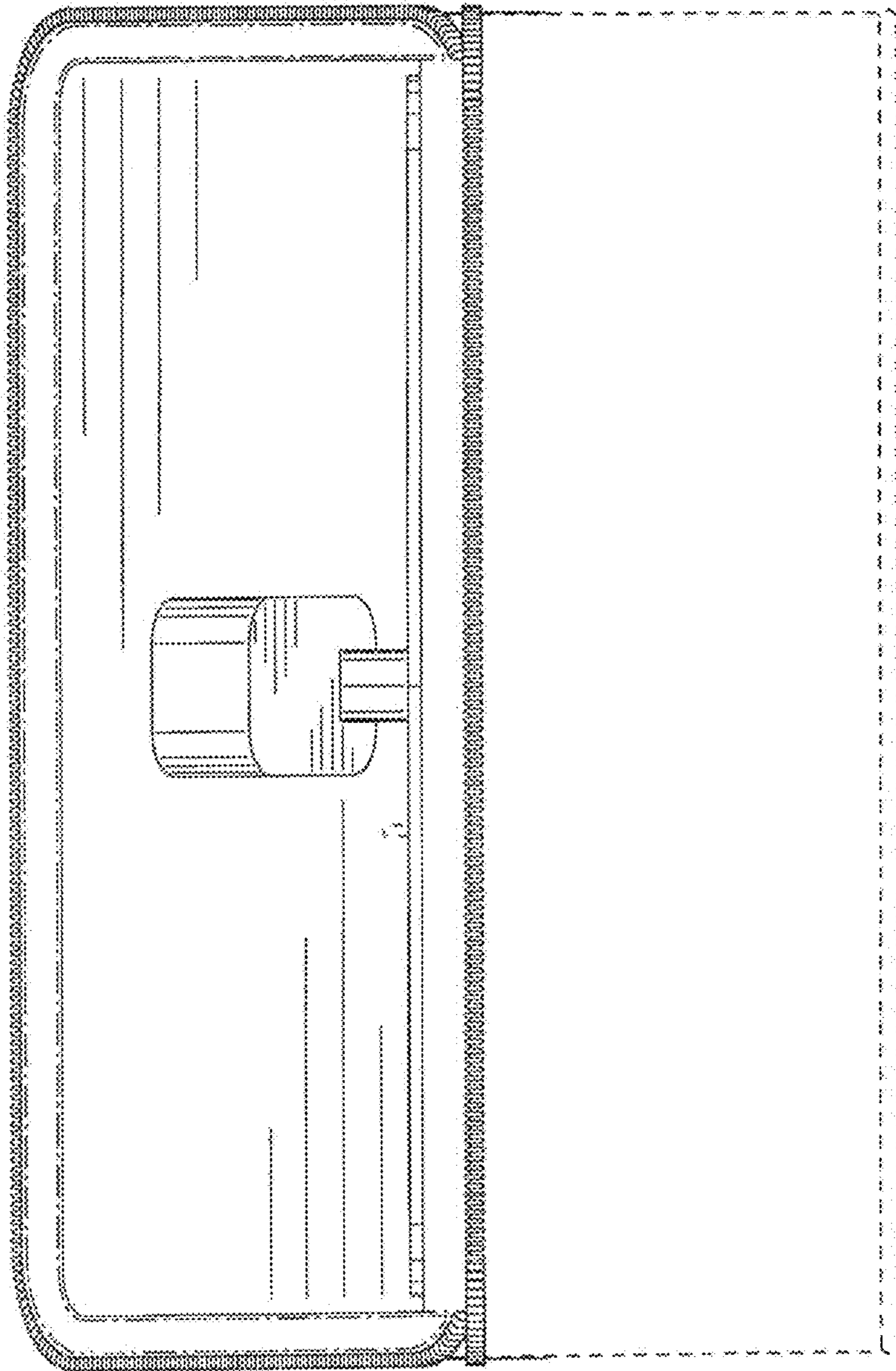


FIG. 7

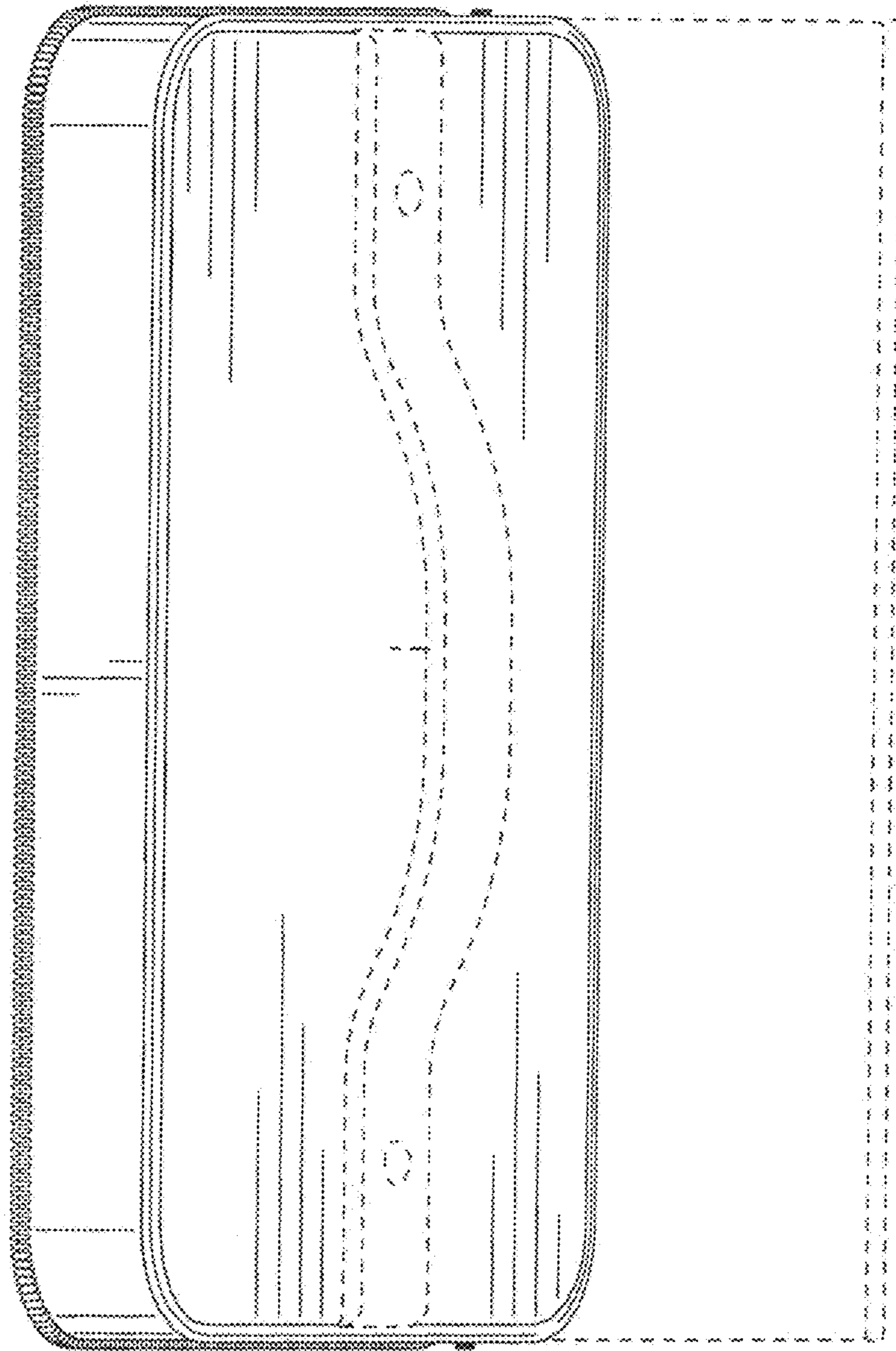


FIG. 8

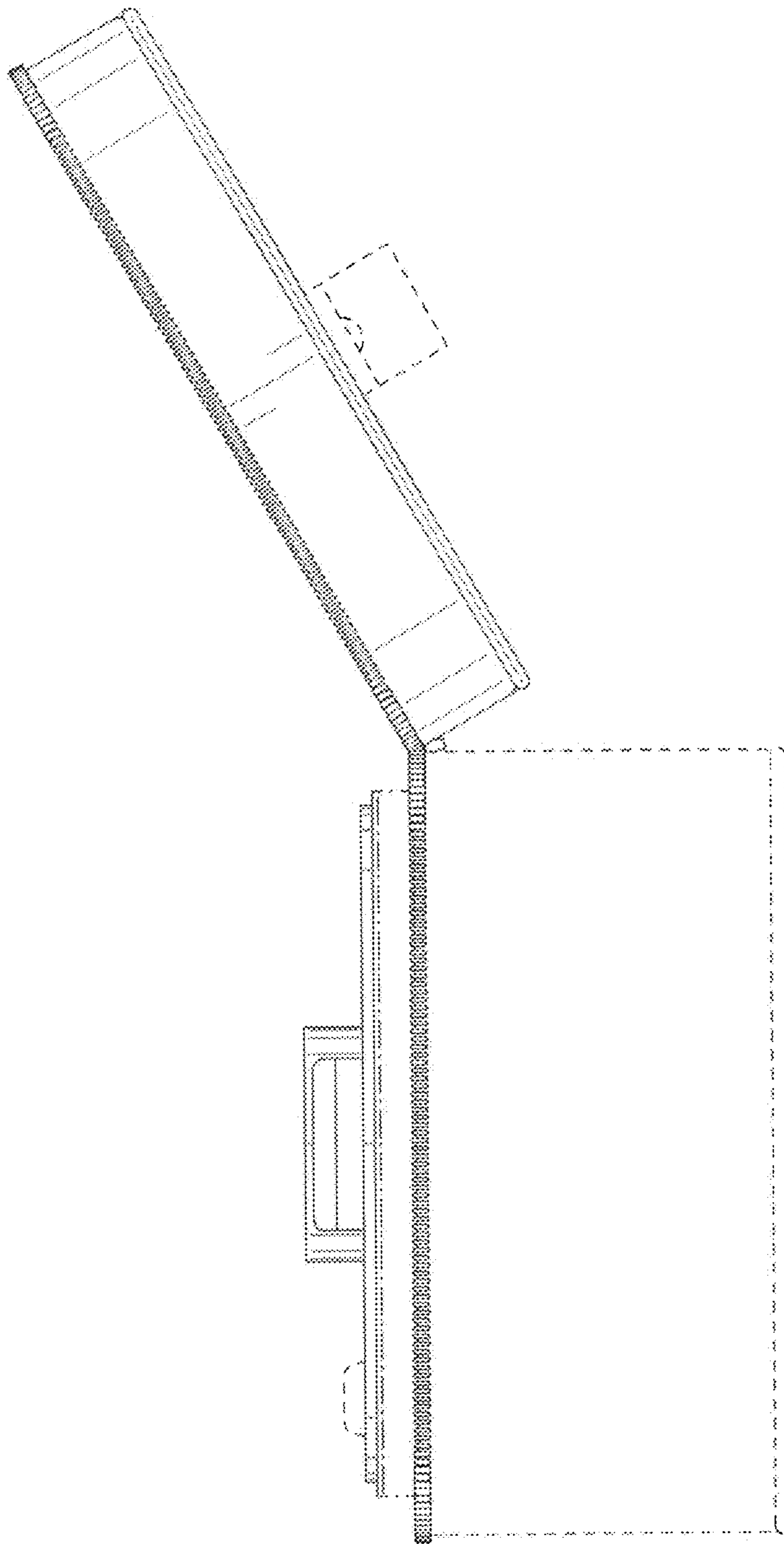


FIG. 9

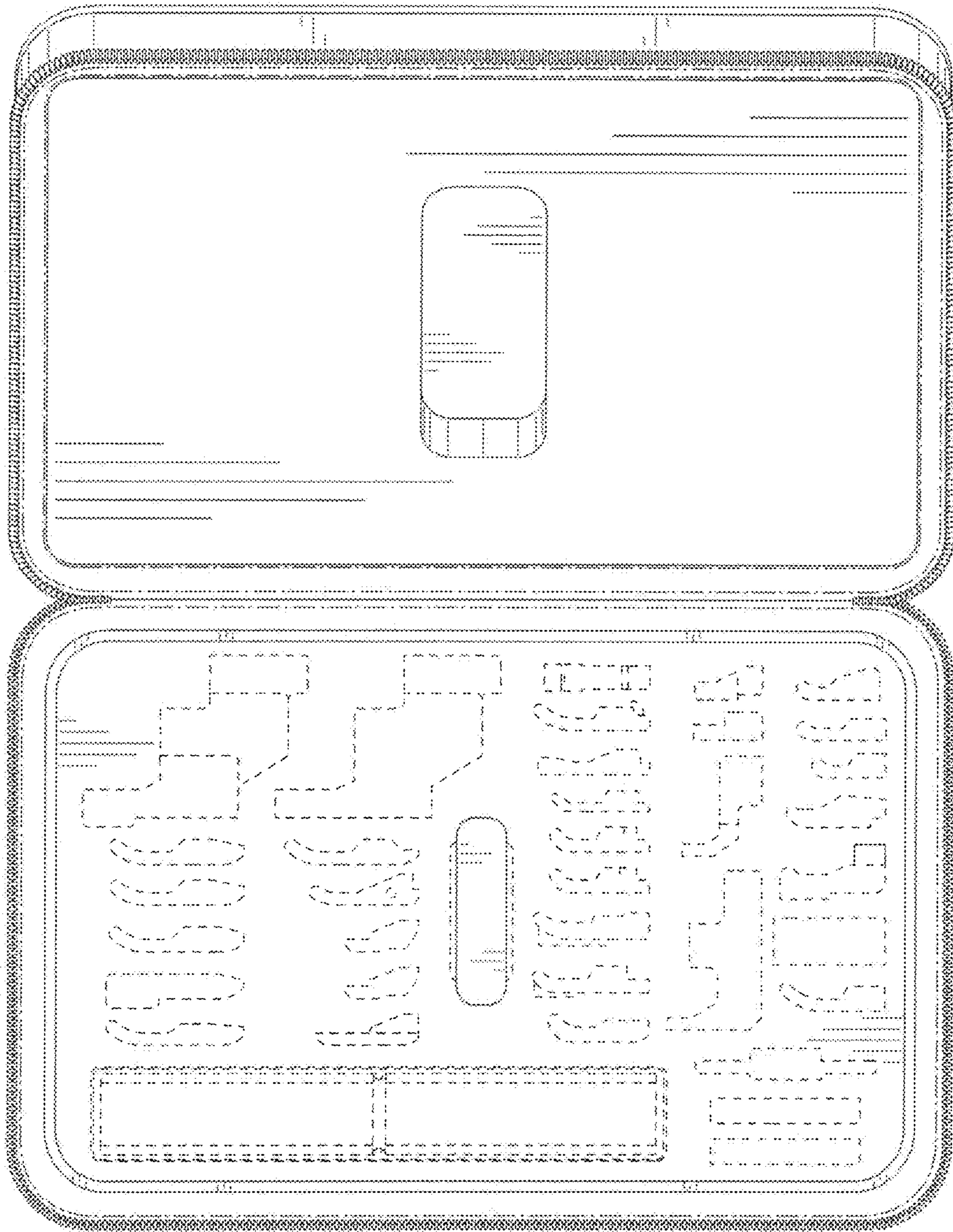


FIG. 10

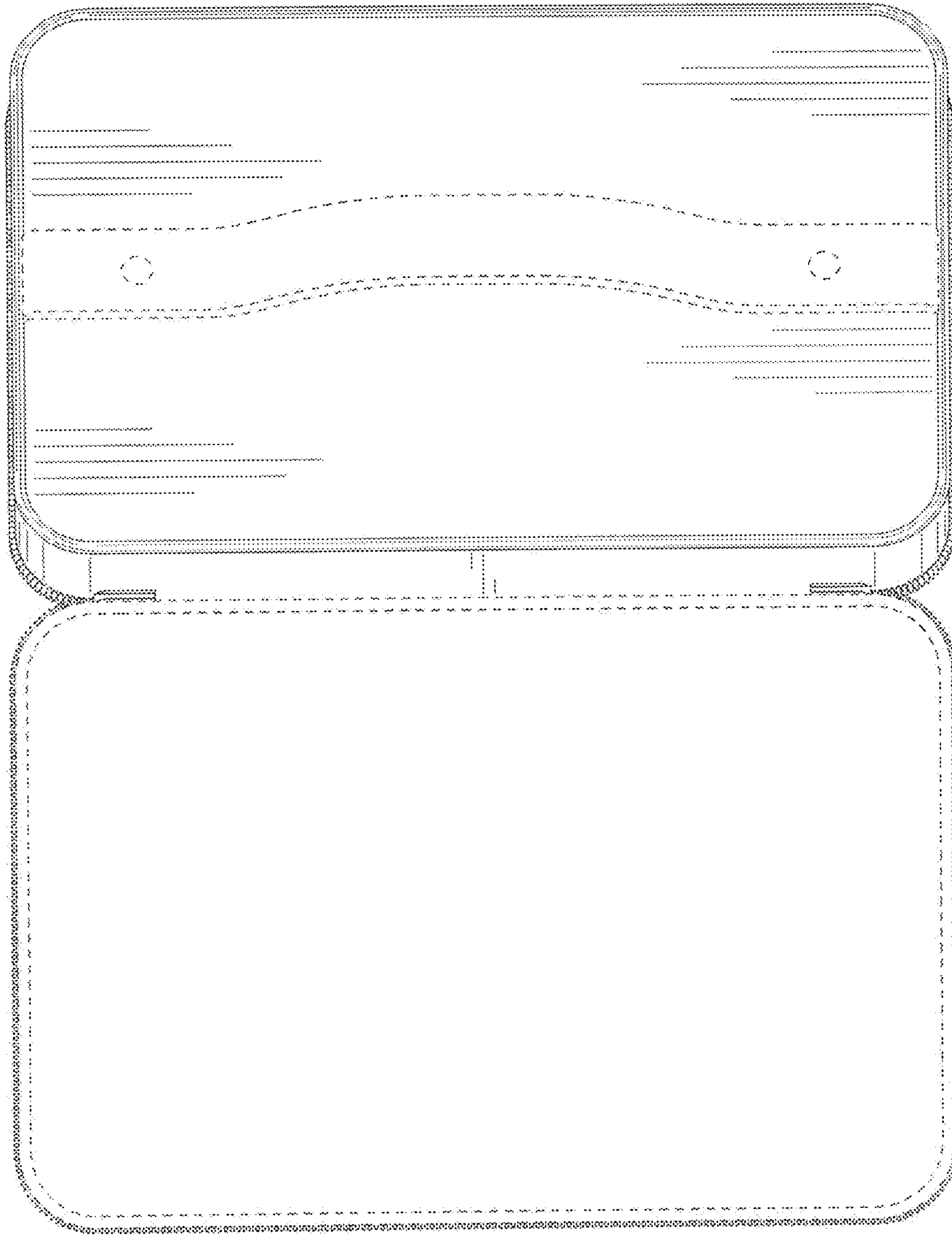


FIG. 11

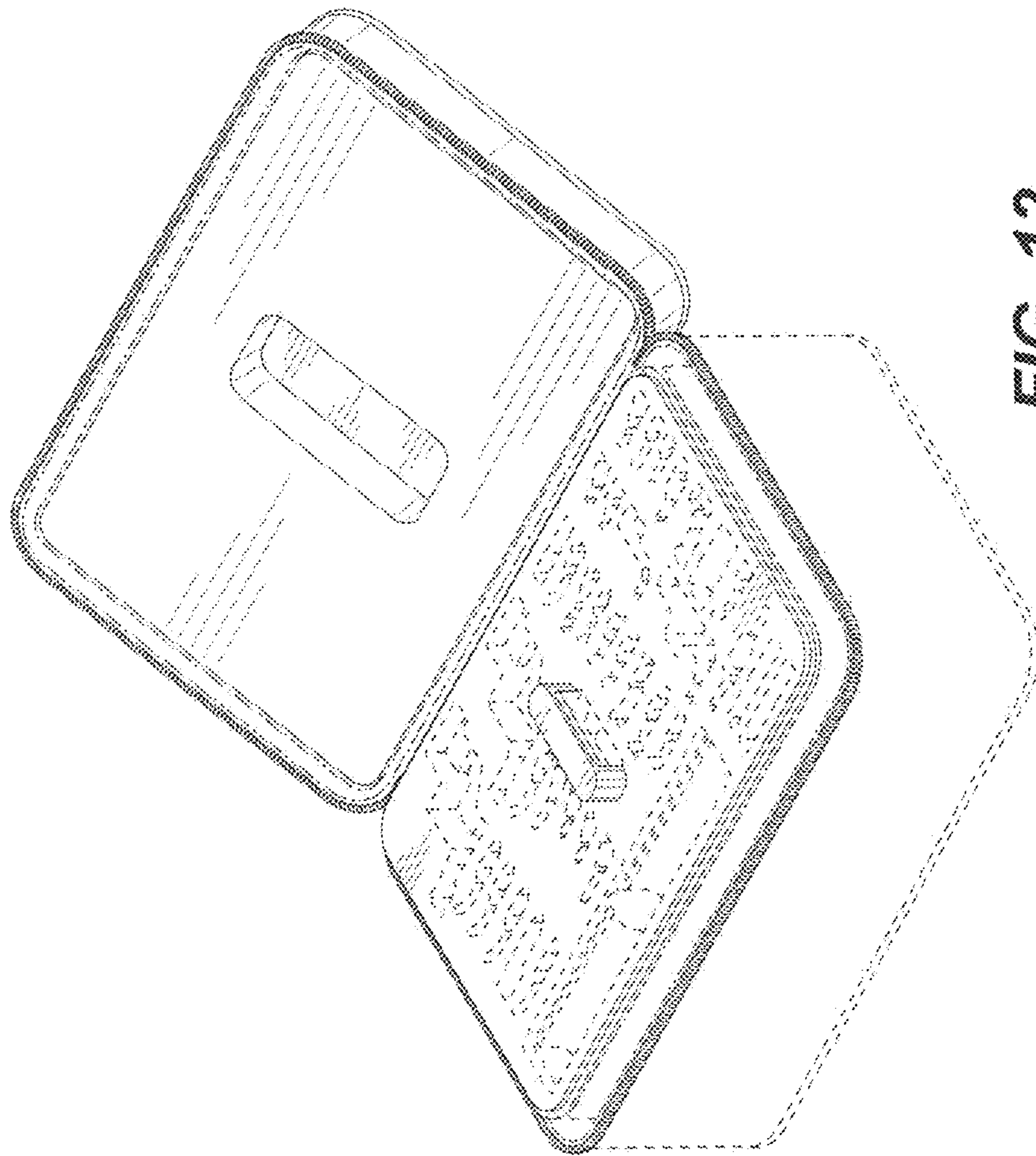


FIG. 12