



US00D787173S

(12) **United States Design Patent**  
**Parnell**

(10) **Patent No.:** **US D787,173 S**

(45) **Date of Patent:** **\*\* May 23, 2017**

- (54) **WALKING STICK HOLDER**
- (71) Applicant: **P.U.F. LLC**, Pickens, SC (US)
- (72) Inventor: **John E. Parnell**, Easley, SC (US)
- (73) Assignee: **P.U.F. LLC**, Pickens, SC (US)
- (\*\*) Term: **15 Years**
- (21) Appl. No.: **29/546,428**
- (22) Filed: **Nov. 23, 2015**

- D354,677 S \* 1/1995 Troyer ..... D26/138
- 5,662,299 A \* 9/1997 Mejia ..... B44D 3/123  
248/113
- D396,185 S \* 7/1998 Fraser ..... D3/10
- 5,788,197 A \* 8/1998 Tutela ..... A24F 13/22  
131/257
- 5,806,669 A \* 9/1998 Kim ..... B65D 83/285  
206/228
- D413,429 S \* 9/1999 Carson ..... D3/10
- D417,612 S \* 12/1999 Jones ..... D26/138
- D418,286 S \* 1/2000 Skeppstedt ..... D3/10
- 6,182,877 B1 \* 2/2001 Rolfe ..... A45B 1/00  
135/66
- D438,372 S \* 3/2001 Taylor ..... D3/10
- 6,199,819 B1 \* 3/2001 Churillo ..... A45B 11/00  
135/16
- D440,005 S \* 4/2001 Blanton ..... 24/16 R
- D474,012 S \* 5/2003 Beltran ..... D3/10
- 6,932,312 B1 \* 8/2005 Chen ..... B25H 3/04  
211/60.1
- D511,677 S \* 11/2005 DeBiasio, Jr. .... D8/354

**Related U.S. Application Data**

- (63) Continuation of application No. 14/266,212, filed on Apr. 30, 2014.
- (51) **LOC (10) Cl.** ..... **03-03**
- (52) **U.S. Cl.**  
USPC ..... **D3/10; D8/395**
- (58) **Field of Classification Search**  
USPC ..... D3/5, 7, 10, 11, 12, 13, 16, 17; D8/366,  
D8/373, 394, 395, 396  
CPC ..... A01K 63/065; A01K 97/10; A47J 45/02;  
A47J 45/10; A47F 5/00; A47F 5/08;  
A47F 5/13; A47F 7/00; A63B 55/00  
See application file for complete search history.

*Primary Examiner* — John Windmuller  
*Assistant Examiner* — Steven Czyz  
 (74) *Attorney, Agent, or Firm* — Trego, Hines & Ladenheim, PLLC; Brandon Trego; Jonathan Hines

(57) **CLAIM**

I claim the ornamental design for a walking stick holder, as shown and described.

(56) **References Cited**

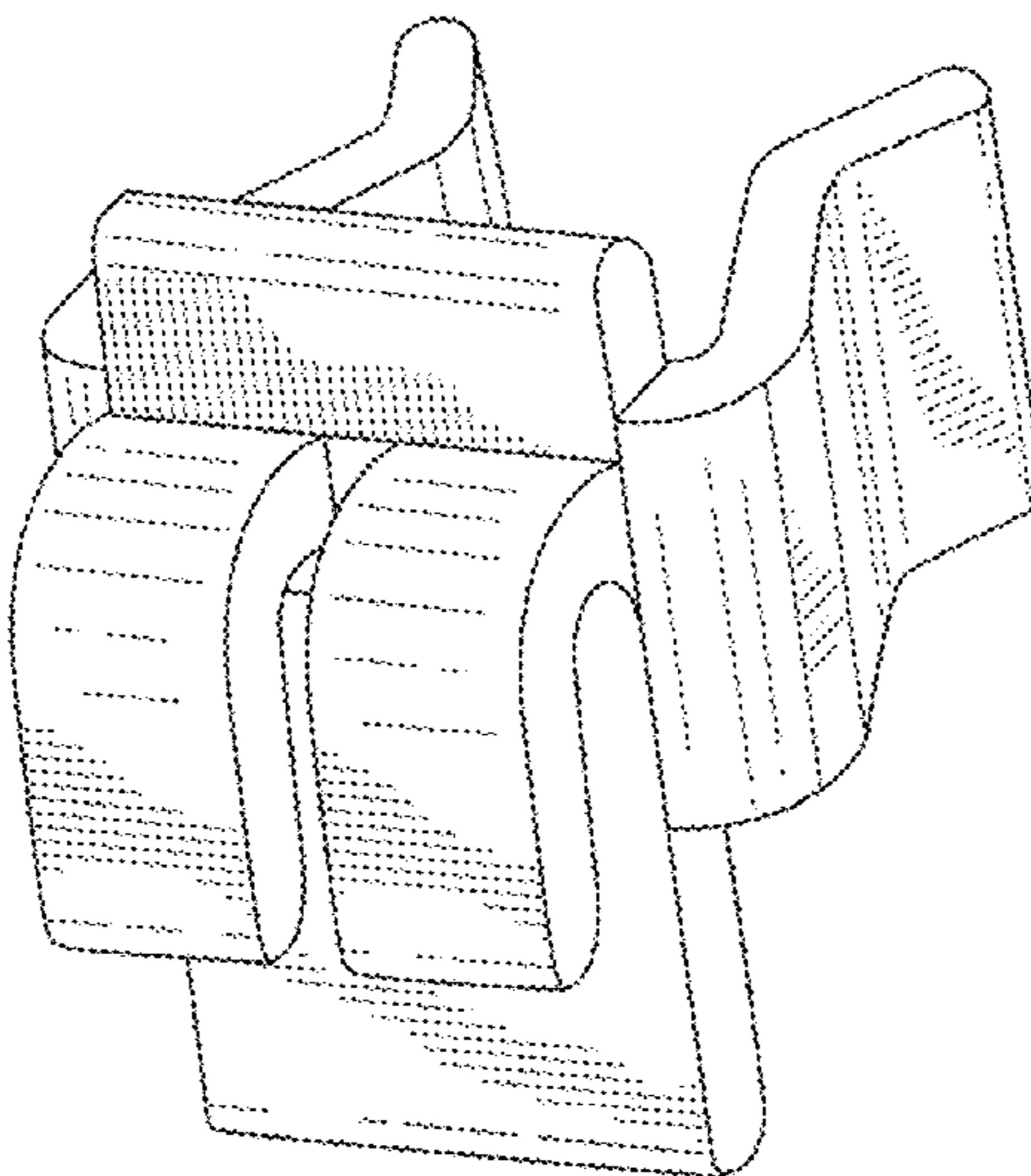
**U.S. PATENT DOCUMENTS**

- D32,388 S \* 3/1900 Wallace ..... D8/373
- 3,003,736 A \* 10/1961 Hofgesang ..... A47G 29/08  
248/229.26
- D222,430 S \* 10/1971 Millar ..... D8/373
- D252,669 S \* 8/1979 Muttart ..... D8/366
- D276,272 S \* 11/1984 Weissenburger ..... D24/176
- D291,650 S \* 9/1987 Monzen ..... D24/128
- D295,725 S \* 5/1988 Shioda ..... D8/380
- 5,332,090 A \* 7/1994 Tucker ..... A63B 55/408  
206/315.3

**DESCRIPTION**

FIG. 1 is a perspective view of a walking stick holder, showing my new design;  
 FIG. 2 is a front view thereof;  
 FIG. 3 is a rear view thereof;  
 FIG. 4 is a right view thereof;  
 FIG. 5 is a left view thereof;  
 FIG. 6 is a top view thereof; and,  
 FIG. 7 is a bottom view thereof.

**1 Claim, 7 Drawing Sheets**



(56)

References Cited

U.S. PATENT DOCUMENTS

7,185,796 B2 \* 3/2007 Parsons ..... A45F 5/02  
 224/197  
 D547,048 S \* 7/2007 Conway ..... D3/10  
 D556,027 S \* 11/2007 Cuzzocrea ..... D8/373  
 D563,209 S \* 3/2008 Samelson ..... D8/373  
 7,458,551 B2 \* 12/2008 Wang ..... A61M 5/158  
 248/313  
 7,594,637 B2 \* 9/2009 Krueger ..... A47G 23/0208  
 248/113  
 D613,921 S \* 4/2010 Tsui ..... D32/52  
 D619,452 S \* 7/2010 Ollila ..... D8/396  
 D632,554 S \* 2/2011 Grzyb ..... D8/395  
 7,926,149 B2 \* 4/2011 Weston ..... A63B 57/00  
 206/315.3  
 D638,282 S \* 5/2011 Robinson ..... D8/366  
 D660,690 S \* 5/2012 Mixides ..... D8/396  
 D672,544 S \* 12/2012 Muller ..... D3/10  
 D690,583 S \* 10/2013 Sendra-Gonzalez .. F24J 2/5203  
 D8/394  
 8,662,455 B2 \* 3/2014 Hernandez ..... F16B 2/245  
 248/222.12  
 D707,956 S \* 7/2014 Wrona ..... D3/10  
 9,016,640 B2 \* 4/2015 Sawhney ..... F16M 11/20  
 206/314  
 D732,009 S \* 6/2015 Bak ..... D14/229  
 D732,382 S \* 6/2015 Zalanca ..... D8/394  
 D738,099 S \* 9/2015 Mosteller ..... D3/10  
 D754,001 S \* 4/2016 Barrier ..... D7/622  
 2002/0130237 A1 \* 9/2002 Kluser ..... F16L 3/13  
 248/316.1  
 2008/0179474 A1 \* 7/2008 Johnson ..... A47F 5/083  
 248/214

\* cited by examiner

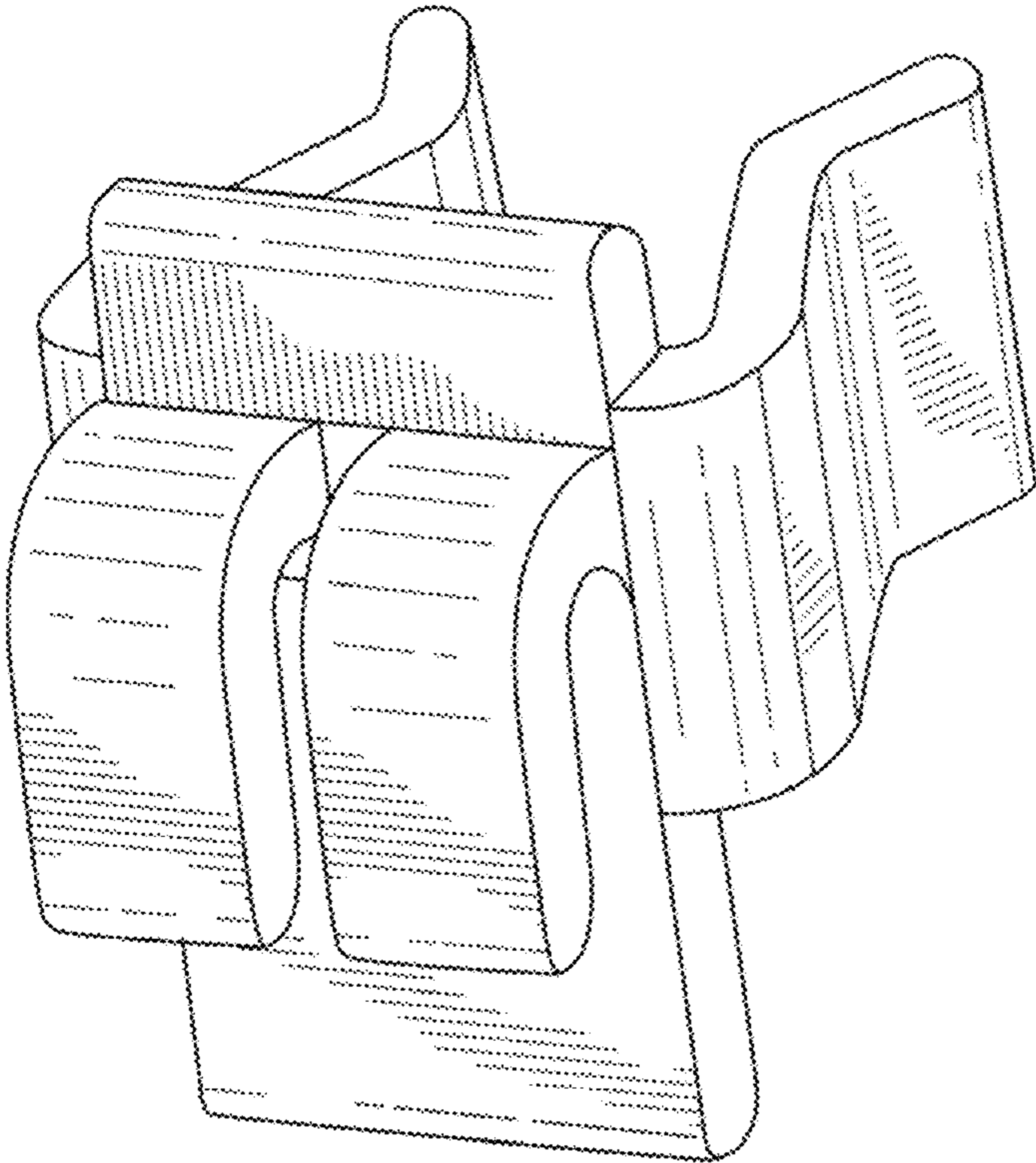


FIG. 1

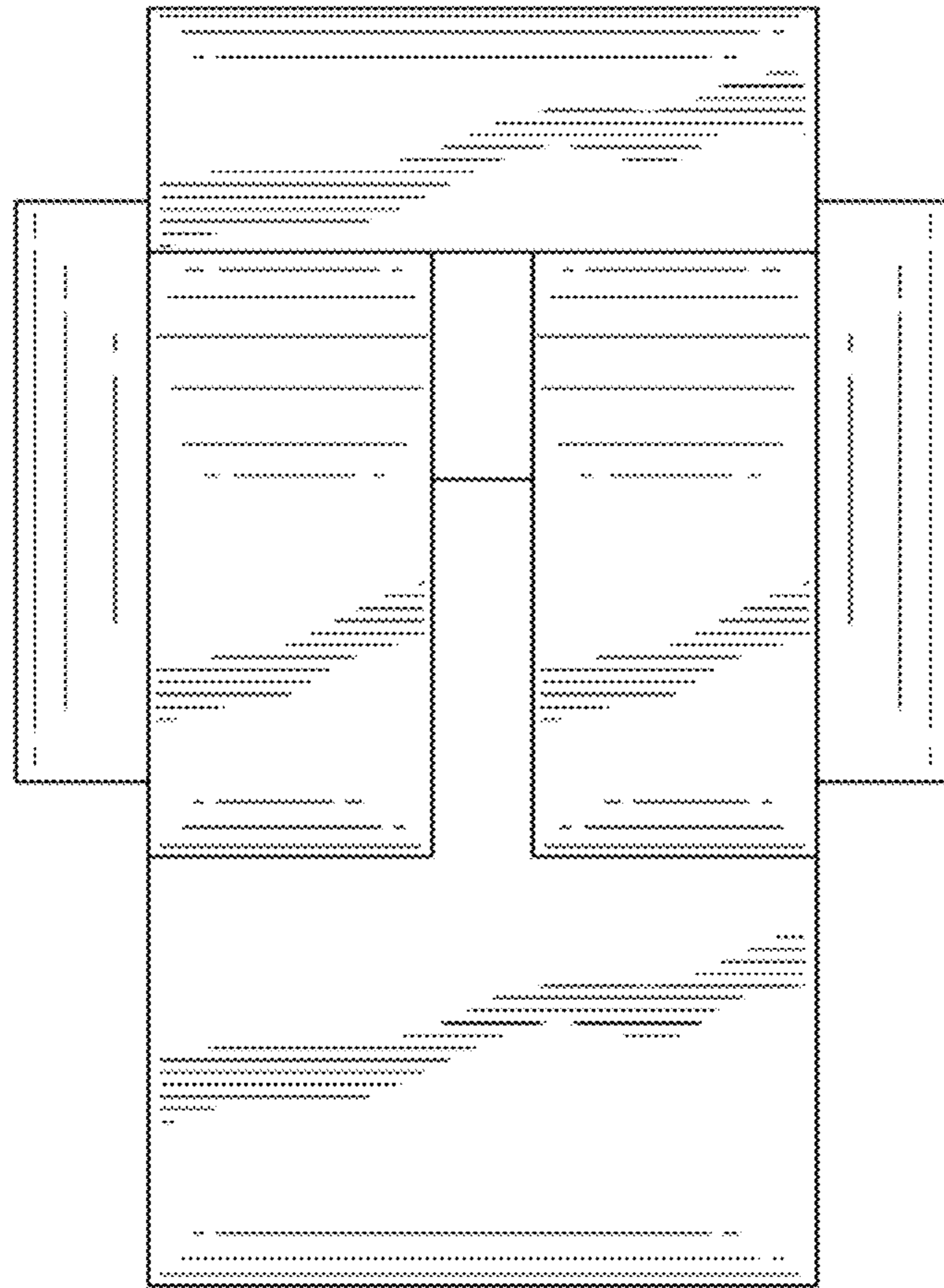


FIG. 2

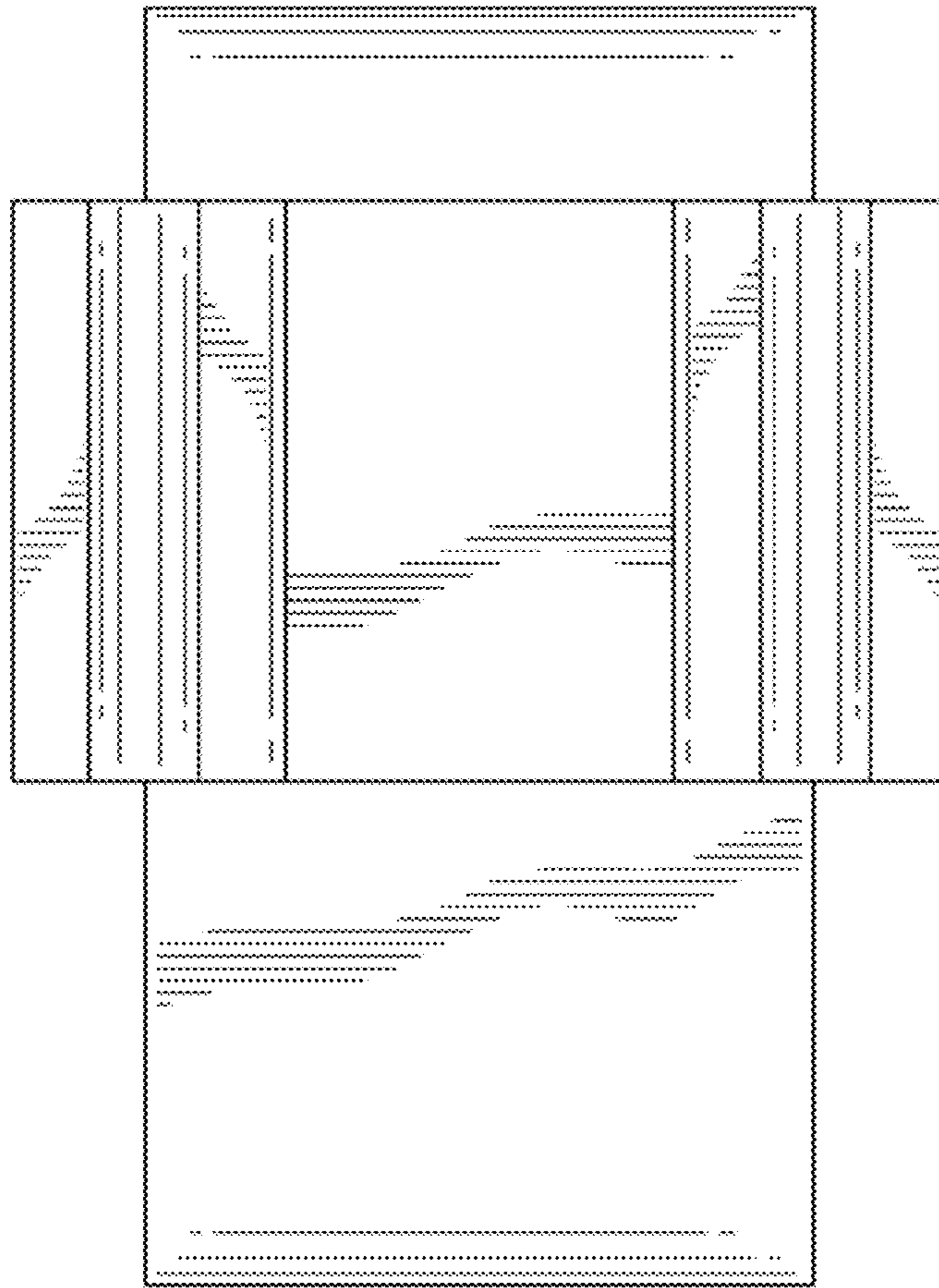


FIG. 3



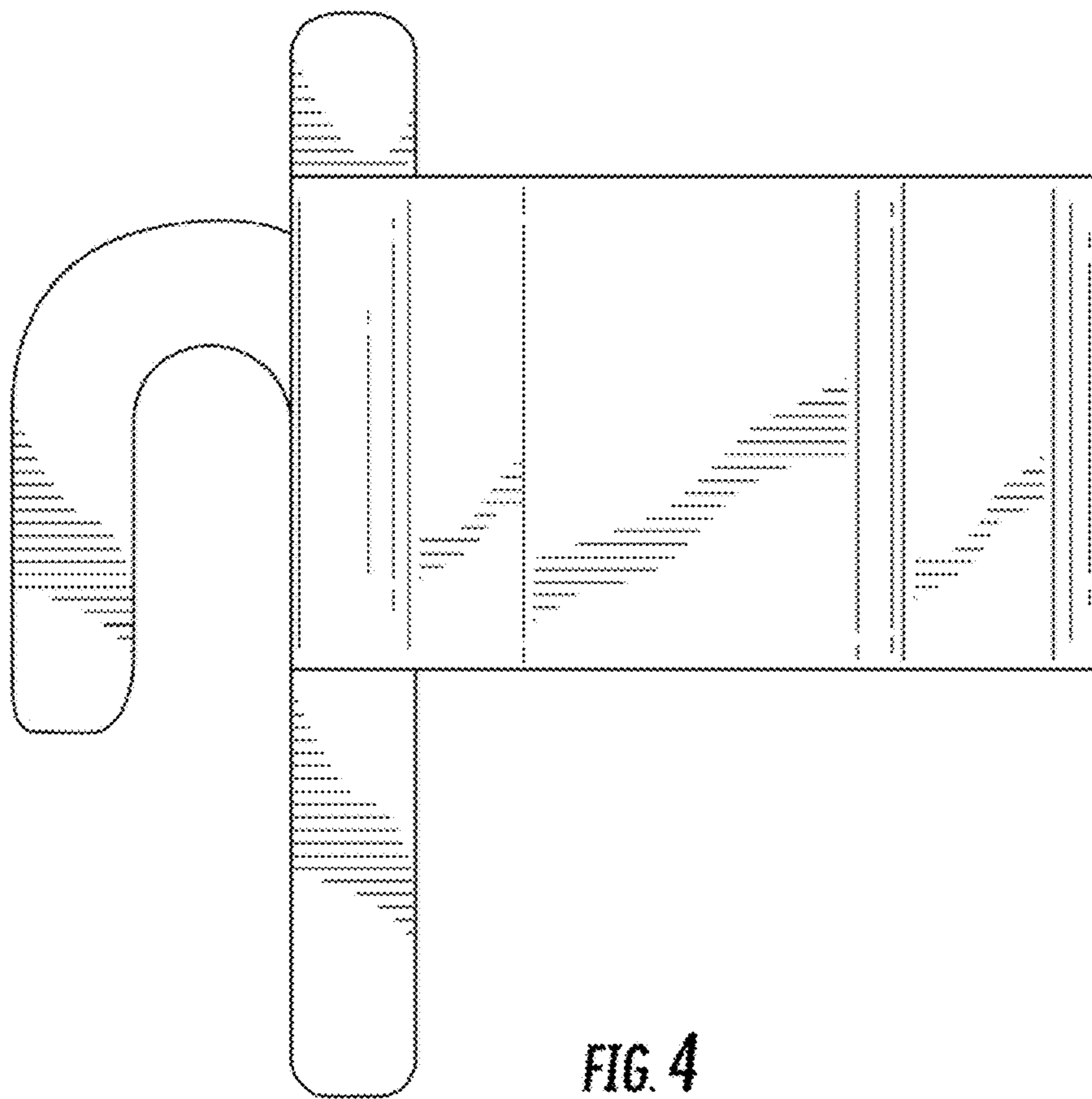


FIG. 4

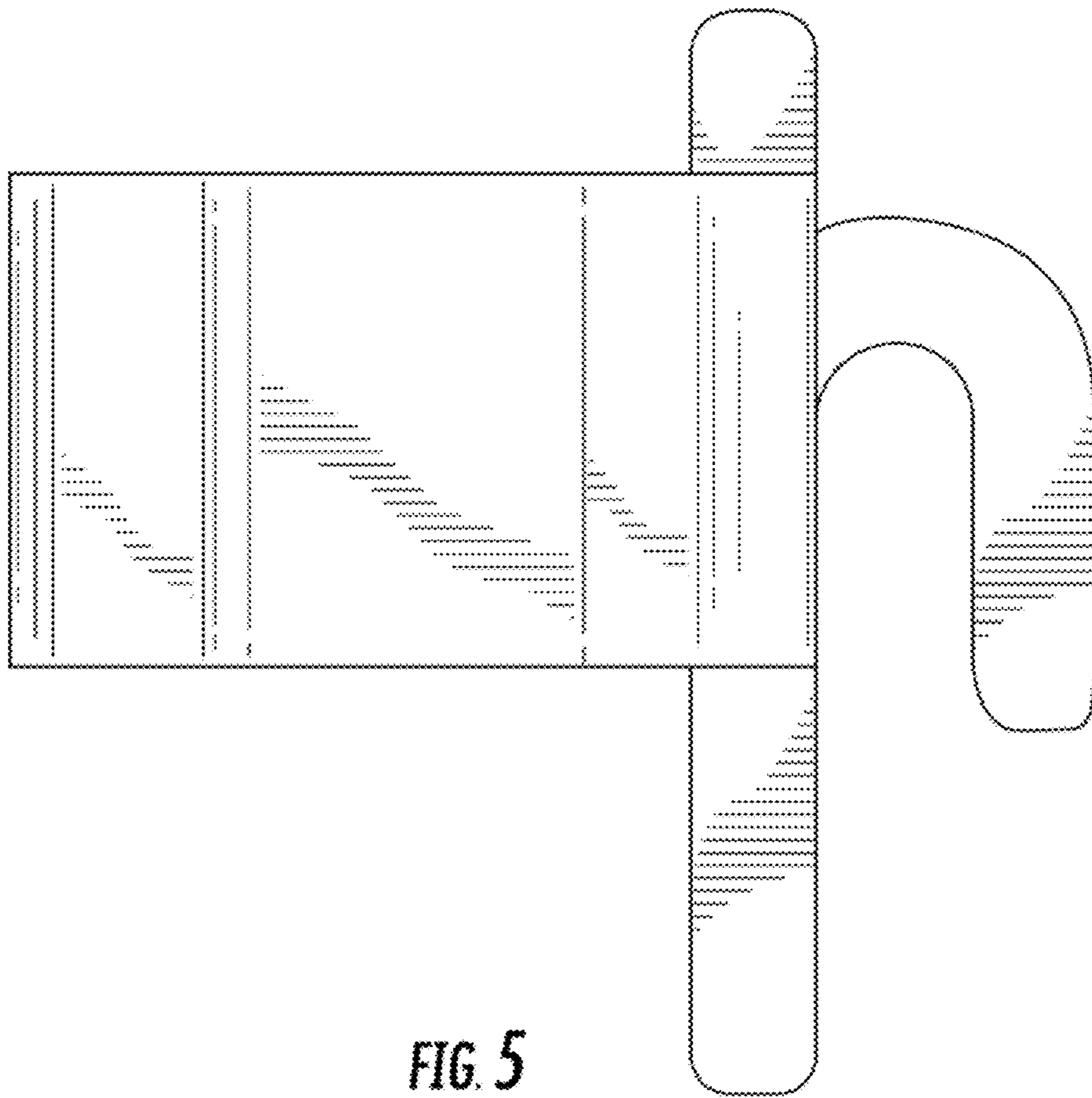


FIG. 5

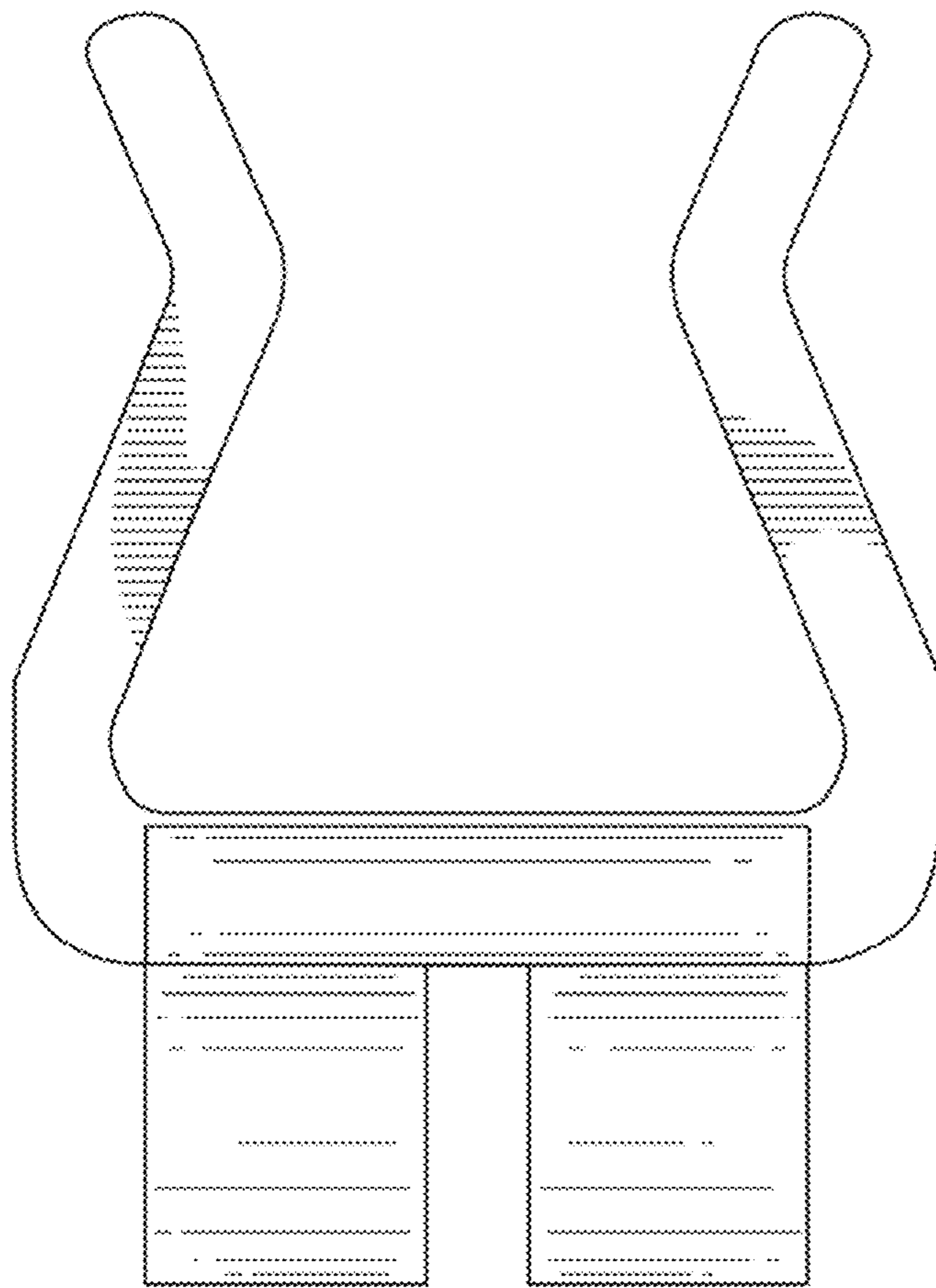


FIG. 6



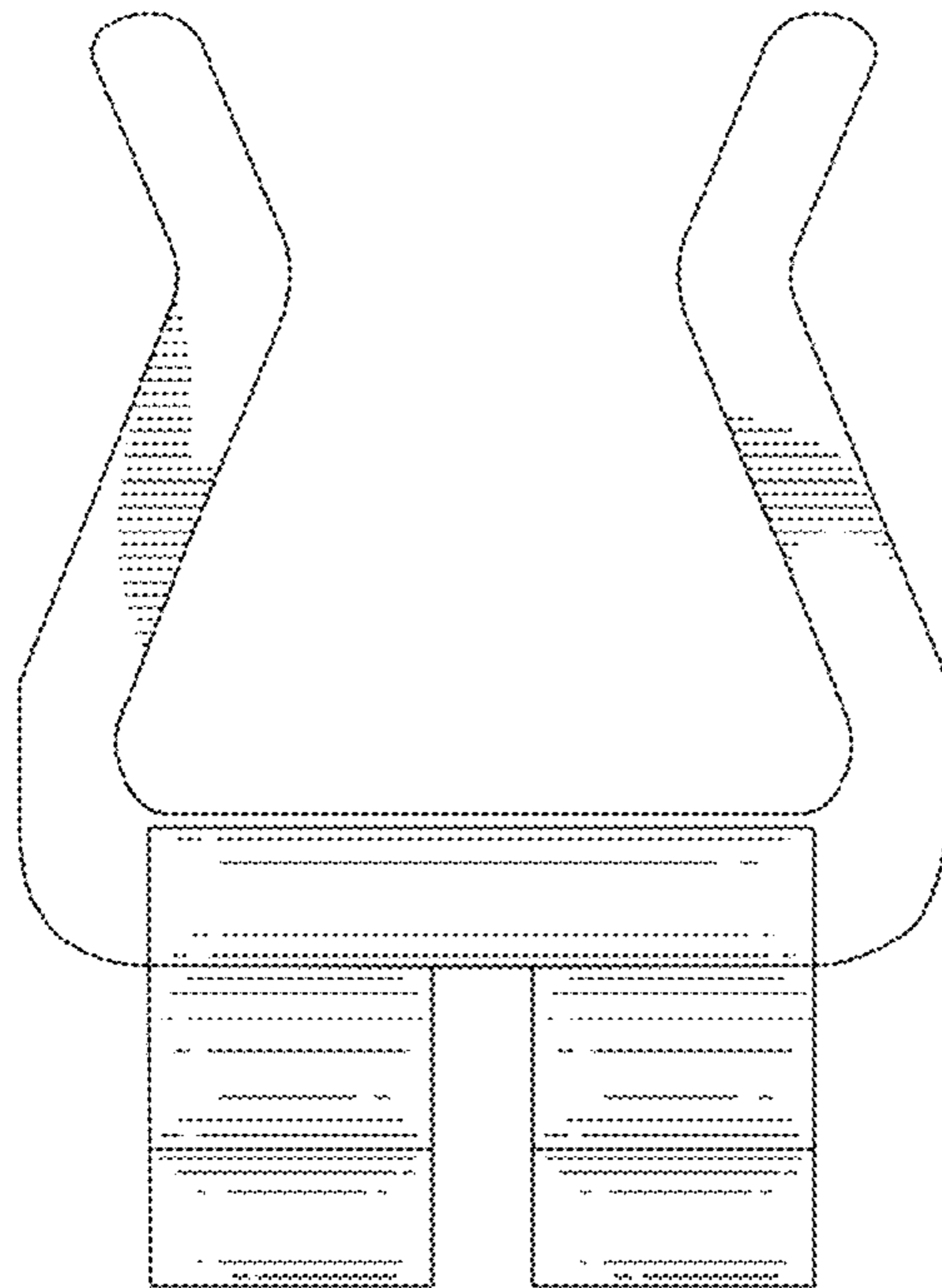


FIG. 7