



US00D787162S

(12) **United States Design Patent** (10) **Patent No.:** **US D787,162 S**  
**Wallace** (45) **Date of Patent:** **\*\* May 23, 2017**

(54) **SHIRT WITH RULER PLACKET**

(56) **References Cited**

(71) Applicant: **Delta Apparel, Inc.**, Greenville, SC (US)

U.S. PATENT DOCUMENTS

(72) Inventor: **Kristin Wallace**, San Clemente, CA (US)

3,155,985 A *	11/1964	Gallagher	.....	A41B 1/18
				2/103
D281,732 S *	12/1985	Conklin	.....	D2/849
D286,220 S *	10/1986	Irwin	.....	2/115
D395,154 S *	6/1998	Dipietro	.....	D2/840
D403,137 S *	12/1998	Howard	.....	D2/602
D432,288 S *	10/2000	Davis	.....	D2/602
D482,845 S *	12/2003	Dornbierer	.....	D2/602
D684,751 S *	6/2013	Lahham	.....	D2/840
D744,206 S *	12/2015	Davis	.....	D2/853

(73) Assignee: **Delta Apparel, Inc.**, Greenville, SC (US)

(\*\*) Term: **14 Years**

\* cited by examiner

(21) Appl. No.: **29/492,831**

*Primary Examiner* — Abraham Bahta

(22) Filed: **Jun. 3, 2014**

(74) *Attorney, Agent, or Firm* — Dority & Manning, P.A.

(51) **LOC (10) Cl.** ..... **02-02**

(52) **U.S. Cl.**

(57) **CLAIM**

USPC ..... **D2/853**

The ornamental design for a shirt with ruler placket, as shown and described.

(58) **Field of Classification Search**

**DESCRIPTION**

USPC ..... D2/600–602, 840, 845, 847, 849, 854, D2/853, 739, 828, 830, 720, 731–734; 2/115, 116, 129, 131, 135–139, 243.1, 60, 2/108, 218, 255

FIG. 1 is a front perspective view of a shirt with ruler placket according to the present design.

CPC ... A41D 1/00; A41D 1/02; A41D 1/14; A41D 2300/20; A41D 2300/30; A41D 2300/22; A41D 2600/00; A41D 2600/10; A41D 2600/20; A41B 1/00; A41B 1/02; A41B 1/08; A41B 1/04

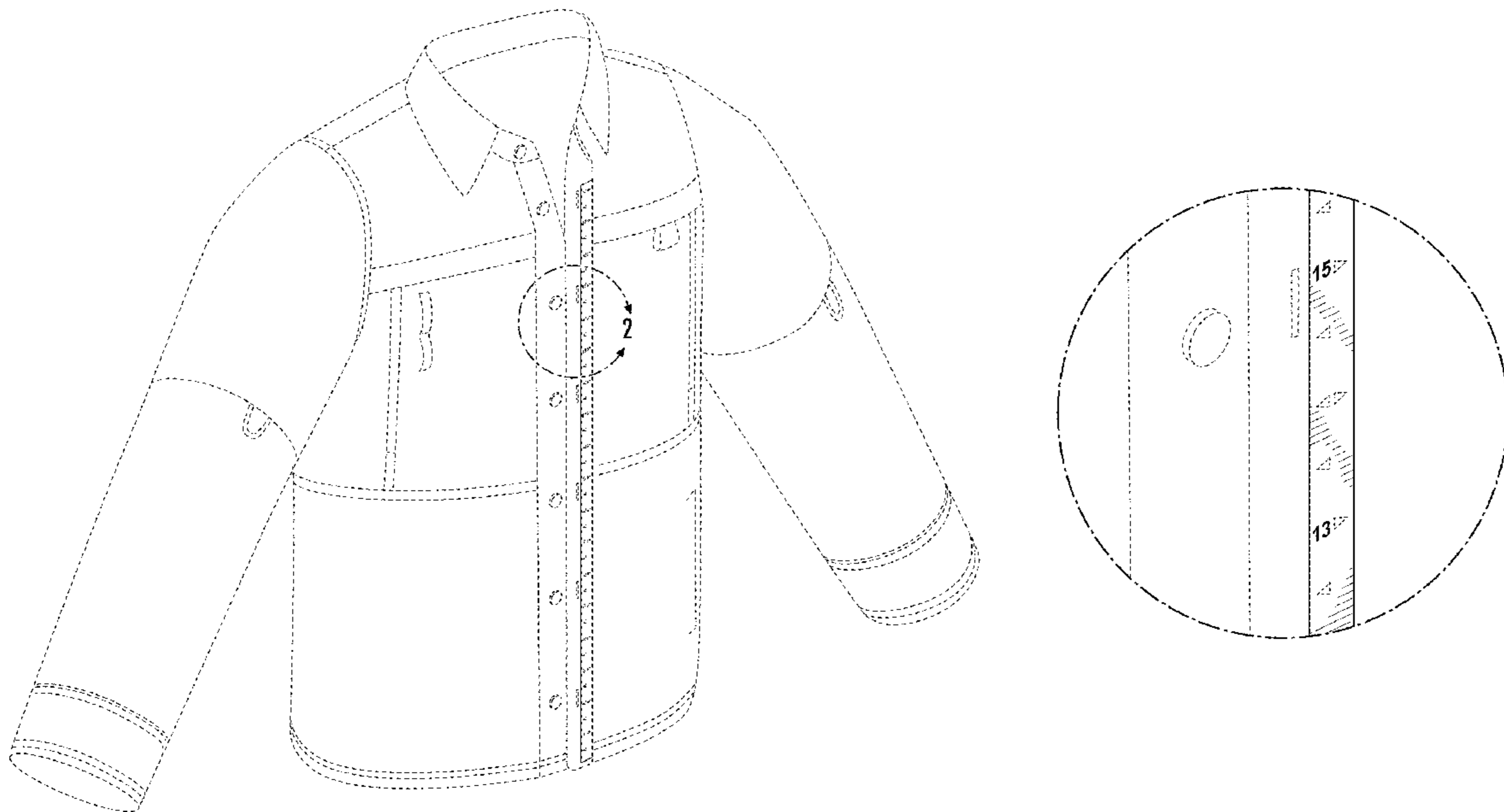
FIG. 2 is an enlarged view of the encircled portion of the shirt with ruler placket of FIG. 1.

FIG. 3 is a front view of FIG. 1; and,

FIG. 4 is a rear view of FIG. 1.

See application file for complete search history.

**1 Claim, 4 Drawing Sheets**



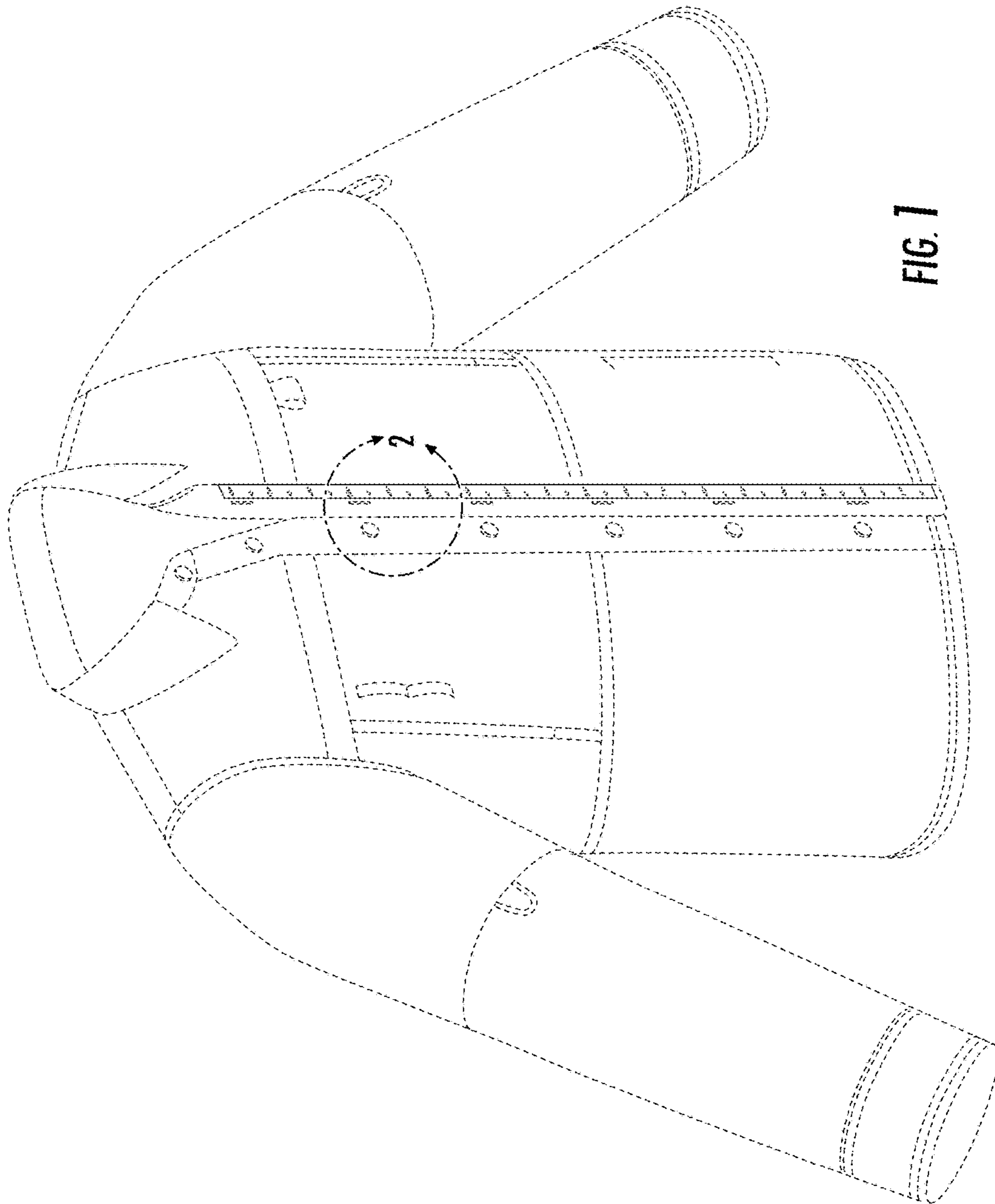
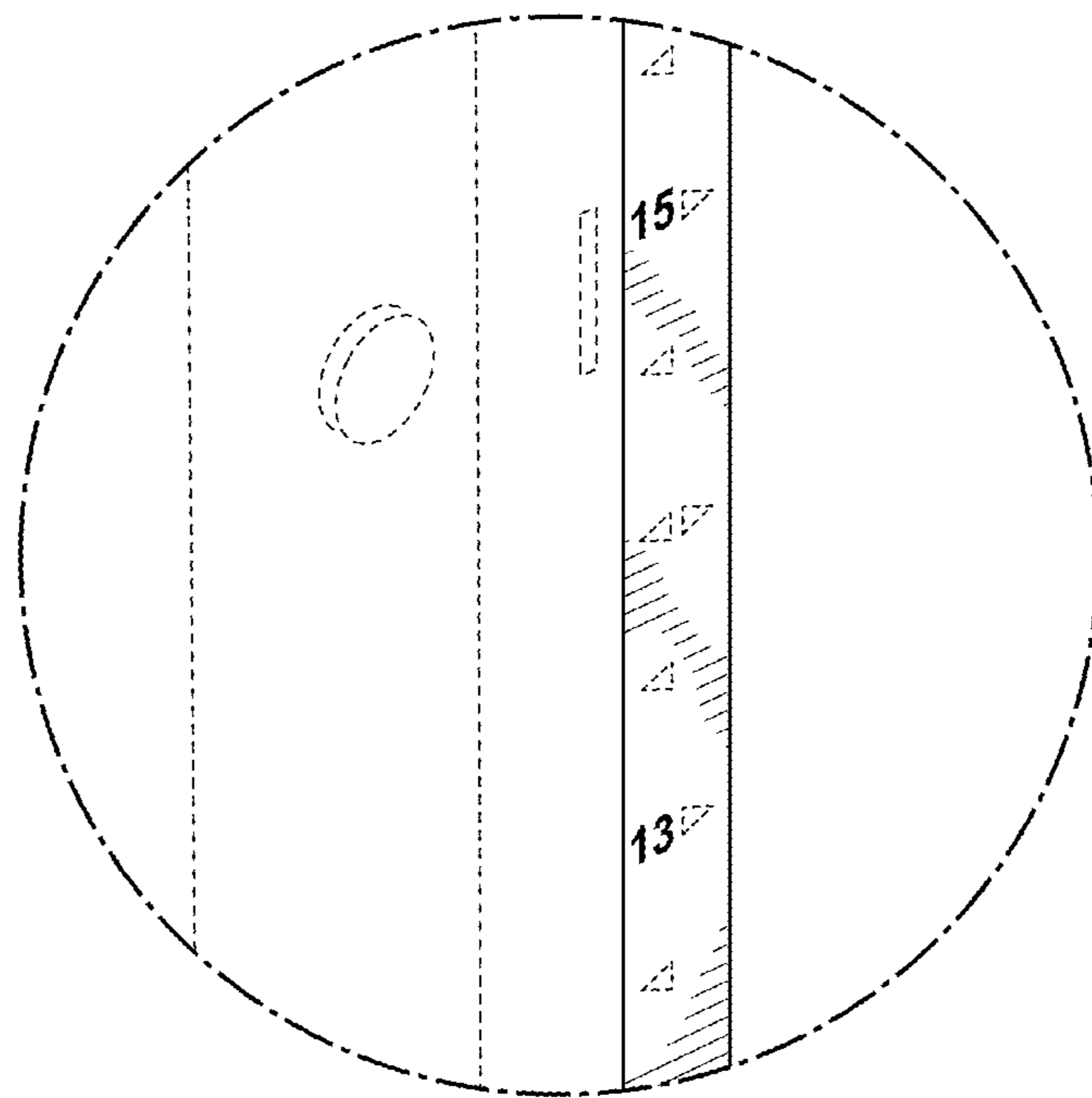


FIG. 1



**FIG. 2**

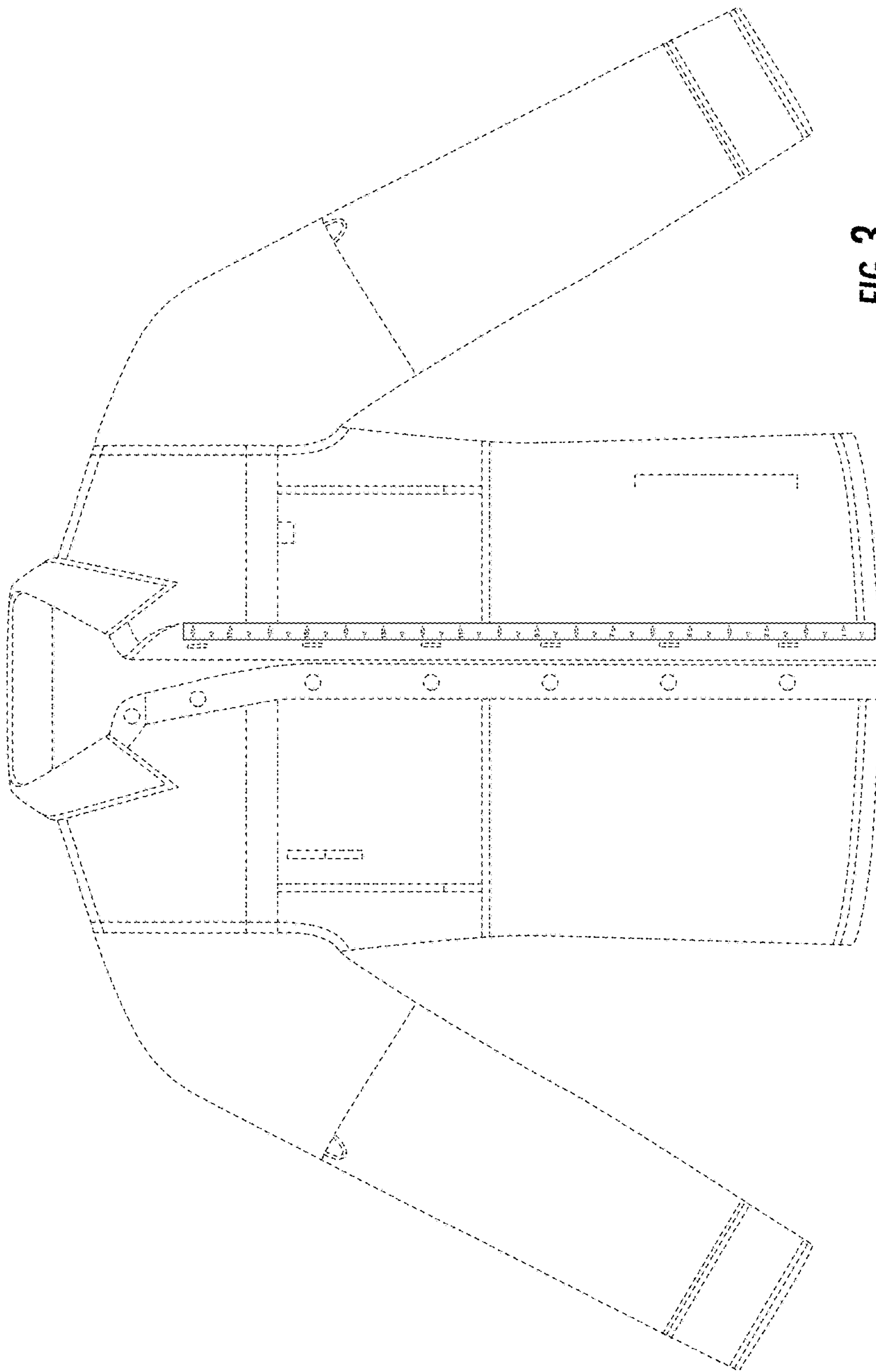


FIG. 3

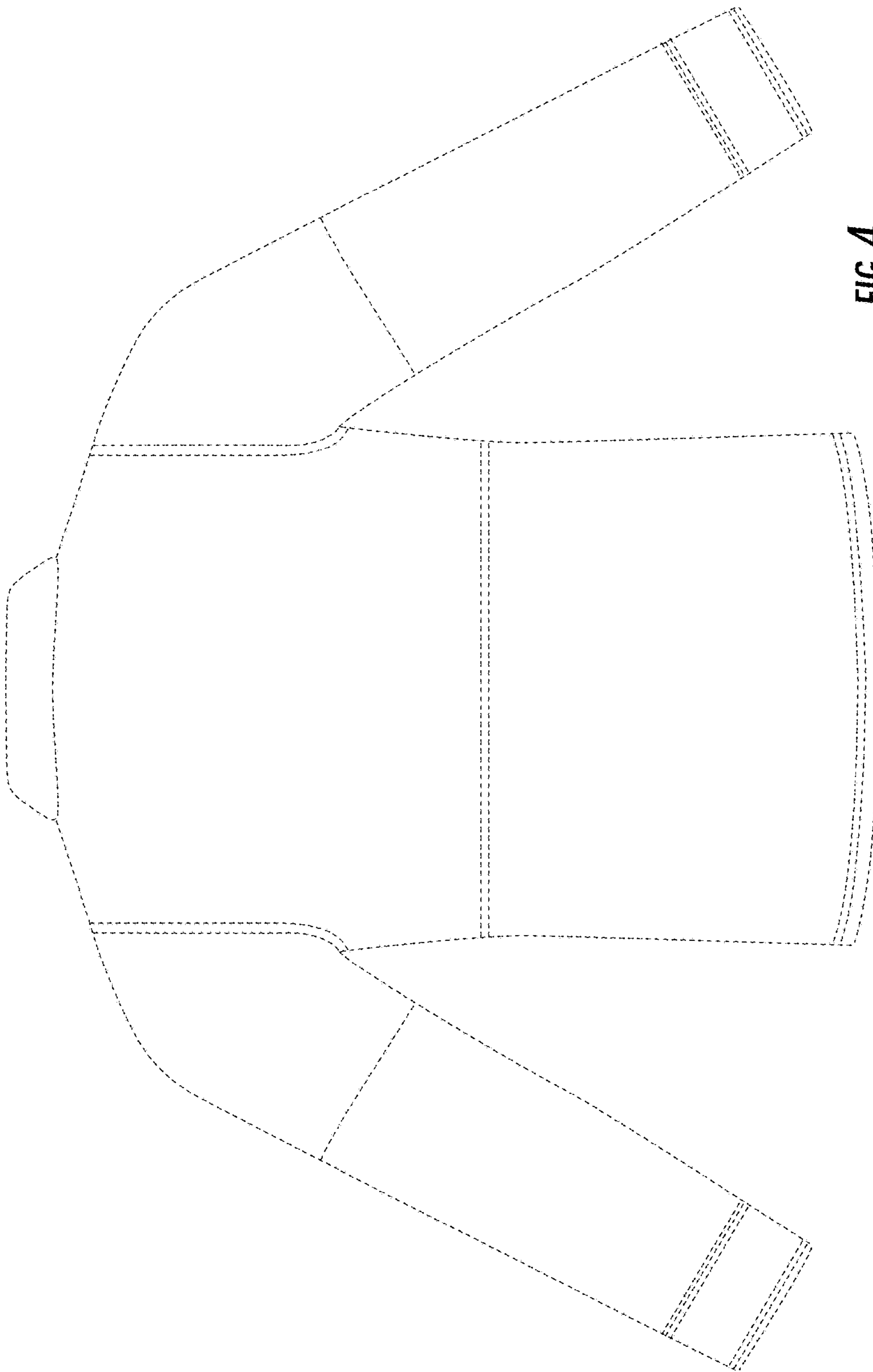


FIG. 4