



US00D787160S

(12) **United States Design Patent** (10) **Patent No.:** **US D787,160 S**
Crowe et al. (45) **Date of Patent:** **** May 23, 2017**

(54) **GARMENT**
(71) Applicant: **Milwaukee Electric Tool Corporation,**
Brookfield, WI (US)

2,156,504 A 5/1939 Liss
D115,484 S 6/1939 Smith
2,277,772 A 3/1942 Marick
(Continued)

(72) Inventors: **Jason R. Crowe,** Seattle, WA (US);
Timothy Janda, Elkhorn, WI (US);
Kim Brannock, Bend, OR (US); **Jerry**
Gundersen, Bainbridge Island, WA
(US)

FOREIGN PATENT DOCUMENTS

CN 1258201 6/2000
CN 300874882 1/2009
(Continued)

(73) Assignee: **MILWAUKEE ELECTRIC TOOL**
CORPORATION, Brookfield, WI (US)

OTHER PUBLICATIONS

Burton 2013 Women's Tonic Snowboard Jacket Bright White
Colorblock, Announced date N/A [Site Visited Aug. 10, 2016
]http://www.xbusa.com/burton-2013-women-s-tonic-snowboard-
jacket-bright-white-colorblock.html.*

(**) Term: **15 Years**

(Continued)

(21) Appl. No.: **29/542,035**

(22) Filed: **Oct. 9, 2015**

(51) **LOC (10) Cl.** **02-02**

(52) **U.S. Cl.**
USPC **D2/828; D2/750**

(58) **Field of Classification Search**
USPC D2/828, 839, 831, 717, 720, 830, 878,
D2/501, 829, 833, 834, 836, 840, 841,
D2/847, 848, 731, 749-751, 825; 2/205,
2/203, 172, 84, 93, 81, 158; 381/301
CPC A42B 1/046; A42B 1/045; A42B 1/067;
A42B 1/048; A42B 13/06; A41D 3/00;
A41D 27/02; A41D 13/0152; A41D
1/005; A41D 19/0041; A41D 13/001;
A41D 13/0012; A41D 2200/20; A41D
3/02; A41D 3/005; A41D 13/01; A41D
13/002; A41D 13/008; A41D 2400/10

See application file for complete search history.

(56) **References Cited**

U.S. PATENT DOCUMENTS

1,288,408 A 12/1918 Hait et al.
1,691,472 A 11/1928 Graham et al.
1,702,583 A 2/1929 Williams
2,150,251 A 3/1939 Shanhouse

Primary Examiner — George D. Kirschbaum

Assistant Examiner — Clese Moore, Jr.

(74) *Attorney, Agent, or Firm* — Michael Best &
Friedrich LLP

(57) **CLAIM**

We claim the ornamental design for a garment, as shown and
described.

DESCRIPTION

FIG. 1 is a front perspective view of a garment, such as a
hoodie.

FIG. 2 is a rear perspective view of the garment shown in
FIG. 1.

FIG. 3 is a front view of the garment shown in FIG. 1.

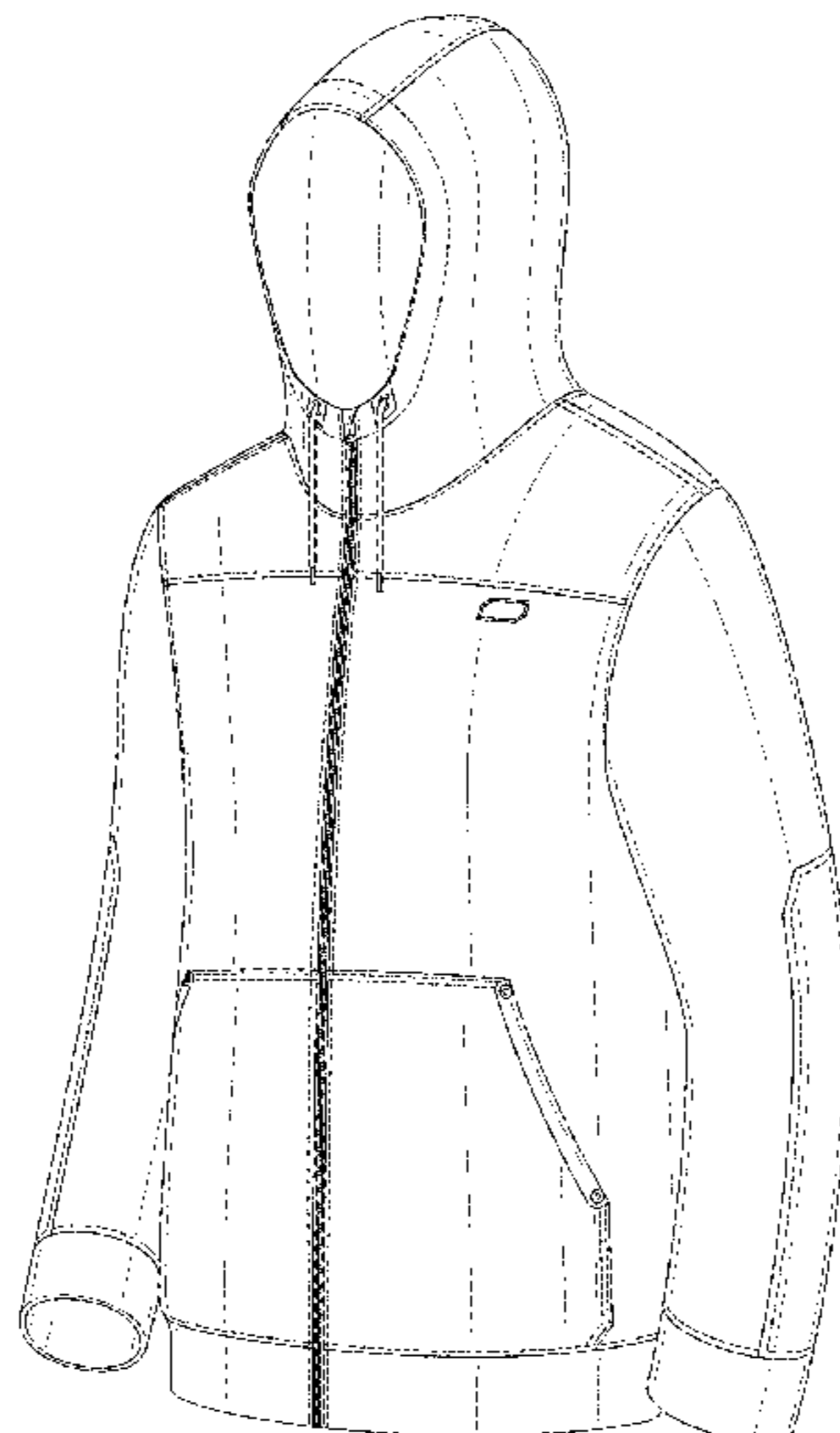
FIG. 4 is a rear view of the garment shown in FIG. 1.

FIG. 5 is a right side view of the garment shown in FIG. 1;
and,

FIG. 6 is a left side view of the garment shown in FIG. 1.

The stitching shown in broken lines forms a part of the
claimed design.

1 Claim, 6 Drawing Sheets



(56)

References Cited

U.S. PATENT DOCUMENTS			
2,567,192	A *	9/1951	De Grazia A42B 1/046 2/205
2,581,366	A *	1/1952	De Grazia A42B 1/045 2/203
2,707,284	A	5/1955	Artzt
2,727,241	A	12/1955	Smith
2,873,449	A	2/1959	Herbert
D189,233	S *	11/1960	Suitland 2/205
3,084,241	A	4/1963	Carrona
3,125,762	A	3/1964	Glahe
3,293,405	A	12/1966	Costanzo
3,392,264	A	7/1968	Arron
3,398,406	A	8/1968	Waterbury
3,501,616	A	3/1970	Arron
3,663,796	A	5/1972	Hines et al.
3,748,436	A	7/1973	Cassaboom
3,953,935	A	5/1976	Reiner et al.
3,988,780	A	11/1976	Armellino
3,989,924	A	11/1976	Kurtzer
3,999,037	A	12/1976	Metcalf, Sr.
4,273,989	A	6/1981	Hinton et al.
4,302,850	A	12/1981	Maeshima
4,322,858	A	4/1982	Douglas
4,404,460	A	9/1983	Kerr
D271,154	S	11/1983	Dowling
4,475,252	A	10/1984	Peyser et al.
4,483,020	A	11/1984	Dunn
4,539,700	A	9/1985	Sato
4,554,682	A	11/1985	Hillquist
4,589,134	A	5/1986	Waldron
4,645,325	A	2/1987	Inoue et al.
4,777,344	A	10/1988	Nash et al.
4,827,534	A	5/1989	Haugen
D301,797	S *	6/1989	Lariviere D2/831
4,860,388	A	8/1989	Dean
4,876,724	A	10/1989	Suzuki
D306,511	S	3/1990	Jones
D309,665	S	8/1990	Moseley
5,008,517	A	4/1991	Brekkestran et al.
D318,362	S	7/1991	Aiken
5,032,705	A	7/1991	Batcheller et al.
5,101,511	A	4/1992	Elverskog
5,101,515	A	4/1992	Holt et al.
5,105,067	A	4/1992	Brekkestran et al.
5,148,002	A	9/1992	Kuo et al.
D330,106	S	10/1992	Aubuchon et al.
5,158,039	A	10/1992	Clark
5,169,225	A	12/1992	Palm
D332,514	S	1/1993	Brandoff
5,206,957	A	5/1993	Gulick
5,230,333	A	7/1993	Yates et al.
D338,773	S	8/1993	Wilde
5,245,721	A	9/1993	Lowe et al.
D341,471	S	11/1993	Cross
5,302,806	A	4/1994	Simmons et al.
5,302,807	A	4/1994	Zhao
D356,883	S	4/1995	Ganahl
5,416,310	A	5/1995	Little
5,451,747	A	9/1995	Sullivan et al.
5,465,424	A	11/1995	Cudney et al.
5,471,767	A	12/1995	Walker
5,499,401	A	3/1996	Heinmiller
5,603,646	A	2/1997	Tobias
5,605,144	A	2/1997	Simmons et al.
5,611,085	A	3/1997	Rasmussen
5,617,583	A	4/1997	Yates et al.
D385,088	S *	10/1997	Handysides D2/828
5,777,296	A	7/1998	Bell
5,826,273	A	10/1998	Eckes
5,832,538	A *	11/1998	Williams A42B 1/067 2/172
D402,788	S	12/1998	Blankenship, Jr.
5,866,881	A	2/1999	Jones, III
5,893,911	A	4/1999	Piskiel et al.
5,893,991	A	4/1999	Newell
D414,013	S	9/1999	Group
5,953,758	A	9/1999	Foster
D414,913	S	10/1999	Katz et al.
5,977,517	A	11/1999	Grosjean
D421,329	S	3/2000	Adams
6,049,062	A	4/2000	Jones
6,060,693	A	5/2000	Brown
6,078,025	A	6/2000	Yeung
D429,058	S	8/2000	Derosier
6,098,612	A	8/2000	Nakamoto et al.
6,119,270	A	9/2000	Chou
6,155,841	A	12/2000	Spanyar
D437,673	S *	2/2001	DesJardins D2/828
6,199,210	B1	3/2001	Feldman
D439,727	S	4/2001	Hosogai
6,239,410	B1	5/2001	Tackore
6,319,015	B1	11/2001	Faunce
6,320,161	B1	11/2001	Hansen, Jr.
6,329,638	B1	12/2001	Bloodworth
6,333,570	B1	12/2001	Ilg
6,342,692	B1	1/2002	Hart et al.
6,350,129	B1	2/2002	Gorlick
6,374,418	B1 *	4/2002	Rindle A42B 1/048 2/202
D457,711	S *	5/2002	Mahabir D2/839
6,408,440	B1	6/2002	Phillips
6,439,942	B1	8/2002	Pillai et al.
D463,094	S	9/2002	Haselmayer et al.
6,450,168	B1	9/2002	Nguyen
6,550,471	B2	4/2003	Szymocha et al.
6,558,016	B1	5/2003	Restauro
6,561,814	B2	5/2003	Tilbury et al.
6,563,424	B1	5/2003	Kaario
6,598,235	B2	7/2003	Bulla
6,649,873	B1	11/2003	Cintron, Jr. et al.
6,654,963	B2 *	12/2003	Fayle A41D 3/00 2/84
D487,426	S	3/2004	Johnson
6,738,984	B2	5/2004	Gillen et al.
6,792,124	B2	9/2004	Tilbury et al.
D498,037	S	11/2004	Bay
6,826,782	B2	12/2004	Jordan
6,840,955	B2	1/2005	Ein
6,854,988	B2	2/2005	Marmaropoulos et al.
D508,601	S	8/2005	Hoyt
6,963,055	B2	11/2005	Rock et al.
D526,467	S	8/2006	Kent
D526,469	S	8/2006	Collier
D527,868	S *	9/2006	Wager D2/828
D529,687	S	10/2006	Rindle
7,117,538	B2	10/2006	Bosne et al.
D539,508	S	4/2007	Rogers et al.
7,210,939	B2	5/2007	Marmaropoulos et al.
7,230,206	B1	6/2007	Randall
D551,429	S *	9/2007	Wager D2/831
D553,329	S *	10/2007	Wager D2/831
D553,330	S *	10/2007	Wager D2/831
D555,878	S	11/2007	Bay
D566,927	S *	4/2008	Graham D2/828
D568,581	S *	5/2008	Wager D2/828
7,375,308	B2	5/2008	Ferguson
D573,312	S	7/2008	Siepmann
D580,630	S	11/2008	Adams et al.
7,448,874	B2	11/2008	Willis
7,462,035	B2	12/2008	Lee et al.
RE40,613	E	1/2009	Jordan
D584,482	S *	1/2009	Marsh D2/717
7,476,104	B2	1/2009	Marmaropoulos et al.
D588,338	S *	3/2009	Self D2/750
D588,783	S	3/2009	Olstorn
7,496,969	B2	3/2009	Pieczynski
7,519,192	B1 *	4/2009	Laycock A41D 1/005 381/301
7,559,768	B2	7/2009	Marmaropoulos et al.
7,560,664	B2	7/2009	Ford et al.
D598,639	S	8/2009	Holder
7,618,260	B2	11/2009	Daniel et al.
7,624,453	B2	12/2009	Rene et al.
7,651,016	B2	1/2010	Stewart

(56)

References Cited

U.S. PATENT DOCUMENTS

				2001/0047992	A1	12/2001	Deangelis et al.
				2002/0076949	A1	6/2002	Tilbury et al.
				2002/0142112	A1*	10/2002	Tarrell F41H 3/00 428/17
D609,432	S *	2/2010	Jennings	2003/0051286	A1	3/2003	Gregg
7,653,949	B2 *	2/2010	Kraus A41D 19/0041 2/158	2003/0074712	A1	4/2003	Liao
D615,731	S *	5/2010	Oneto, Sr. D2/750	2004/0069761	A1	4/2004	Carr et al.
7,731,517	B2	6/2010	Lee et al.	2004/0070996	A1	4/2004	Carr
7,739,748	B2	6/2010	Nilforushan et al.	2004/0133962	A1	7/2004	Baumel
7,753,685	B2	7/2010	Lee et al.	2004/0153012	A1	8/2004	Schroeder
D622,937	S	9/2010	Bay	2004/0221362	A1	11/2004	Bosne et al.
7,816,628	B2	10/2010	Fernandez et al.	2004/0237169	A1	12/2004	Wood et al.
7,816,632	B2	10/2010	Bourke, III et al.	2004/0256381	A1	12/2004	Haas et al.
D626,725	S *	11/2010	Snyder D2/830	2005/0007406	A1	1/2005	Haas et al.
D627,540	S *	11/2010	Claeys D2/750	2005/0217004	A1*	10/2005	Haberfeld A41B 13/06 2/69.5
D628,771	S	12/2010	Kanada et al.	2005/0246826	A1	11/2005	McCarter et al.
D631,393	S	1/2011	Shani et al.	2006/0001727	A1	1/2006	Haas et al.
D632,215	S	2/2011	Shani et al.	2006/0048263	A1	3/2006	Walsh
7,886,368	B2	2/2011	Hood	2006/0060576	A1	3/2006	Haas et al.
D636,973	S *	5/2011	Smith D2/830	2006/0128169	A1	6/2006	Marmaropoulos et al.
D638,612	S *	5/2011	Benderradji D2/728	2006/0166520	A1	7/2006	Marmaropoulos et al.
D639,025	S	6/2011	Holder	2006/0213895	A1	9/2006	Dennis
7,959,351	B1	6/2011	Thorpe	2006/0227675	A1	10/2006	Fried
7,966,667	B2	6/2011	Tomlinson et al.	2006/0277652	A1	12/2006	Okajima
D641,137	S	7/2011	Evans et al.	2007/0118960	A1	5/2007	Goodwin
7,994,752	B2	8/2011	Soar	2007/0130667	A1*	6/2007	Gagnon A41D 27/02 2/93
8,008,606	B2	8/2011	Kaiserman et al.	2007/0151593	A1	7/2007	Jaynes
D648,924	S	11/2011	Propst	2007/0278035	A1	12/2007	Marmaropoulos et al.
8,062,797	B2	11/2011	Fisher et al.	2008/0005825	A1	1/2008	Tronvold
8,105,371	B1	1/2012	Giocondo, Jr.	2008/0023460	A1	1/2008	Huang
8,107,653	B2	1/2012	Wolfe	2008/0024438	A1	1/2008	Collins et al.
D653,836	S *	2/2012	Woysner D2/750	2008/0045269	A1	2/2008	Emory
D654,664	S	2/2012	Evans et al.	2008/0067163	A1	3/2008	Axinte et al.
8,144,911	B2	3/2012	Chiang et al.	2008/0083740	A1	4/2008	Kaiserman et al.
8,157,570	B2	4/2012	Chen	2008/0163404	A1*	7/2008	Carpentier A41D 13/0512 2/81
D662,282	S	6/2012	Meunier-Bouchard	2008/0184459	A1	8/2008	Barnes
D662,285	S	6/2012	Rushworth	2008/0223844	A1	9/2008	Cronn
8,251,157	B2	8/2012	Gray et al.	2009/0014436	A1	1/2009	Toya et al.
D671,714	S *	12/2012	McCarroll D2/831	2009/0032520	A1	2/2009	Cronn
D672,531	S *	12/2012	Kelfer D2/750	2009/0094725	A1	4/2009	Smith et al.
D677,861	S	3/2013	Perry	2009/0158493	A1	6/2009	Kim
D685,160	S *	7/2013	Savage D2/831	2009/0178173	A1	7/2009	Schultz
D689,670	S *	9/2013	Lorenc D2/878	2009/0217440	A1	9/2009	Sutker
D692,082	S	10/2013	Lee	2009/0230112	A1	9/2009	Ducharme et al.
D692,212	S *	10/2013	Coward D2/857	2009/0249529	A1	10/2009	Rodriguez et al.
8,564,249	B2	10/2013	Lundqvist et al.	2009/0271917	A1*	11/2009	Richardson A41D 13/0025 2/458
D693,093	S	11/2013	Pasloski	2009/0289046	A1	11/2009	Richmond
D693,094	S	11/2013	Pasloski	2009/0310290	A1	12/2009	Tennent
D693,096	S *	11/2013	Russo D2/501	2010/0100997	A1	4/2010	Lee et al.
D693,543	S *	11/2013	Rao D2/750	2010/0115684	A1	5/2010	Freedman et al.
D698,524	S	2/2014	Roberts et al.	2010/0186137	A1	7/2010	Gutshe
D698,525	S	2/2014	Roberts et al.	2010/0198043	A1	8/2010	Holzer et al.
D698,528	S	2/2014	Roberts et al.	2010/0263603	A1	10/2010	Baron
D702,419	S	4/2014	Mertes	2010/0283295	A1	11/2010	Smith et al.
D703,922	S	5/2014	Roberts et al.	2010/0299800	A1	12/2010	Jackson, Jr.
D704,849	S	5/2014	Hunter	2011/0012552	A1	1/2011	Margalit
D704,924	S *	5/2014	Roberts D2/831	2011/0093998	A1*	4/2011	Brennan A41D 13/001 2/4
D707,017	S	6/2014	Wolf et al.	2011/0108538	A1	5/2011	Gray et al.
D707,423	S	6/2014	Pezzimenti	2011/0173731	A1	7/2011	McElroy et al.
D707,424	S	6/2014	Pezzimenti	2011/0185469	A1	8/2011	Santuccio et al.
D707,923	S *	7/2014	Borovicka D2/831	2011/0260556	A1	10/2011	Partridge et al.
D710,573	S	8/2014	Pezzimenti	2011/0306218	A1	12/2011	Chen
D713,128	S	9/2014	Pezzimenti et al.	2012/0060260	A1	3/2012	Kochling
D713,620	S	9/2014	Pezzimenti et al.	2012/0074128	A1	3/2012	Blackford et al.
D713,621	S	9/2014	Pezzimenti et al.	2012/0096622	A1	4/2012	Johnson
D714,022	S	9/2014	Mong et al.	2012/0298493	A1	11/2012	Hogan et al.
D714,526	S *	10/2014	Ingram D2/831	2013/0019379	A1*	1/2013	Shadid A41D 13/0012 2/84
D714,527	S	10/2014	Borovicka	2013/0037531	A1	2/2013	Gray et al.
D716,022	S *	10/2014	Judge D2/831				
D729,690	S	5/2015	Riviere				
D732,799	S *	6/2015	Smith D2/831				
D733,400	S	7/2015	Cunningham				
D734,922	S	7/2015	Docker				
D736,496	S *	8/2015	Gonzalez D2/750				
D754,947	S *	5/2016	Borovicka D2/750				
D755,478	S	5/2016	Grosbol				
D757,398	S *	5/2016	Ingram D2/828				
D765,351	S *	9/2016	Shaw D2/836				

(56)

References Cited

U.S. PATENT DOCUMENTS

2013/0042383	A1*	2/2013	Ryan	A41D 15/00
				2/84
2013/0212772	A1*	8/2013	Apostoloff	A41D 3/00
				2/93
2013/0276201	A1	10/2013	Pezzimenti	
2014/0310847	A1	10/2014	Ulriksen et al.	
2015/0060430	A1	3/2015	Tsuge et al.	
2015/0271873	A1	9/2015	Gray et al.	

FOREIGN PATENT DOCUMENTS

CN	303045022	12/2014
DE	20012075	11/2000
DE	20012530	11/2000
DE	102004029017	1/2008
EM	000082607-0002	* 2/2004
EM	000082607-0003	2/2004
FR	2793116	11/2000
GB	2158693	11/1985
JP	6251757	9/1994
JP	2000064112	2/2000
JP	D1203602	* 4/2004
JP	D1220383	10/2004
NO	20090182-0010	11/2009
RU	00047131	* 5/2000
RU	00089193	7/2004
WO	2012034416	3/2012

OTHER PUBLICATIONS

For 3M Fanatics, Vapor Flash Jacket—p. 23—Nike Talk, Announced Dec. 9, 2014 [Site Visited Aug. 10, 2016]<http://niketalk.com/t/319284/for-3m-fanatics-vapor-flash-jacket/660>.*

Hardshell Jacket ‘Rebirth’ in 2011?—Gear Junkie, Announced Nov. 18, 2010 [Site Visited Aug. 10, 2016]<https://gearjunkie.com/waterproof-breathable-hardshell-jackets-2011>.*

“Convertible Heated Soft-shell Jacket”, <http://www.plusheat.com/by-brand/convertible-heated-soft-shell-jacket.html>, pp. 1-20, 2010.

“Battery Powered 12V Compatible”, <http://www.electricblanket.net/p-96-heated-electric-jacket-battery-12-volt-compatible.aspx>, pp. 1-4, 1999.

The Home Depot. <http://www.homedepot.com/p/Milwaukee-Large-M-12-Lithium-Ion-Cordless-Black-MZ-Heated-Jacket-Kit-2345-L/203461266>. Customer Review from Sep. 2012. “Large M12 Lithium-Ion Cordless Black MZ Heated Jacket Kit”.

REI Windbreaker Fleece Vest—All Around Sturdy Bargain of a Vest, Announced Dec. 2, 2014 [Site Visited Jul. 11, 2016] <http://www.getoutdoorgear.com/1129/rei-windbrake-fleece-vest-all-around-sturdy-bargain-of-a-vest/>.

Schott Shot Padding Primaloft Vest nylon Cotton Padded Vest, Announced Oct. 25, 2014 [Site Visited Jul. 11, 2016] http://global.rakuten.com/en/store/super-rag/item/3142034/?s-id=borderless_recommend_item_en.

Weight Vest for Osteoporosis—Alternative Solutions, Announced Aug. 20, 2013 [Site Visited Jul. 11, 2016] <http://weightvest4osteoporosis.com/>.

* cited by examiner

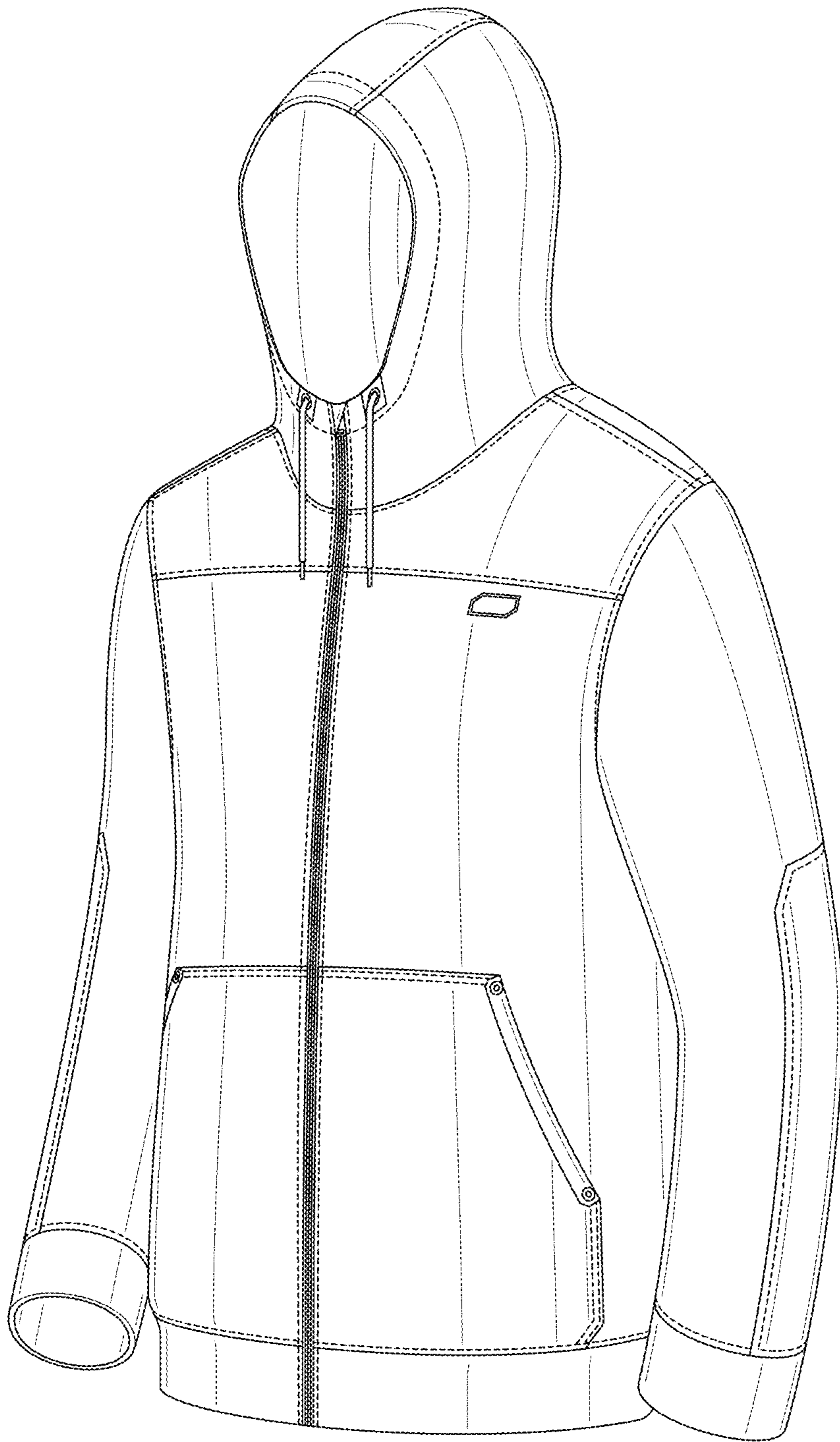


FIG. 1

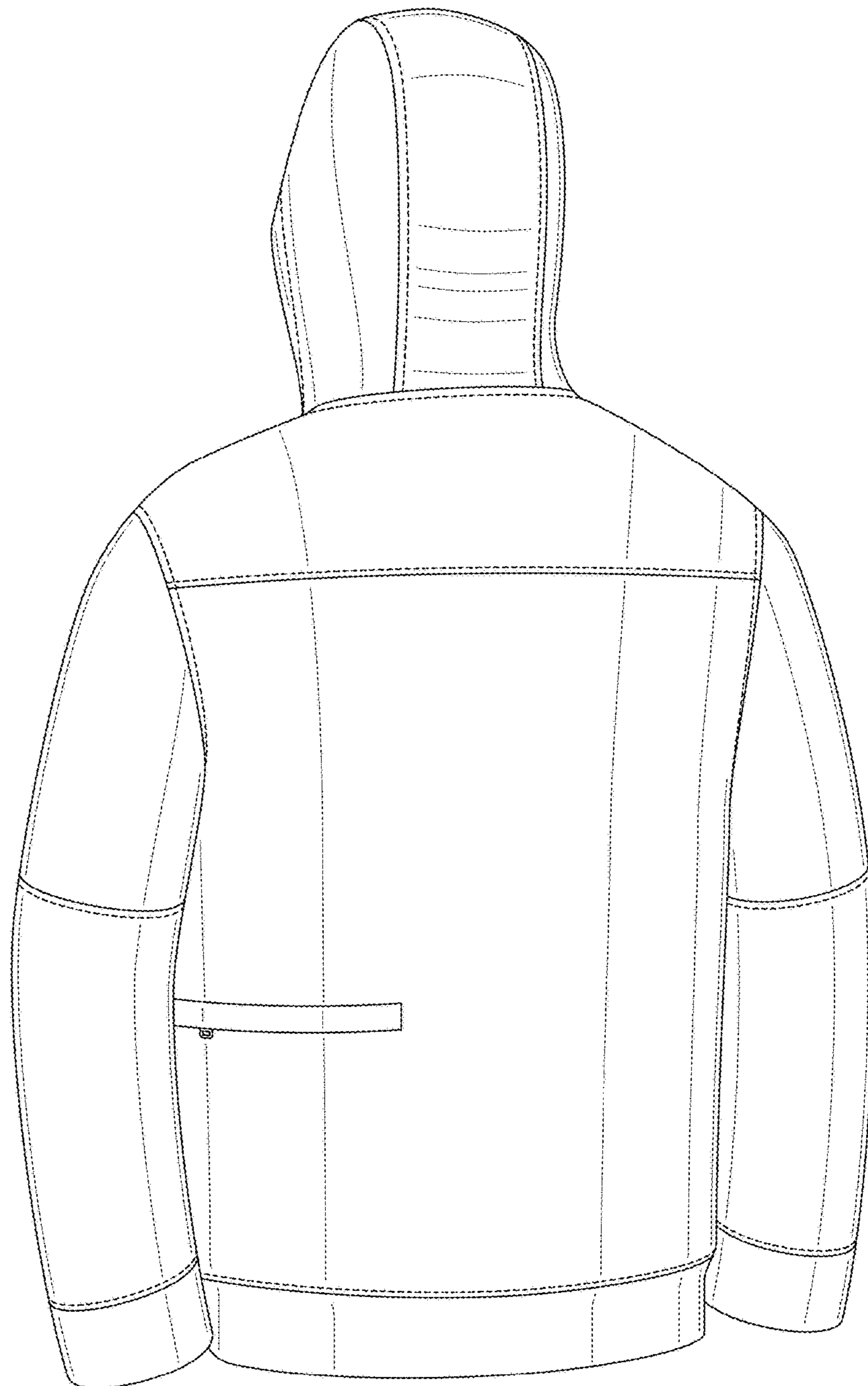


FIG. 2

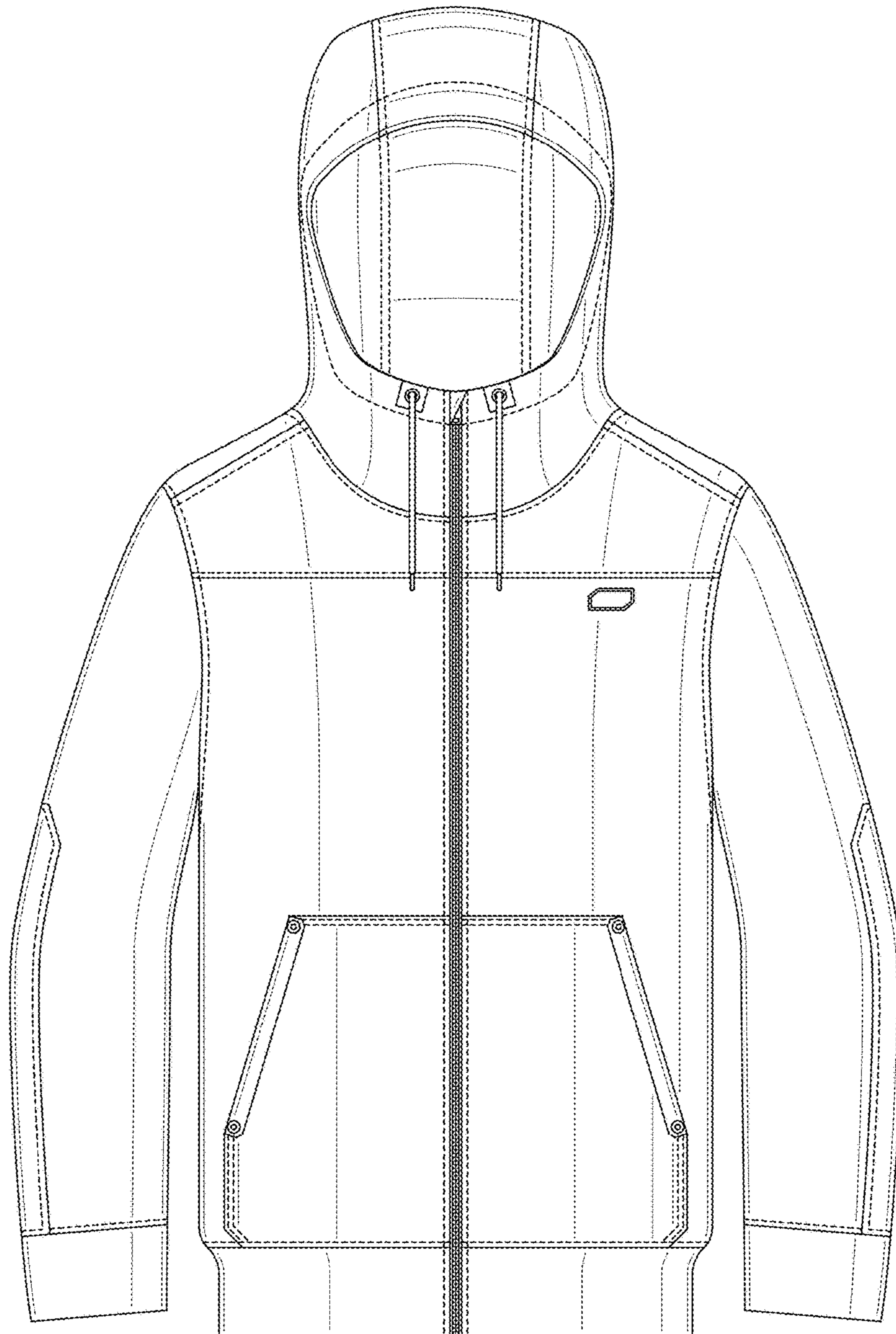


FIG. 3

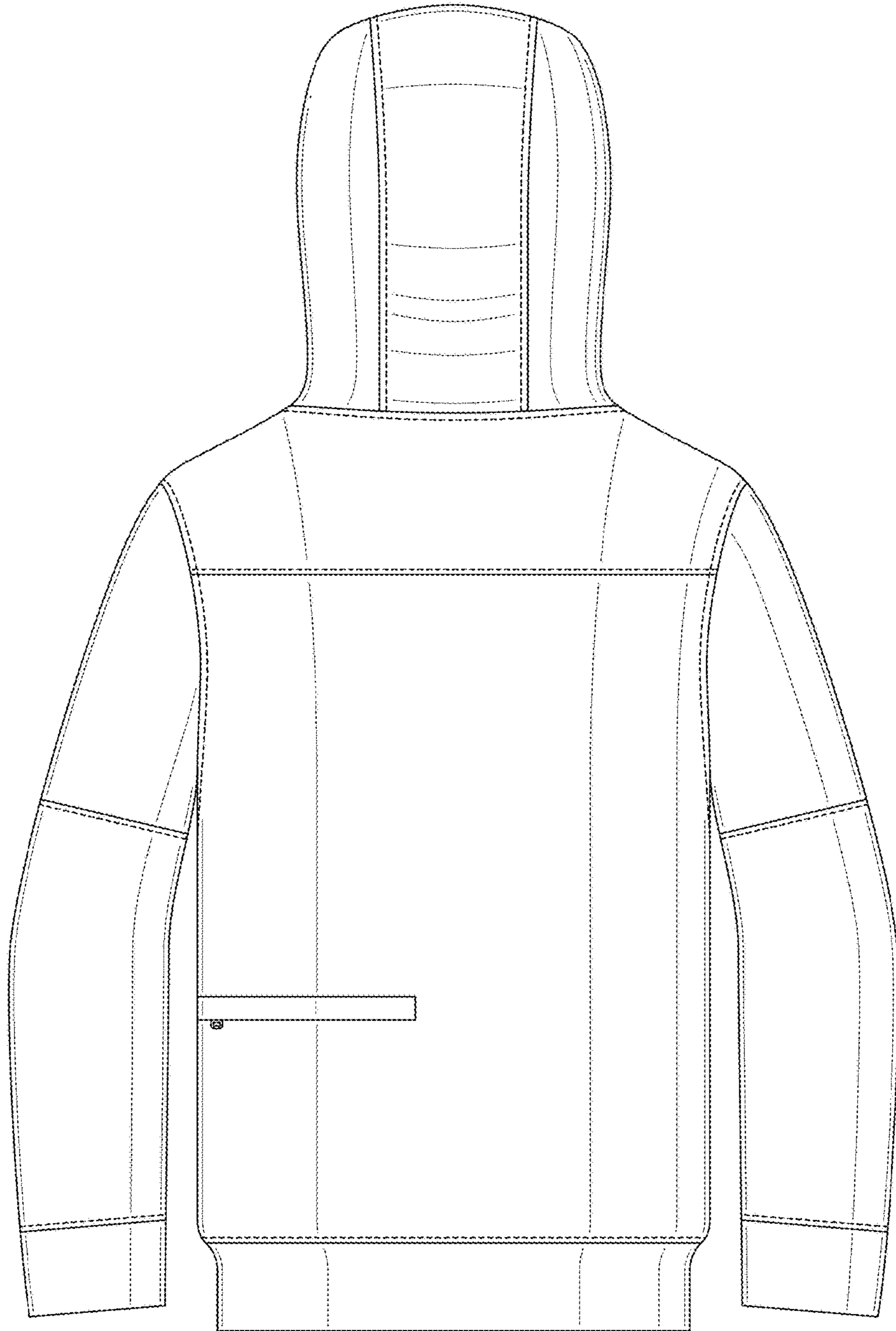


FIG. 4

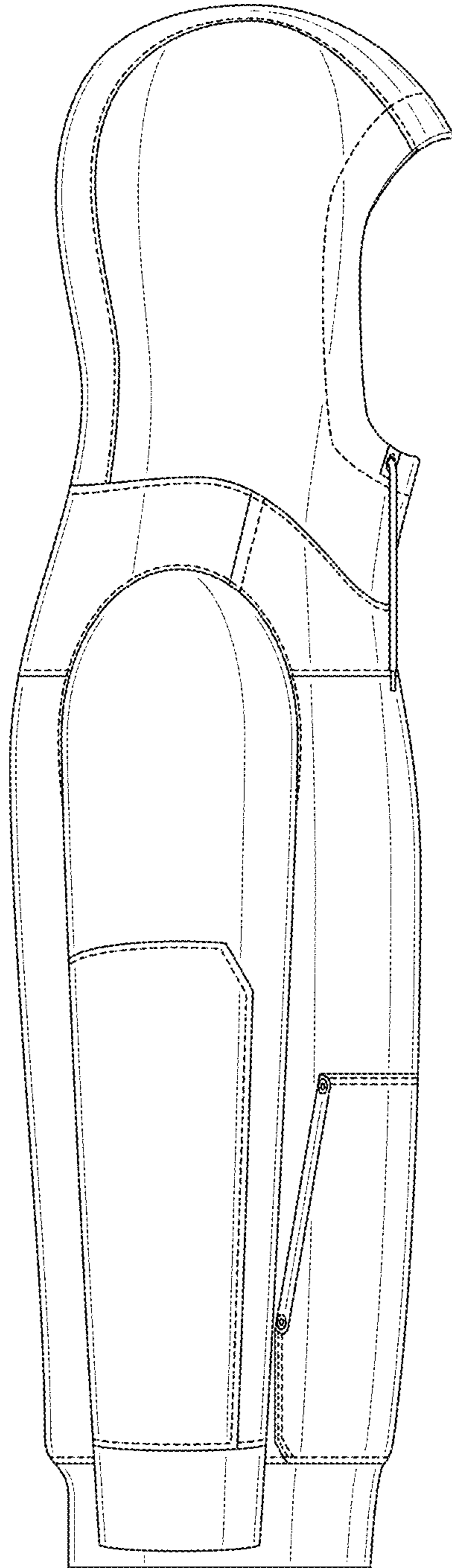


FIG. 5

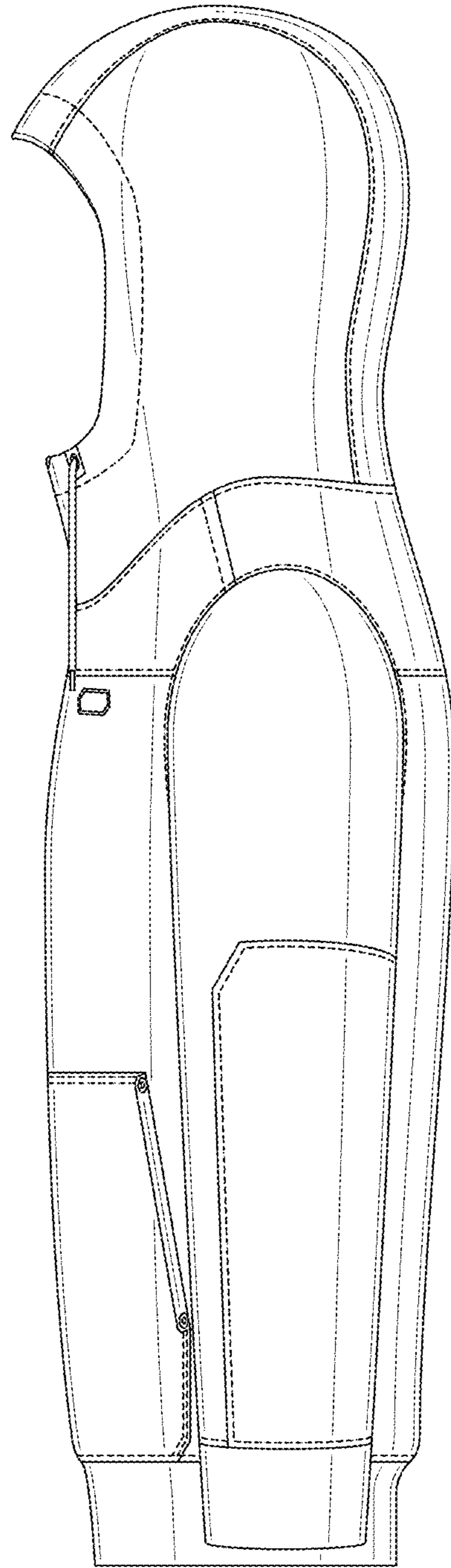


FIG. 6