



US00D787150S

(12) **United States Design Patent**  
**Huthmaker et al.**

(10) **Patent No.:** **US D787,150 S**

(45) **Date of Patent:** **\*\* May 23, 2017**

(54) **SNACK FOOD PRODUCT**

(71) Applicant: **Frito-Lay North America, Inc.**, Plano, TX (US)

(72) Inventors: **Todd James Huthmaker**, Alpharetta, GA (US); **John Mampra Mathew**, Plano, TX (US); **Sevugan Palaniappan**, Plano, TX (US); **Gibran Salazar Hermoso**, Monterrey (MX); **Ngoc Trinh**, Carrollton, TX (US)

(73) Assignee: **Frito-Lay North America, Inc.**, Plano, TX (US)

(\*\*) Term: **15 Years**

(21) Appl. No.: **29/563,644**

(22) Filed: **May 6, 2016**

(51) **LOC (10) Cl.** ..... **01-01**

(52) **U.S. Cl.**  
USPC ..... **D1/122; D1/128**

(58) **Field of Classification Search**  
USPC ..... D1/100–130, 199; 426/104, 108, 138, 426/391, 549, 808, 94, 143, 559, 560; D11/12, 24, 40, 43, 79, 86, 95; D24/101–104; 446/118, 128; D21/335, D21/484, 499, 503; D9/707, 756  
CPC ..... A21D 13/0029; A21D 13/0074; A21D 13/0022; A21D 13/0006; A23L 1/1641; A23L 1/005  
See application file for complete search history.

(56) **References Cited**

**U.S. PATENT DOCUMENTS**

D33,480 S \* 10/1900 Meeker ..... D25/157  
D99,326 S \* 4/1936 Hauswald ..... 206/526

4,121,397 A \* 10/1978 Marcocci ..... E04B 2/08 52/286  
D641,946 S \* 7/2011 Bruyeva ..... D1/127  
D641,948 S \* 7/2011 Bruyeva ..... D1/127  
D641,949 S \* 7/2011 Bruyeva ..... D1/127  
D641,951 S \* 7/2011 Bruyeva ..... D1/127  
D641,952 S \* 7/2011 Bruyeva ..... D1/127  
D642,767 S \* 8/2011 Bruyeva ..... D1/127  
D643,997 S \* 8/2011 Waller ..... D1/122  
D643,998 S \* 8/2011 Bruyeva ..... D1/127  
D644,000 S \* 8/2011 Bruyeva ..... D1/127  
D647,277 S \* 10/2011 Bruyeva ..... D1/127

\* cited by examiner

*Primary Examiner* — Garth Rademaker

*Assistant Examiner* — Katie Stofko Mroczka

(74) *Attorney, Agent, or Firm* — Stephen Y. Liu; Colin P. Cahoon; Carstens & Cahoon, LLP

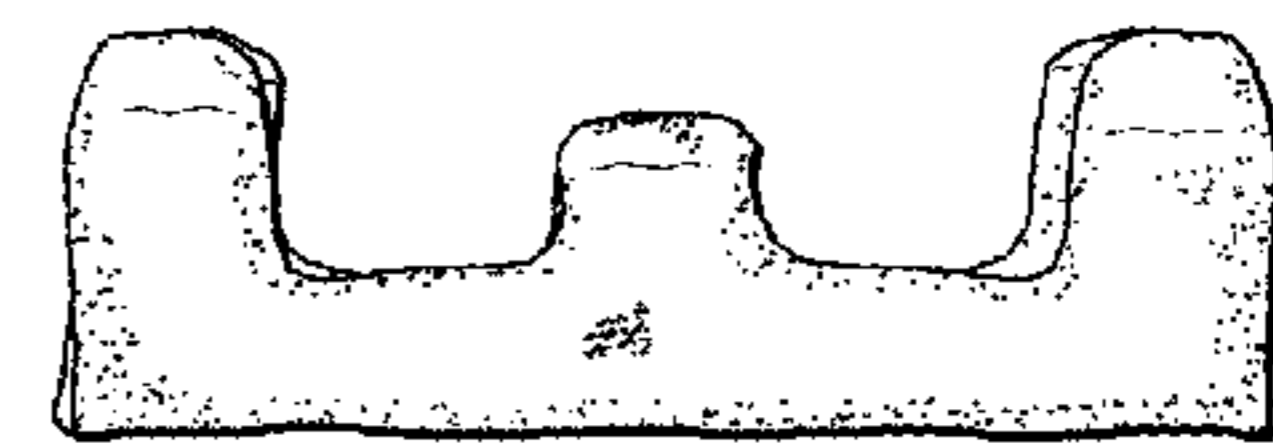
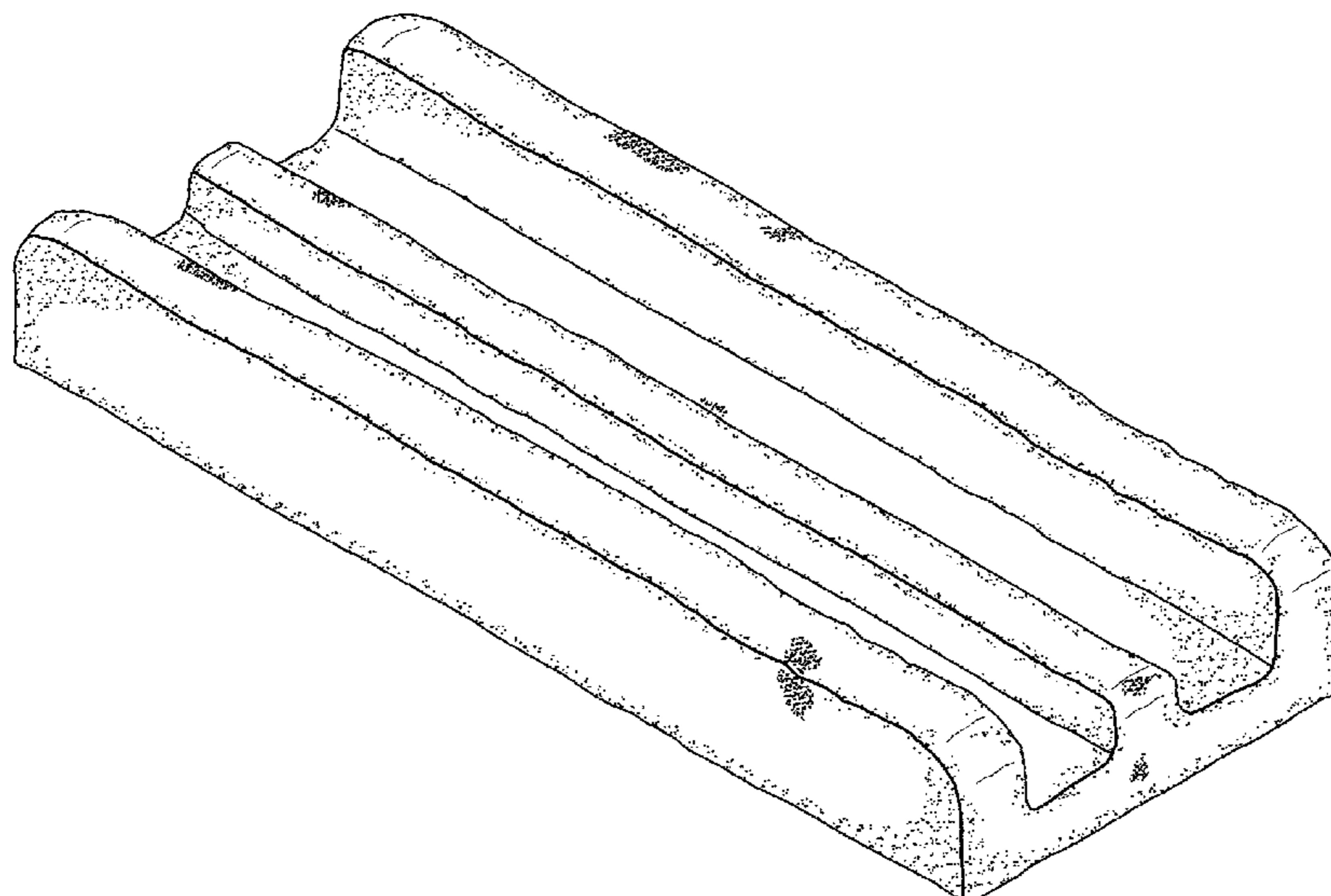
(57) **CLAIM**

The ornamental design for a snack food product, as shown and described.

**DESCRIPTION**

FIG. 1 is a perspective view of a snack food product; FIG. 2 is a front view thereof; FIG. 3 is a back view thereof; FIG. 4 is a right side view thereof; FIG. 5 is a left side view thereof; FIG. 6 is a top view thereof; and, FIG. 7 is a bottom view thereof.

**1 Claim, 3 Drawing Sheets**



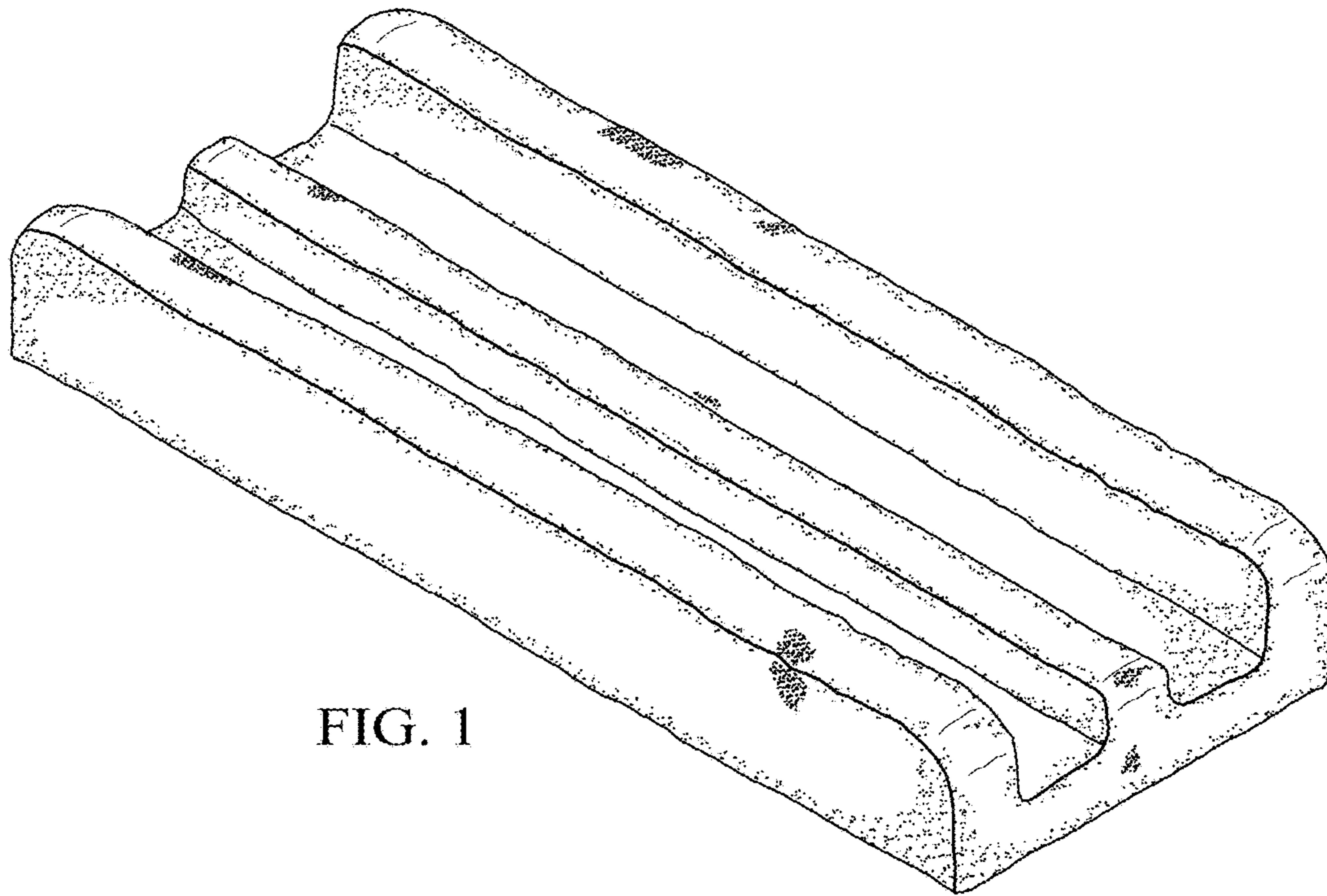


FIG. 1

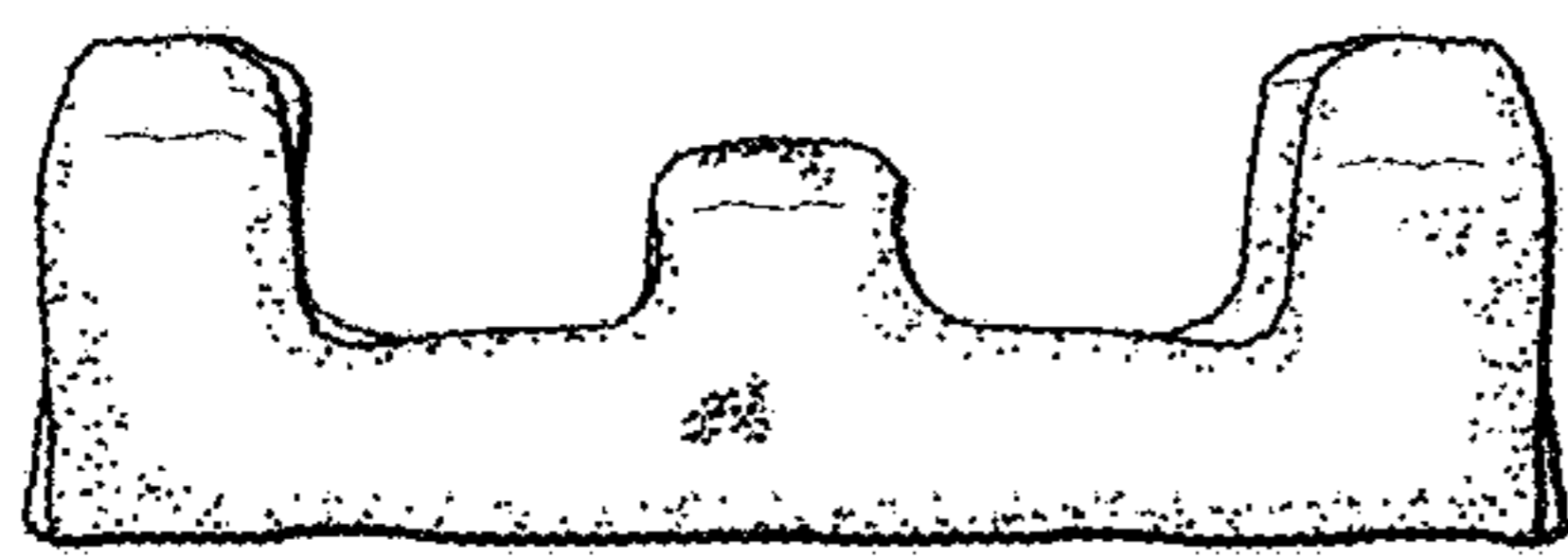


FIG. 2

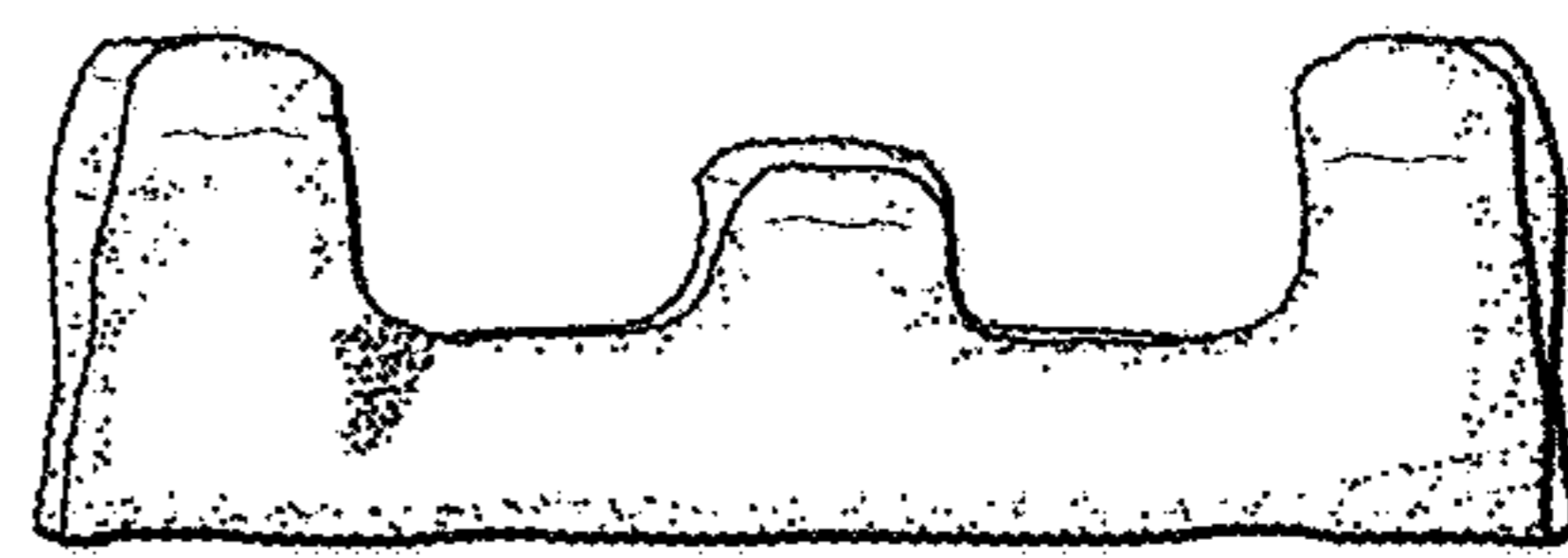


FIG. 3

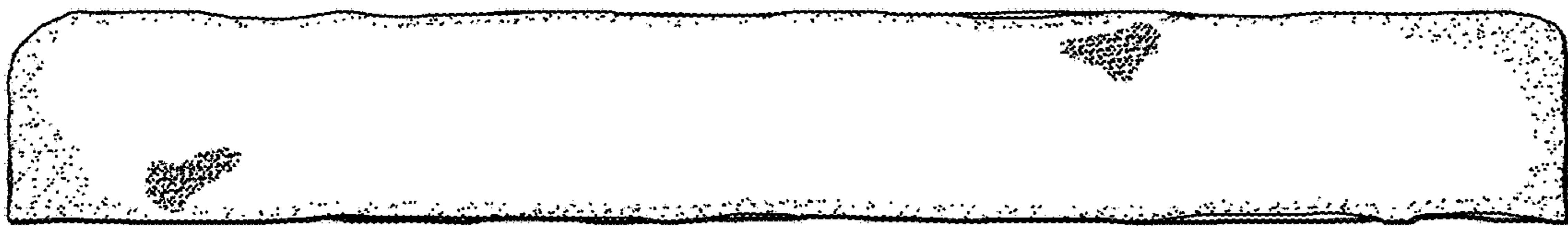


FIG. 4

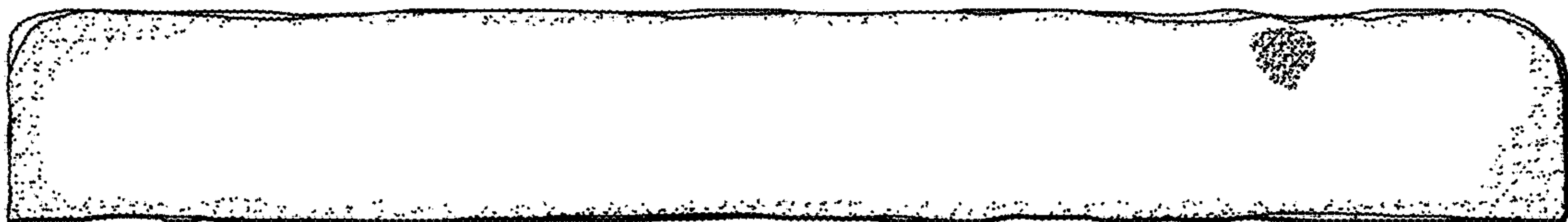


FIG. 5

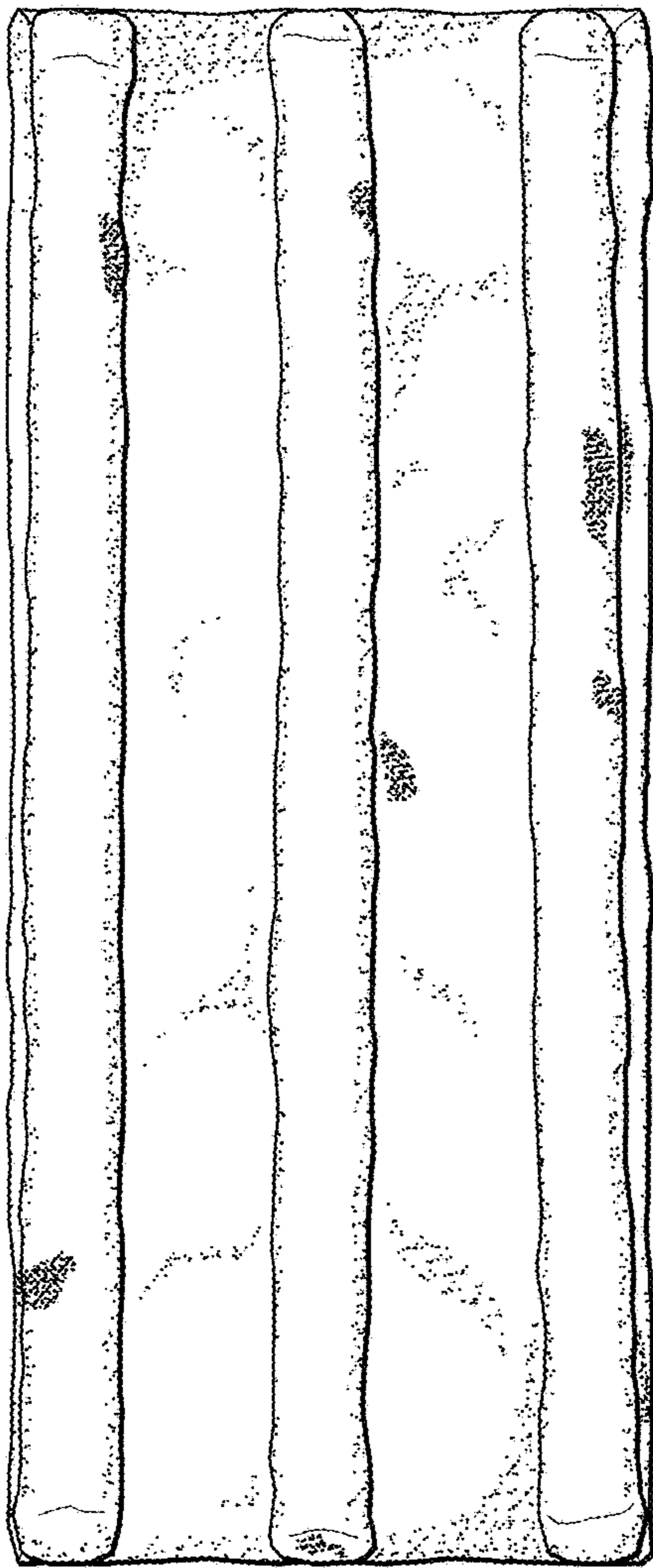


FIG. 6

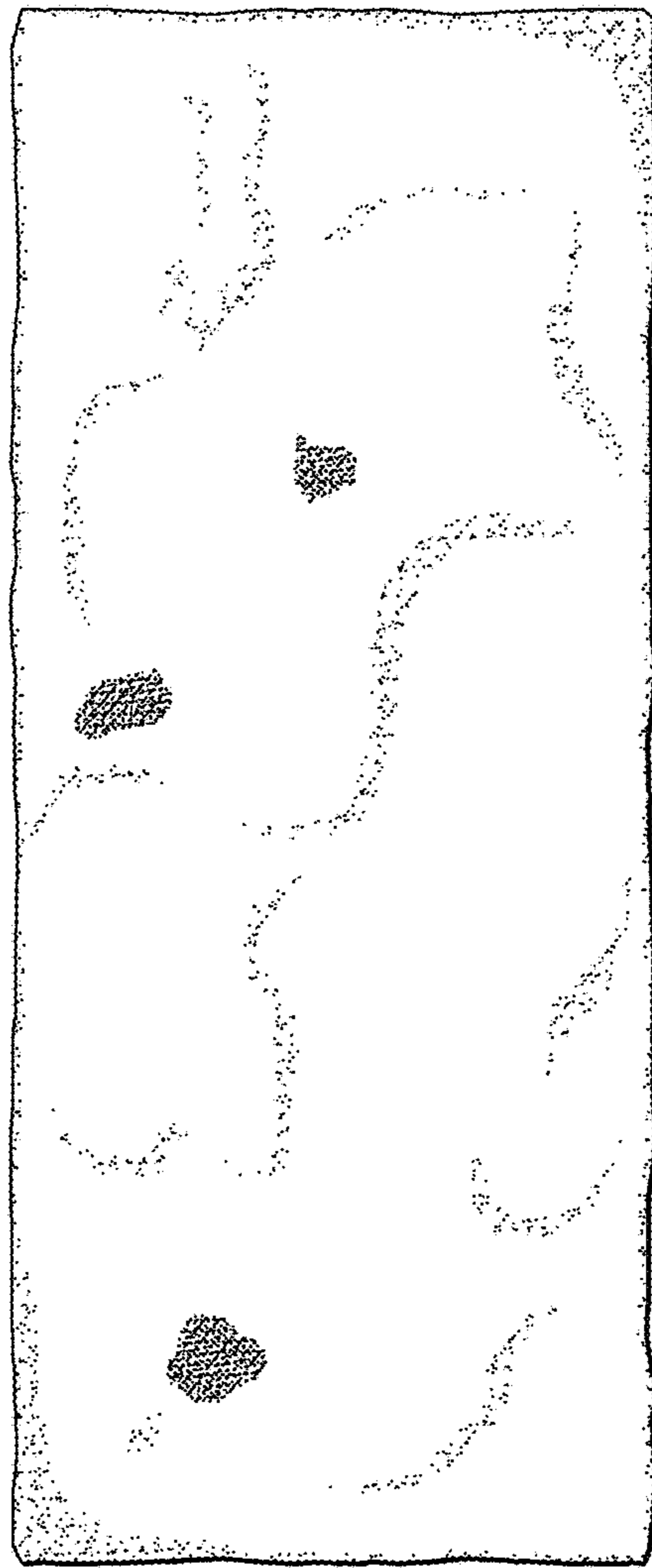


FIG. 7