



US00D787148S

(12) **United States Design Patent**  
**Orschulik**

(10) **Patent No.:** **US D787,148 S**

(45) **Date of Patent:** **\*\* May 16, 2017**

(54) **FORKLIFT-TRAY**

**FOREIGN PATENT DOCUMENTS**

(71) Applicant: **Pöppelmann Holding GmbH & Co. KG, Lohne (DE)**

DE 9012847.8 U1 1/1991  
DE 20004084 U1 7/2000

(Continued)

(72) Inventor: **Günther Orschulik, Holdorf (DE)**

*Primary Examiner* — Cynthia Ramirez

(73) Assignee: **Pöppelmann Holding GmbH & Co. KG, Lohne (DE)**

(74) *Attorney, Agent, or Firm* — Alix, Yale & Ristas, LLP

(\*\*) Term: **14 Years**

(57) **CLAIM**

(21) Appl. No.: **29/514,054**

The ornamental design for the forklift-tray, as shown and described.

(22) Filed: **Jan. 8, 2015**

**DESCRIPTION**

(30) **Foreign Application Priority Data**

Jul. 8, 2014 (EM) ..... 002 499 012

(51) **LOC (10) Cl.** ..... **12-05**

(52) **U.S. Cl.**  
USPC ..... **D34/35**

(58) **Field of Classification Search**  
USPC ..... D34/38; 108/51.11, 51.3, 55.3, 57.1;  
248/346.02; 211/59.4; D9/757, 761, 762

CPC ..... B65D 2519/00323; B65D 2519/00033;  
B65D 2519/00293; B65D 2519/00273;  
B65D 2519/22572; B65D 2519/00338;  
B65D 2519/00288; B65D 2519/0094;  
B65D 2519/00069; B65D 2519/0318

See application file for complete search history.

(56) **References Cited**

**U.S. PATENT DOCUMENTS**

3,392,902 A \* 7/1968 Donovan ..... B65D 5/503  
206/521.1

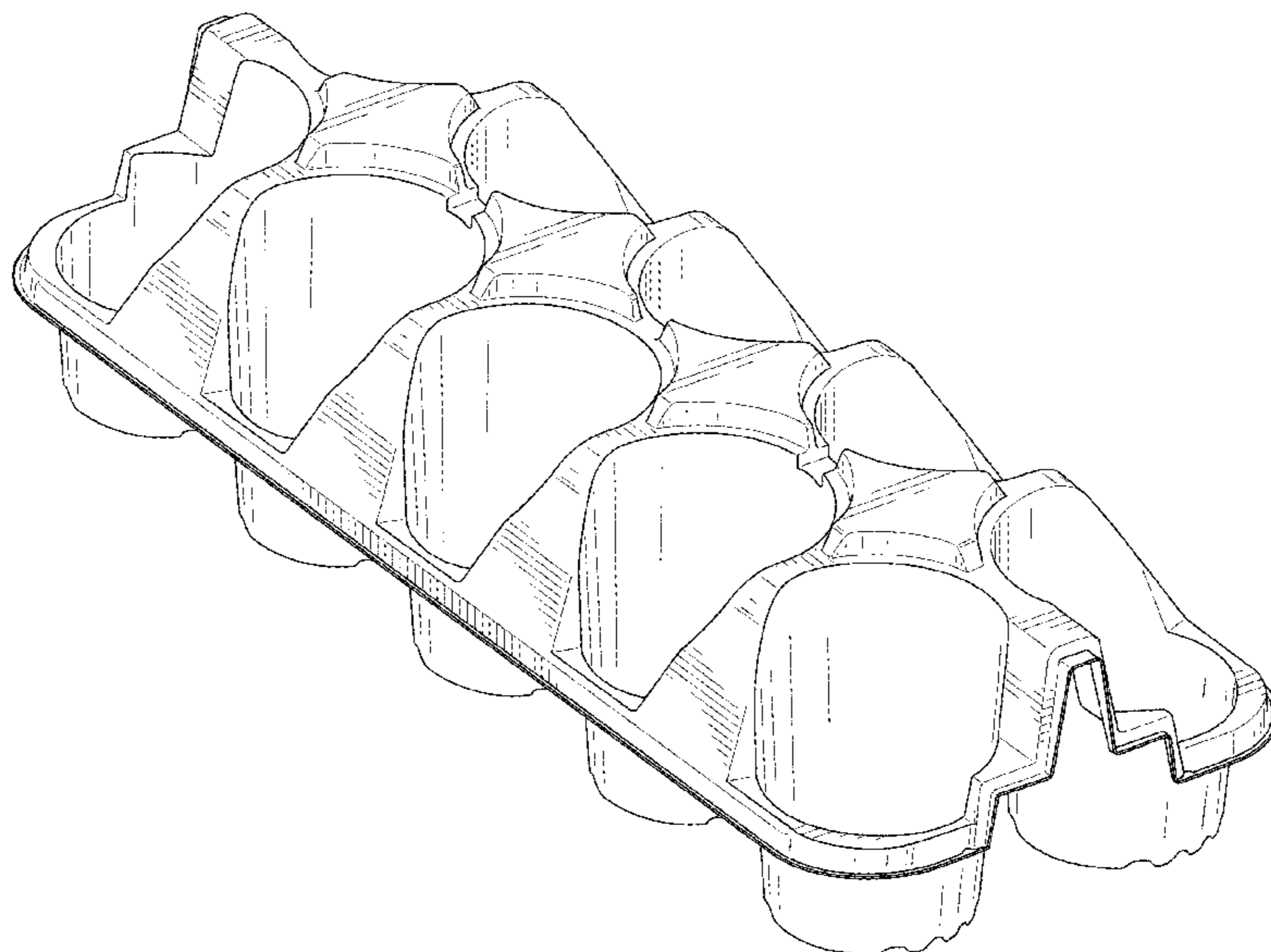
D338,311 S \* 8/1993 Ausavich ..... D34/38

D371,961 S \* 7/1996 Krupa ..... D9/757

(Continued)

FIG. 1 is a perspective view of a first embodiment of the forklift-tray showing my new design;  
FIG. 2 is a front elevation view of the forklift-tray of FIG. 1, with the rear elevation view being a mirror image thereof;  
FIG. 3 is a right end view of the forklift-tray of FIG. 1, with the left end view being a mirror image thereof;  
FIG. 4 is a top plan view of the forklift-tray of FIG. 1;  
FIG. 5 is a bottom plan view of the forklift-tray of FIG. 1;  
FIG. 6 is a perspective view of a second embodiment of a forklift-tray showing my new design;  
FIG. 7 is a front elevation view of the forklift-tray of FIG. 6, with the rear elevation view being a mirror image thereof;  
FIG. 8 is a right end view of the forklift-tray of FIG. 6, with the left end view being a mirror image thereof;  
FIG. 9 is a top plan view of the forklift-tray of FIG. 6; and, FIG. 10 is a bottom plan view of the forklift-tray of FIG. 6. No claim is made to the portions shown in broken lines. The second embodiment for a forklift-tray shown in FIGS. 6 through 10 is being shown with a symbolic break in its length. The appearance of any portion of the article between the break lines form no part of the claimed design.

**1 Claim, 8 Drawing Sheets**



(56)

**References Cited**

U.S. PATENT DOCUMENTS

6,276,531	B1 *	8/2001	Andrews .....	B65D 85/32 206/511
D465,417	S *	11/2002	Apps .....	D9/456
D494,867	S *	8/2004	Apps .....	D9/456
D521,208	S *	5/2006	France .....	D34/38
D551,424	S *	9/2007	Meisen .....	D34/38
D567,473	S *	4/2008	Hutter, III .....	D34/38
D567,672	S *	4/2008	Sheu .....	D9/456
7,454,864	B2	11/2008	Smith et al.	
D606,421	S *	12/2009	Krummenacher .....	D9/757
7,845,114	B2	12/2010	Kirtz et al.	
D632,960	S *	2/2011	Gilfert .....	D9/456
D655,629	S *	3/2012	Blanton .....	D9/761
D682,120	S *	5/2013	Attard .....	D9/757
D682,503	S *	5/2013	Fehrman, Jr. ....	D34/38
D694,126	S *	11/2013	Blanchette .....	D9/757
D732,789	S *	6/2015	Tippmann .....	D34/38
D734,171	S *	7/2015	Bennett .....	D9/762
D739,264	S *	9/2015	Buccellato .....	D7/354
D739,767	S *	9/2015	Schleining .....	D9/757
2002/0066227	A1	6/2002	Wood-Phillips	
2006/0219594	A1 *	10/2006	Andrews .....	B65D 85/32 206/521.8
2012/0066970	A1	3/2012	Contillo, III et al.	

FOREIGN PATENT DOCUMENTS

EM	00357212-0001	8/2005
EP	2499902 A1	9/2012

\* cited by examiner

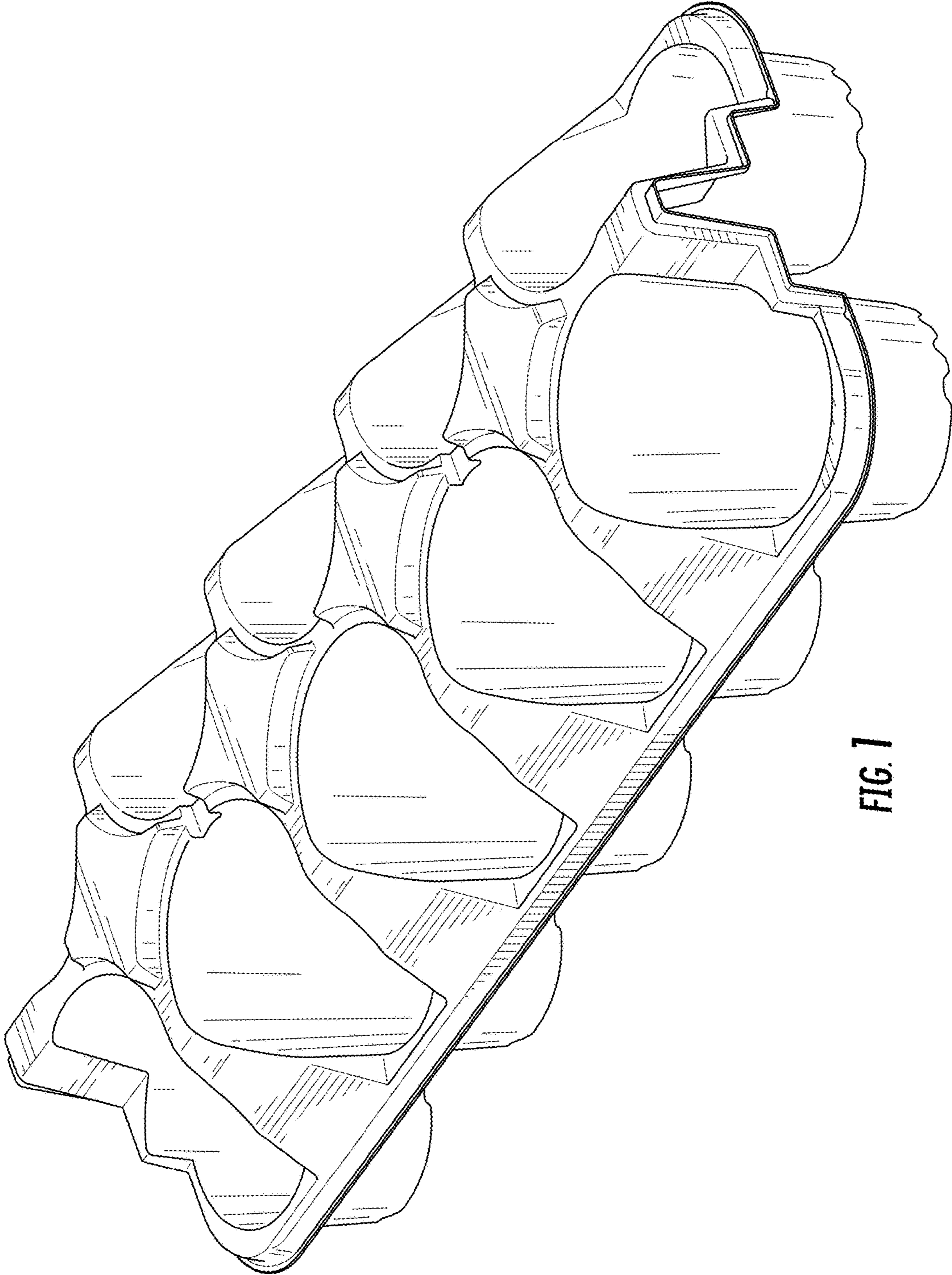


FIG. 1

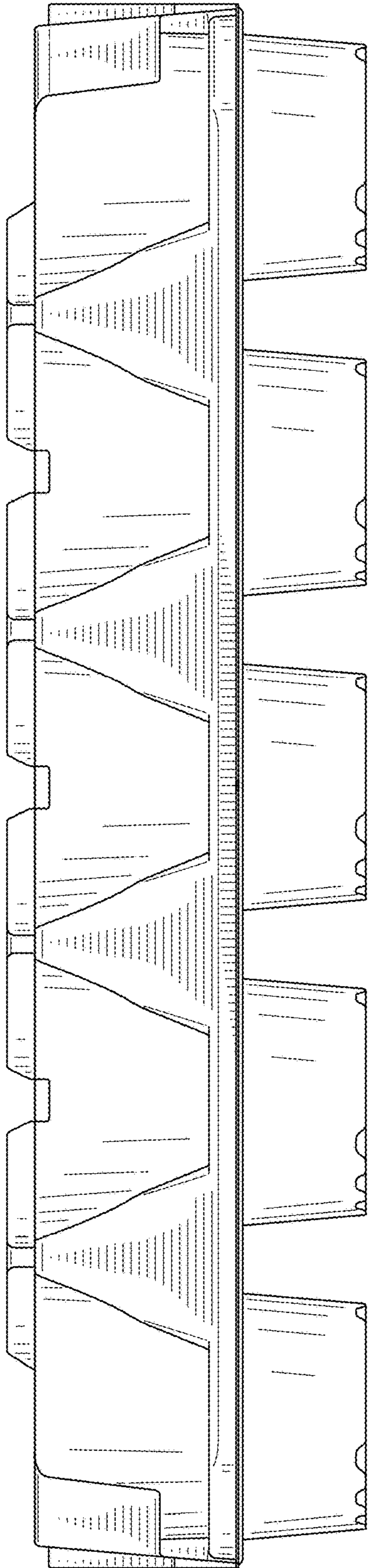


FIG. 2

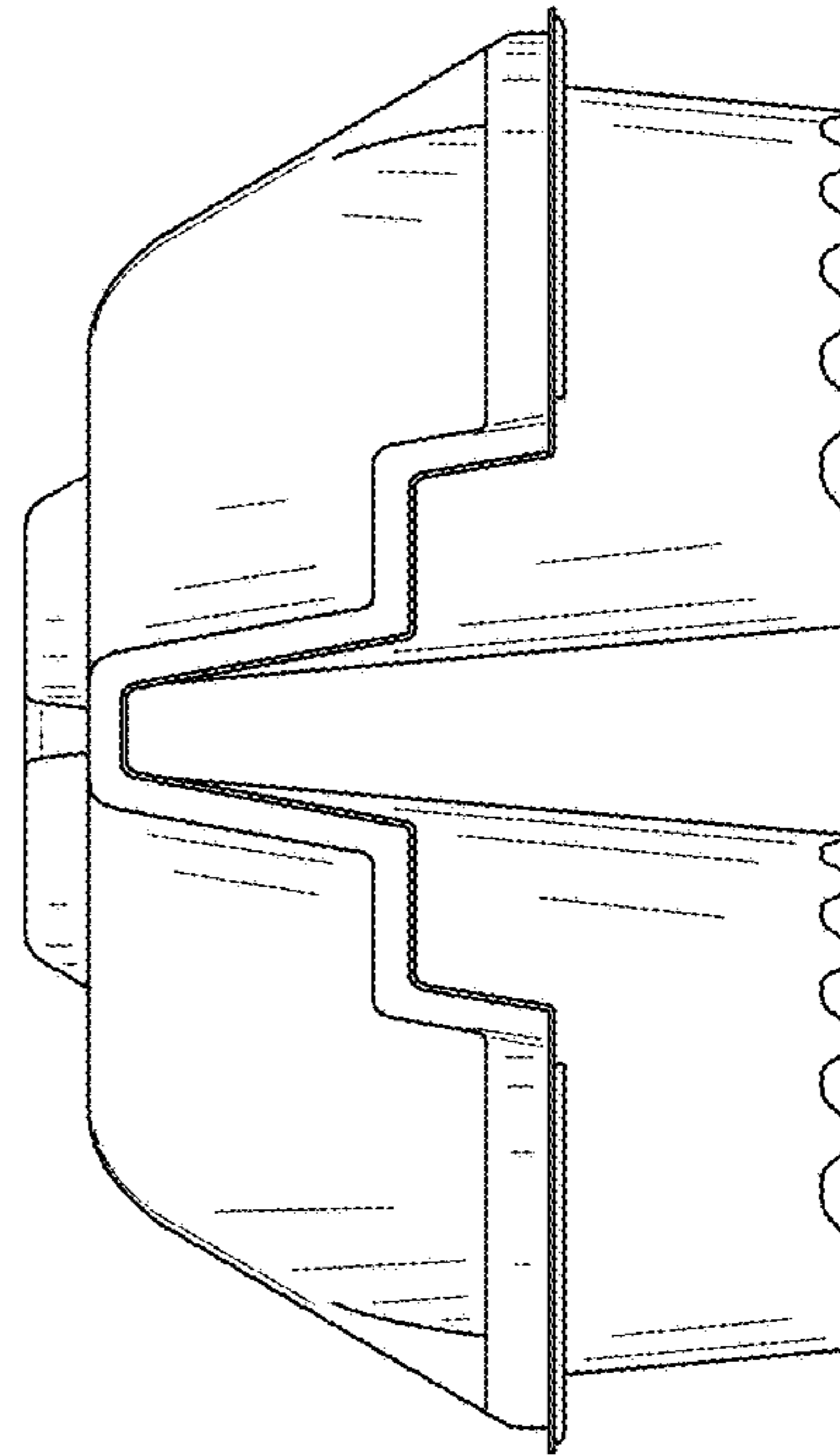


FIG. 3

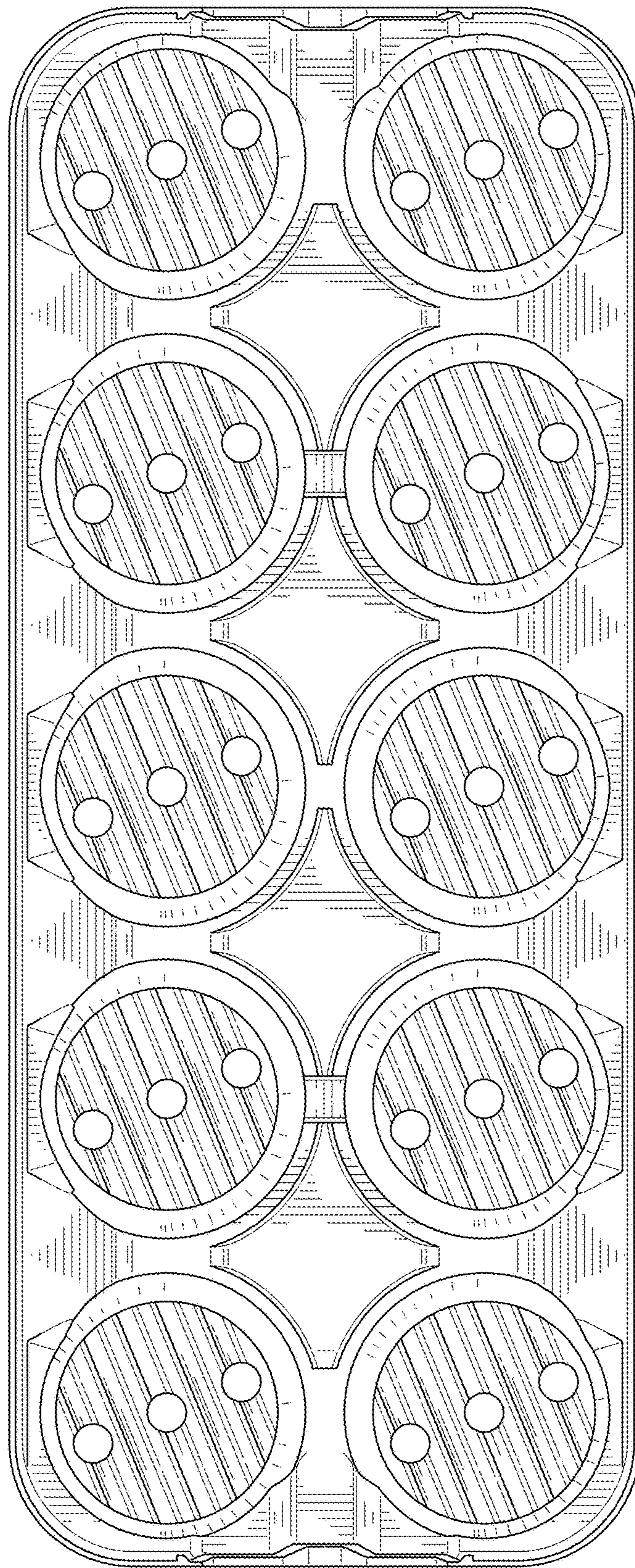


FIG. 4

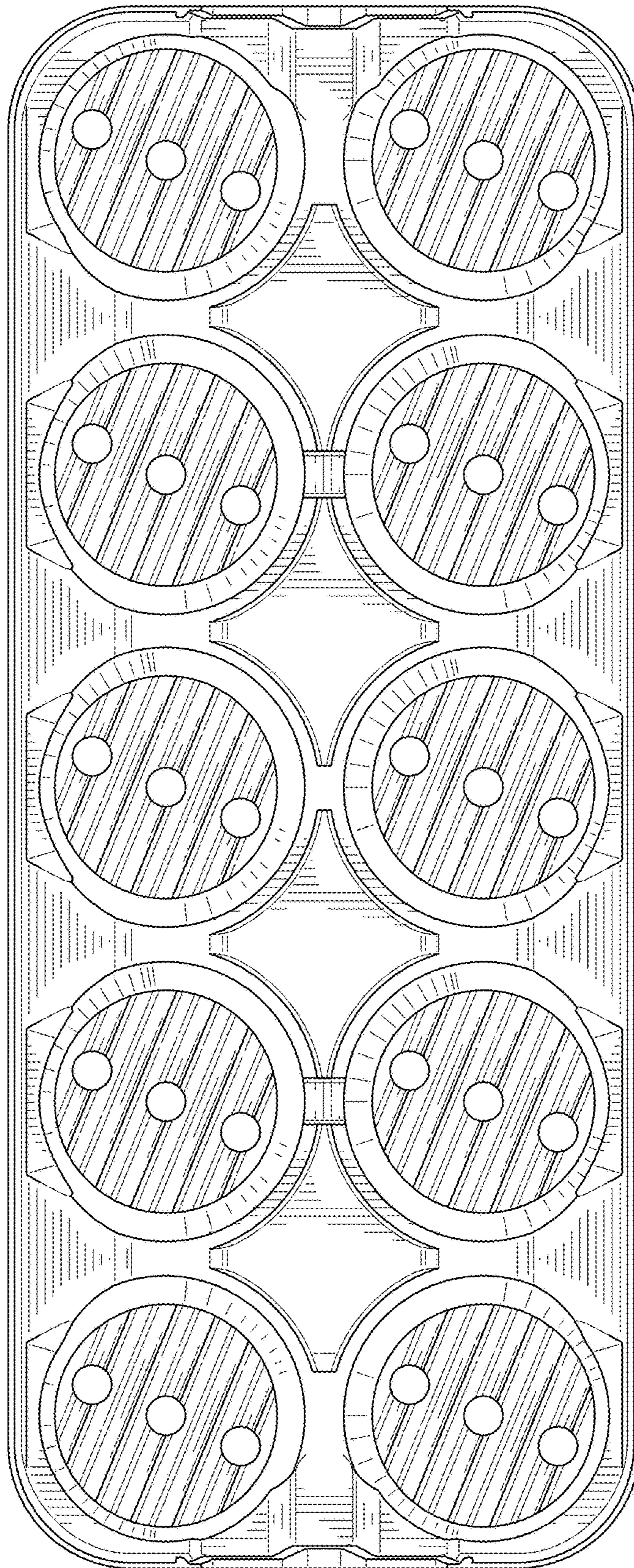


FIG. 5

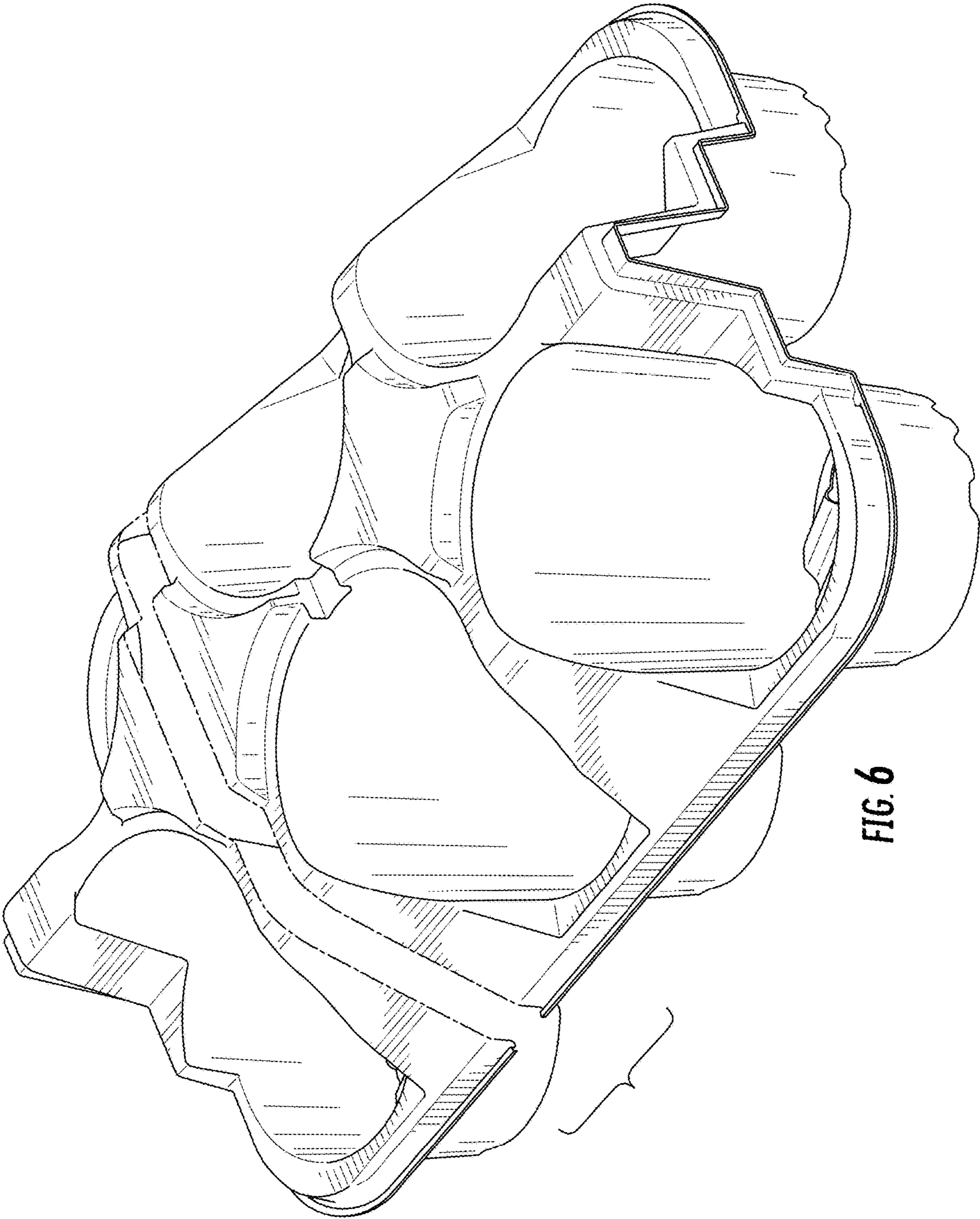


FIG. 6

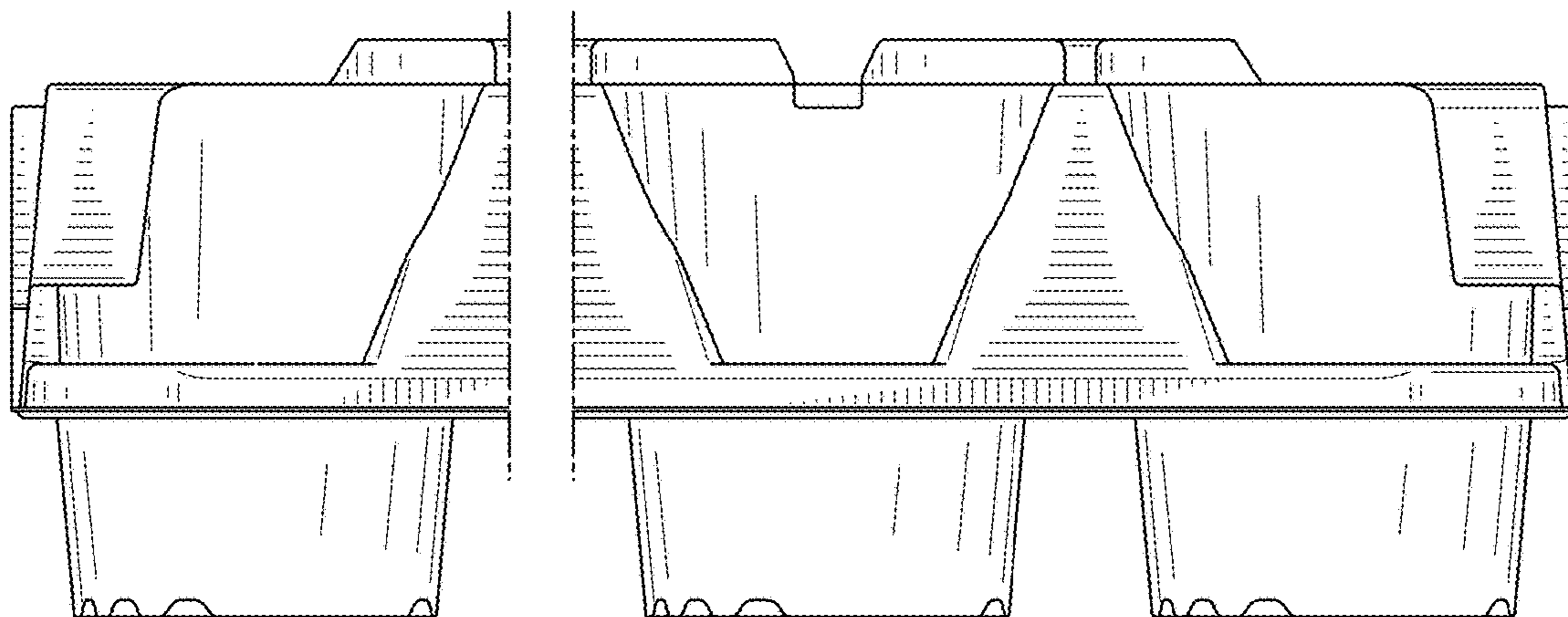


FIG. 7

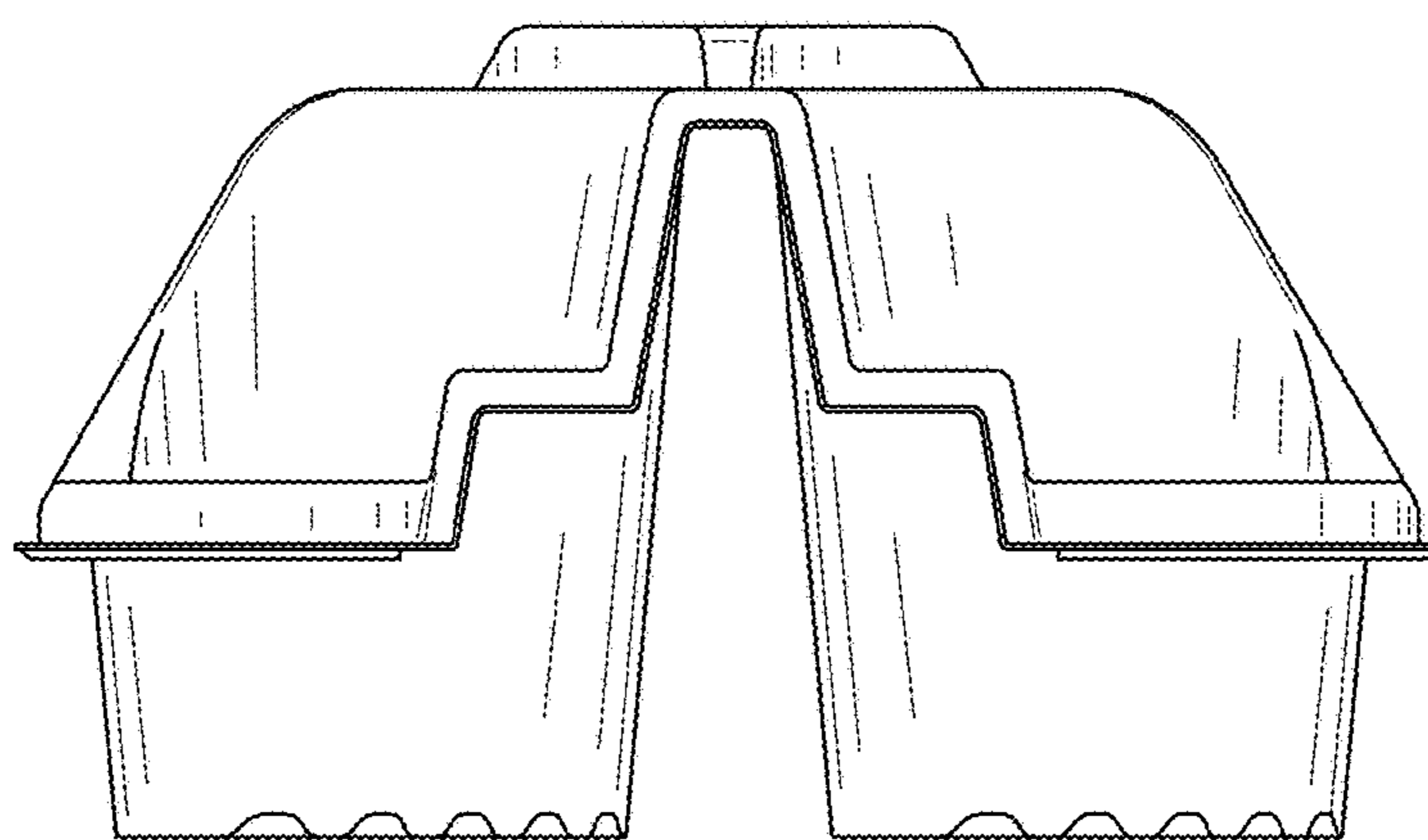


FIG. 8



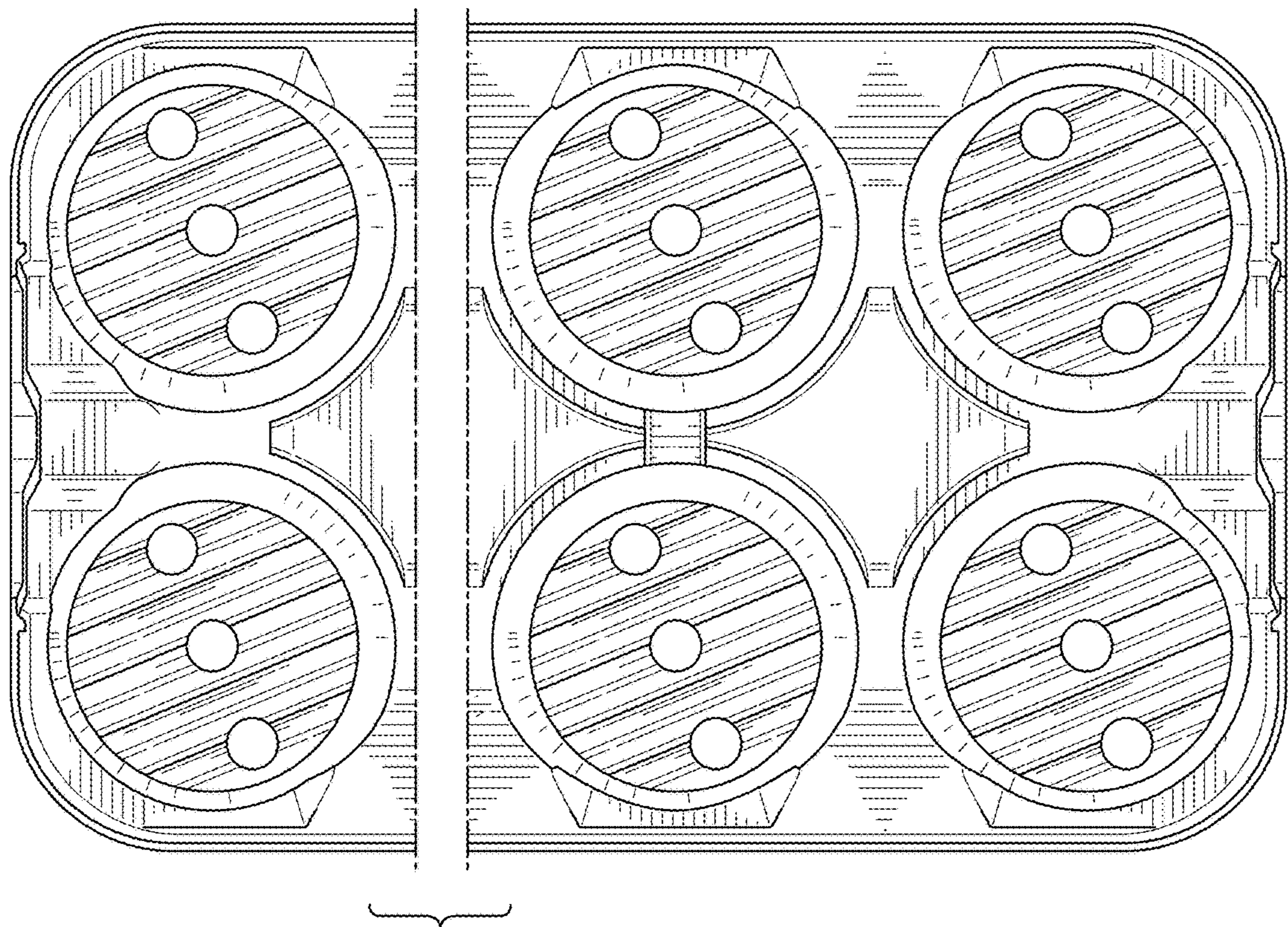


FIG. 9

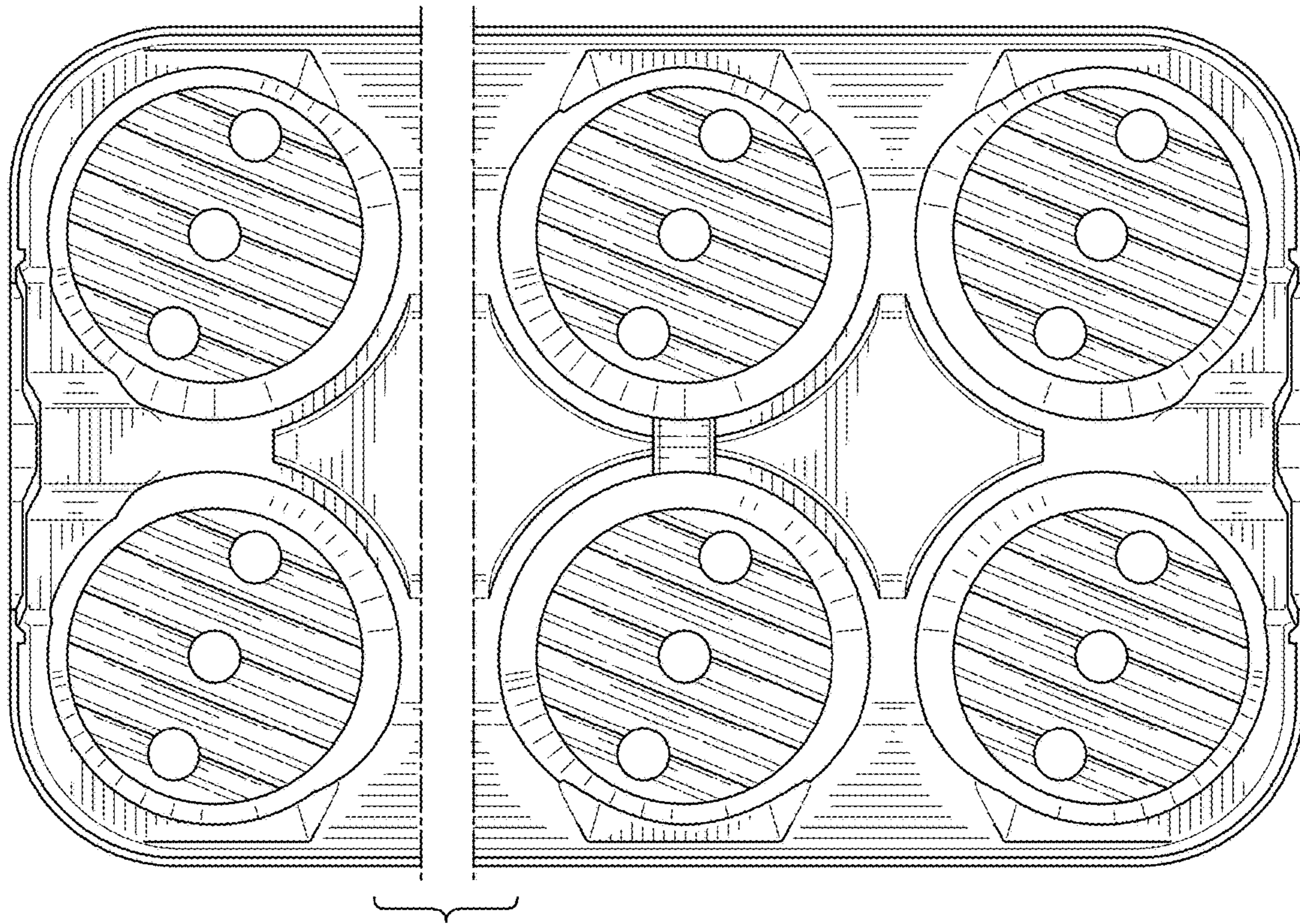


FIG. 10