



US00D787147S

(12) **United States Design Patent**  
**Petrovich**

(10) **Patent No.:** **US D787,147 S**

(45) **Date of Patent:** **\*\* May 16, 2017**

(54) **TROLLEY**

(71) Applicant: **My Trollee Pty Limited**, Merewether (AU)

(72) Inventor: **Vic Petrovich**, Merewether (AU)

(73) Assignee: **My Trollee Pty Limited**, Merewether (AU)

(\*\*) Term: **15 Years**

(21) Appl. No.: **29/550,972**

(22) Filed: **Jan. 8, 2016**

(30) **Foreign Application Priority Data**

Jul. 8, 2015 (AU) ..... 201513434

(51) **LOC (10) Cl.** ..... **12-02**

(52) **U.S. Cl.**  
USPC ..... **D34/17**

(58) **Field of Classification Search**  
USPC ..... D34/12, 14, 16, 17, 19, 20, 21, 22, 23,  
D34/24, 25, 27; 280/73, 655, 163, 77,  
280/43.12, 648

CPC ..... B62B 3/006; B62B 3/1444; B62B 3/02;  
B62B 3/10; B62B 3/002; B62B 3/14;  
B62B 3/144; B62B 3/1796; B62B 3/1404;  
B62B 3/182; B62B 3/186; B62B 1/262;  
B62B 3/008; B62B 1/125; B62B 1/24;  
B62B 1/26

See application file for complete search history.

(56) **References Cited**

**U.S. PATENT DOCUMENTS**

D381,167 S \* 7/1997 Wang ..... D34/17  
D653,832 S \* 2/2012 Vilkomirski ..... D34/25

D710,562 S \* 8/2014 Stauff ..... D34/27  
RE45,915 E \* 3/2016 Walter ..... D34/21  
9,358,994 B1 \* 6/2016 Yang ..... B62B 1/12  
2011/0272923 A1 \* 11/2011 Chen ..... B62B 7/083  
280/649  
2012/0074665 A1 \* 3/2012 Salvucci, Jr. .... B62B 3/104  
280/47.24  
2012/0104729 A1 \* 5/2012 Yi ..... B62B 7/08  
280/642  
2016/0200339 A1 \* 7/2016 Dhand ..... B62B 5/06  
280/651

\* cited by examiner

*Primary Examiner* — Cynthia Ramirez

*Assistant Examiner* — Michael Maharajh

(74) *Attorney, Agent, or Firm* — Banner & Witcoff, Ltd.

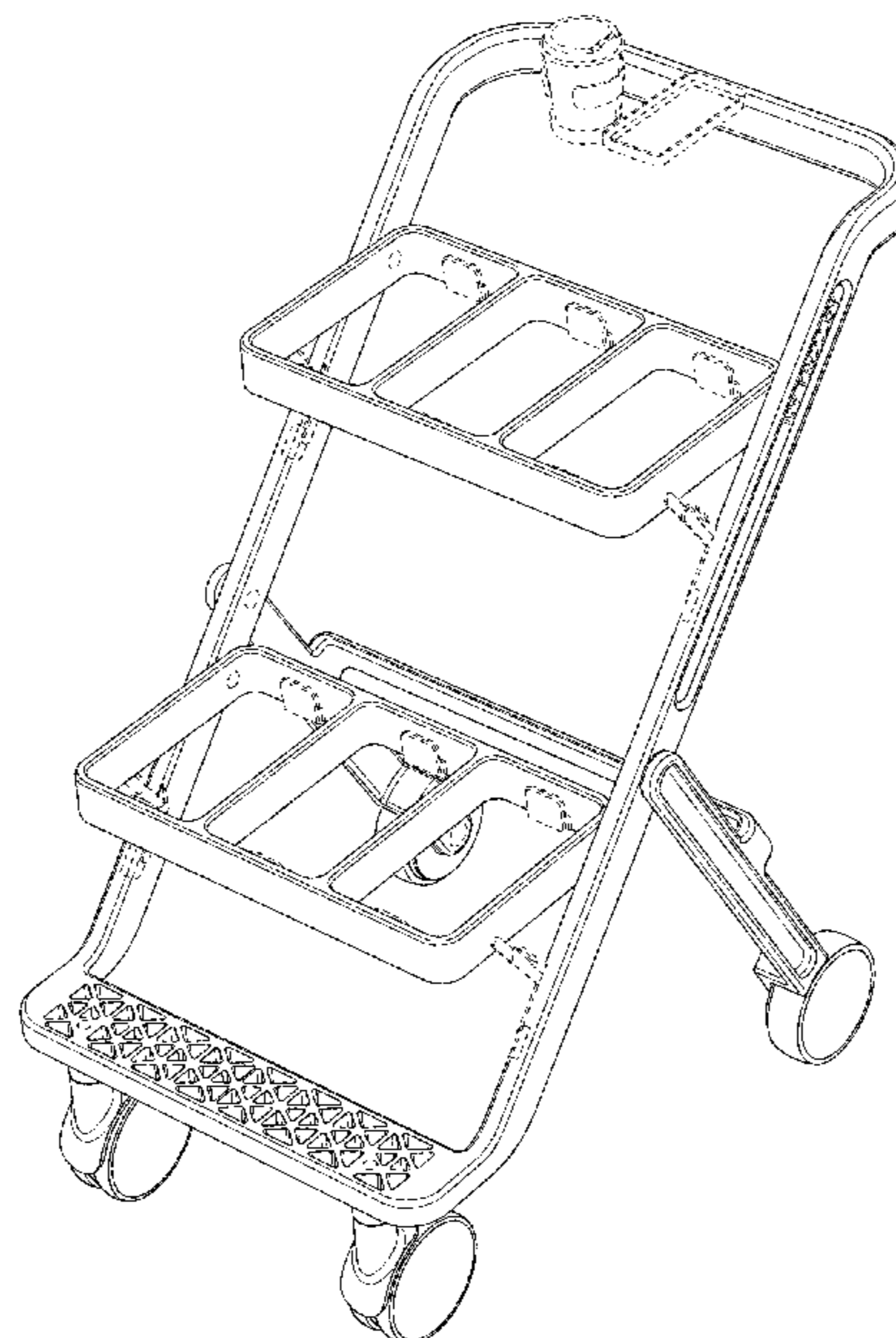
(57) **CLAIM**

The ornamental design for a trolley, as shown and described.

**DESCRIPTION**

FIG. 1 is a top, front right perspective view of a trolley showing my new design;  
FIG. 2 is a top, front perspective view thereof in an alternate position; and,  
FIG. 3 is a side view thereof; wherein the alternate side view is a mirror image thereof.  
The broken lines showing the cup in FIGS. 1, 2 and 3 are for the purpose of illustrating the environment and form no part of the claimed design. The rest of the broken lines in the figures are to show portions of the trolley and form no part of the claimed design.

**1 Claim, 3 Drawing Sheets**



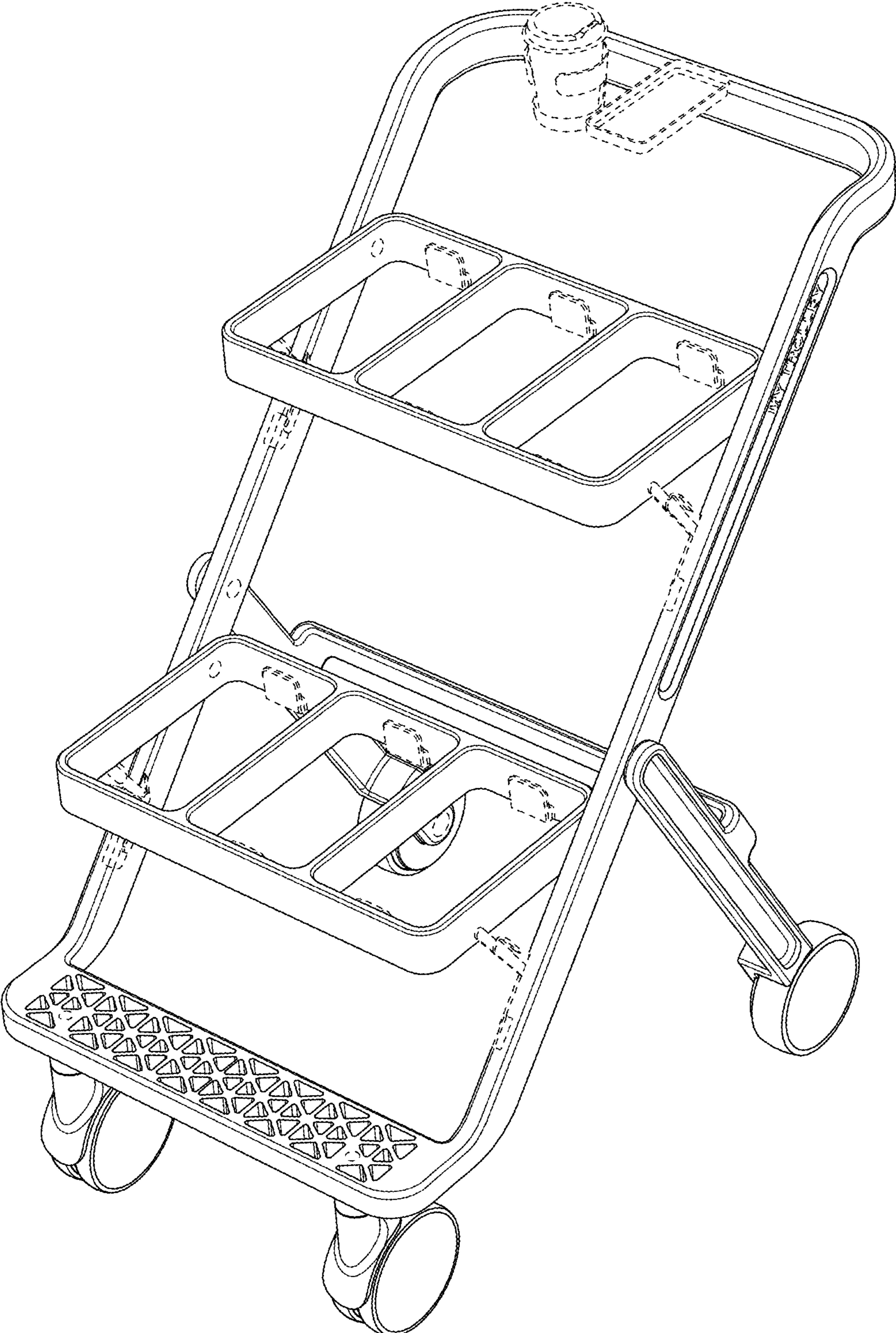
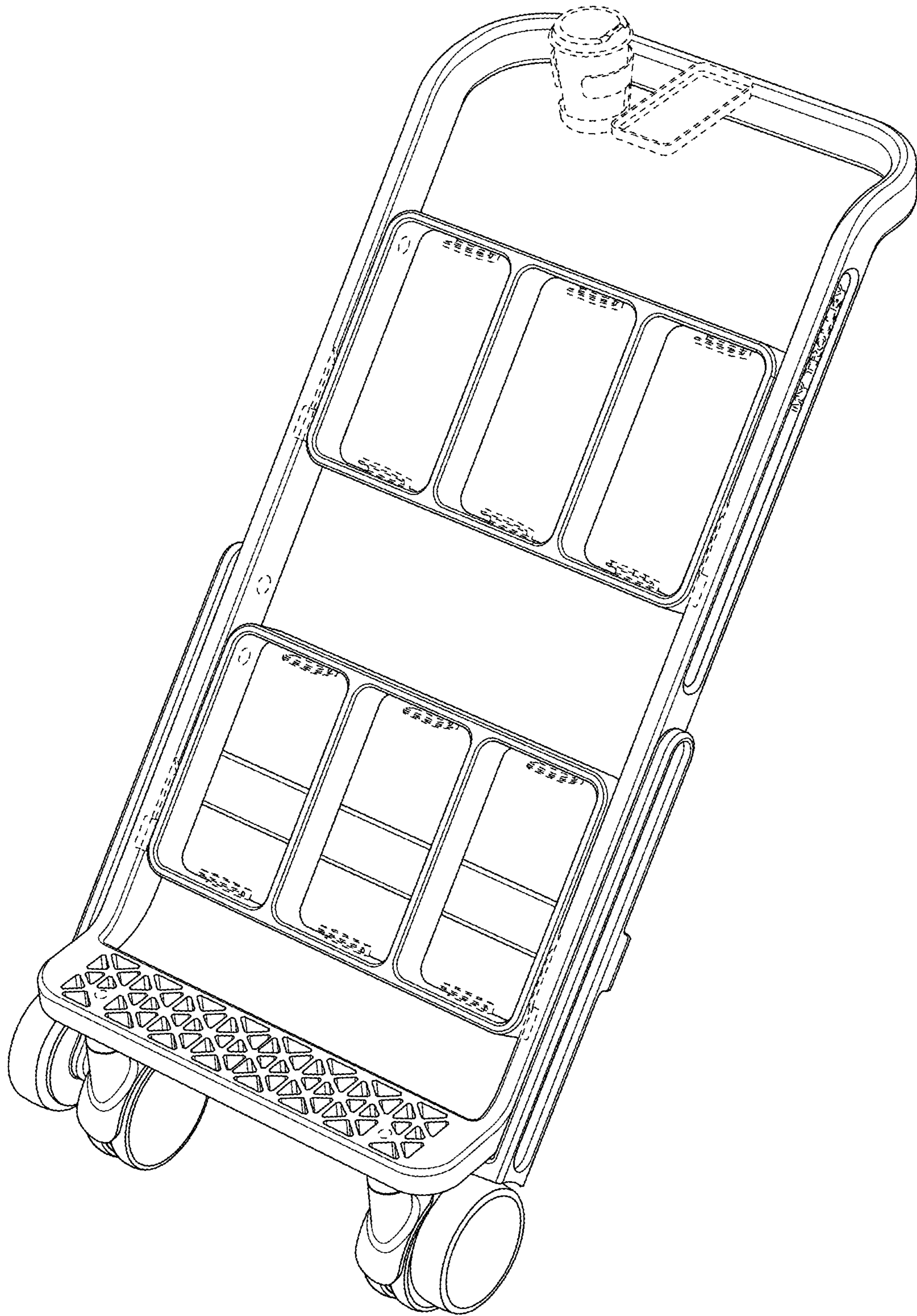
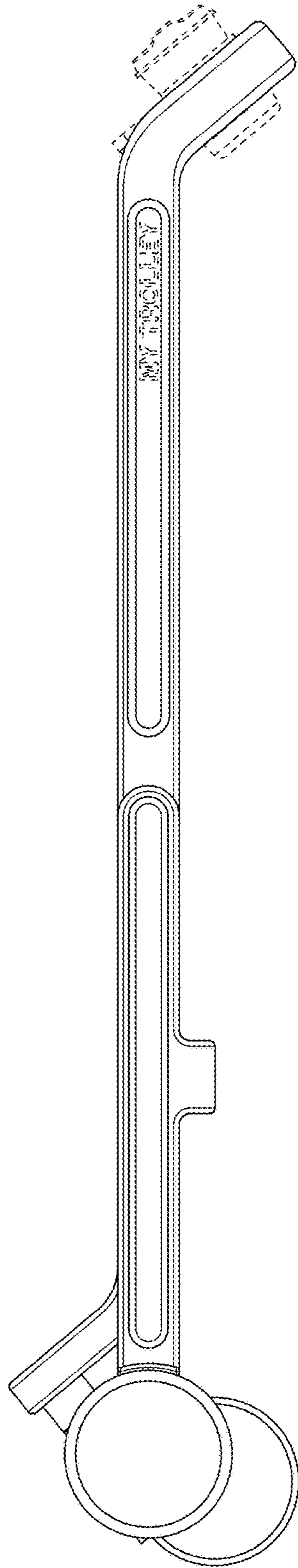


FIG. 1



**FIG. 2**



**FIG. 3**