



US00D787146S

(12) **United States Design Patent** (10) **Patent No.:** **US D787,146 S**
Kassel (45) **Date of Patent:** **** May 16, 2017**

(54) **HANGING WASTE RECEPTACLE APPARATUS**

(71) Applicant: **David Kassel**, Lambertville, NJ (US)

(72) Inventor: **David Kassel**, Lambertville, NJ (US)

(**) Term: **15 Years**

(21) Appl. No.: **29/536,000**

(22) Filed: **Aug. 12, 2015**

(51) **LOC (10) Cl.** **09-09**

(52) **U.S. Cl.**
USPC **D34/8**

(58) **Field of Classification Search**
USPC D34/1-11, 39; 220/482, 476, 477, 479, 220/481, 288, 23.87; D9/521, 695-699, D9/517, 529, 45, 527; 248/100, 907, 248/131; 224/482, 560; D3/304; 43/25.2; D22/134, 125; D6/542
CPC A47F 13/085; A47G 29/00; A47G 7/044; B65F 2210/18; B29C 66/24221; B65D 90/0033; B65D 2313/02
See application file for complete search history.

(56) **References Cited**

U.S. PATENT DOCUMENTS

D274,888 S * 7/1984 Lang D9/521
D278,120 S * 3/1985 Grant D9/521
D311,328 S * 10/1990 van der Tang D9/436
D342,676 S * 12/1993 Wuttke D9/443
D429,158 S * 8/2000 Weber D9/521
D462,492 S * 9/2002 Neuhaus D34/4
D463,644 S * 9/2002 Neuhaus D34/4

D526,455 S * 8/2006 Chen D34/8
D709,589 S * 7/2014 Zebny D22/134
2002/0008107 A1 * 1/2002 Neuhaus B65F 1/06
220/23.87
2007/0157505 A1 * 7/2007 Dodge A01K 97/06
43/25.2

* cited by examiner

Primary Examiner — Cynthia Ramirez

Assistant Examiner — Gino Colan

(74) *Attorney, Agent, or Firm* — Amster, Rothstein & Ebenstein LLP

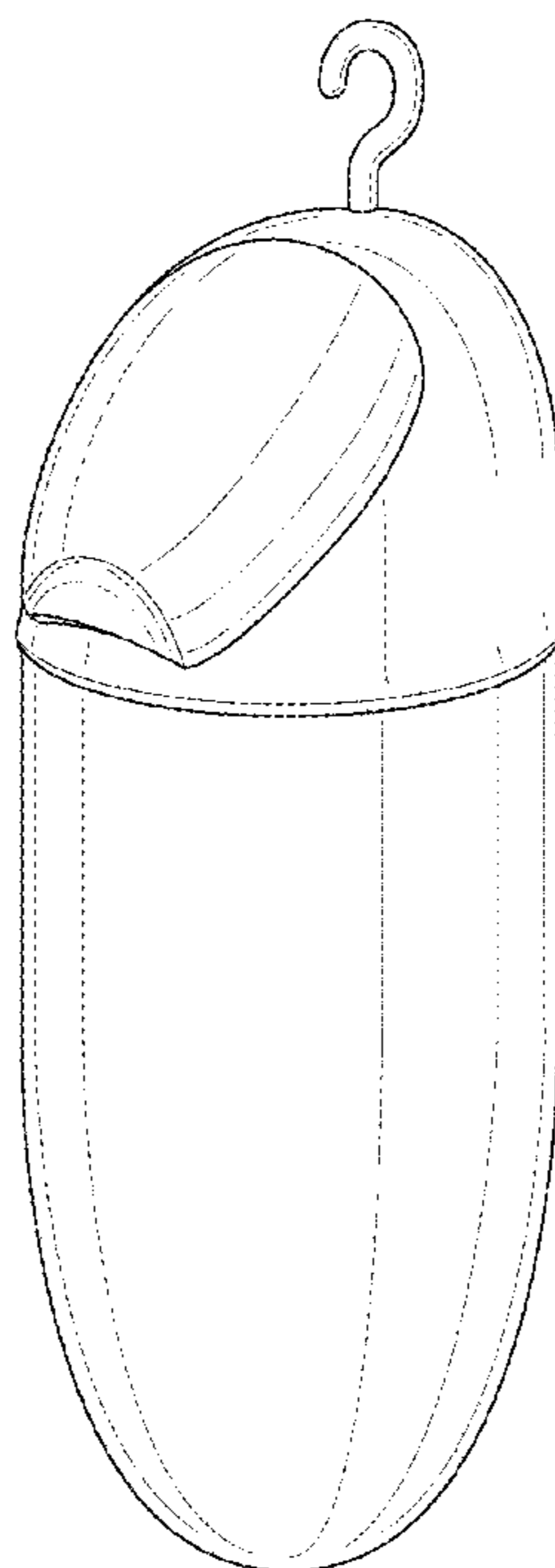
(57) **CLAIM**

The ornamental design for a hanging waste receptacle apparatus, as shown and described.

DESCRIPTION

FIG. 1 is a perspective view of a hanging waste receptacle apparatus showing my new design;
FIG. 2 is a front view of the hanging waste receptacle apparatus of FIG. 1;
FIG. 3 is a rear view of the hanging waste receptacle apparatus of FIG. 1;
FIG. 4 is a left side view of the hanging waste receptacle apparatus of FIG. 1;
FIG. 5 is a right side view of the hanging waste receptacle apparatus of FIG. 1;
FIG. 6 is a top plan view of the hanging waste receptacle apparatus of FIG. 1; and,
FIG. 7 is a bottom plan view of the hanging waste receptacle apparatus of FIG. 1.

1 Claim, 6 Drawing Sheets



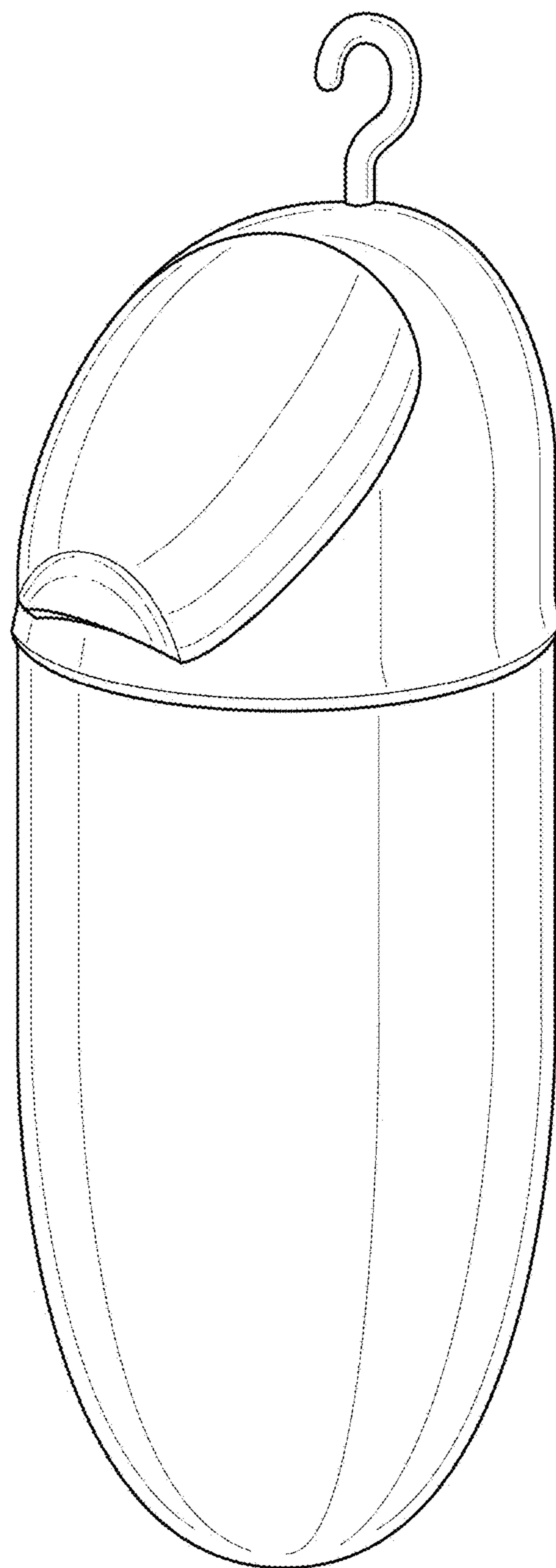


FIG. 1

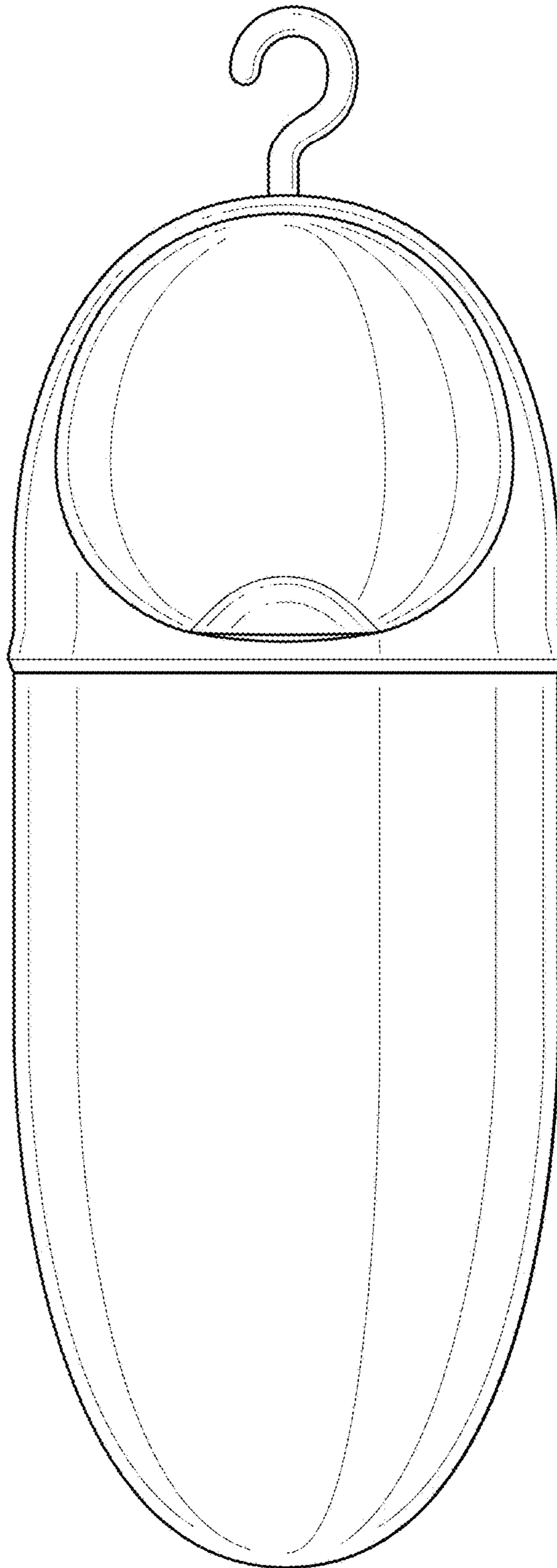


FIG. 2

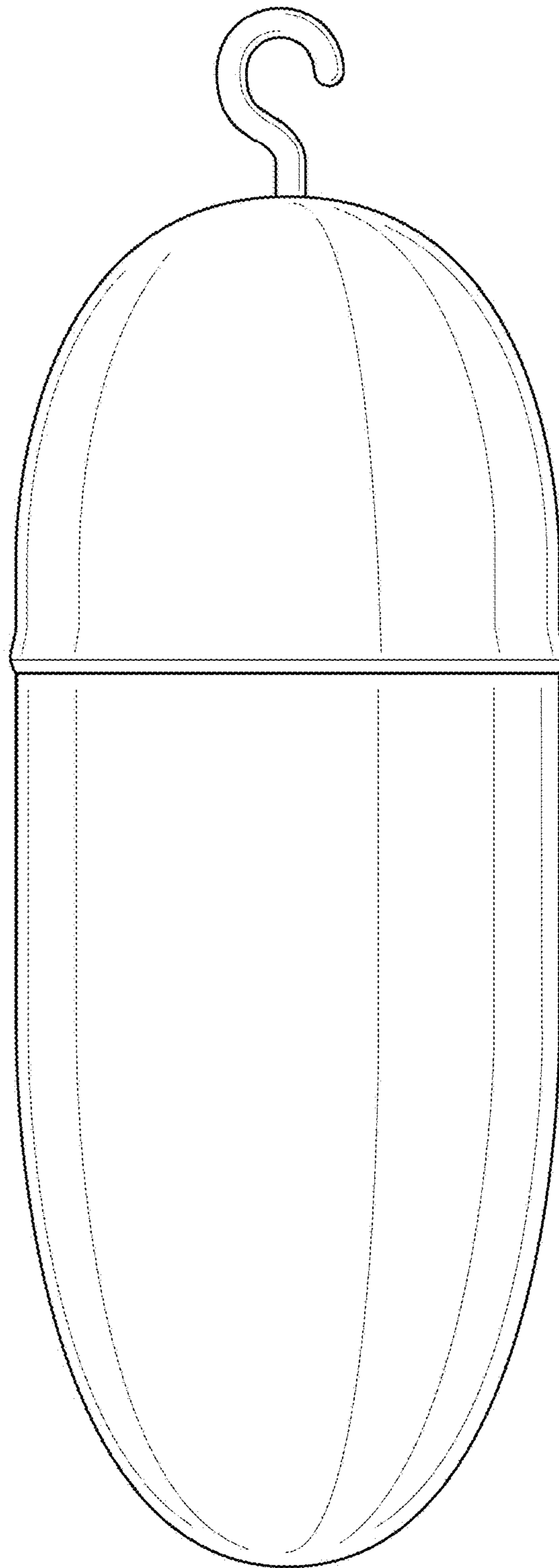


FIG. 3

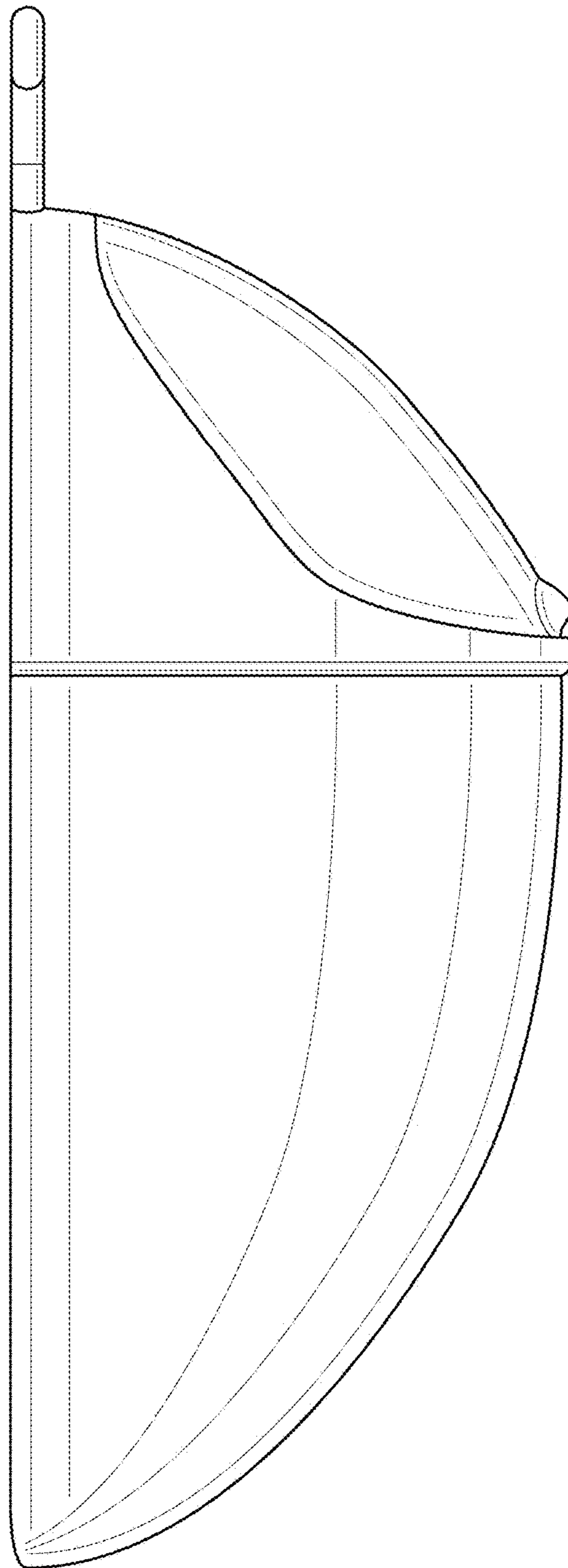


FIG. 4

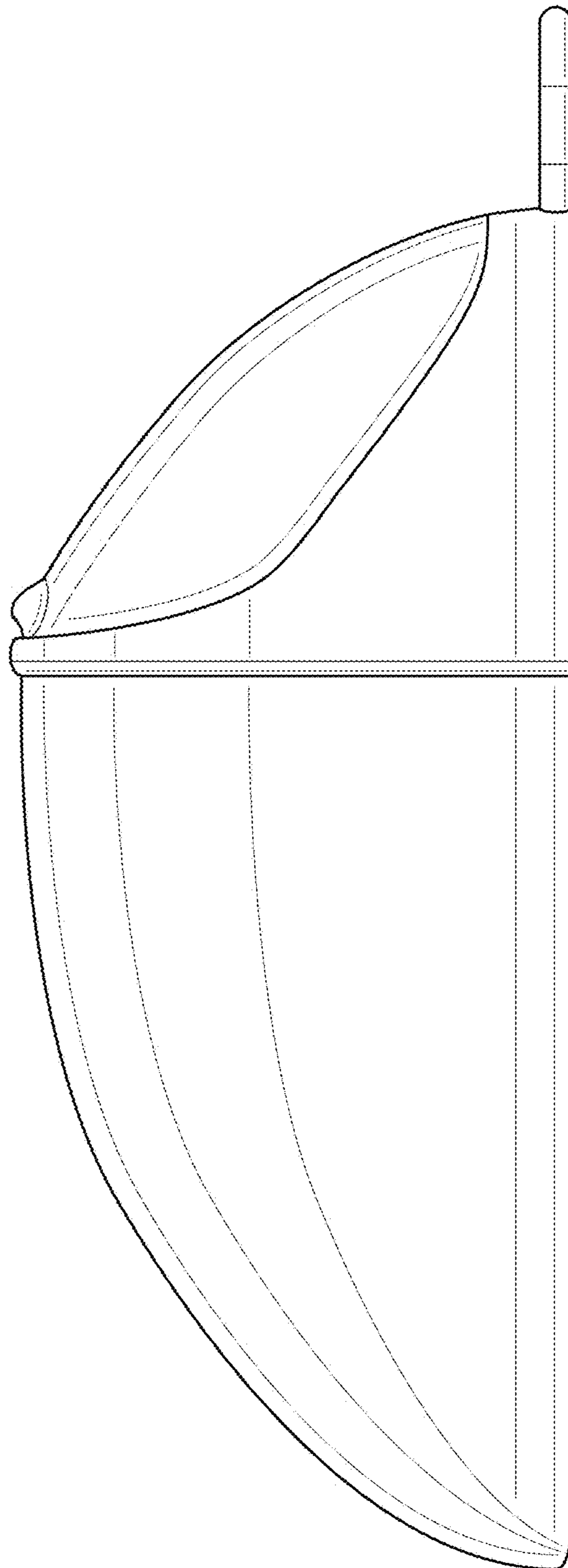


FIG. 5

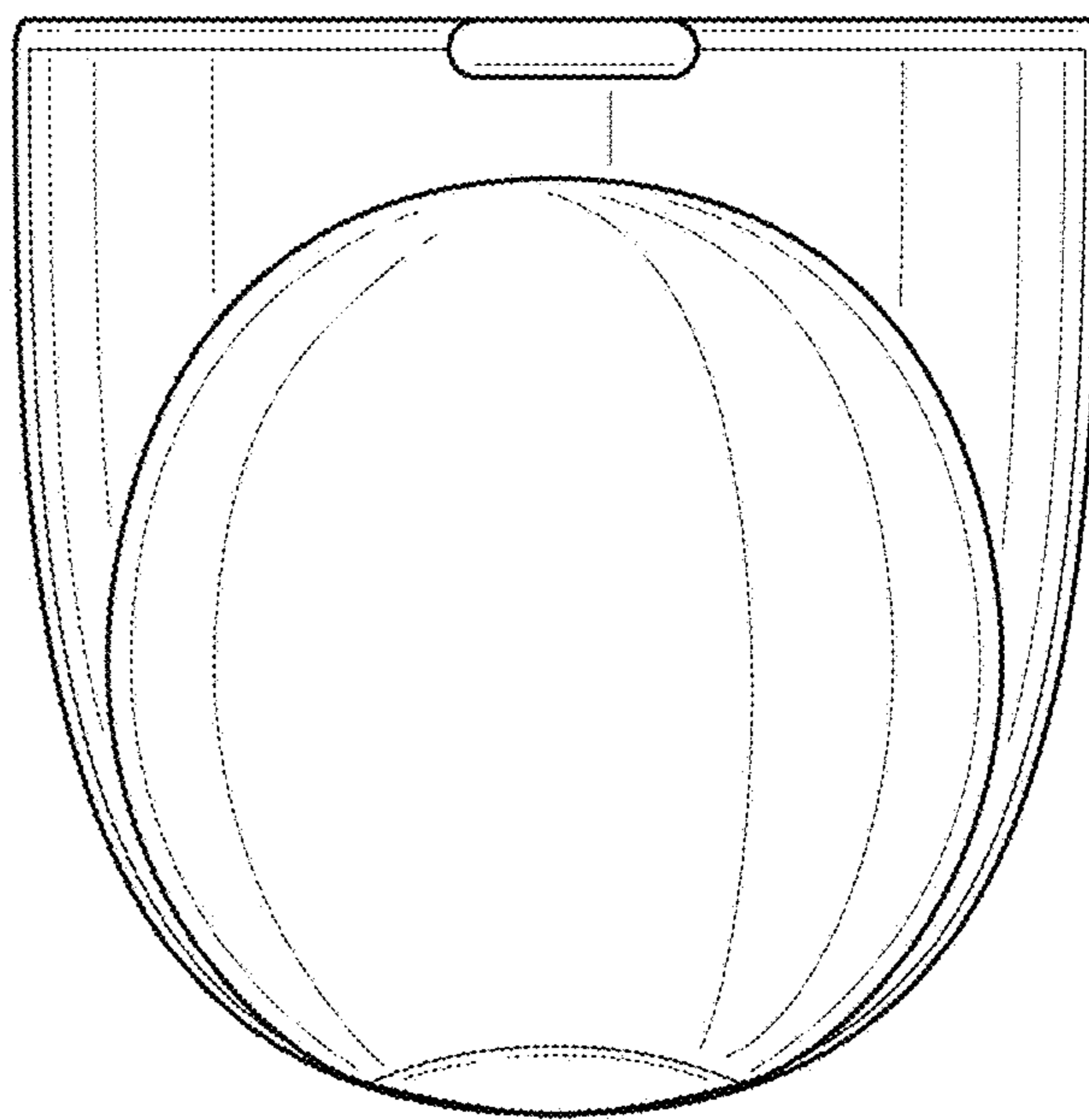


FIG. 6

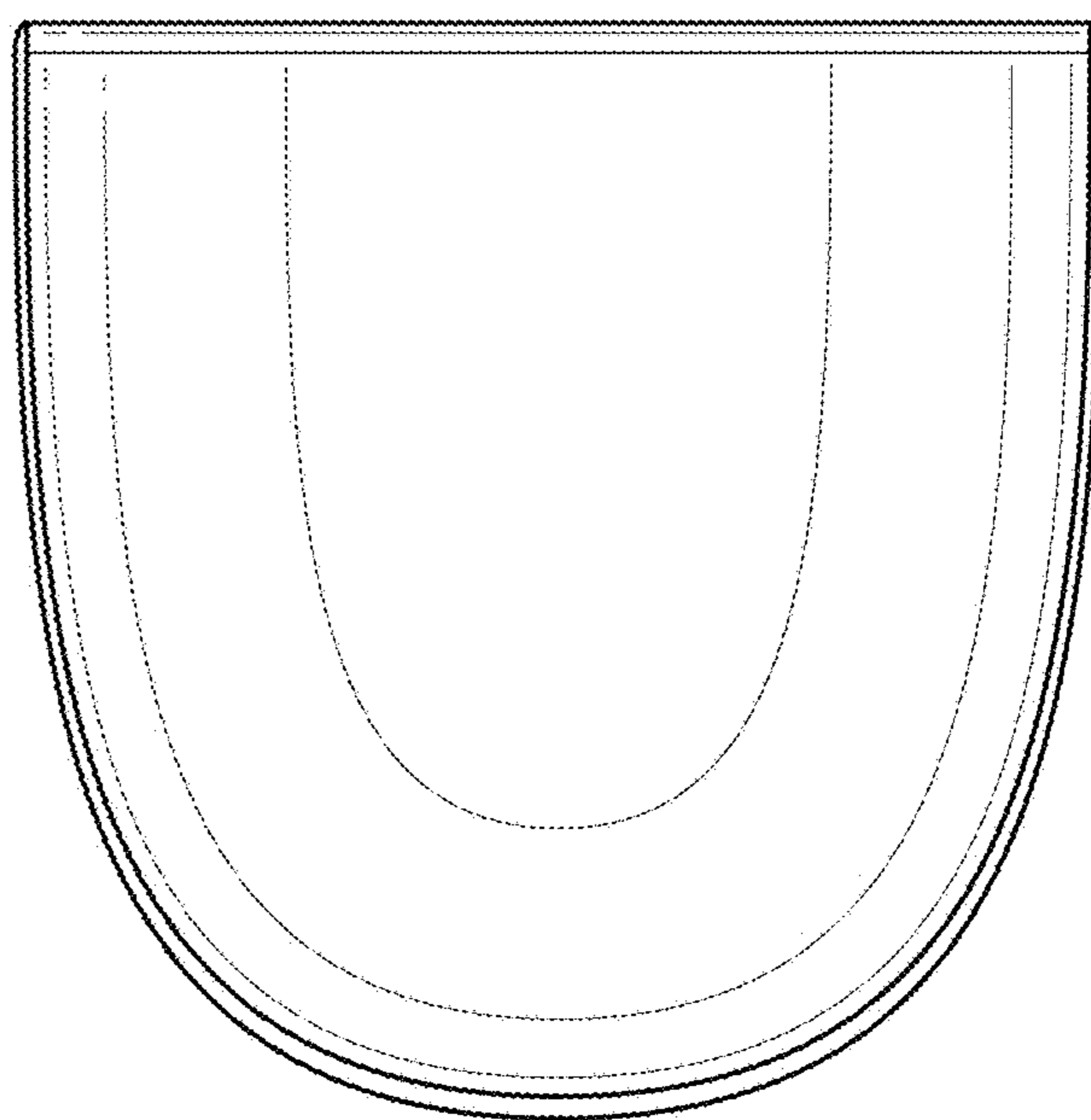


FIG. 7