



US00D787145S

(12) **United States Design Patent**  
**Yacov**

(10) **Patent No.:** **US D787,145 S**

(45) **Date of Patent:** **\*\* May 16, 2017**

(54) **SOCK HOLDER**

(71) Applicant: **Maayan Yacov**, Ariel (IL)

(72) Inventor: **Maayan Yacov**, Ariel (IL)

(\*\*) Term: **15 Years**

(21) Appl. No.: **29/533,895**

(22) Filed: **Jul. 23, 2015**

(51) **LOC (10) Cl.** ..... **07-05**

(52) **U.S. Cl.**

USPC ..... **D32/61**

(58) **Field of Classification Search**

USPC ..... D6/546, 515; D34/10; D32/35; D3/201;  
D2/869; 24/30.5 S, 16 PB; 220/495.11

CPC ..... A41B 11/002; D06F 95/008

See application file for complete search history.

(56) **References Cited**

**U.S. PATENT DOCUMENTS**

D231,310 S *	4/1974	Burgher	.....	D23/269
D288,254 S *	2/1987	Meade	.....	D32/58
4,644,610 A *	2/1987	Fish	.....	A01G 13/04 211/70.6
D294,758 S *	3/1988	Meade	.....	D32/58
D298,976 S *	12/1988	Moore, Jr.	.....	D32/61
D310,897 S *	9/1990	Bell	.....	D32/60

D319,903 S *	9/1991	Barner	.....	D32/61
5,381,588 A *	1/1995	Nelson	.....	B65D 73/0064 24/30.5 S
D371,455 S *	7/1996	Ronson	.....	D3/201
D445,980 S *	7/2001	Tjugum	.....	D32/61
D549,467 S *	8/2007	Holt	.....	D32/58
D580,616 S *	11/2008	Bizzell	.....	D34/10
D687,611 S *	8/2013	MacLean	.....	D32/61

\* cited by examiner

*Primary Examiner* — Austin Murphy

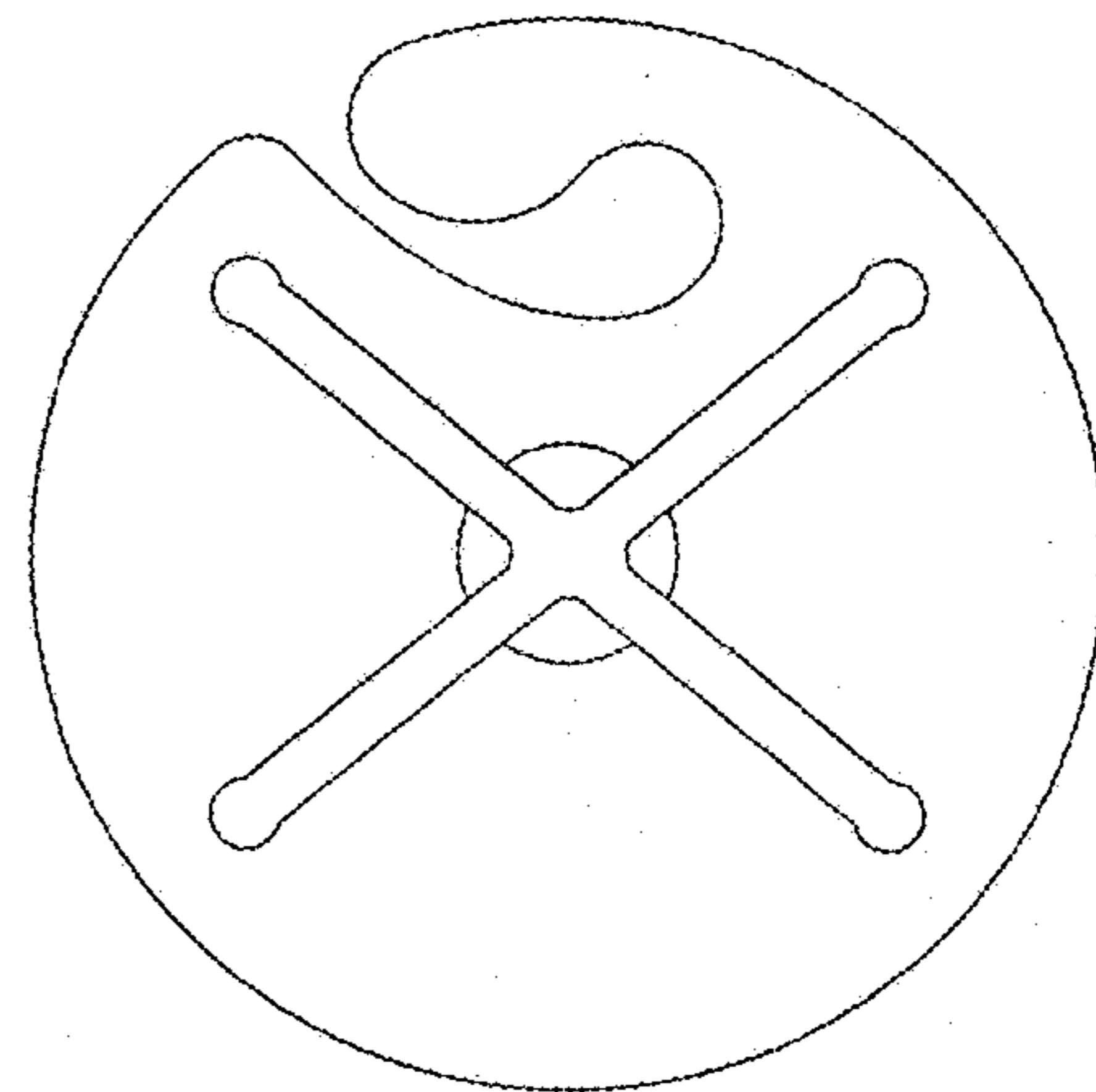
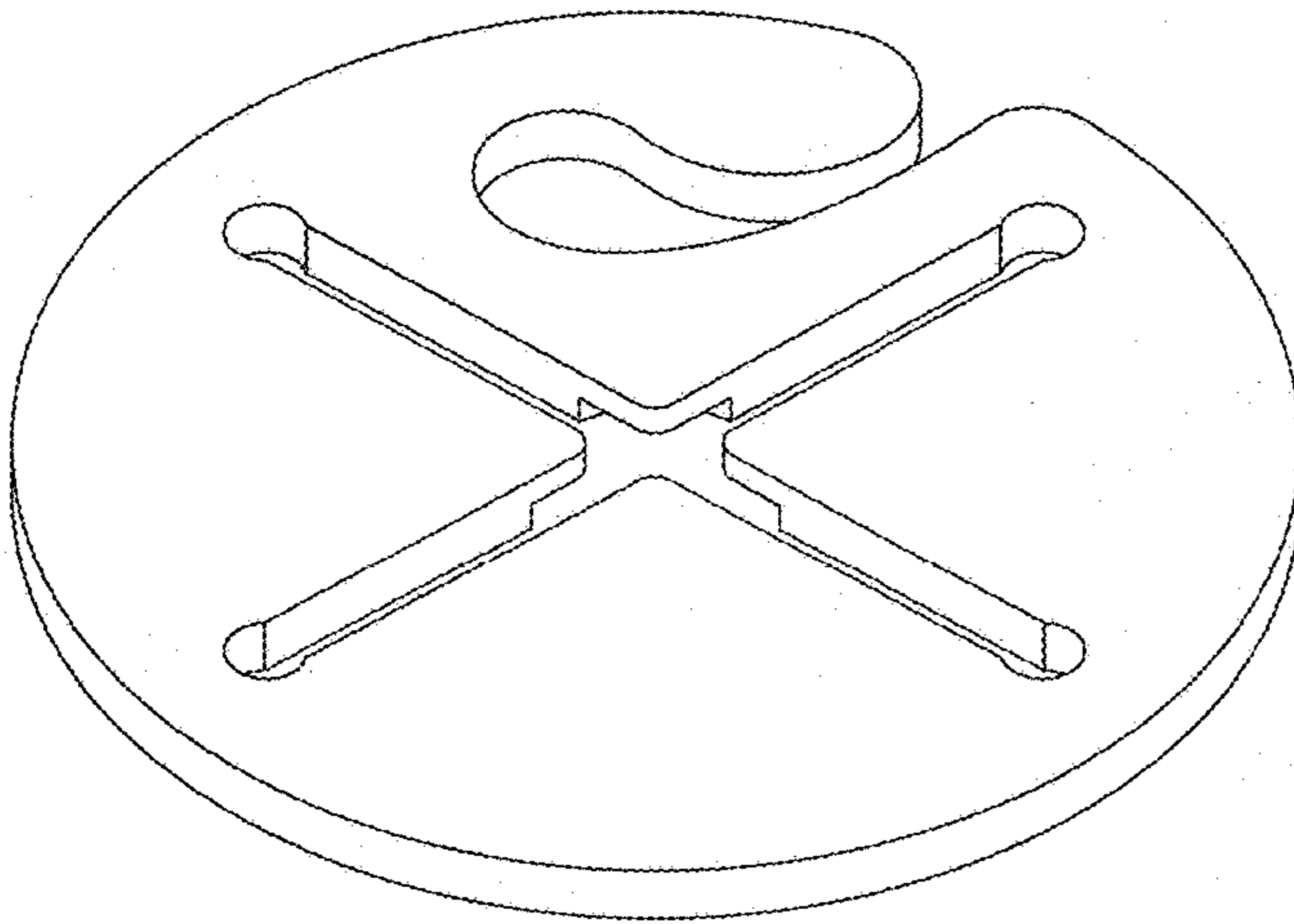
(57) **CLAIM**

I claim the ornamental design for a sock holder, as shown and described.

**DESCRIPTION**

FIG. 1 is a top perspective view of a sock holder showing my new design;  
 FIG. 2 is a bottom perspective view thereof;  
 FIG. 3 is a front elevational view and a right elevational view thereof;  
 FIG. 4 is a rear elevational view thereof;  
 FIG. 5 is a left side elevational view thereof;  
 FIG. 6 is a top elevational view thereof; and,  
 FIG. 7 is a bottom elevational view thereof.

**1 Claim, 3 Drawing Sheets**



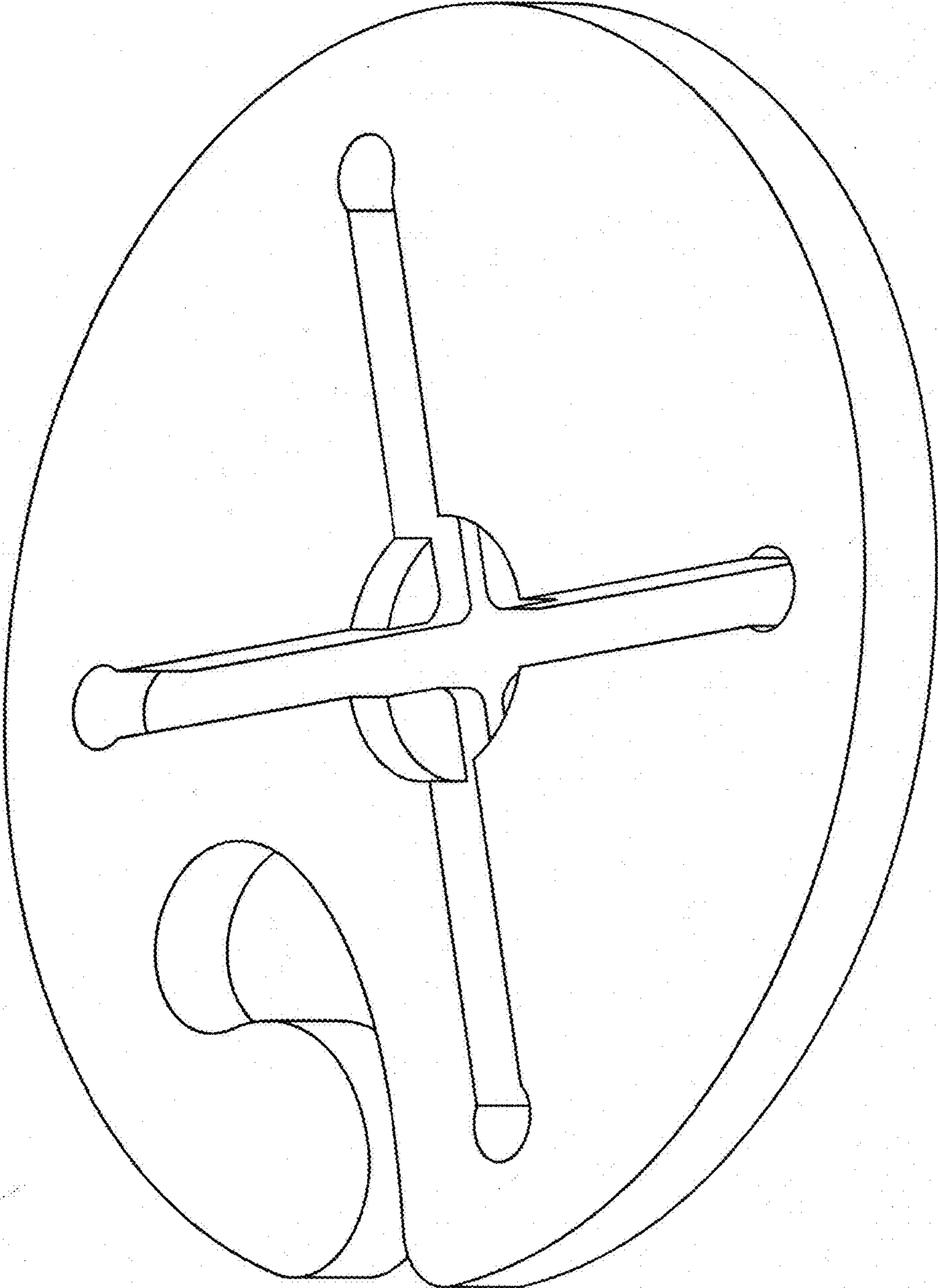


FIG. 1

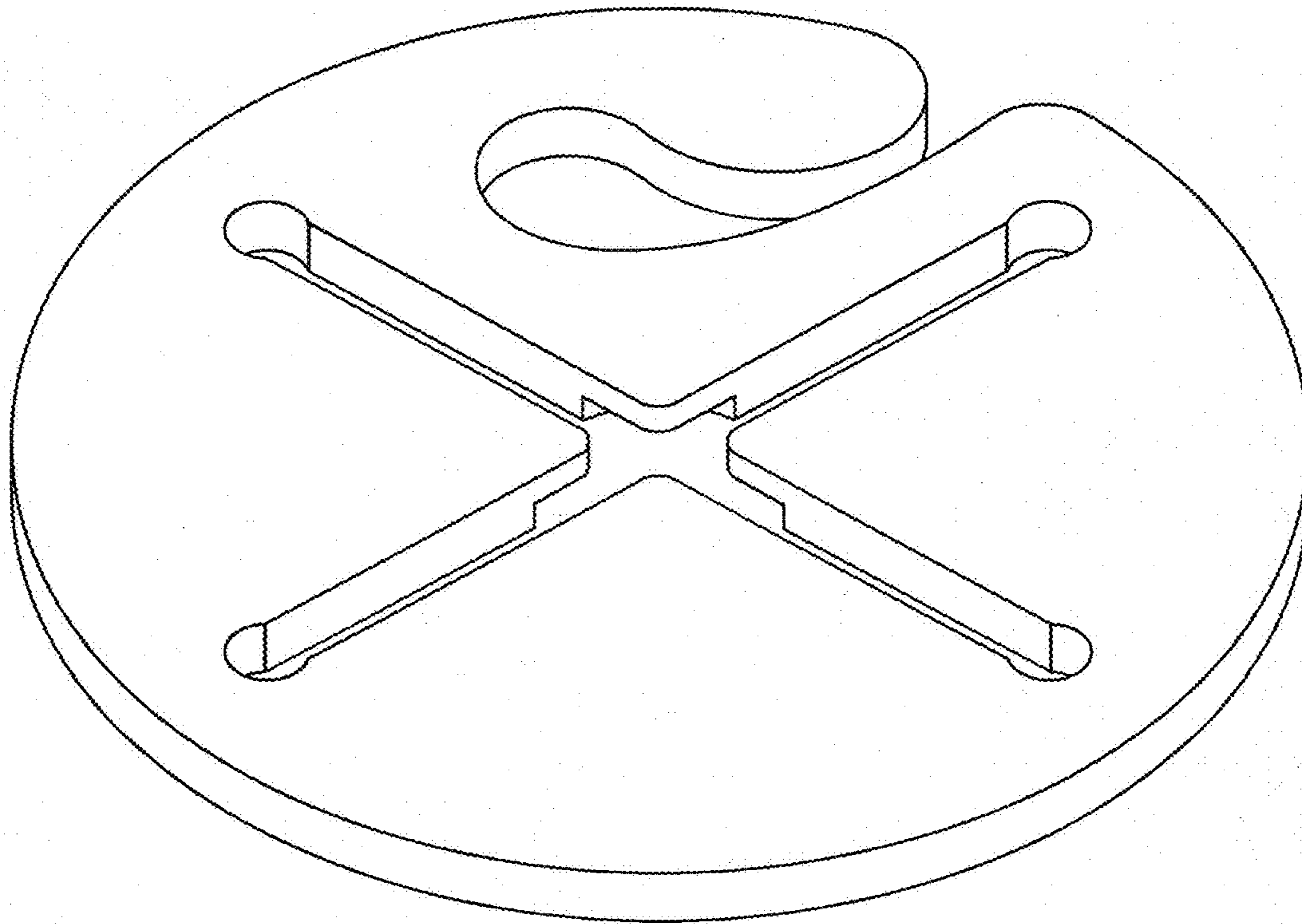


FIG. 2



FIG. 3



FIG. 4



FIG. 5

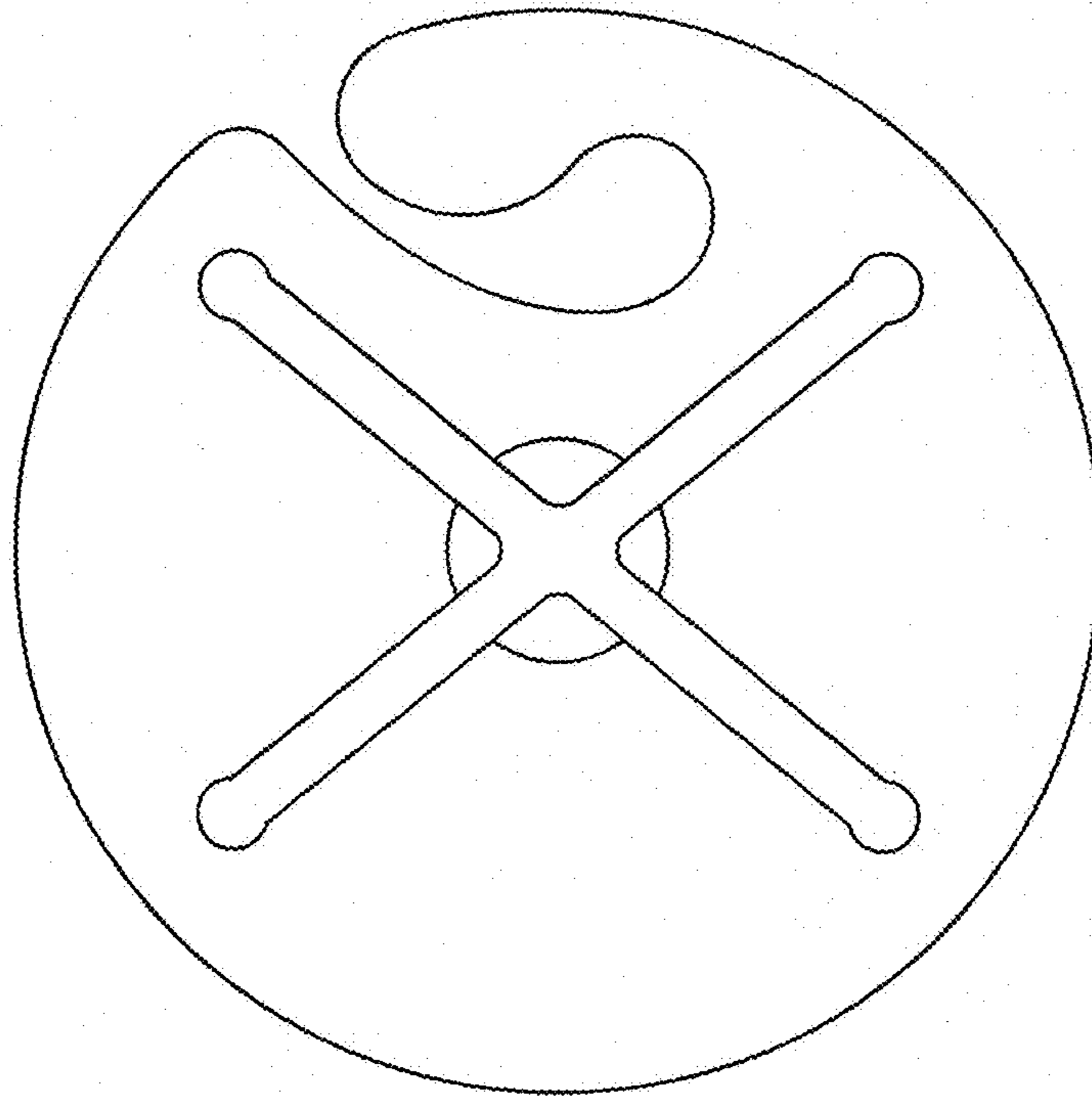


FIG. 6

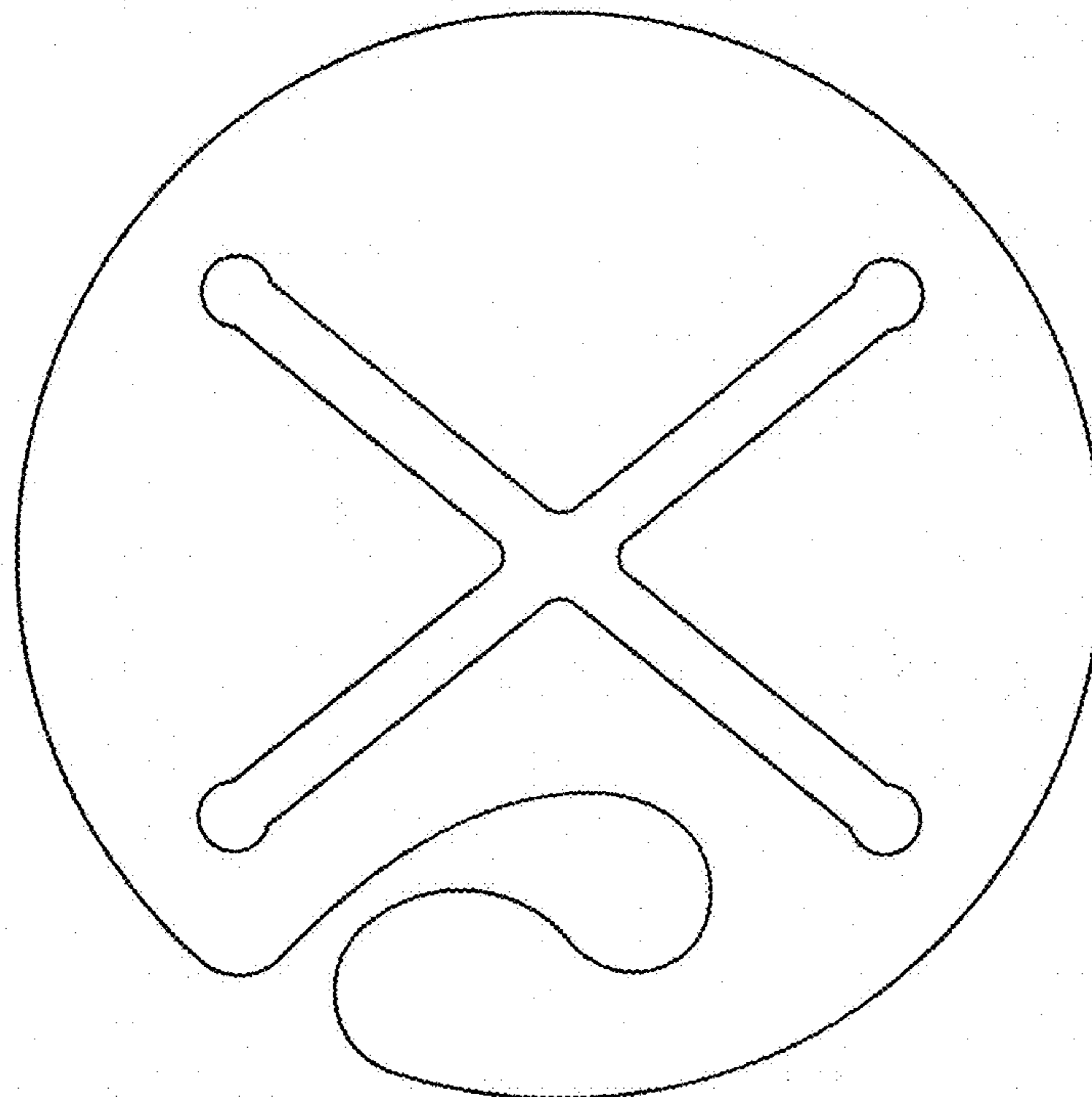


FIG. 7