



US00D787144S

(12) **United States Design Patent**  
**Thompson**

(10) **Patent No.:** **US D787,144 S**

(45) **Date of Patent:** **\*\* May 16, 2017**

(54) **CLEANING TOOL**

(71) Applicant: **3M INNOVATIVE PROPERTIES COMPANY**, St. Paul, MN (US)

(72) Inventor: **Craig D. Thompson**, Inver Grove Heights, MN (US)

(73) Assignee: **3M INNOVATIVE PROPERTIES COMPANY**, St. Paul, MN (US)

(\*\*) Term: **15 Years**

(21) Appl. No.: **29/547,495**

(22) Filed: **Dec. 4, 2015**

(51) **LOC (10) Cl.** ..... **04-01**

(52) **U.S. Cl.**  
USPC ..... **D32/41**

(58) **Field of Classification Search**  
USPC ..... D8/45, 61-62; D32/21, 40-42, 33, 46, D32/48; D4/116, 118-119, 127-129  
CPC . A46B 15/0055; A46B 15/0002; A47L 13/06; A47L 1/16; A47J 43/288; B44D 3/168  
See application file for complete search history.

(56) **References Cited**

**U.S. PATENT DOCUMENTS**

2,103,198	A	*	12/1937	Siemund	.....	A47L 1/06
						15/245
2,440,099	A	*	4/1948	Kind	.....	A47L 1/06
						15/146
D152,375	S	*	1/1949	Seley	.....	D32/41
D318,157	S	*	7/1991	Perior	.....	D32/41
D360,505	S	*	7/1995	Goodman	.....	D32/41
D422,765	S	*	4/2000	Viola	.....	D32/35
D464,182	S	*	10/2002	Vosbikian	.....	D32/41
D469,230	S	*	1/2003	Libman	.....	D32/41
D487,830	S	*	3/2004	Snell	.....	D32/41
D515,262	S	*	2/2006	Hay	.....	D32/41
D564,161	S	*	3/2008	Talesfore	.....	D32/41
D586,877	S	*	2/2009	Li	.....	D32/41
D592,370	S	*	5/2009	van Deursen	.....	D32/46
D627,532	S	*	11/2010	Yang	.....	D32/41

D652,595	S	*	1/2012	Pottes	.....	D32/41
D685,550	S		7/2013	Tronconi et al.		
D704,911	S	*	5/2014	Albo	.....	D32/41
D709,757	S	*	7/2014	Yang	.....	D8/395

(Continued)

**FOREIGN PATENT DOCUMENTS**

CN			3423967	*	2/2005
CN			301525809	*	4/2011

**OTHER PUBLICATIONS**

Amazon.com: Bathroom Shower Squeegee, review date Dec. 22, 2016, [https://www.amazon.com/Bathroom-Shower-Squeegee-Acrylic-Cleaner/dp/B01HGSZ9J0/ref=sr\\_1\\_154\\_s\\_it?s=hpc&ie=UTF8&qid=1482536155&sr=1-154](https://www.amazon.com/Bathroom-Shower-Squeegee-Acrylic-Cleaner/dp/B01HGSZ9J0/ref=sr_1_154_s_it?s=hpc&ie=UTF8&qid=1482536155&sr=1-154), site visited Dec. 23, 2016.\*

(Continued)

*Primary Examiner* — John Windmuller

*Assistant Examiner* — John R Yeh

(74) *Attorney, Agent, or Firm* — Irina Hass

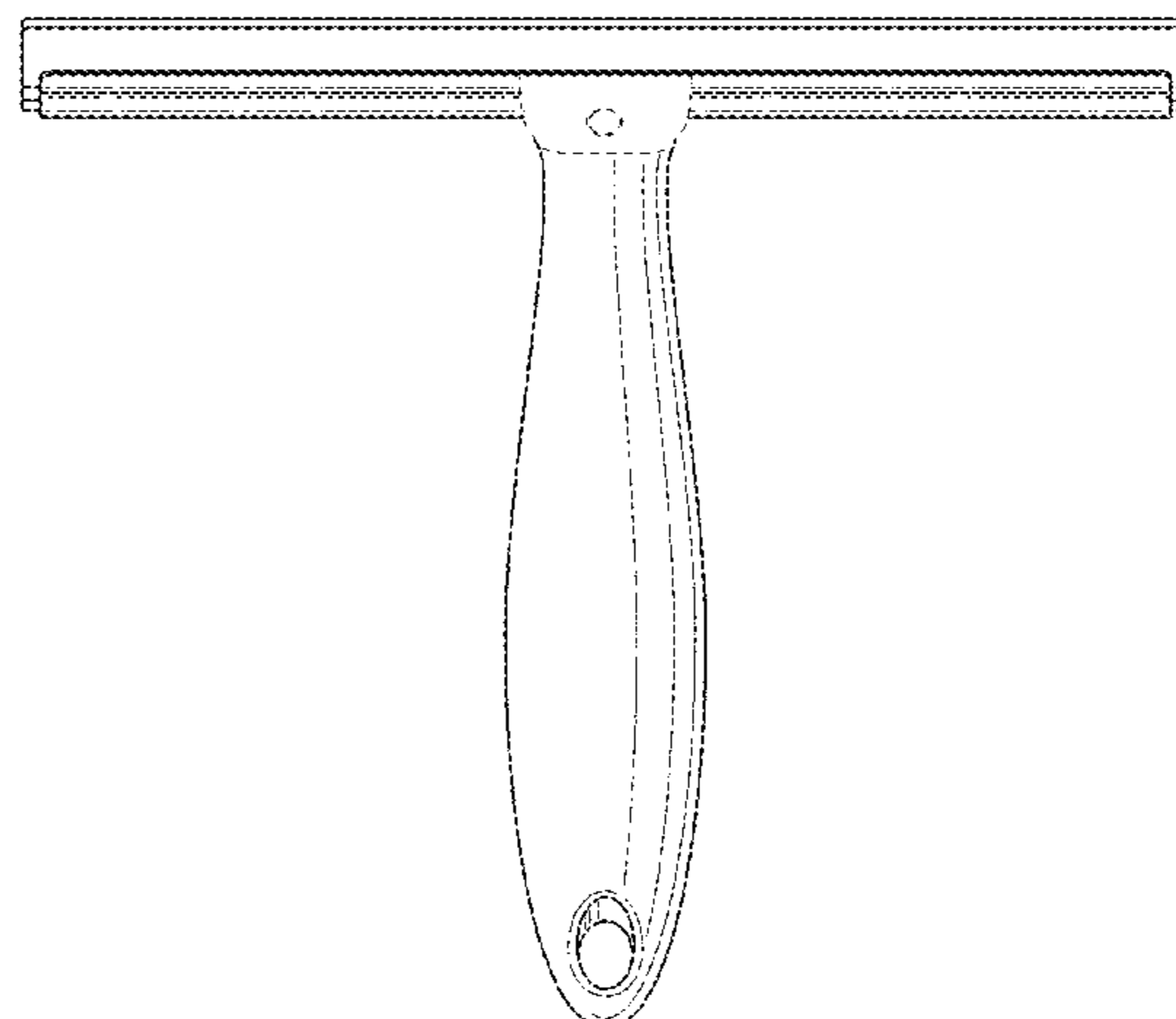
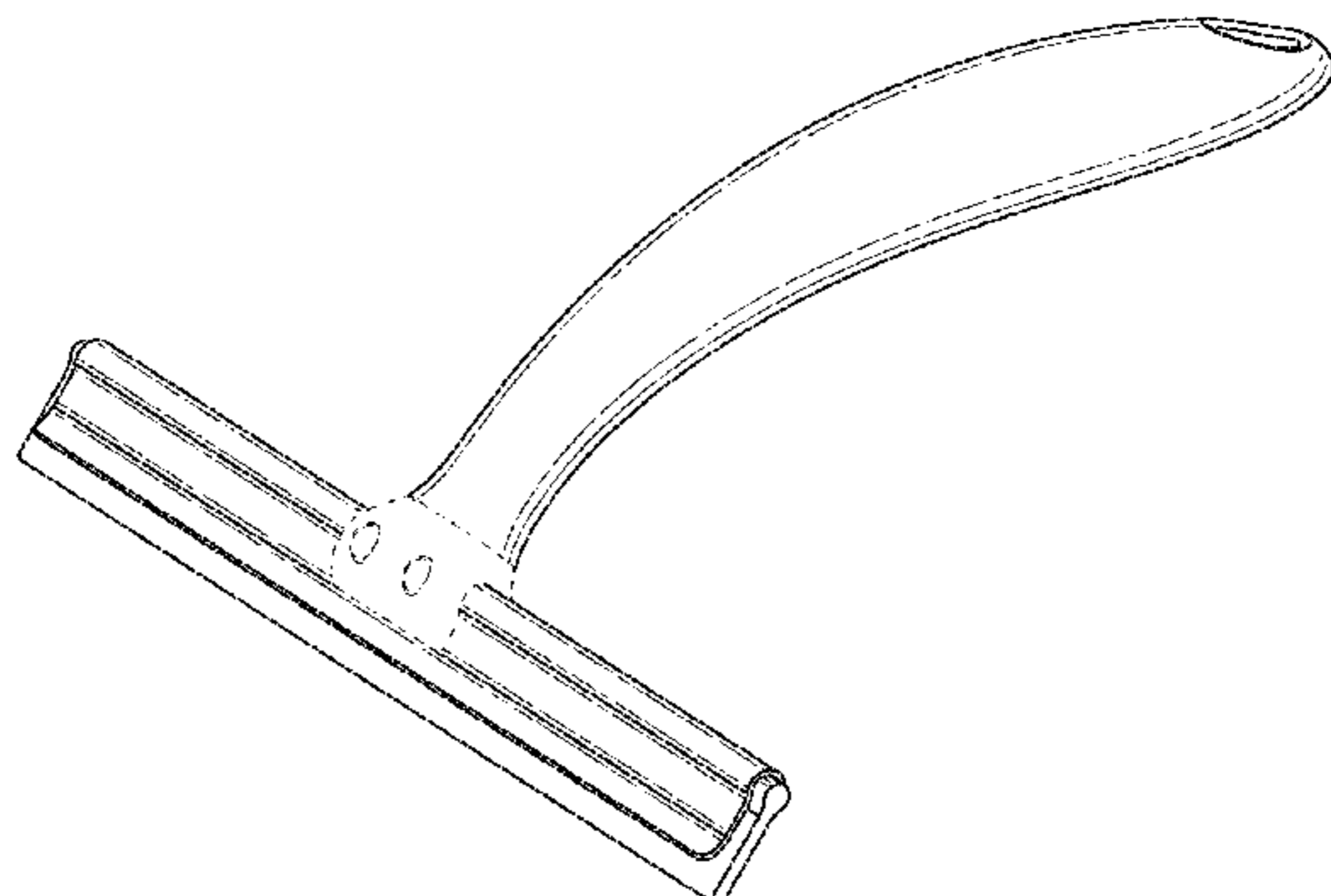
(57) **CLAIM**

The ornamental design for a cleaning tool, as shown and described.

**DESCRIPTION**

FIG. 1 is a perspective view showing a new design for a cleaning tool;  
FIG. 2 is a front view thereof;  
FIG. 3 is a rear view thereof;  
FIG. 4 is a right side view thereof, a left side view being a mirror image thereof;  
FIG. 5 is a top view thereof; and,  
FIG. 6 is a bottom view thereof.  
The portions of the cleaning tool in FIGS. 1-6 shown in broken lines are included to show features that form no part of the claimed design.

**1 Claim, 3 Drawing Sheets**



(56)

**References Cited**

U.S. PATENT DOCUMENTS

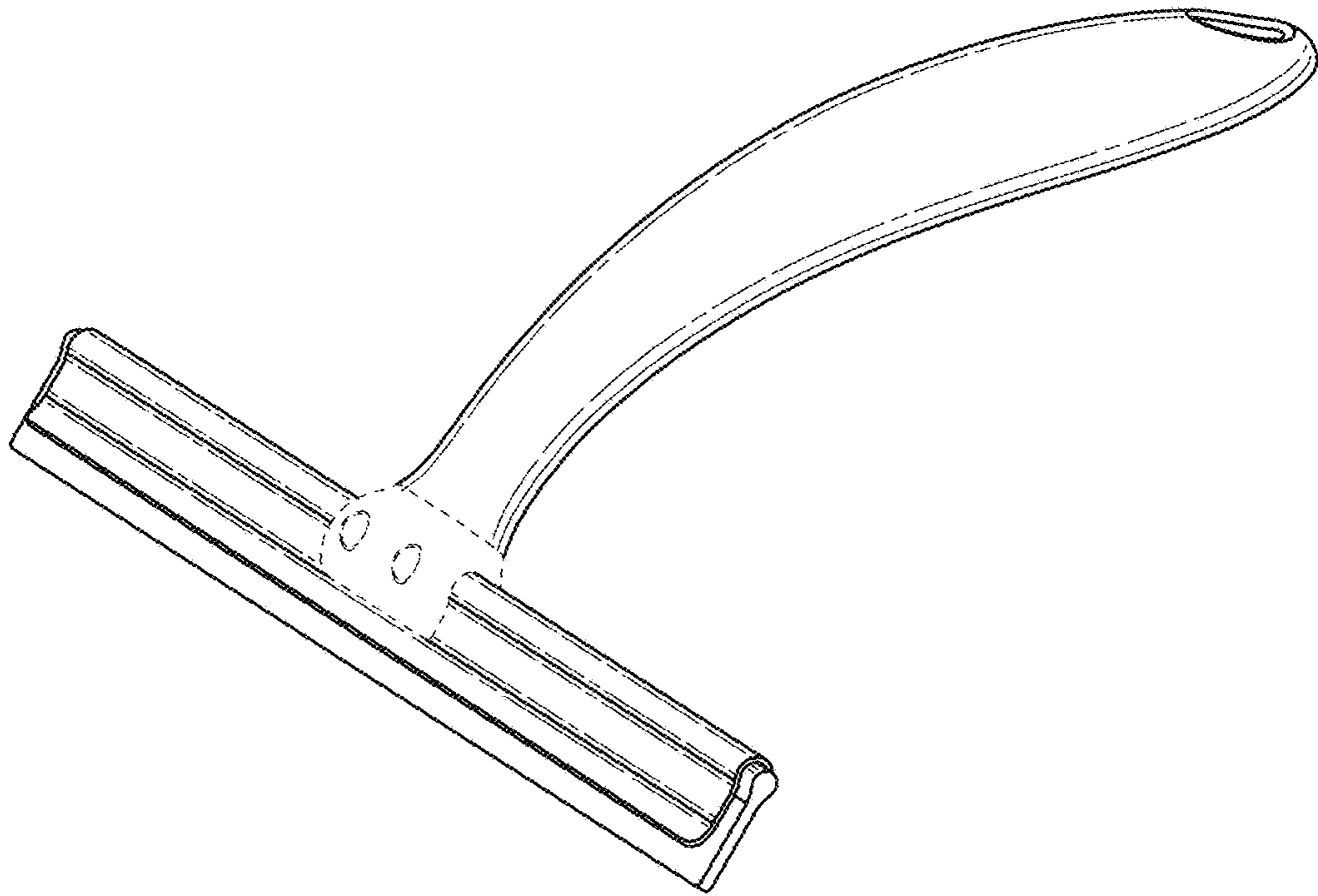
D723,756 S \* 3/2015 Goodman ..... D32/41  
D773,141 S \* 11/2016 Chitayat ..... D32/41  
2007/0031810 A1\* 2/2007 Hoch ..... B43K 8/003  
434/408

OTHER PUBLICATIONS

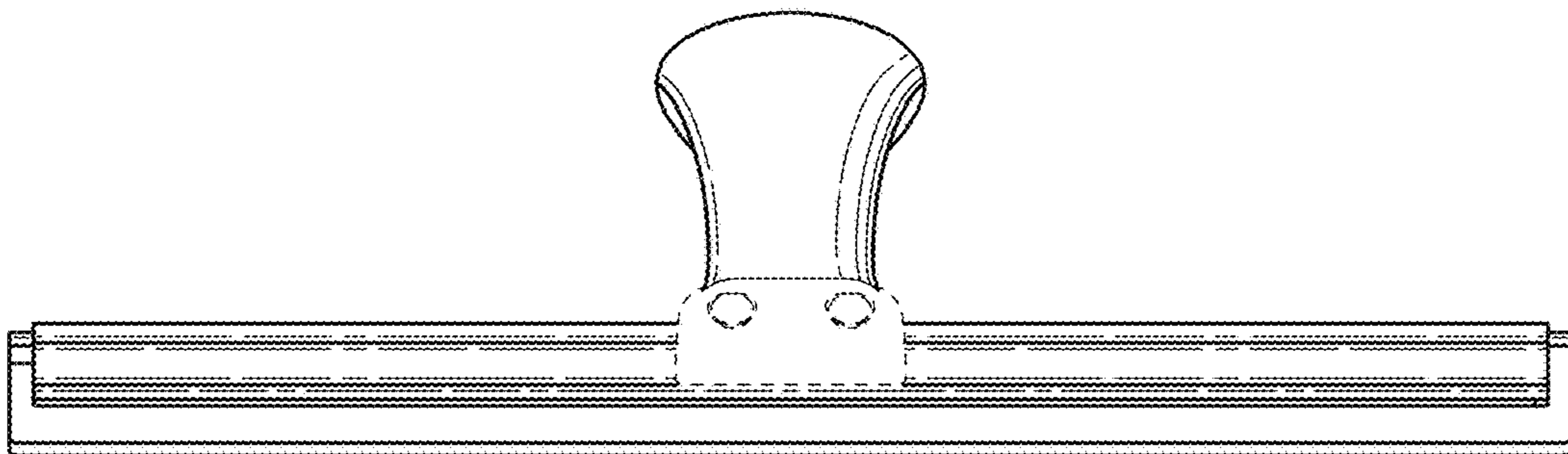
Amazon.com—OXO Good Grips Stainless Steel Squeegee, review date Jan. 19, 2011, [site visited Dec. 23, 2016 6:31:47 PM], [https://www.amazon.com/...f\\_rd\\_s=merchandisedsearch3&pf\\_rd\\_r=SWS8312TZNTN9R8MKS8W8&pf\\_rd\\_t=101&pf\\_rd\\_p=19fc5feb-b320-5827-8173-a9e3f16d7aa8&pf\\_rd\\_i=2245500011.\\*](https://www.amazon.com/...f_rd_s=merchandisedsearch3&pf_rd_r=SWS8312TZNTN9R8MKS8W8&pf_rd_t=101&pf_rd_p=19fc5feb-b320-5827-8173-a9e3f16d7aa8&pf_rd_i=2245500011.*)

Ettore Rubber Window Squeegee at Lowes.com, review date Sep. 20, 2013, <https://www.lowes.com/pd/Ettore-Rubber-Window-Squeegee/3435248>, [site visited Dec. 23, 2016 6:28:46 PM].\*

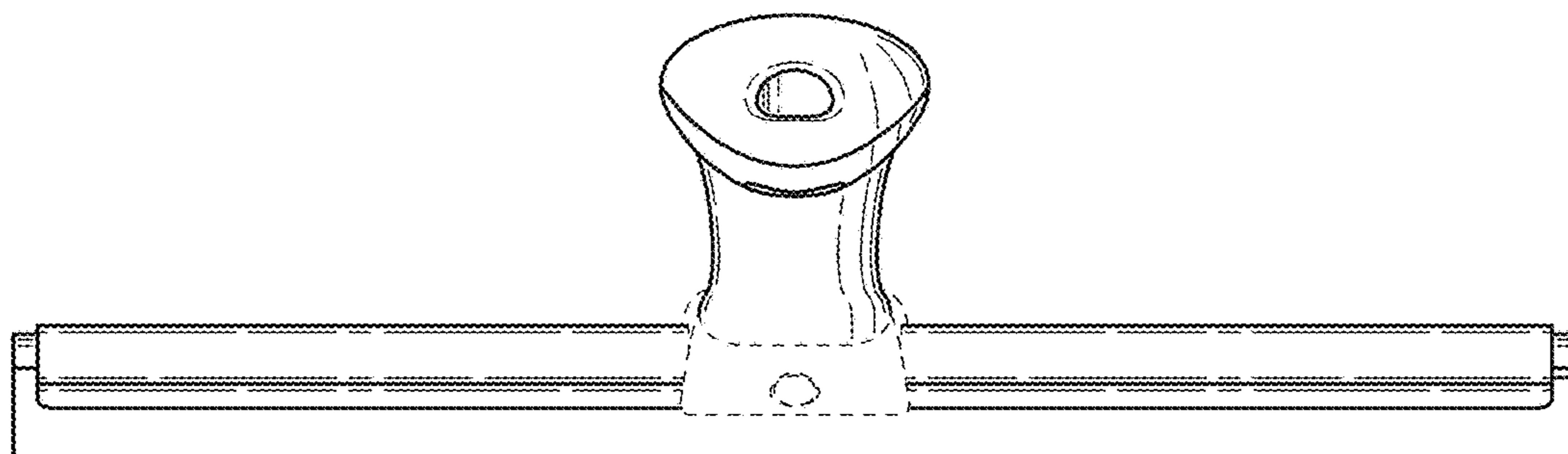
\* cited by examiner



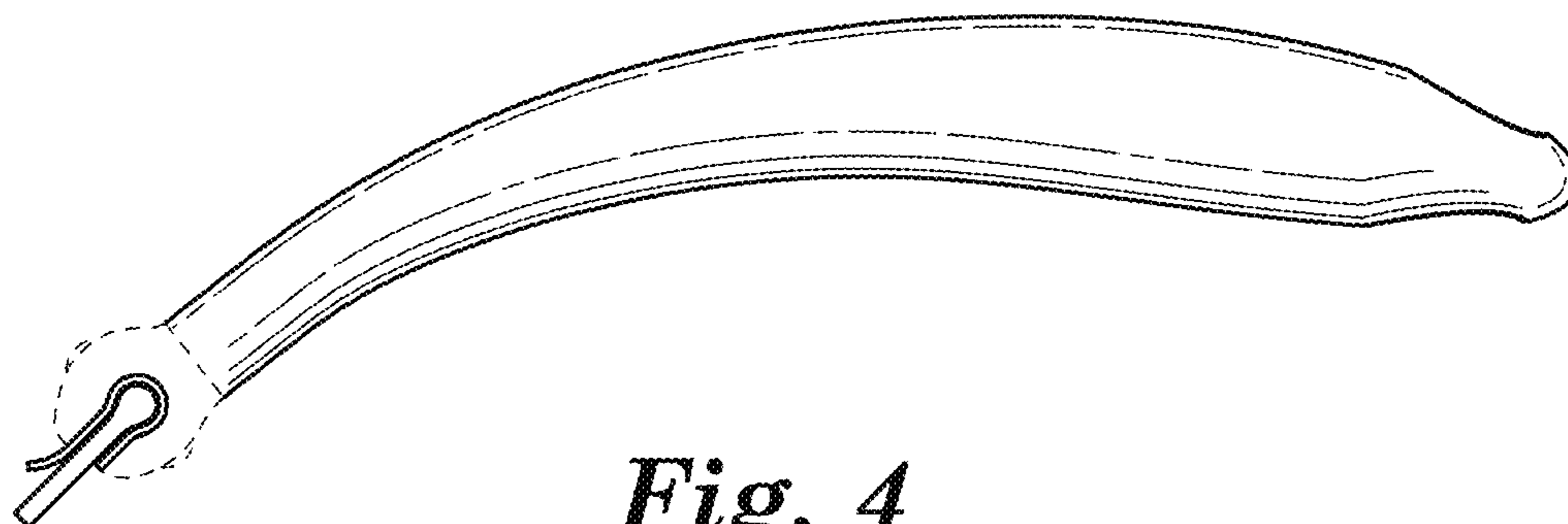
*Fig. 1*



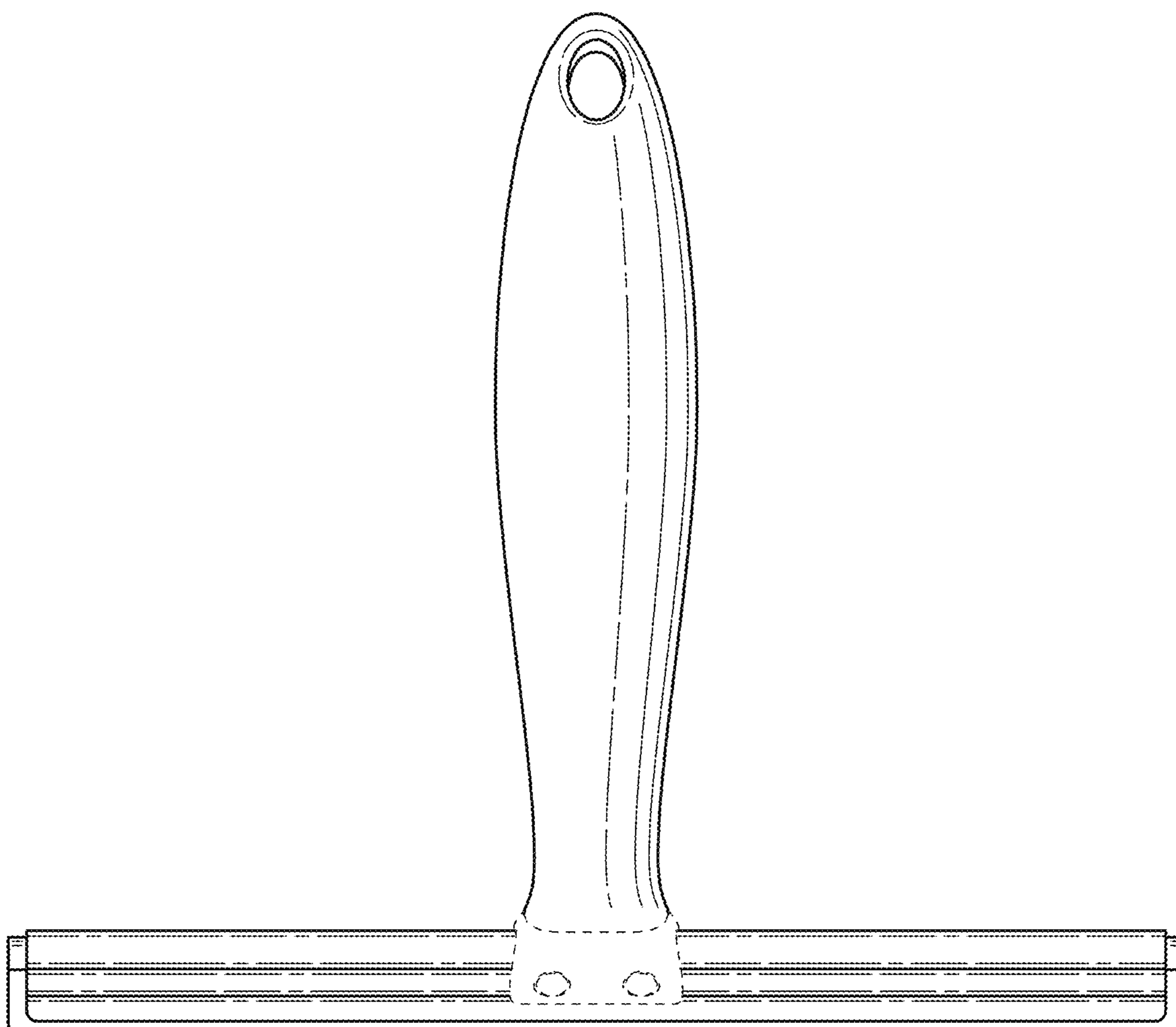
*Fig. 2*



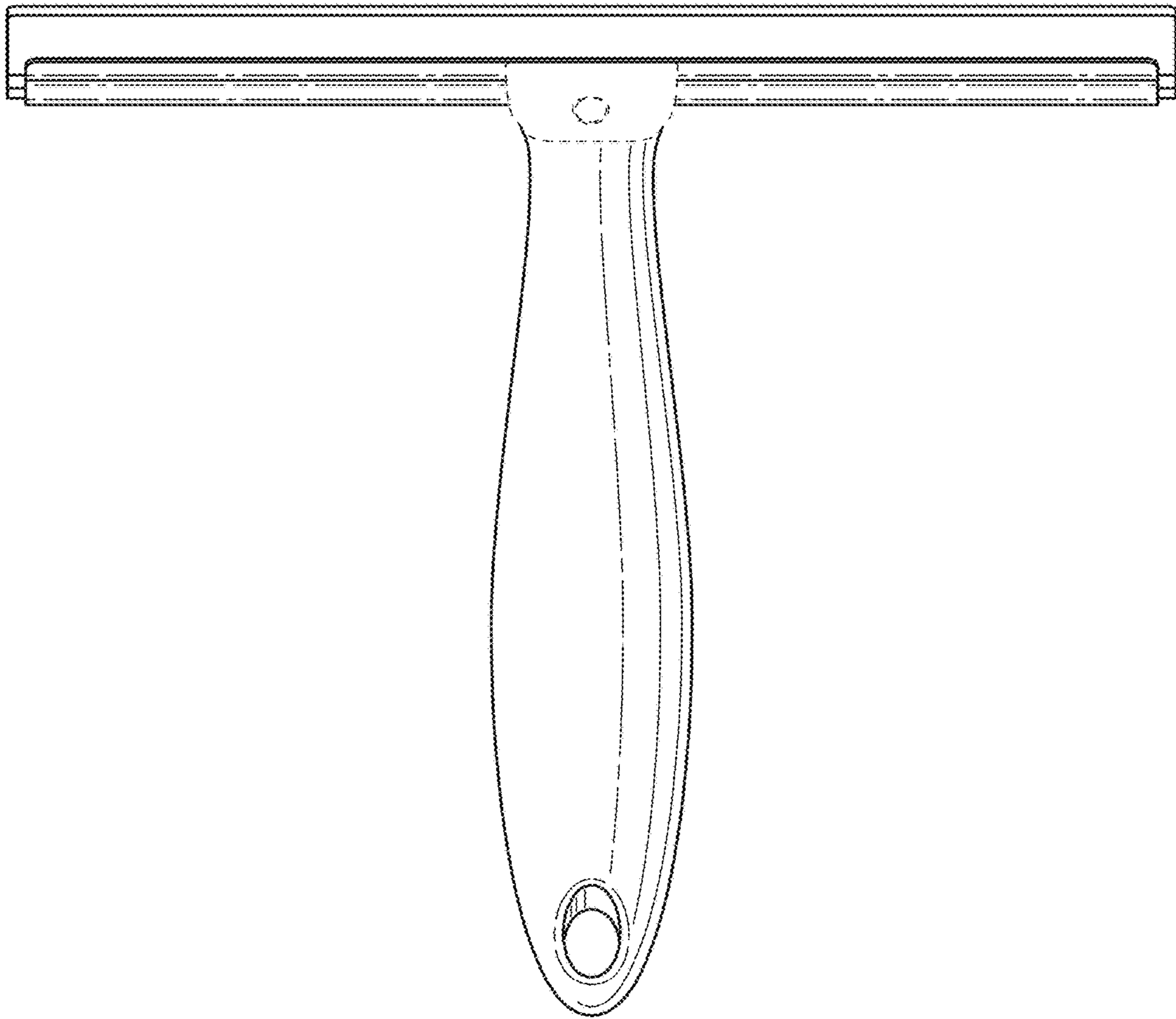
*Fig. 3*



*Fig. 4*



*Fig. 5*



*Fig. 6*