



US00D787143S

(12) **United States Design Patent**  
**Ishibashi**

(10) **Patent No.:** **US D787,143 S**

(45) **Date of Patent:** **\*\* May 16, 2017**

(54) **SPONGE FOR SUBSTRATE CLEANING**

(71) Applicant: **Ebara Corporation**, Tokyo (JP)

(72) Inventor: **Tomoatsu Ishibashi**, Tokyo (JP)

(73) Assignee: **EBARA CORPORATION**, Tokyo (JP)

(\*\*) Term: **15 Years**

(21) Appl. No.: **29/562,157**

(22) Filed: **Apr. 22, 2016**

(30) **Foreign Application Priority Data**

Oct. 28, 2015 (JP) ..... 2015-023966

(51) **LOC (10) Cl.** ..... **04-01**

(52) **U.S. Cl.**  
USPC ..... **D32/40**

(58) **Field of Classification Search**  
USPC ..... D32/40-49; 15/229.1; D21/203;  
D9/499, 780, 772, 767, 775, 435, 453;  
D8/70, 62

CPC ..... A47L 13/16; B24B 1/00; B24B 41/06  
See application file for complete search history.

(56) **References Cited**

**U.S. PATENT DOCUMENTS**

- 782,278 A \* 2/1905 Russ ..... B24B 41/06  
451/226
- 1,223,219 A \* 4/1917 Tichborne ..... B24B 41/06  
279/2.22
- D52,793 S \* 12/1918 Hoffman ..... D9/772
- 1,374,612 A \* 4/1921 Standish ..... B67B 7/18  
81/3.56
- 1,432,670 A \* 10/1922 Cole ..... B67B 7/20  
81/3.55
- 1,835,392 A \* 12/1931 Hardies ..... E21B 31/107  
175/296
- 1,858,342 A \* 5/1932 Rollman ..... B65D 41/0485  
215/302
- 1,861,552 A \* 6/1932 Savery ..... B65D 41/02  
215/233

(Continued)

**FOREIGN PATENT DOCUMENTS**

JP 2000-173966 A 6/2000  
KR 300743303.0000 \* 5/2014

**OTHER PUBLICATIONS**

Amazon.com: Quickie Soap Dispensing Dishwasher Refills, review Jan. 9, 2013, [https://www.amazon.com/Quickie-Dispensing-Dishwasher-Refills-136MB/dp/B0012YL5SO/ref=sr\\_1\\_288?ie=UTF8&qid=1488499893&sr=8-288&keywords=soap+sponge](https://www.amazon.com/Quickie-Dispensing-Dishwasher-Refills-136MB/dp/B0012YL5SO/ref=sr_1_288?ie=UTF8&qid=1488499893&sr=8-288&keywords=soap+sponge), [site visited Mar. 2, 2017 7:15:58 PM].\*

(Continued)

*Primary Examiner* — John Windmuller

*Assistant Examiner* — John R Yeh

(74) *Attorney, Agent, or Firm* — Pearne & Gordon LLP

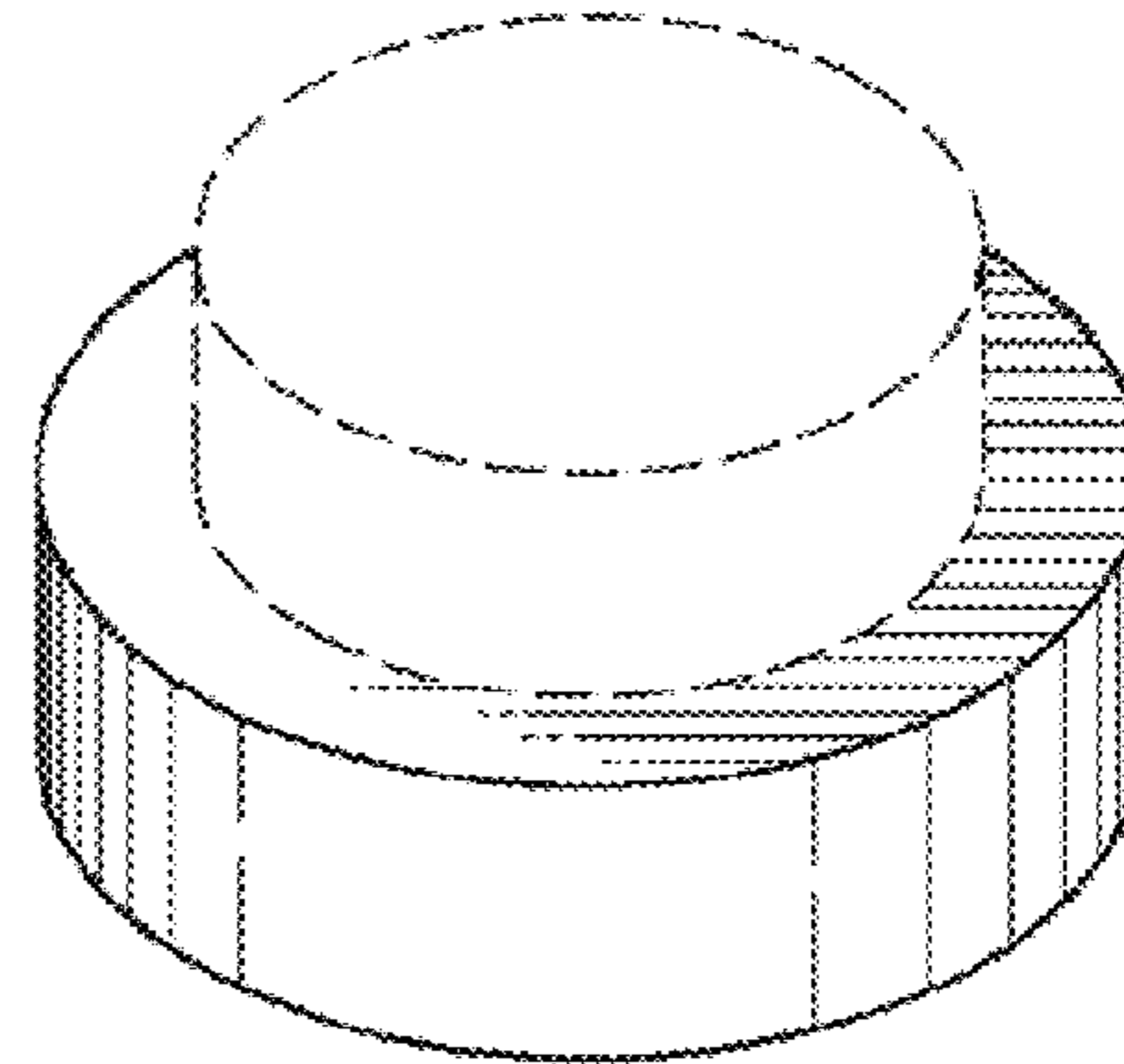
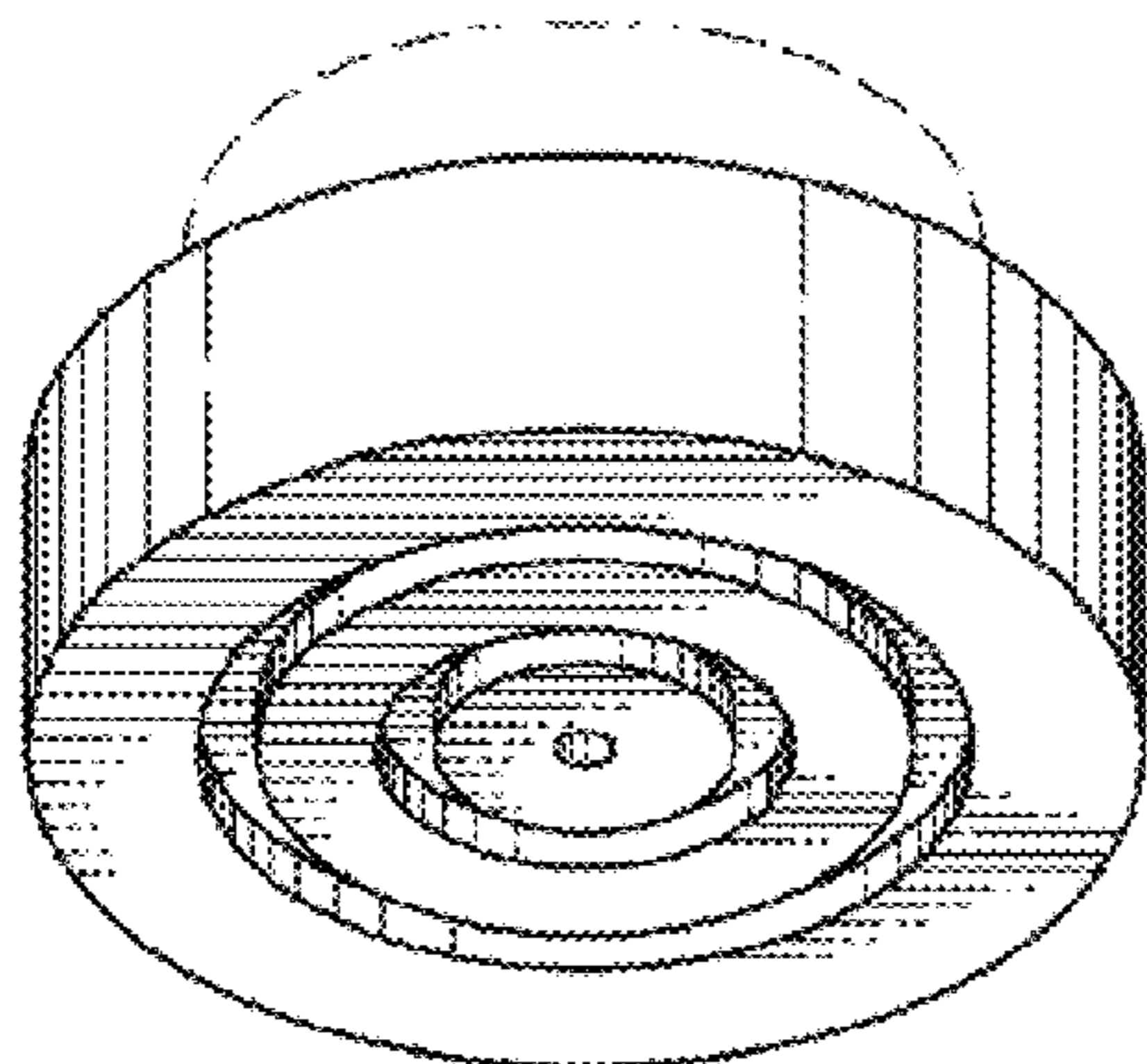
(57) **CLAIM**

The ornamental design for a sponge for substrate cleaning, as shown and described.

**DESCRIPTION**

FIG. 1 is a bottom perspective view of a sponge for substrate cleaning showing my new design;  
FIG. 2 is a top-right perspective view observed from a bottom thereof;  
FIG. 3 is a front view thereof, rear, left-side and right-side views being identical thereto;  
FIG. 4 is a top view thereof;  
FIG. 5 is a bottom view thereof; and,  
FIG. 6 is an enlarged, rotated cross-sectional view thereof taken along section line 6-6 in FIG. 4.  
The cross-hatching pattern shown in FIG. 6 does not represent a particular material.  
The broken lines depict environmental subject matter only and form no part of the claimed design.

**1 Claim, 1 Drawing Sheet**



(56)

**References Cited**

## U.S. PATENT DOCUMENTS

2,077,260 A \* 4/1937 Polisso ..... B67B 3/18  
72/126  
2,425,966 A \* 8/1947 Tjomsland ..... A63B 67/14  
473/588  
3,075,222 A \* 1/1963 Miller ..... A47L 11/164  
15/209.1  
3,135,003 A \* 6/1964 Wise ..... A47L 15/0068  
15/211  
D223,945 S \* 6/1972 Bousquet ..... 15/28  
D260,408 S \* 8/1981 Ruffing ..... D21/731  
D267,783 S \* 2/1983 Lang ..... D7/624.1  
D289,143 S \* 4/1987 Guillaume ..... D9/445  
D315,236 S \* 3/1991 Kraselsky ..... D32/40  
D422,792 S \* 4/2000 Liu ..... D32/42  
D456,257 S \* 4/2002 Bakic ..... D9/435  
D498,116 S \* 11/2004 Papanastasiou ..... D7/362  
D653,127 S \* 1/2012 Cronin ..... D27/172  
D694,081 S \* 11/2013 Wright ..... D8/70  
D765,328 S \* 8/2016 Brown ..... D32/40  
2003/0109203 A1 \* 6/2003 Bootle ..... B24B 1/00  
451/41  
2015/0336234 A1 \* 11/2015 Kimura ..... B24B 37/26  
438/692

## OTHER PUBLICATIONS

Metal honeycomb substrate—Persistence Heating Applied Co.,Ltd,  
website 2016, [site visited Mar. 2, 2017 9:59:46 PM], <http://www.alloypersistence.com/products/show/?78-5-Metal-honeycomb-substrate.html>.\*

Variety of PVA Sponge Roller—Specilize in Industry Cleaning  
Process, website 2014, <http://www.dstec.com.my/variety-of-pva-sponge-roller/>, [site visited Mar. 2, 2017 9:56:18 PM].\*

\* cited by examiner

FIG. 2

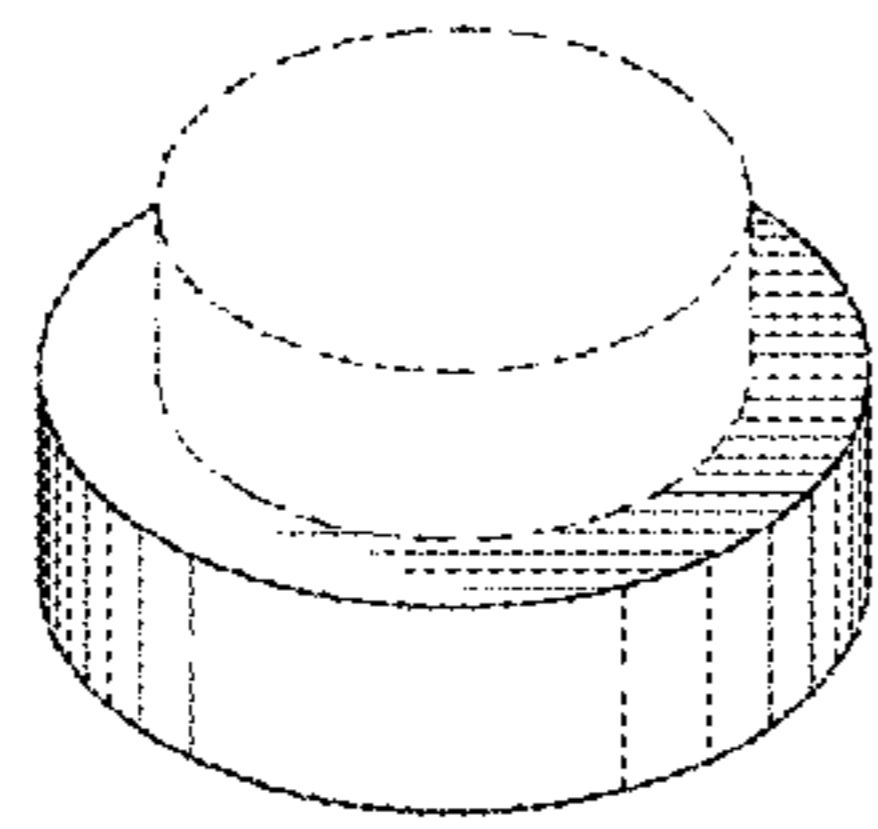


FIG. 1

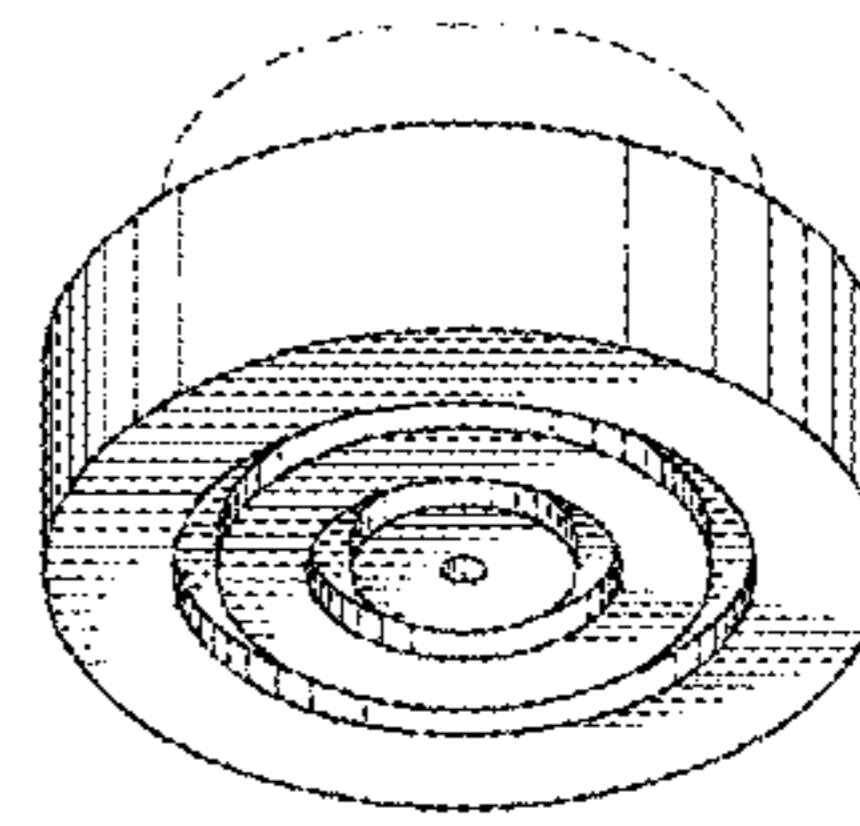


FIG. 3

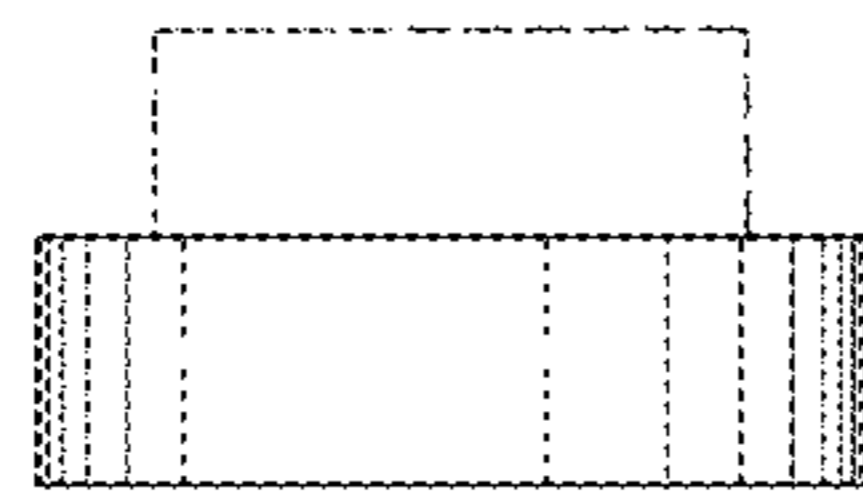


FIG. 4

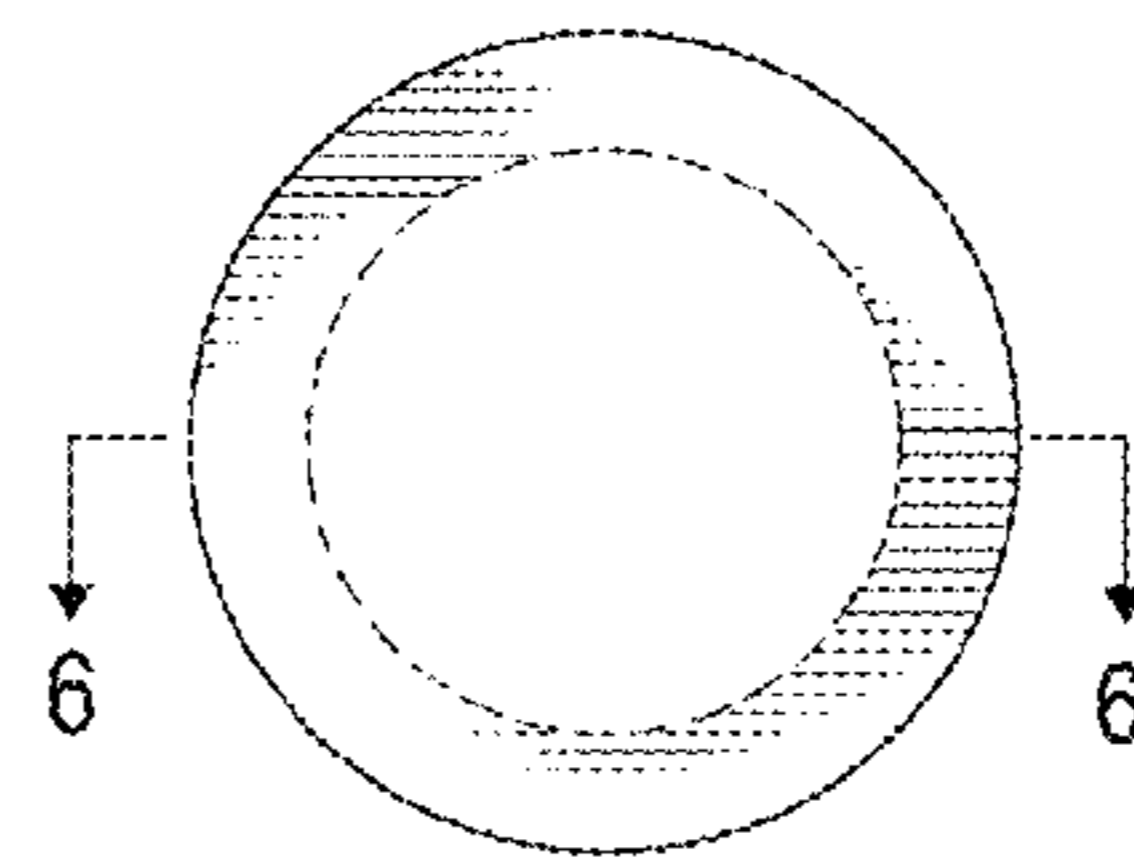


FIG. 6

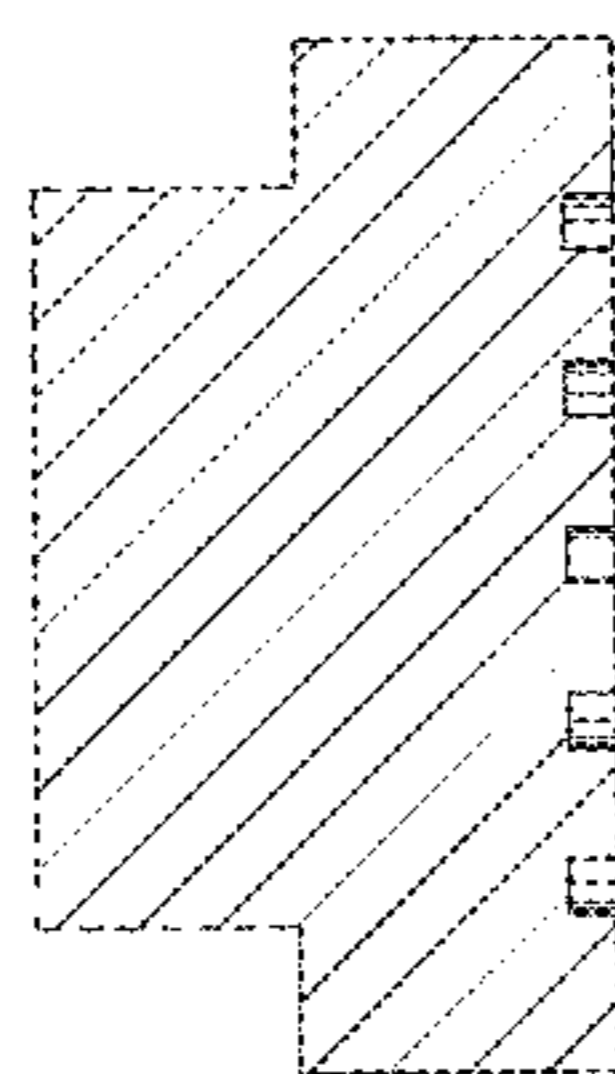


FIG. 5

