



US00D787142S

(12) **United States Design Patent** (10) **Patent No.:** **US D787,142 S**
Buckley et al. (45) **Date of Patent:** **** May 16, 2017**

(54) **WINDOW CLEANING DEVICE**

- (71) Applicant: **Unger Marketing International, LLC**, Bridgeport, CT (US)
- (72) Inventors: **James M. Buckley**, New Hartford, CT (US); **Robert F. Smith**, Waterbury, CT (US)
- (73) Assignee: **UNGER MARKETING INTERNATIONAL, LLC**, Bridgeport, CT (US)
- (**) Term: **15 Years**

- (21) Appl. No.: **29/545,880**
- (22) Filed: **Nov. 17, 2015**
- (51) **LOC (10) Cl.** **04-01**
- (52) **U.S. Cl.**
USPC **D32/40**
- (58) **Field of Classification Search**
USPC D32/40, 49-53, 71-72
CPC A47L 13/12; A47L 13/16; A47L 13/20;
A47L 13/24; A47L 13/144; A47L 13/146;
A47L 13/10; B24D 13/045
See application file for complete search history.

(56) **References Cited**

U.S. PATENT DOCUMENTS

559,023	A	4/1896	Barron
1,628,783	A	5/1927	Jenson et al.
2,112,462	A	3/1938	Hawrylasz
2,123,638	A	7/1938	Steccone
2,261,475	A	11/1941	Kautenberg
2,328,287	A	8/1943	Martin
2,814,822	A	12/1957	Page
2,905,960	A	9/1959	Ward

(Continued)

FOREIGN PATENT DOCUMENTS

CN	303269789	*	7/2015
CN	303324199	*	8/2015

(Continued)

OTHER PUBLICATIONS

Amazon.com: Glass and Window Cleaning Squeegee & Microfiber Cloth Window Washer Kit, reviews 2016, site visited Sep. 21, 2016, https://www.amazon.com/Window-Cleaning-Squeegee-Microfiber-Washer/dp/B01GGGMF1S/ref=sr_1_178?ie=UTF8&qid=1474497249&sr=8-178&keywords=flexible+mop.*

Primary Examiner — John Windmuller

Assistant Examiner — John R Yeh

(74) *Attorney, Agent, or Firm* — Ohlandt, Greeley, Ruggiero & Perle, LLP

(57) **CLAIM**

The ornamental design for a window cleaning device, as shown and described.

DESCRIPTION

FIG. 1 is a front perspective view of a window cleaning device according to the present disclosure having a pole shown in phantom;

FIG. 2 is a front perspective view of the window cleaning device of FIG. 1;

FIG. 3 is a front view of the window cleaning device of FIG. 2;

FIG. 4 is a rear view of the window cleaning device of FIG. 2;

FIG. 5 is a first side view of the window cleaning device of FIG. 2;

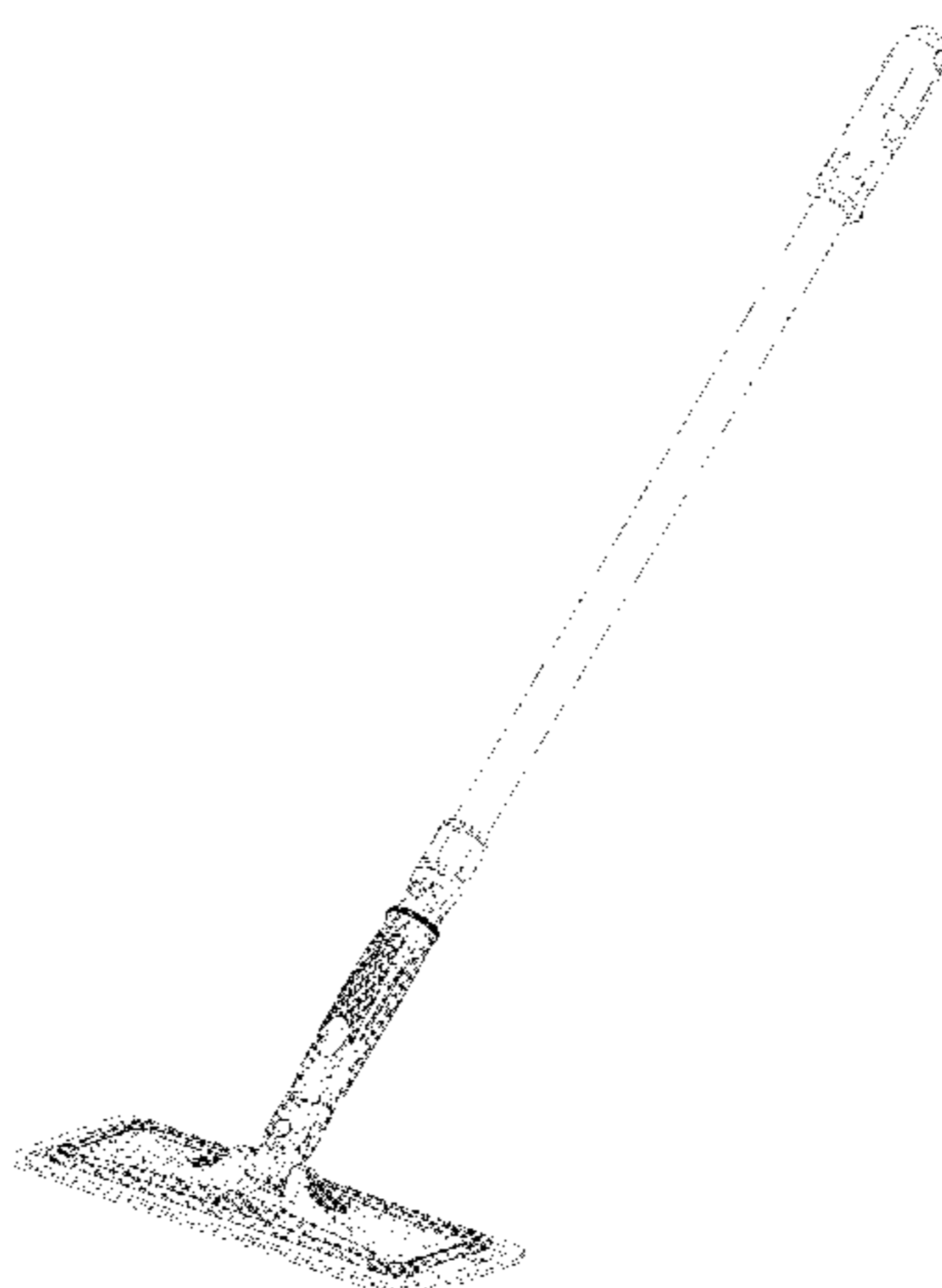
FIG. 6 is a second, opposite side view of the window cleaning device of FIG. 2; and

FIG. 7 is a top view of the window cleaning device of FIG. 2; and,

FIG. 8 is a bottom view of the window cleaning device of FIG. 2.

The broken lines in the drawings illustrating environmental structure or boundaries that form no part of the claimed design.

1 Claim, 8 Drawing Sheets



(56)

References Cited

U.S. PATENT DOCUMENTS

3,792,505 A * 2/1974 Saltzstein A47L 13/256
15/147.2

3,892,005 A 7/1975 Berns

4,115,892 A 9/1978 Stickler

4,574,417 A 3/1986 Magnasco

4,580,307 A * 4/1986 Moss A47L 13/59
15/144.2

D298,072 S 10/1988 Stirling

4,777,694 A 10/1988 Young

4,847,938 A 7/1989 Unger

4,852,210 A * 8/1989 Krajicek A47L 13/20
15/144.2

4,922,569 A 5/1990 Brinker et al.

5,099,539 A 3/1992 Forester

5,175,902 A 1/1993 Samuelsson

5,419,015 A * 5/1995 Garcia A47L 13/20
15/144.2

5,471,698 A 12/1995 Francis et al.

D386,063 S 11/1997 Badiali

D389,625 S * 1/1998 Feldman D32/40

5,930,863 A 8/1999 Samuelsson

6,018,836 A 2/2000 Williams

D423,157 S * 4/2000 Hodges D32/40

6,334,254 B1 1/2002 Wonderley

D455,878 S * 4/2002 Debreczeni D32/50

D457,994 S * 5/2002 Gomez D32/40

D481,184 S * 10/2003 Clare D32/50

6,651,290 B2 * 11/2003 Kingry A47L 13/46
15/228

6,742,951 B2 6/2004 Schultz et al.

D503,836 S * 4/2005 Hall D32/50

6,931,690 B2 8/2005 Cox

6,990,705 B1 1/2006 Schouten et al.

7,000,282 B2 2/2006 Cox et al.

D525,511 S 7/2006 Hung

7,155,770 B2 1/2007 Anderson et al.

D549,912 S * 8/2007 Van Lanningham D32/40

D551,530 S 9/2007 Hirsch

D554,815 S * 11/2007 Harper D32/40

D564,161 S 3/2008 Talesfore et al.

7,350,998 B2 4/2008 Walsh, III

7,415,769 B2 8/2008 Hughes

D585,612 S * 1/2009 Soller D32/40

D588,767 S 3/2009 Libman et al.

D618,981 S 7/2010 Gringer

7,748,074 B2 7/2010 Guizzi

D627,532 S 11/2010 Yang et al.

D632,857 S 2/2011 Sgroi et al.

D632,858 S 2/2011 Sgroi et al.

D634,496 S 3/2011 Porco

7,913,349 B2 3/2011 Byrnes

D649,314 S 11/2011 Quinlan et al.

D658,344 S * 4/2012 Babic D32/50

8,166,597 B2 * 5/2012 Levitt A47L 13/12
15/118

8,171,646 B2 5/2012 Chiu

8,214,964 B1 7/2012 Coleman

8,356,415 B2 1/2013 Lin

8,438,688 B2 5/2013 Weinberger et al.

8,495,784 B2 7/2013 Steinhardt et al.

8,544,146 B2 10/2013 Curien

D694,484 S * 11/2013 Angel D32/50

D720,105 S * 12/2014 Gidwell D32/40

2002/0042962 A1 * 4/2002 Willman A47L 13/16
15/208

2004/0142647 A1 7/2004 Goulet et al.

2006/0260084 A1 11/2006 Guizzi

2007/0256266 A1 * 11/2007 Michelson A47L 13/20
15/228

2011/0167647 A1 7/2011 Gringer et al.

2013/0239345 A1 9/2013 Giustetto

FOREIGN PATENT DOCUMENTS

CN 303324217 * 8/2015

JP H09154776 A 6/1997

WO 2005023075 A1 3/2005

* cited by examiner

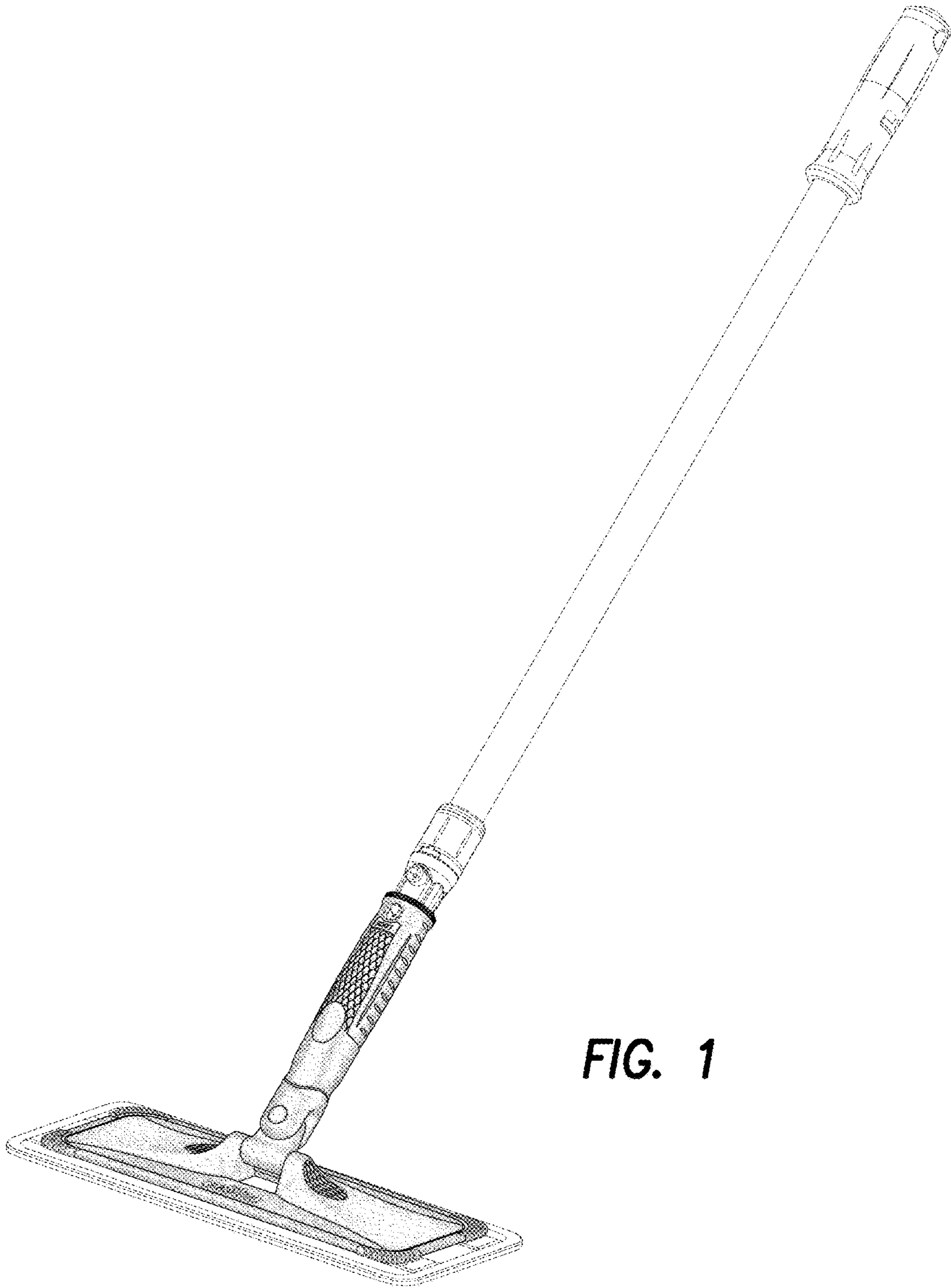


FIG. 1

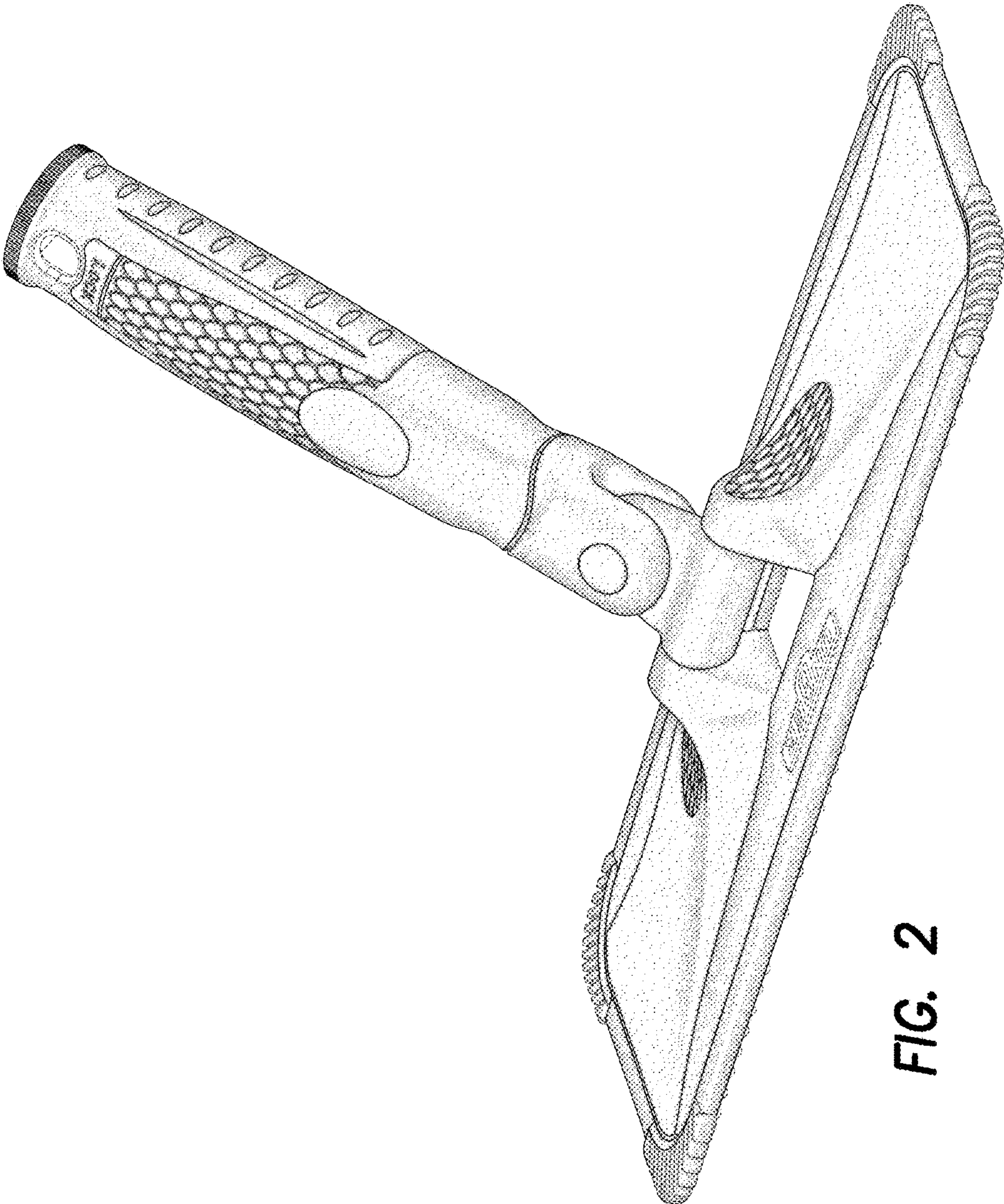


FIG. 2

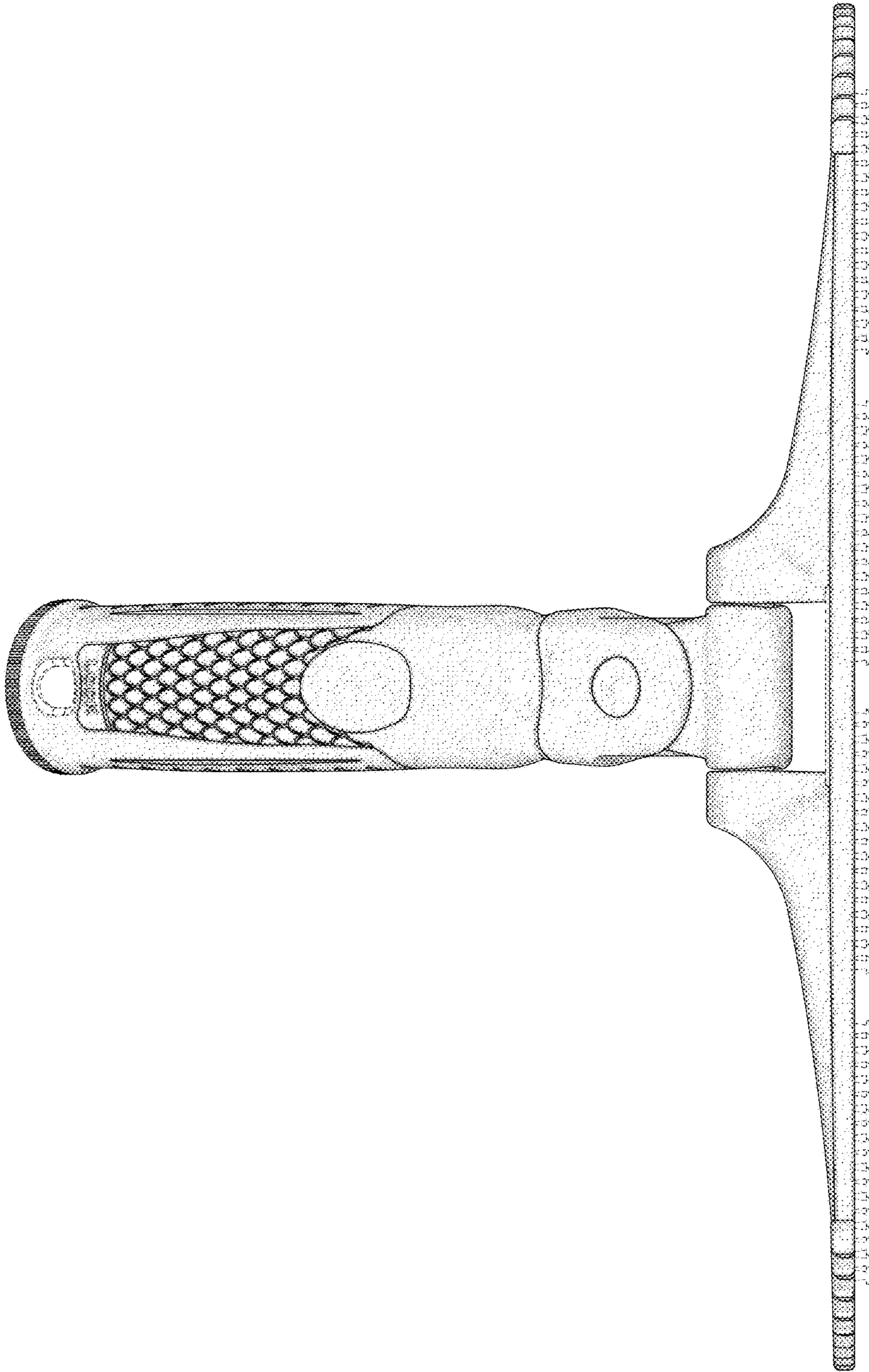


FIG. 3

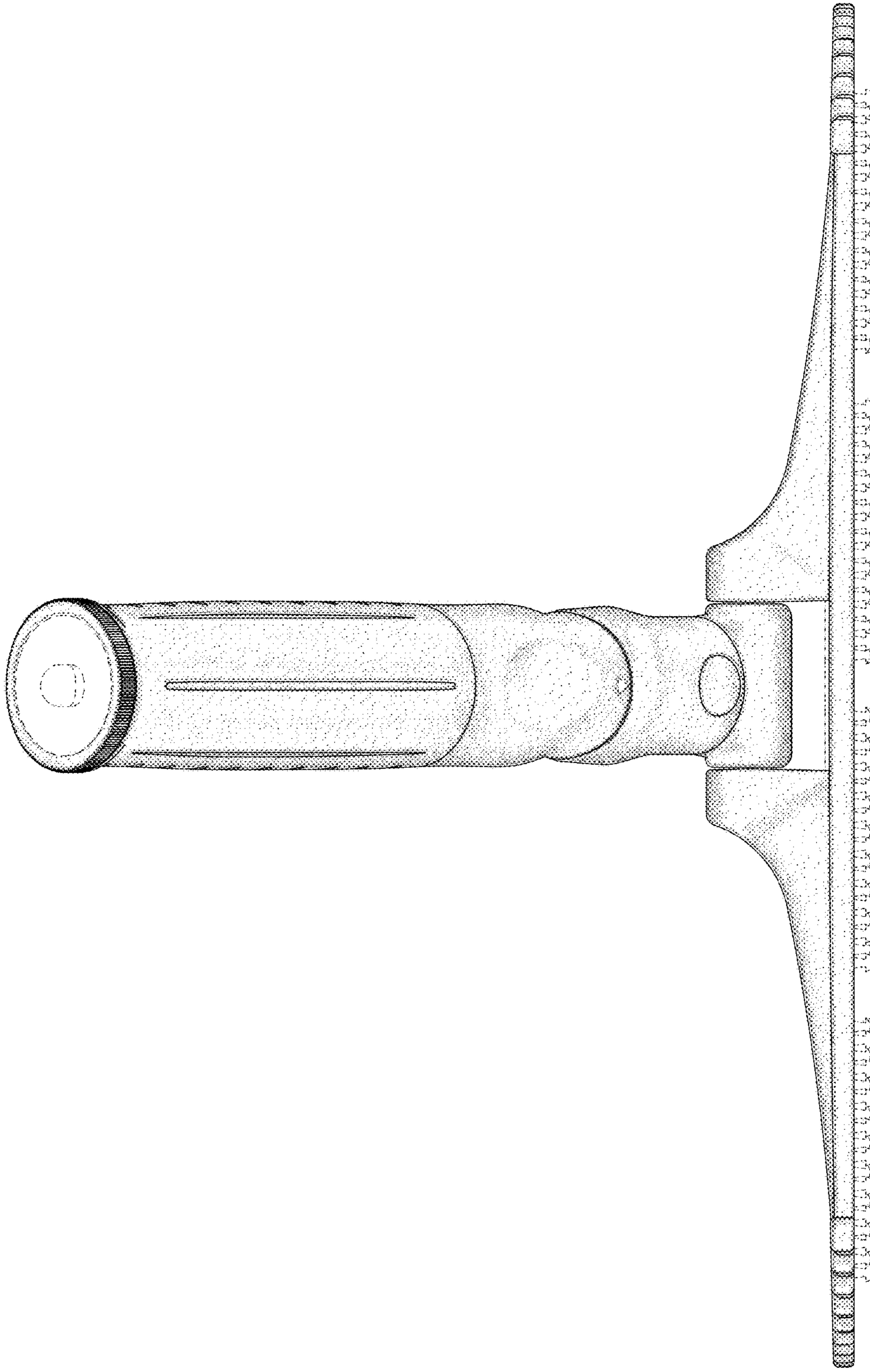


FIG. 4

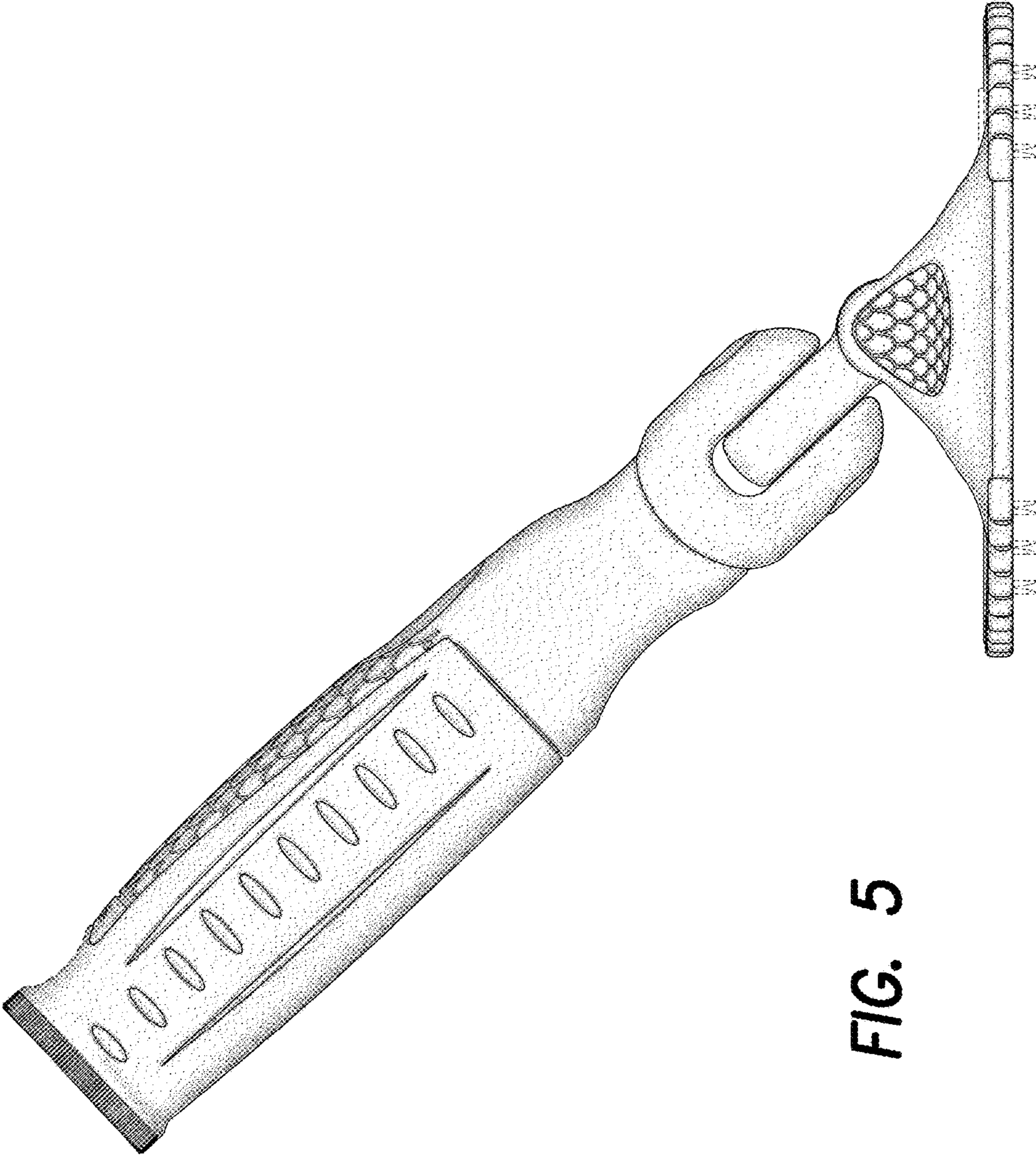


FIG. 5

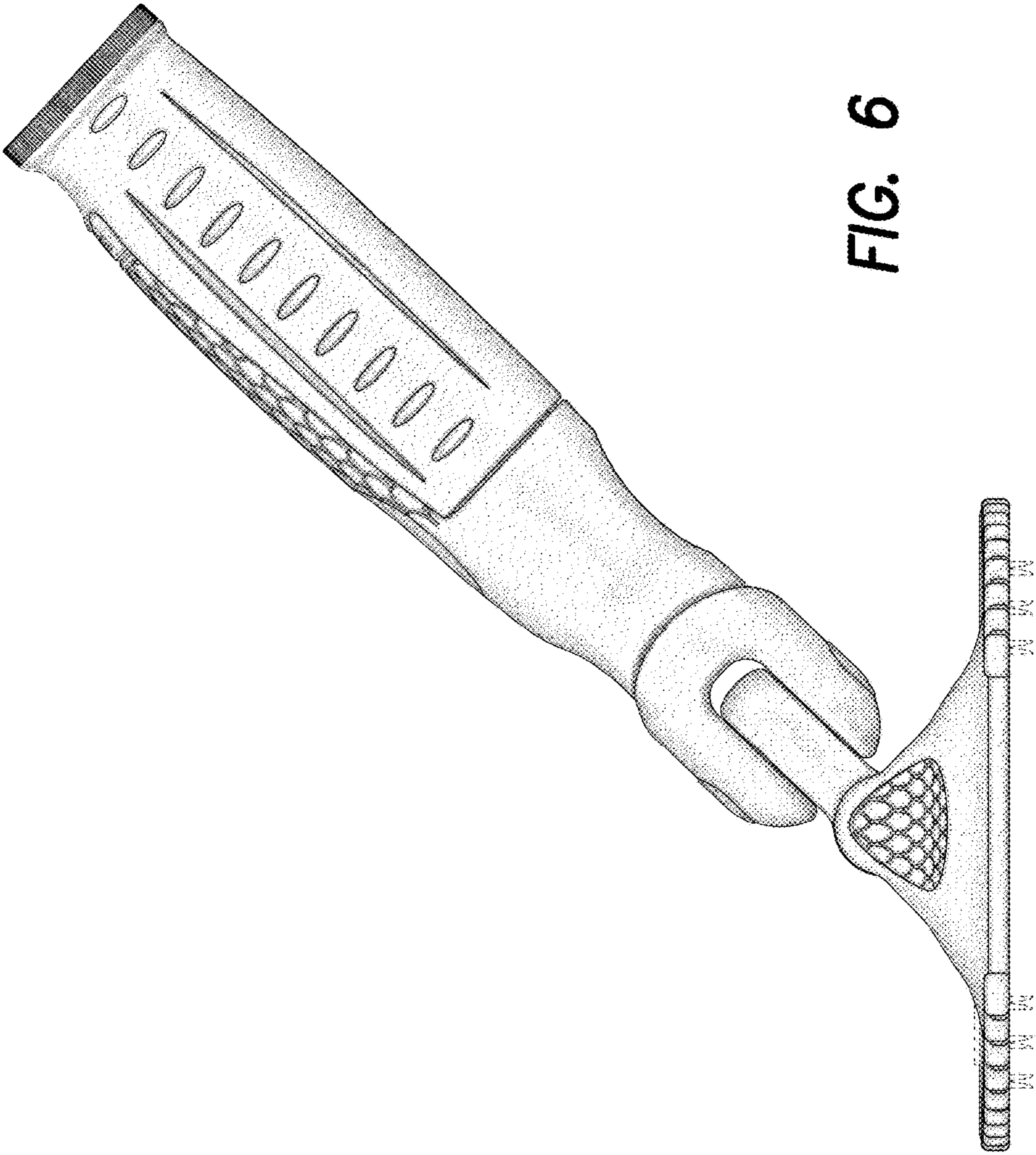


FIG. 6

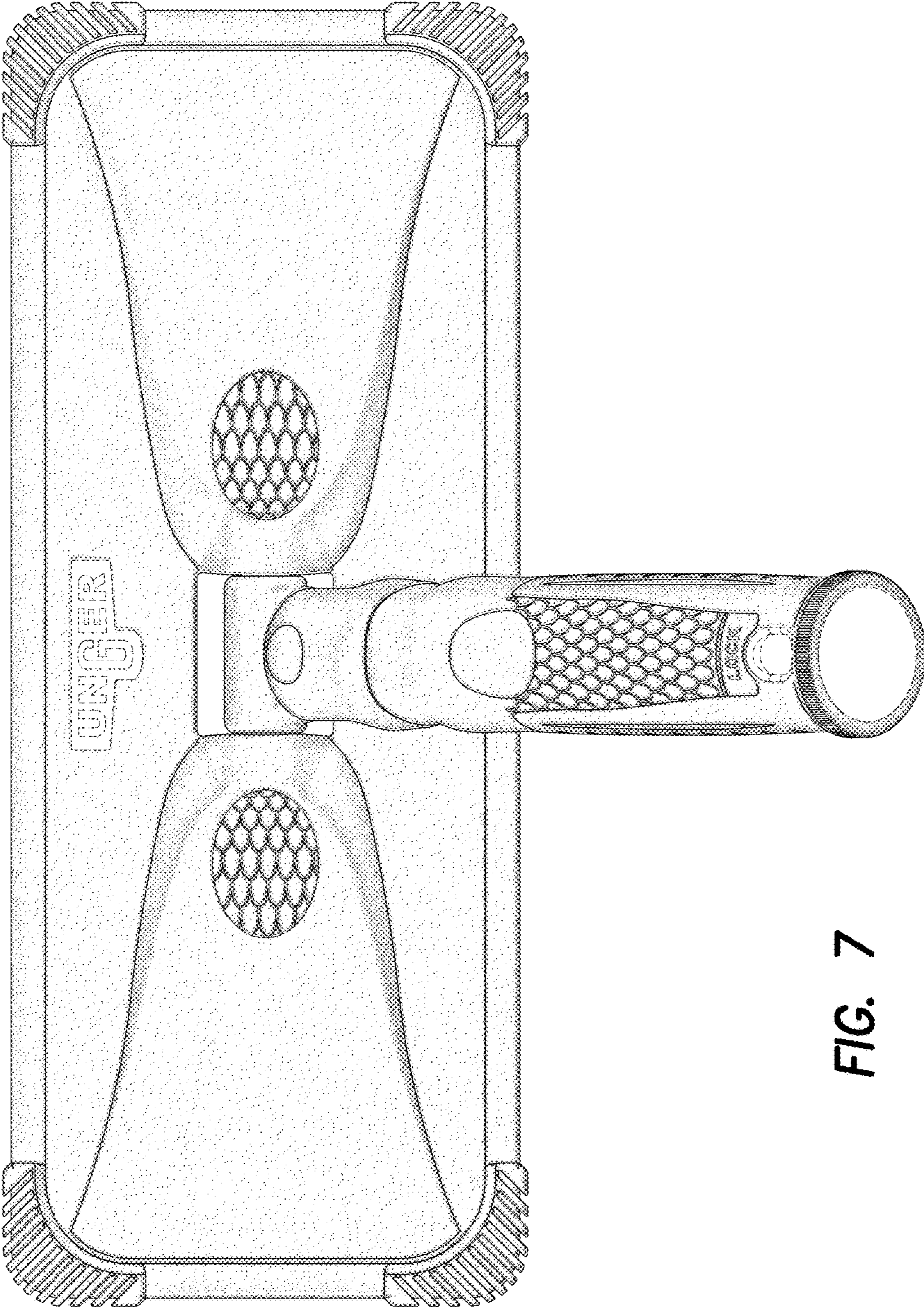


FIG. 7

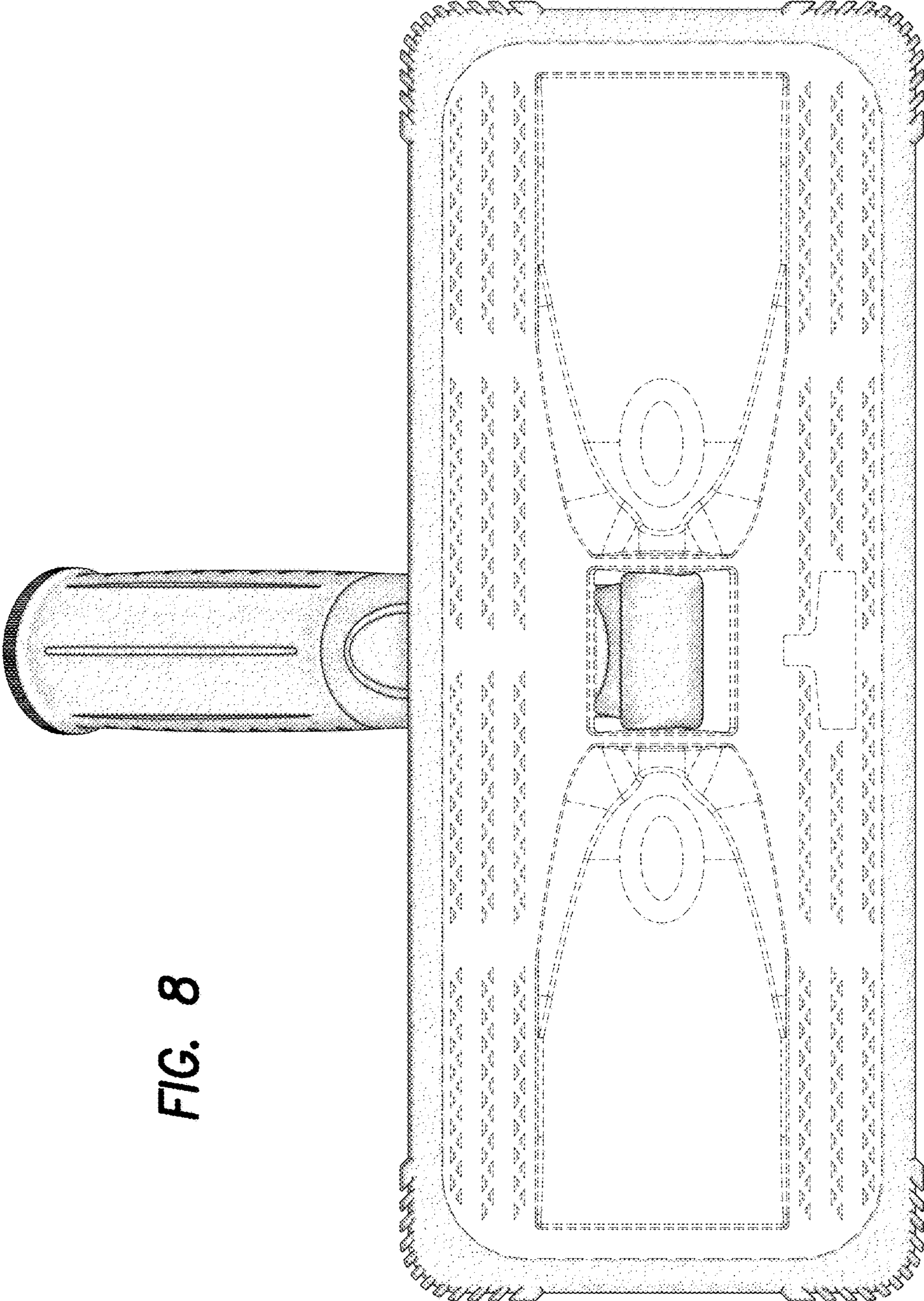


FIG. 8