



US00D787141S

(12) **United States Design Patent**  
**Nam et al.**

(10) **Patent No.:** **US D787,141 S**  
(45) **Date of Patent:** **\*\* May 16, 2017**

(54) **VACUUM CLEANER**

(71) Applicant: **LG ELECTRONICS INC.**, Seoul (KR)

(72) Inventors: **Bohyun Nam**, Seoul (KR); **Sojin Park**, Seoul (KR); **Seunghyun Song**, Seoul (KR); **Sehwan Bae**, Seoul (KR)

(73) Assignee: **LG ELECTRONICS INC.**, Seoul (KR)

(\*\*) Term: **15 Years**

(21) Appl. No.: **29/533,786**

(22) Filed: **Jul. 22, 2015**

(30) **Foreign Application Priority Data**

Feb. 16, 2015 (KR) ..... 30-2015-0008592

(51) **LOC (10) Cl.** ..... **15-05**

(52) **U.S. Cl.**  
USPC ..... **D32/21**

(58) **Field of Classification Search**  
USPC ..... D32/21-23, 31, 34  
CPC ..... G06N 3/008; A47L 9/2857; A47L 9/2842;  
A47L 9/2852; A47L 9/00; A47L 9/325;  
A47L 5/36-5/367; A47L 7/0019; A47L  
7/0004; A47L 11/34; A47L 11/29; A47L  
11/30; E04H 4/1654

See application file for complete search history.

(56) **References Cited**

U.S. PATENT DOCUMENTS

D555,852 S	*	11/2007	Shin	.....	D32/21
D582,109 S	*	12/2008	Kim	.....	D32/21
D621,107 S	*	8/2010	Kim	.....	D32/21
D667,180 S	*	9/2012	Ghim	.....	D32/21
D728,175 S	*	4/2015	Park	.....	D32/21
D745,758 S	*	12/2015	Carter	.....	D32/21

\* cited by examiner

*Primary Examiner* — Ruth McInroy

(74) *Attorney, Agent, or Firm* — Ked & Associates LLP

(57) **CLAIM**

We claim the ornamental design for a vacuum cleaner, as shown and described.

**DESCRIPTION**

FIG. 1 is a perspective view of a vacuum cleaner showing our new design;  
FIG. 2 is a front elevation view thereof;  
FIG. 3 is a rear elevation view thereof;  
FIG. 4 is a left-side elevation view thereof;  
FIG. 5 is a right-side elevation view thereof; and,  
FIG. 6 is a top plan view thereof.

**1 Claim, 4 Drawing Sheets**

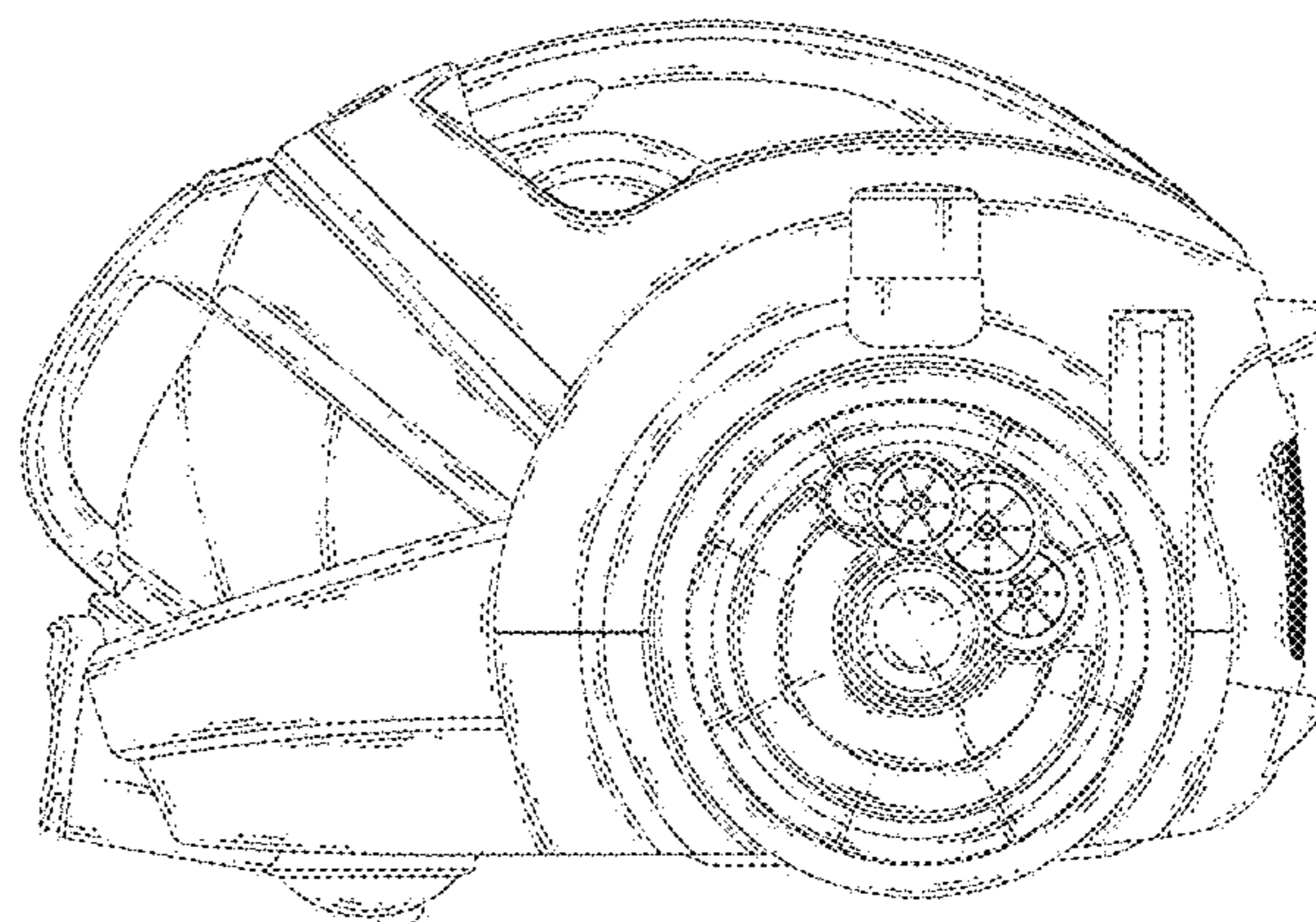
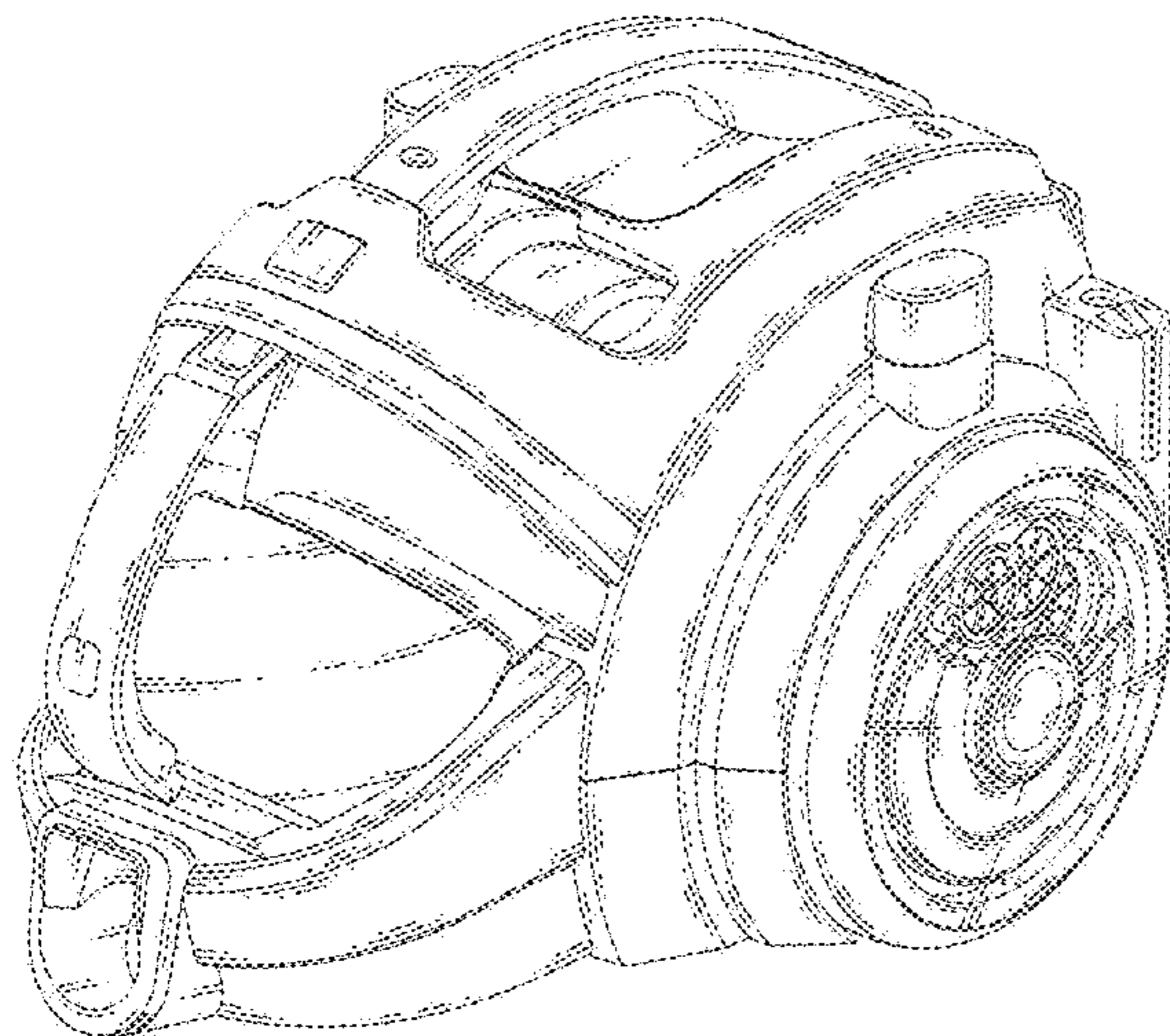


FIG. 1

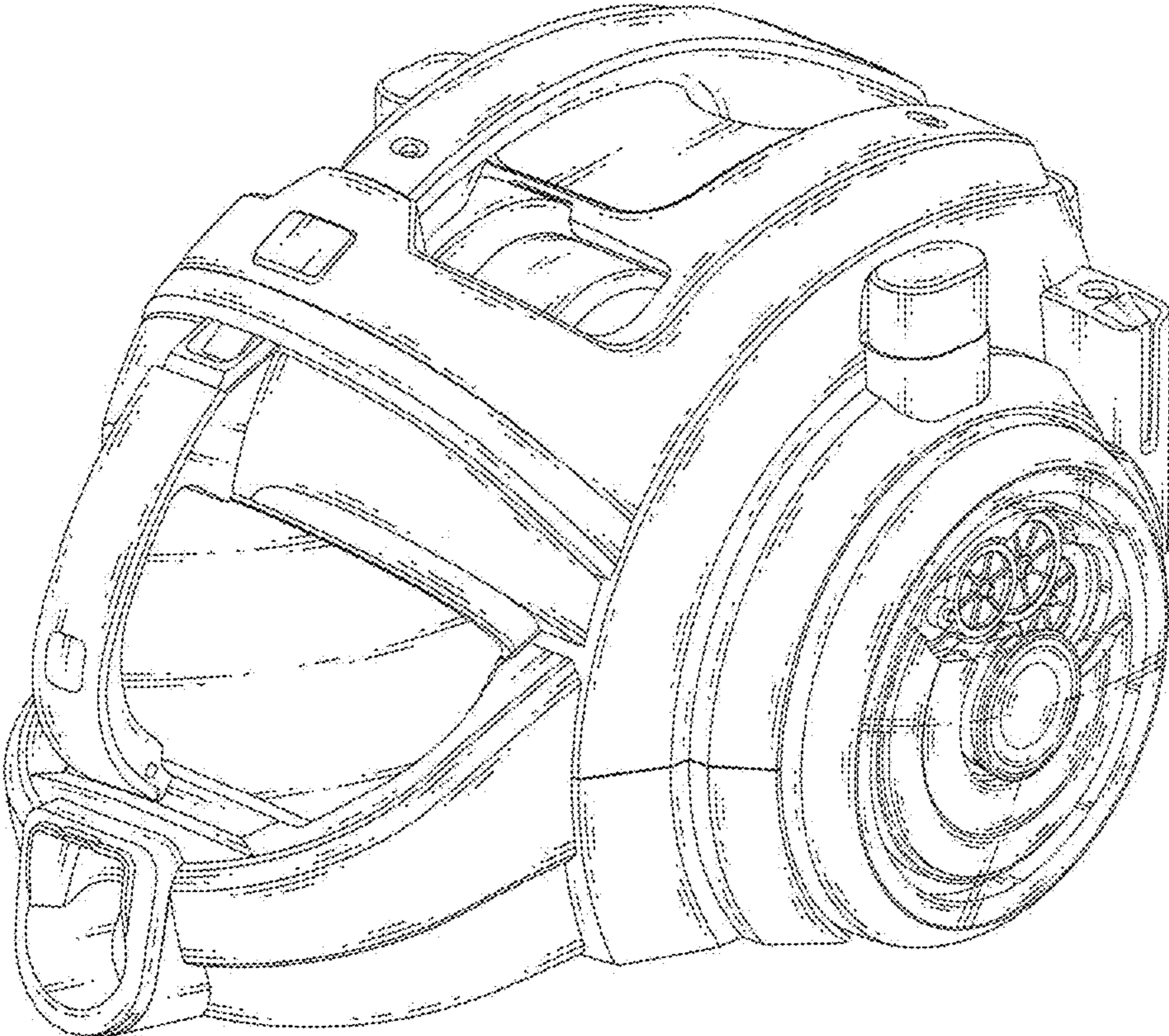




FIG. 2

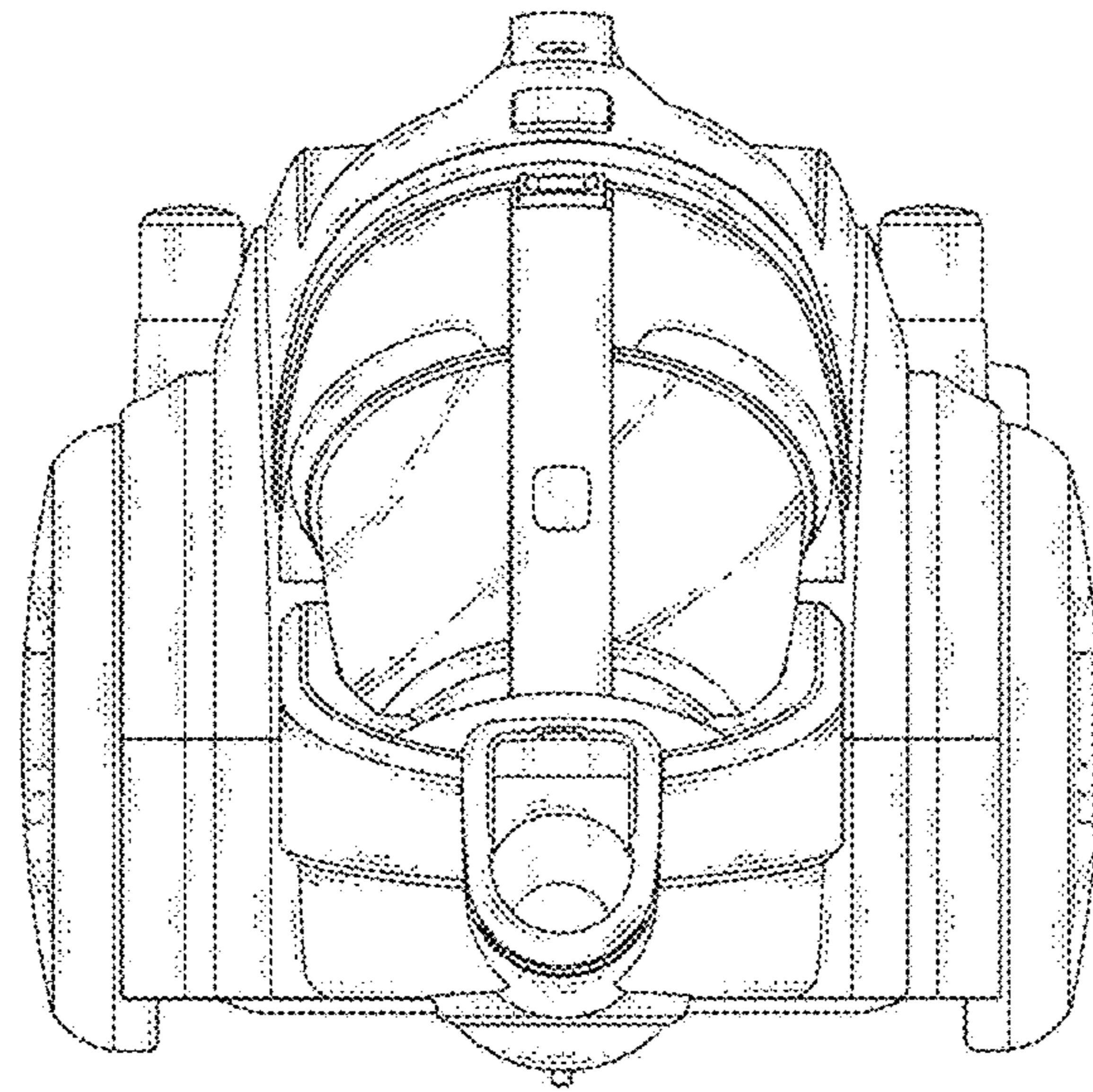


FIG. 3

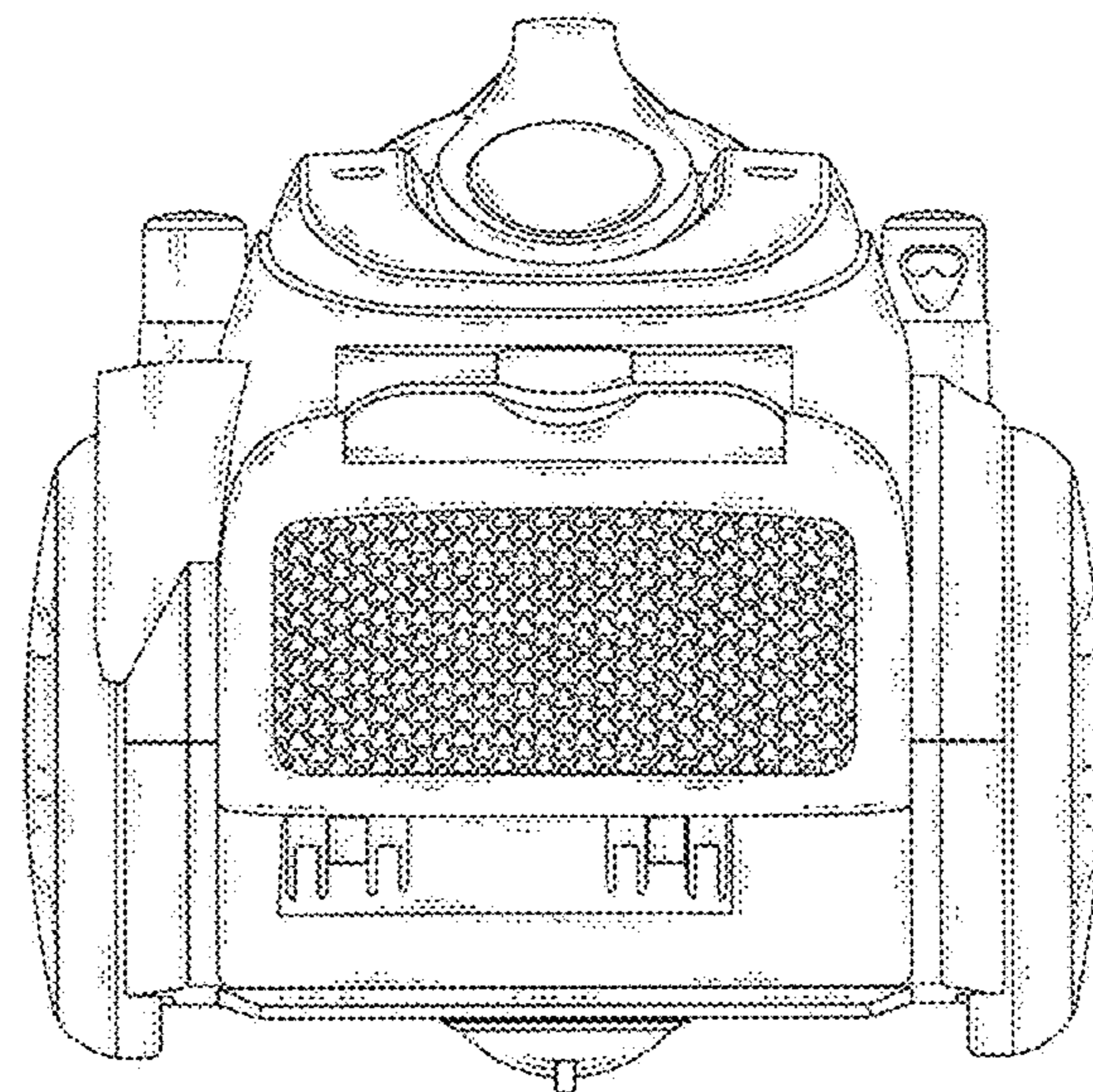


FIG. 4

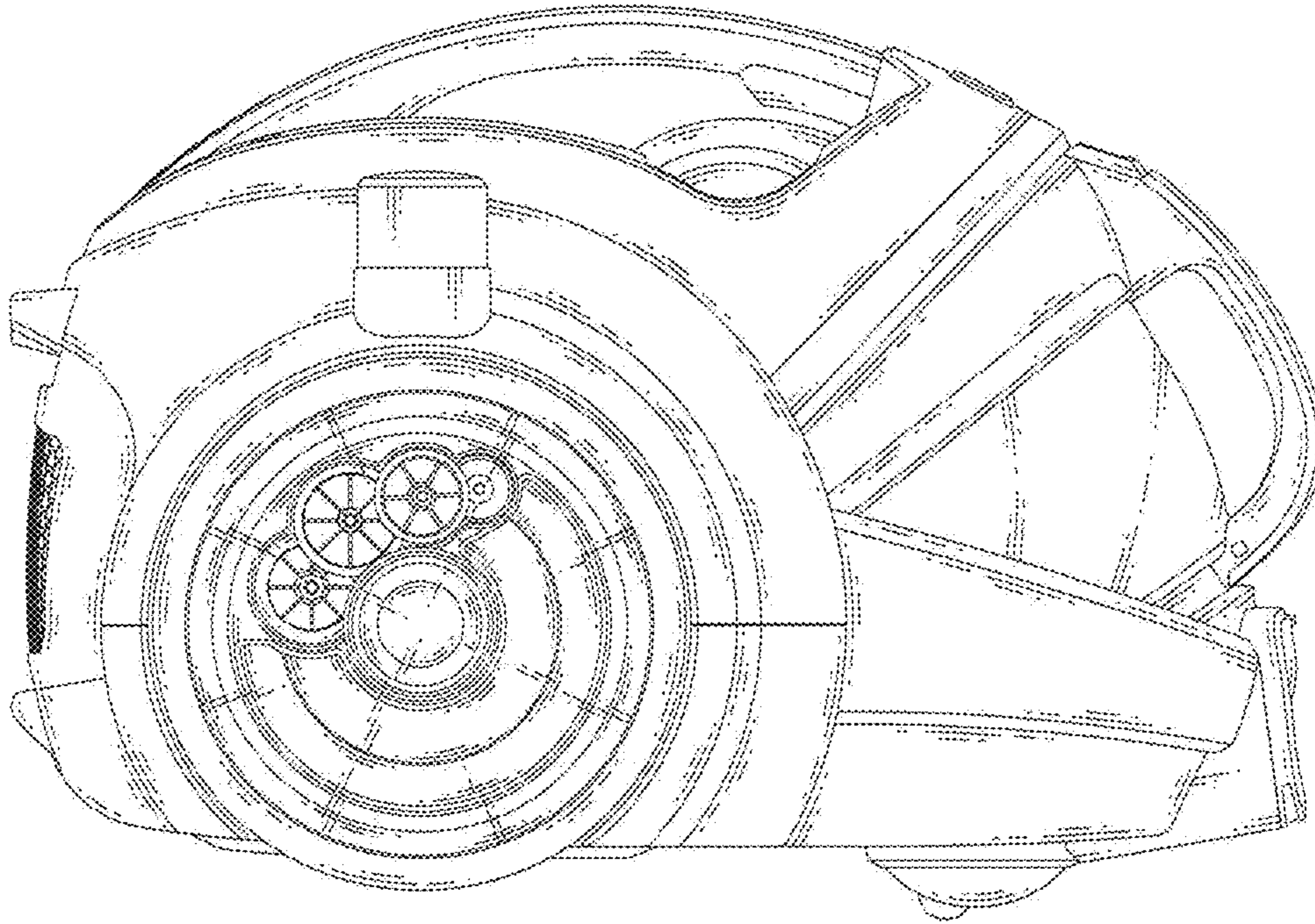


FIG. 5

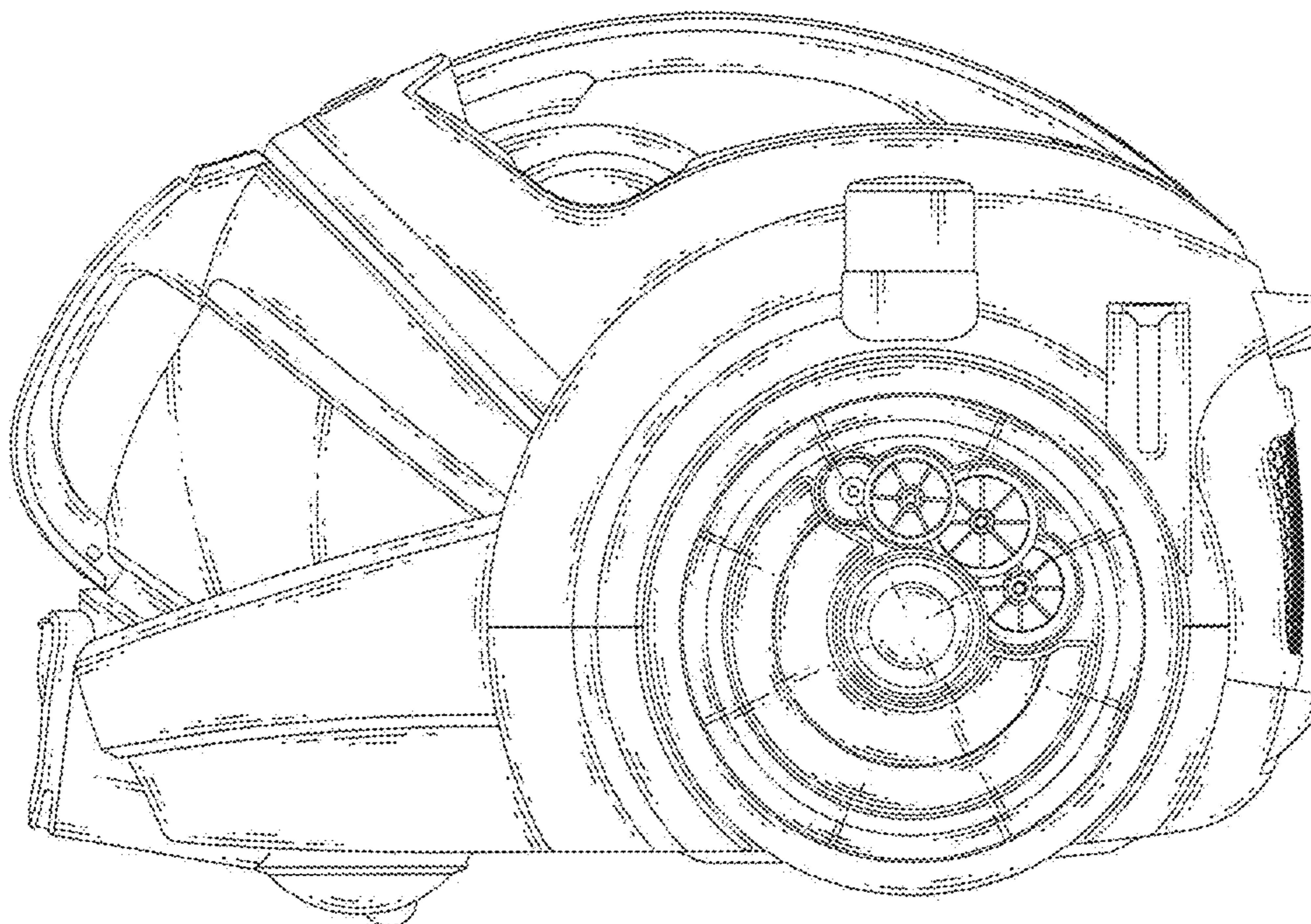




FIG. 6

