



US00D787136S

(12) **United States Design Patent** (10) **Patent No.:** **US D787,136 S**
Wemark (45) **Date of Patent:** **** May 16, 2017**

(54) **ANTI-GRAZING HORSE RIDING MUZZLE**
(71) Applicant: **Kelley Lee Wemark**, Trego, WI (US)
(72) Inventor: **Kelley Lee Wemark**, Trego, WI (US)
(**) Term: **15 Years**
(21) Appl. No.: **29/559,092**
(22) Filed: **Mar. 24, 2016**
(51) **LOC (10) Cl.** **30-04**
(52) **U.S. Cl.**
USPC **D30/152**
(58) **Field of Classification Search**
USPC D30/136, 137, 138, 144, 145, 151, 152,
D30/199; D2/627; D3/215, 327;
D29/101.1, 101.3, 101.5; D24/190
CPC A01K 25/00; A01K 13/006
See application file for complete search history.

4,519,187 A * 5/1985 Reynolds A01K 13/006
54/80.3
D293,614 S * 1/1988 Taper D30/144
D316,764 S * 5/1991 Edwards D30/152
5,299,531 A 4/1994 Dietz
6,082,309 A 7/2000 Wexler
D459,556 S * 6/2002 Martin D30/144
6,574,948 B2 6/2003 Longtin
D487,312 S * 3/2004 Bailey D24/110.1
7,690,332 B1 4/2010 Merbeth
7,891,321 B2 2/2011 Slank
8,220,419 B2 7/2012 Mitton
2013/0112154 A1 5/2013 Sheridan
2014/0190423 A1 7/2014 Nelson

OTHER PUBLICATIONS

“Vintage Horse Muzzles Wire Mesh Baskets”. Found online Jan. 31, 2017 at etsy.com. Page dated Nov. 20, 2012. Retrieved from <https://www.etsy.com/listing/103496689/reserved-for-sally-vintage-horse-muzzles>.*

(Continued)

(56) **References Cited**
U.S. PATENT DOCUMENTS

368,430 A 8/1887 Spooner
435,308 A * 8/1890 Johnson A01K 19/00
119/823
522,696 A 7/1894 Sanborn
547,110 A * 10/1895 Boucher A01K 19/00
119/827
1,052,749 A * 2/1913 Peelman A01K 13/006
119/832
1,543,960 A 6/1925 Tobin
1,728,443 A * 9/1929 Perkins A01K 25/00
54/80.3
1,748,027 A * 2/1930 Rasmussen A01K 25/00
119/831
2,298,265 A 10/1942 Ashby
D217,258 S * 4/1970 Lupo D30/152
3,609,941 A * 10/1971 Eldredge B68B 7/00
54/80.3
4,273,119 A * 6/1981 Marchello A61D 7/04
119/832

Primary Examiner — Robert M Spear
Assistant Examiner — Kendra L Hamilton
(74) *Attorney, Agent, or Firm* — Dale J. Ream

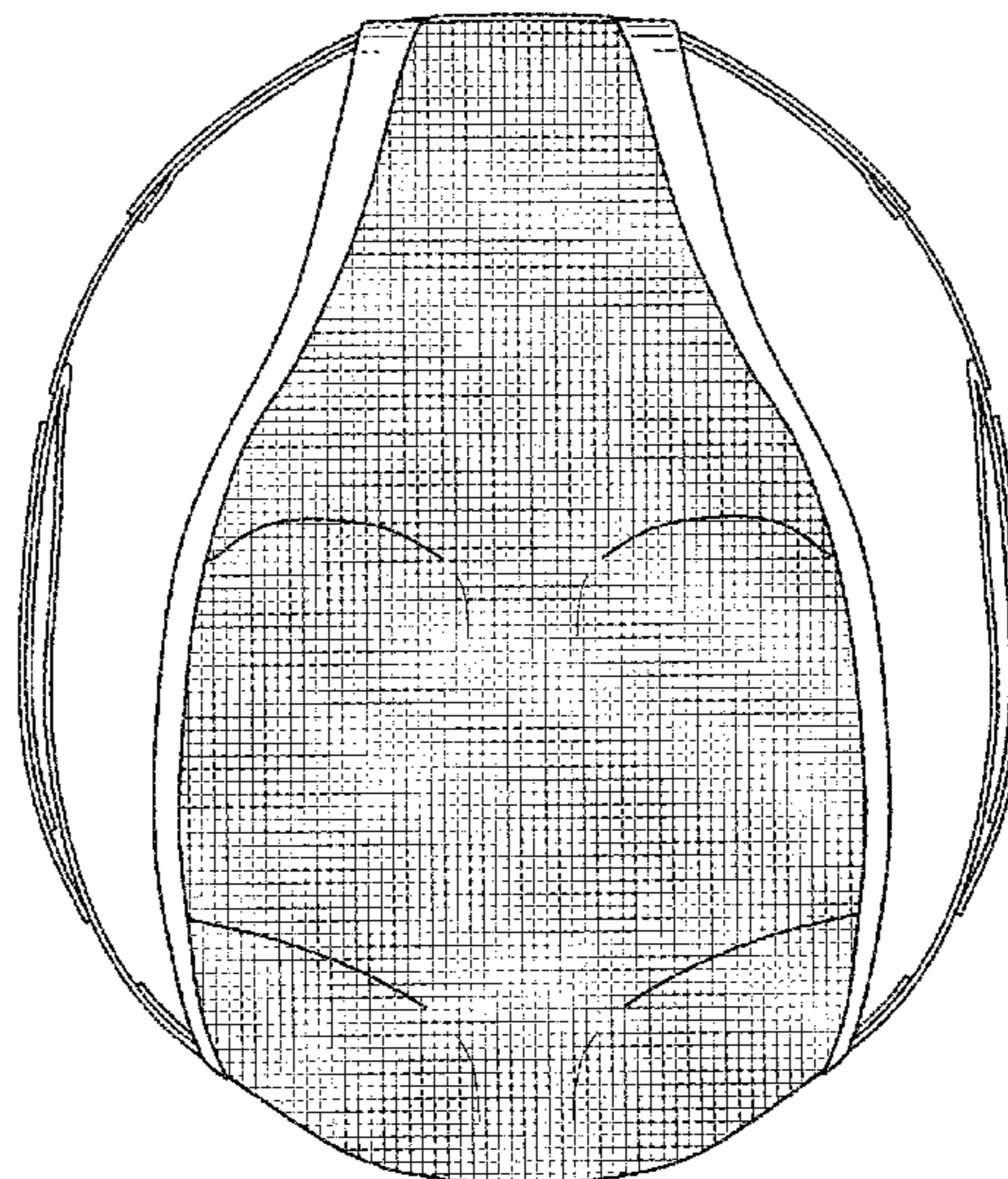
(57) **CLAIM**

The ornamental design for an anti-grazing horse riding muzzle, as shown and described.

DESCRIPTION

FIG. 1 is a front view of an anti-grazing horse riding muzzle showing my new design;
FIG. 2 is a back view thereof;
FIG. 3 is a right side elevation thereof;
FIG. 4 is a left side elevation thereof;
FIG. 5 is a top view thereof; and,
FIG. 6 is a bottom view thereof.

1 Claim, 6 Drawing Sheets



(56)

References Cited

OTHER PUBLICATIONS

“Tough-1 Freedom Muzzle” Found online Feb. 2, 2017 at amazon.com. Page dated Jun. 1, 2012. Retrieved from https://www.amazon.com/Tough-1-Tough-1-Freedom-Muzzle/dp/B002H15C10/ref=cm_cr_ar_p_d_product_top?ie=UTF8.*

“Mesh Lamb Muzzle”. Found online Jan. 31, 2017 at valleyvet.com. Page dated Jan. 31, 2010. Retrieved from http://web.archive.org/web/20100131185101/http://www.valleyvet.com/ct_detail.html?pgguid=30e07b64-7b6a-11d5-a192-00b0d0204ae5.*

“Canine Friendly Short Snout Dog Muzzle”. Found online Feb. 2, 2017 at amazon.com. Page dated Sep. 7, 2014. Retrieved from https://www.amazon.com/Canine-Friendly-Muzzle-Medium-Orange/dp/B00J59JBPW/ref=cm_cr_ar_p_d_product_top?ie=UTF8.*

* cited by examiner

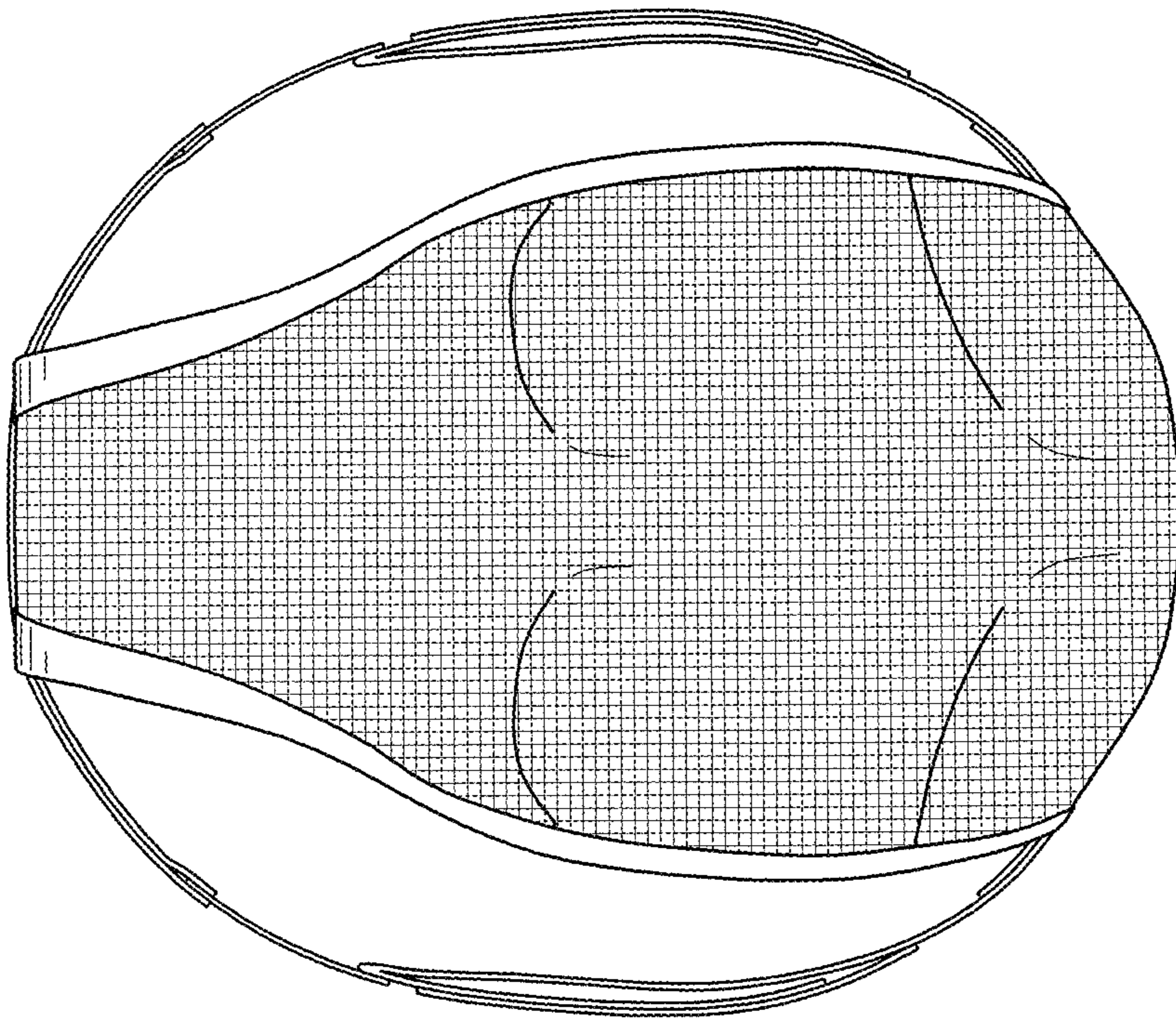


FIG. 1

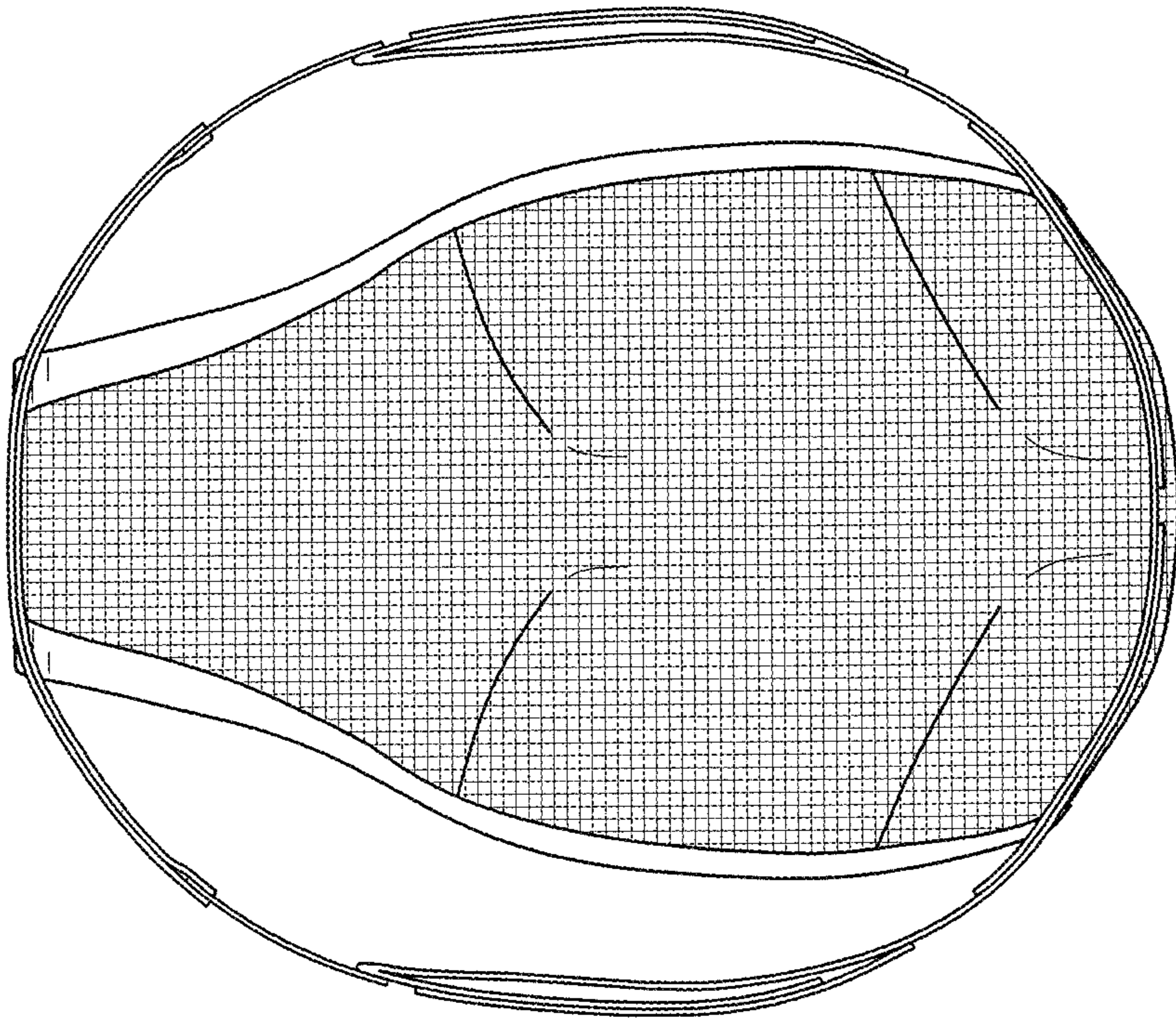


FIG. 2

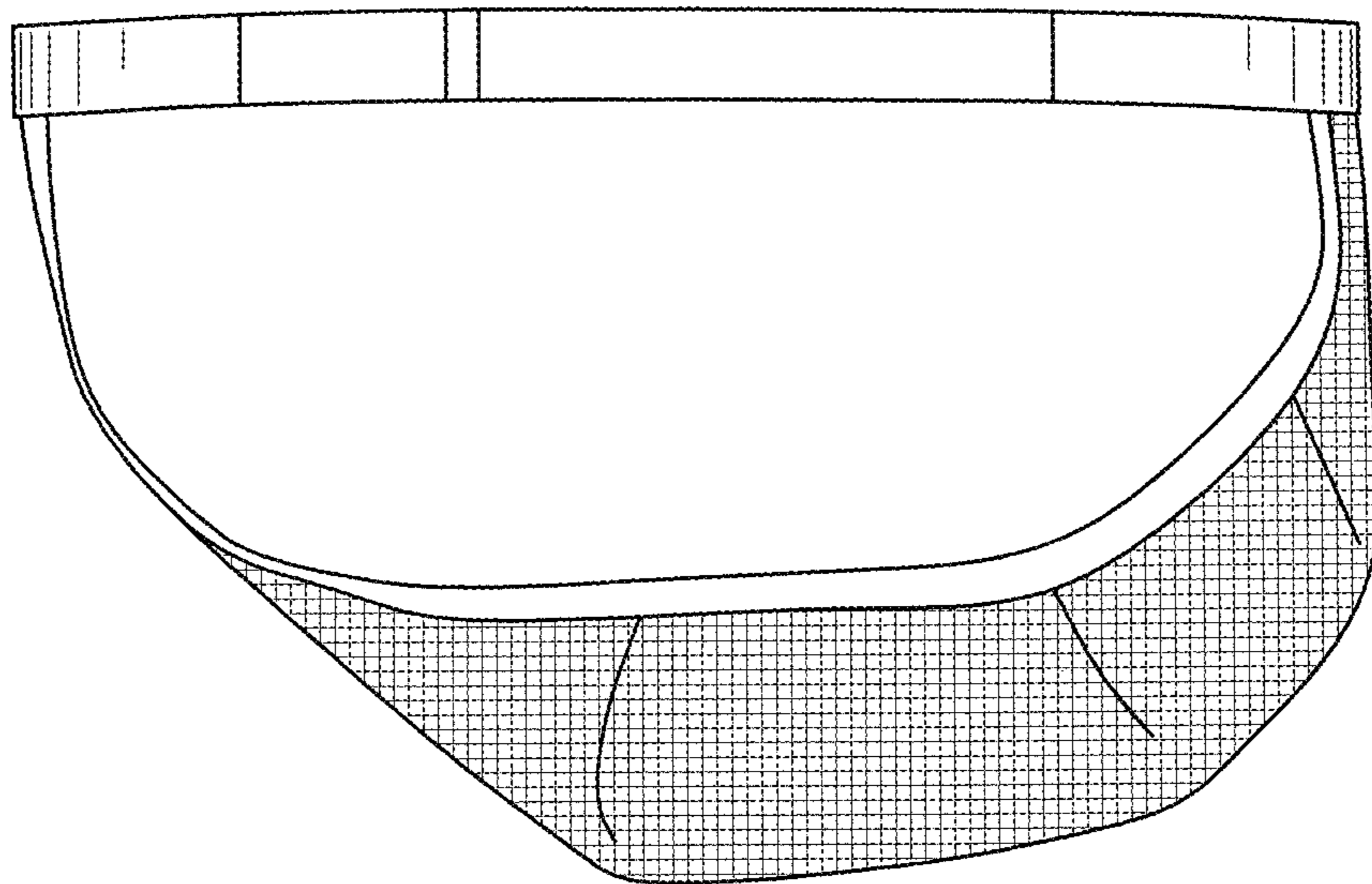


FIG. 3

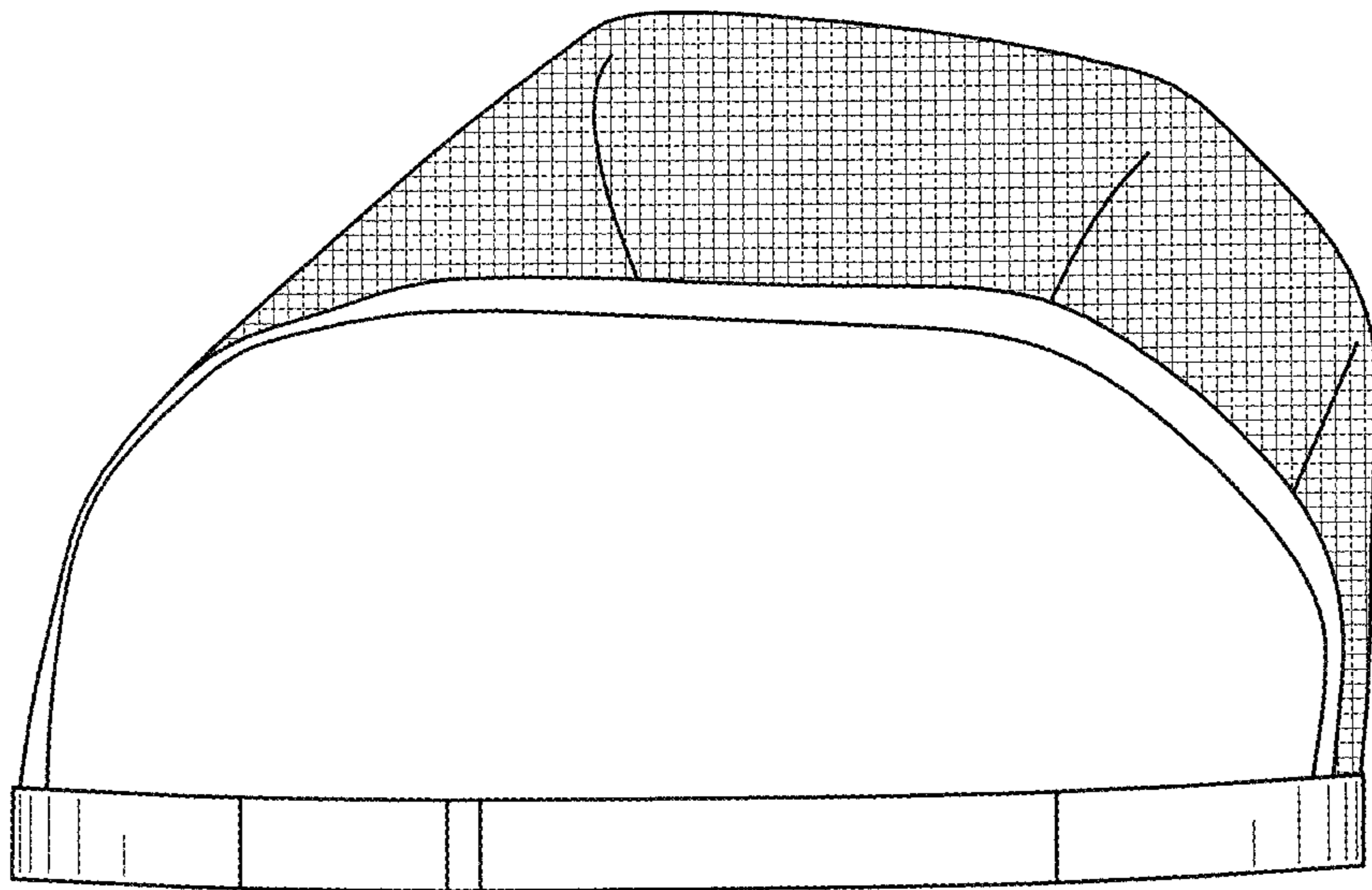


FIG. 4

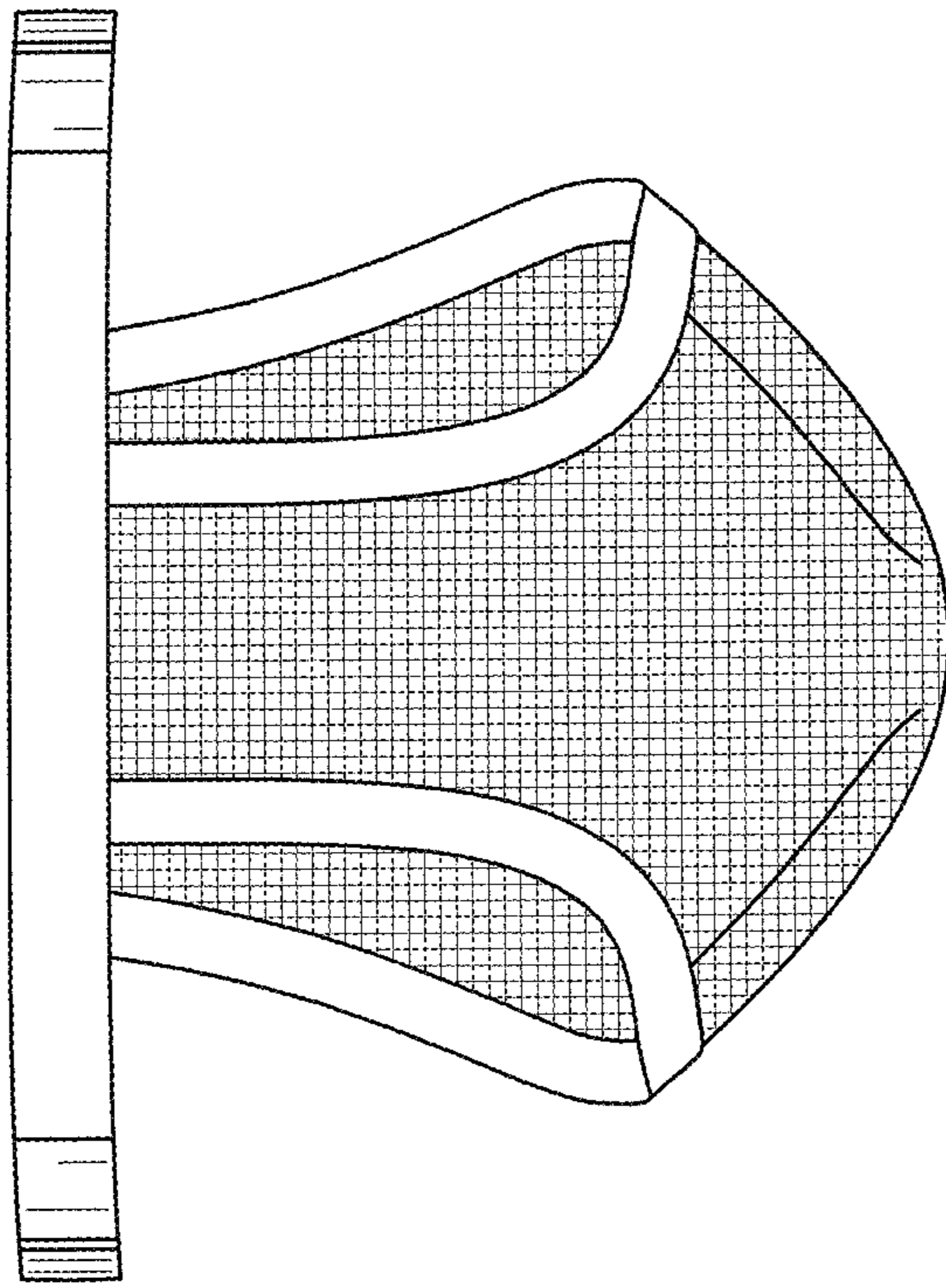


FIG. 5

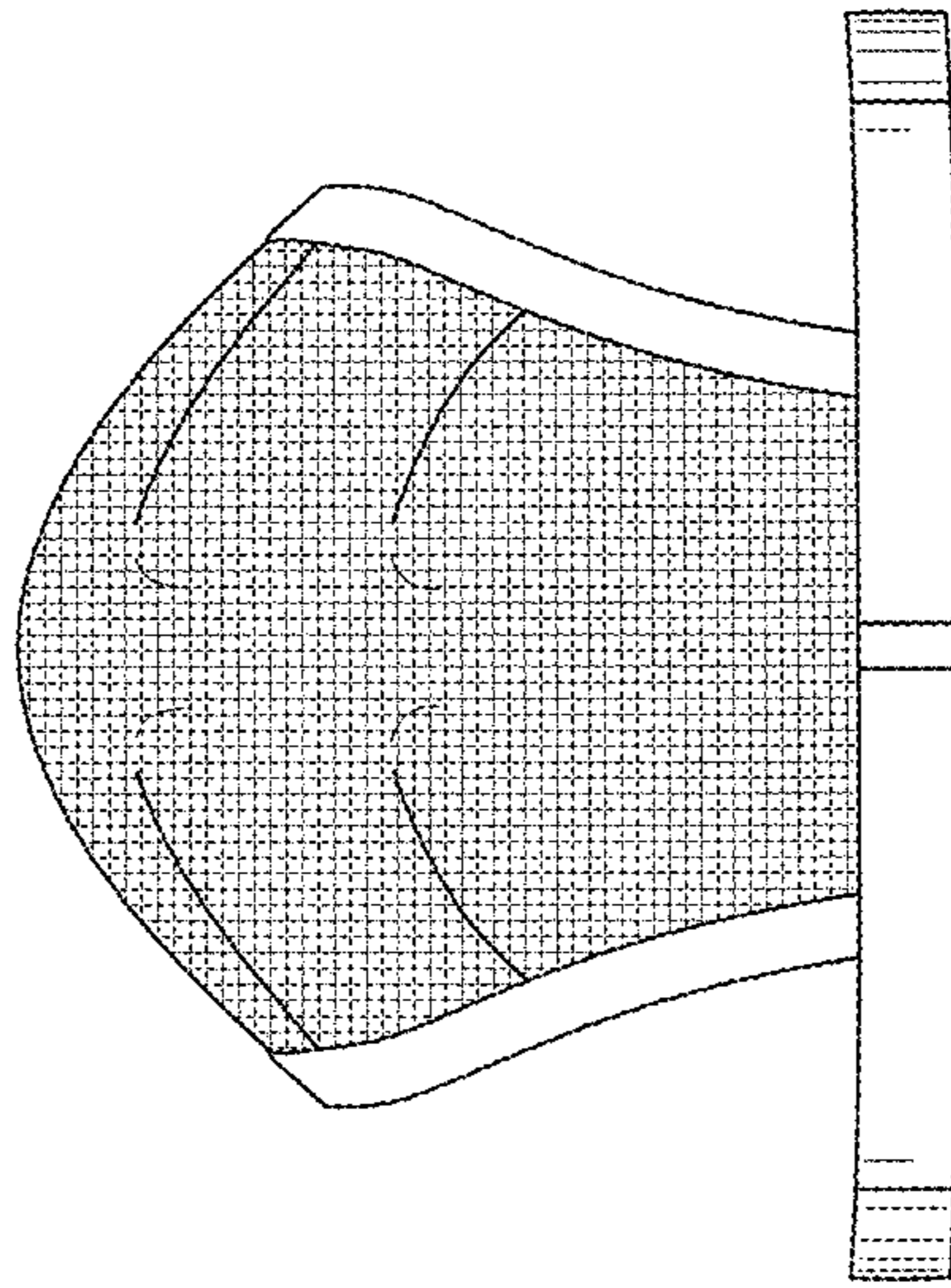


FIG. 6