



US00D787135S

(12) **United States Design Patent**
Green

(10) **Patent No.:** **US D787,135 S**

(45) **Date of Patent:** **** May 16, 2017**

(54) **DOG BOWL FEEDING TABLE**

(71) Applicant: **April Green**, El Dorado Hills, CA (US)

(72) Inventor: **April Green**, El Dorado Hills, CA (US)

(**) Term: **15 Years**

(21) Appl. No.: **29/566,698**

(22) Filed: **Jun. 2, 2016**

Related U.S. Application Data

(63) Continuation-in-part of application No. 29/554,685, filed on Feb. 13, 2016, now Pat. No. Des. 777,993.

(51) **LOC (10) Cl.** **30-33**

(52) **U.S. Cl.**

USPC **D30/133**; D30/121; D30/131

(58) **Field of Classification Search**

USPC D30/133, 121, 128, 130, 132; 119/52.1, 119/55, 61.5, 61.6, 61.57, 61.56; D6/480-489, 708, 691.6, 656.13, 691.8, D6/495-499, 349, 429, 477, 353, 690; 248/188, 157, 188.5, 188.8, 188.9, 404, 248/226.11, 231.31; 312/204; 108/153.1-157, 144.11, 145, 146, 147.12, 108/147.21, 148, 149, 150, 151, 152, 108/157.1, 161, 147.19, 64, 136; 297/423.46, 423.44, 423.45; 5/659, 5/503.1, 505.1

CPC A01K 5/00; A01K 5/01; A01K 5/0107; A01K 5/0114; A01K 5/0121; A01K 5/0128; A01K 5/0135; A01K 7/005

See application file for complete search history.

(56) **References Cited**

U.S. PATENT DOCUMENTS

872,498 A * 12/1907 Cleveland A47B 23/046
108/146
1,838,352 A * 12/1931 Anderson A47B 9/14
108/146

2,783,107 A * 2/1957 Gacht A47B 1/00
108/146
2,896,829 A * 7/1959 Bright A47G 23/0641
211/74
3,117,816 A * 1/1964 De Sena A47B 83/008
108/32
3,229,790 A * 1/1966 Shayne F16B 12/50
108/190

(Continued)

OTHER PUBLICATIONS

Kustomwood Pet Feeding Station, https://www.etsy.com/listing/160373387/reclaimed-rustic-pallet-furniture-dog?ref=shop_home_active_36, Sep. 3, 2016, 1 page.*

(Continued)

Primary Examiner — Susan Moon Lee

(74) *Attorney, Agent, or Firm* — Raj Abhyanker, P.C.

(57)

CLAIM

The ornamental design for a dog bowl feeding table, as shown and described.

DESCRIPTION

FIG. 1 is a front left fully exploded perspective view of a dog bowl feeding table showing my new design;

FIG. 2 is another front left fully exploded perspective view thereof;

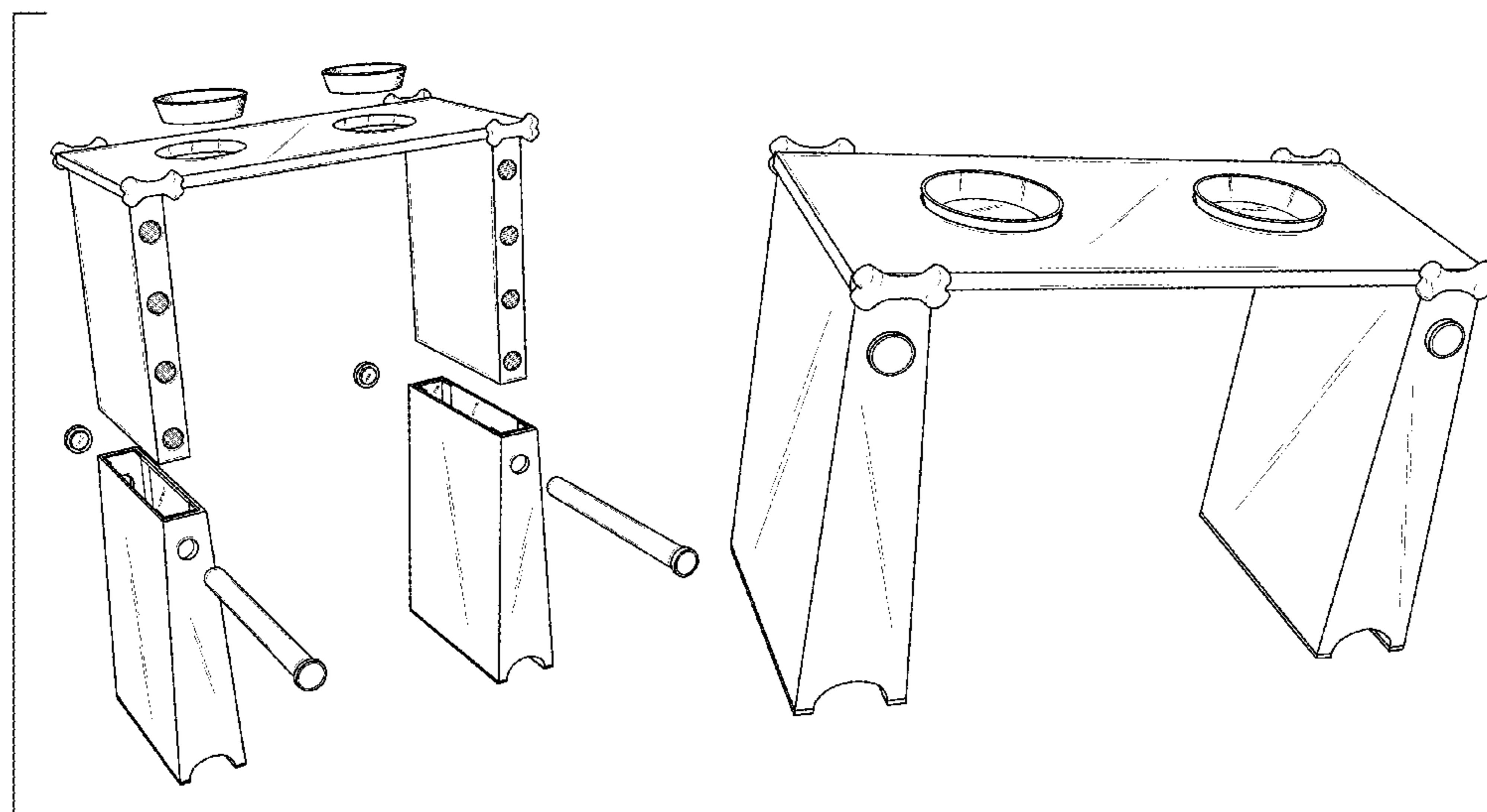
FIG. 3 is a partially exploded left perspective view of the dog bowl feeding table shown in an extended configuration;

FIG. 4 is a partially exploded front perspective view of the dog bowl feeding table shown in another extended configuration; and,

FIG. 5 is a front left perspective view of the dog bowl feeding table shown in a compact configuration.

The appearance of the rear side of both the feeding table component and the base leg sleeves are the same as that of the front.

1 Claim, 5 Drawing Sheets



(56)

References Cited

U.S. PATENT DOCUMENTS

3,651,787 A * 3/1972 Cooper A01K 5/0135
119/51.01
D234,318 S * 2/1975 Starrett 62/458
3,939,986 A * 2/1976 Pierro B60N 3/103
108/44
4,105,091 A * 8/1978 Mahan B25H 1/06
182/151
4,122,918 A * 10/1978 Danks B25H 1/06
182/186.3
4,130,069 A * 12/1978 Evans A47B 9/02
108/136
D255,752 S * 7/1980 Kallstrom D7/552.2
D258,018 S * 1/1981 Venditto 119/51.5
4,658,759 A * 4/1987 Brown A01K 5/0114
119/61.5
4,681,187 A * 7/1987 Brown B25H 1/06
182/129
5,107,775 A * 4/1992 Langlais A47B 9/14
108/147.21
D339,728 S * 9/1993 Lee D8/71
D358,158 S * 5/1995 Bush D16/222
D359,862 S * 7/1995 Rousch D12/419
5,479,852 A * 1/1996 Lloyd A47B 9/14
108/146
D374,517 S * 10/1996 Morrill D30/133
D377,244 S * 1/1997 Steininger D30/133
5,601,036 A * 2/1997 Kieser A47B 9/14
108/107
D383,254 S * 9/1997 Feldman D30/129
D394,766 S * 6/1998 Brandt D6/656.13
D399,067 S * 10/1998 Harrison D6/349
D424,759 S * 5/2000 Sipka D30/130
6,119,605 A * 9/2000 Agee A47B 9/02
108/147
D446,611 S * 8/2001 Gunter 119/51.01
6,510,803 B1 * 1/2003 Agee A47B 9/00
108/147
D478,193 S * 8/2003 Routh D30/131

D506,294 S * 6/2005 Boje D30/133
6,920,986 B2 * 7/2005 Lacombe B25H 3/003
211/70.6
D509,684 S * 9/2005 Judy D6/691.8
D521,690 S * 5/2006 Krcek D30/133
D552,803 S * 10/2007 White D30/133
7,658,267 B1 * 2/2010 Welsh B63C 11/22
108/25
D618,862 S * 6/2010 Shamoan D30/121
8,001,909 B2 * 8/2011 Overgaard et al. A47B 9/06
108/147
D646,440 S * 10/2011 Chance D30/130
D686,784 S * 7/2013 Elliott et al.
D699,402 S * 2/2014 Diskin D30/129
9,226,478 B1 * 1/2016 Uhl A01K 5/0114
2008/0314332 A1 * 12/2008 Jacobs A01K 5/0114
119/709
2014/0060443 A1 * 3/2014 Swift A01K 5/0114
119/61.56
2015/0308615 A1 * 10/2015 Neaves A01K 1/035
119/61.57

OTHER PUBLICATIONS

http://img0126.psstatic.com/180603763_elevated-raised-wood-pet-dog-feeder-two-bowl-2-9quot-jpg.
https://img1.etsystatic.com/013/0/5824913/i1_570xN.430296809_72wu.jpg.
<https://secure.img1.wfrcdn.com/1f/49/hash/21649/25151976/1/PetFusion-PetFusion-Elevated-Pet-Feeder.jpg>.
https://img0.etsystatic.com/020/0/8340346/i1_340x270.541035270_99zm.jpg.
<https://heavyeditorial.files.wordpress.com/2016/02/dexas.jpg?quality=65&strip=all&strip=all>.
<http://www.stopthatdog.com/wp-content/uploads/2016/03/raised-dog-bowl-300x214.jpg>.

* cited by examiner

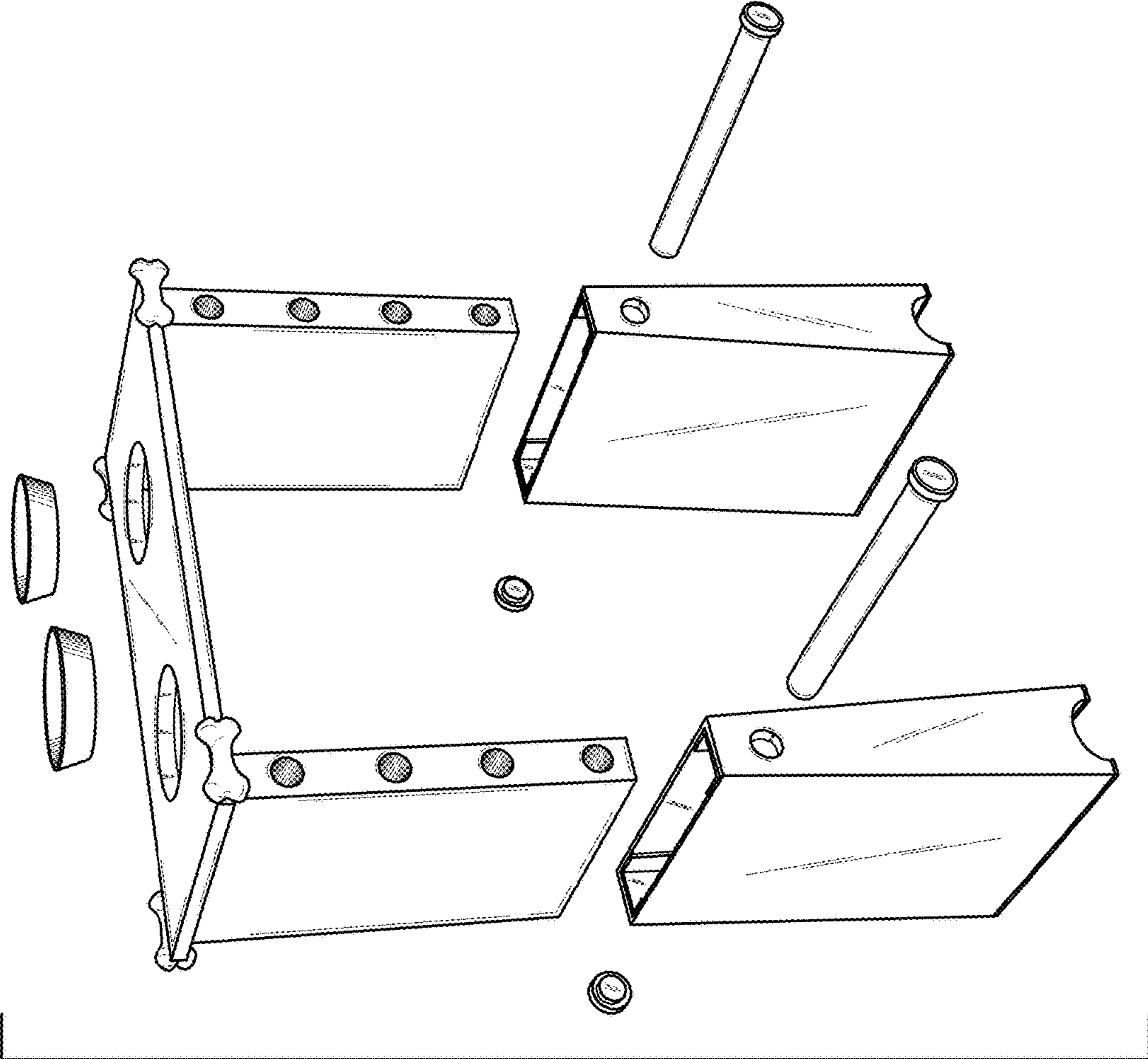


FIG. 1

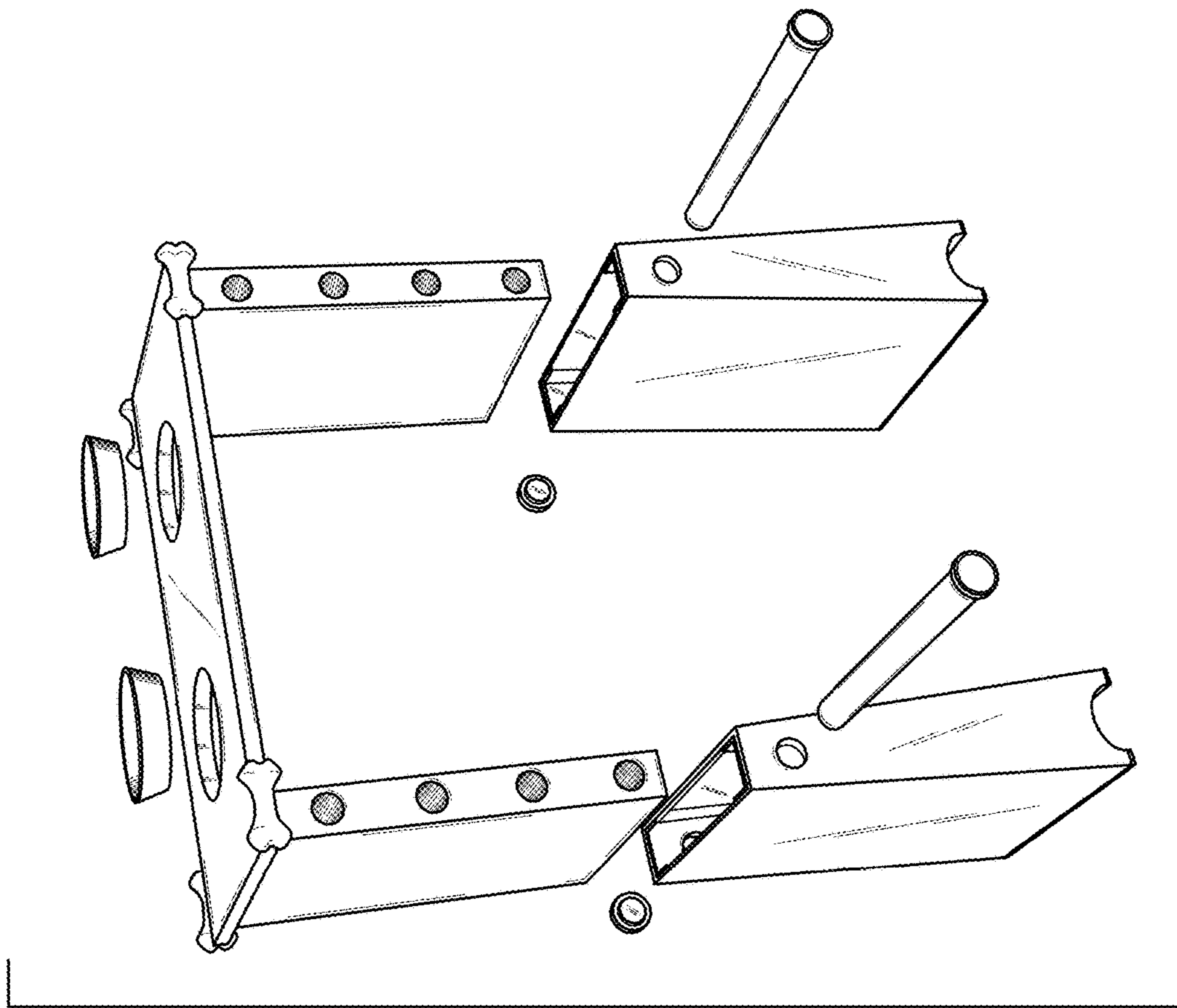


FIG. 2

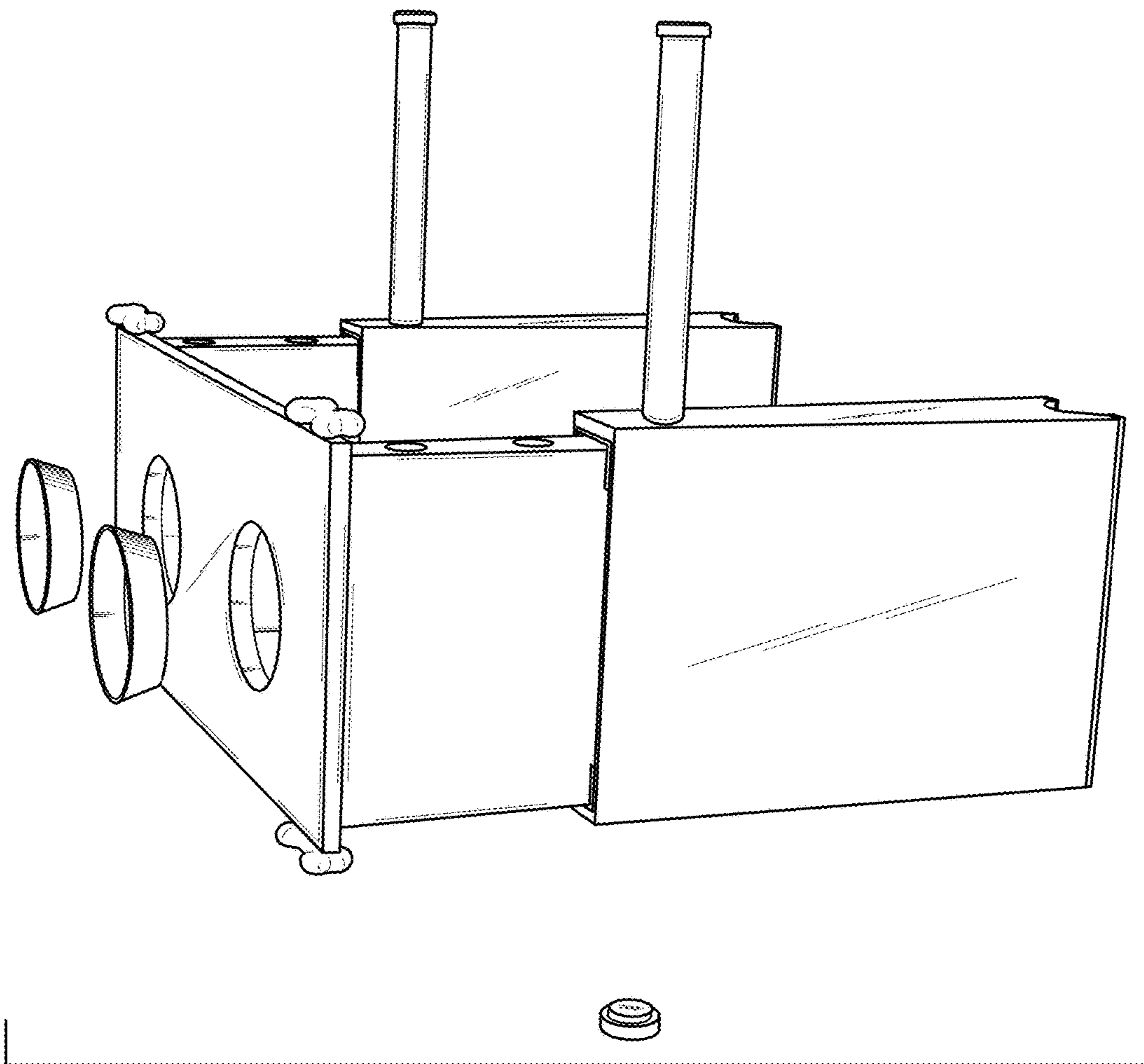


FIG. 3

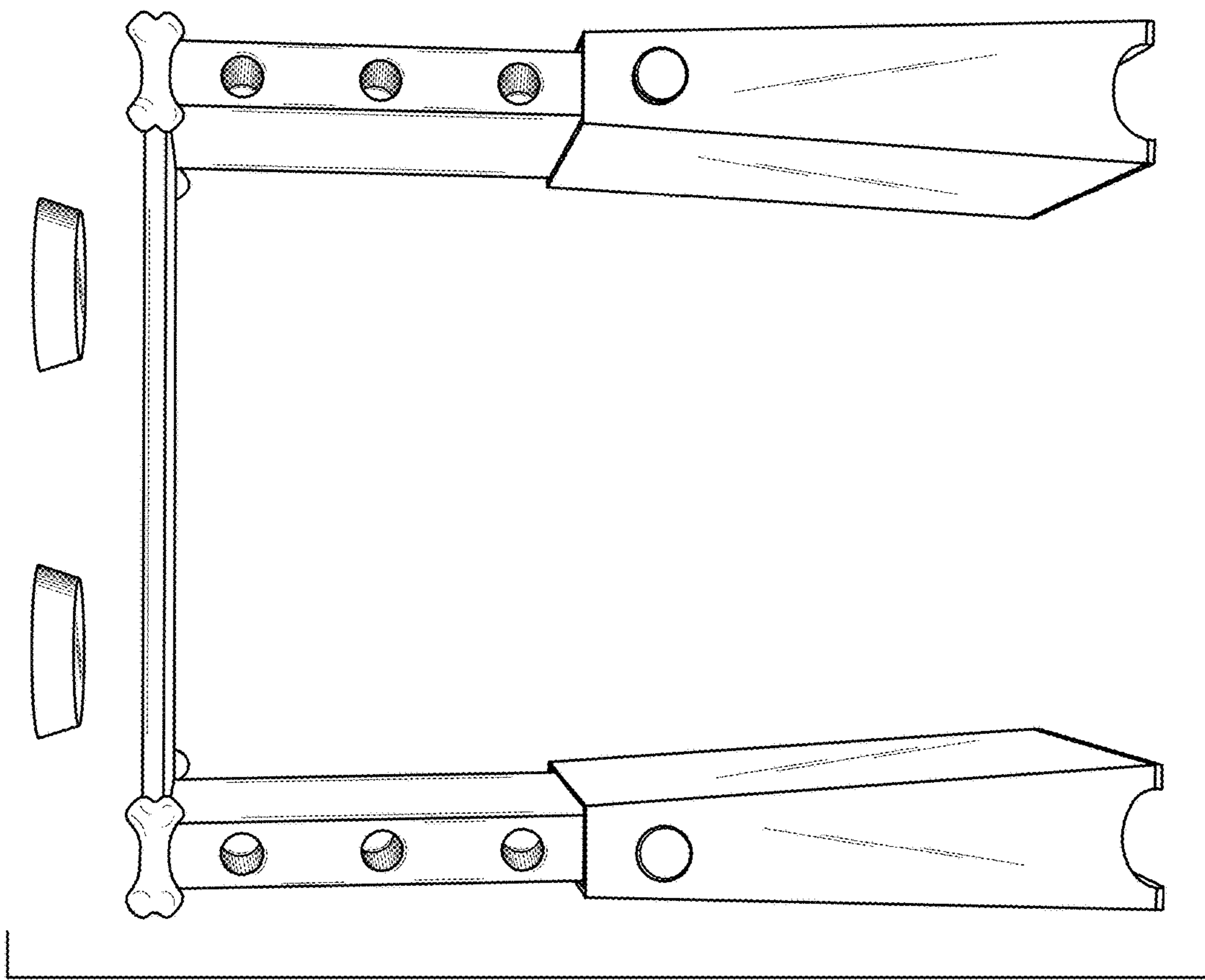


FIG. 4

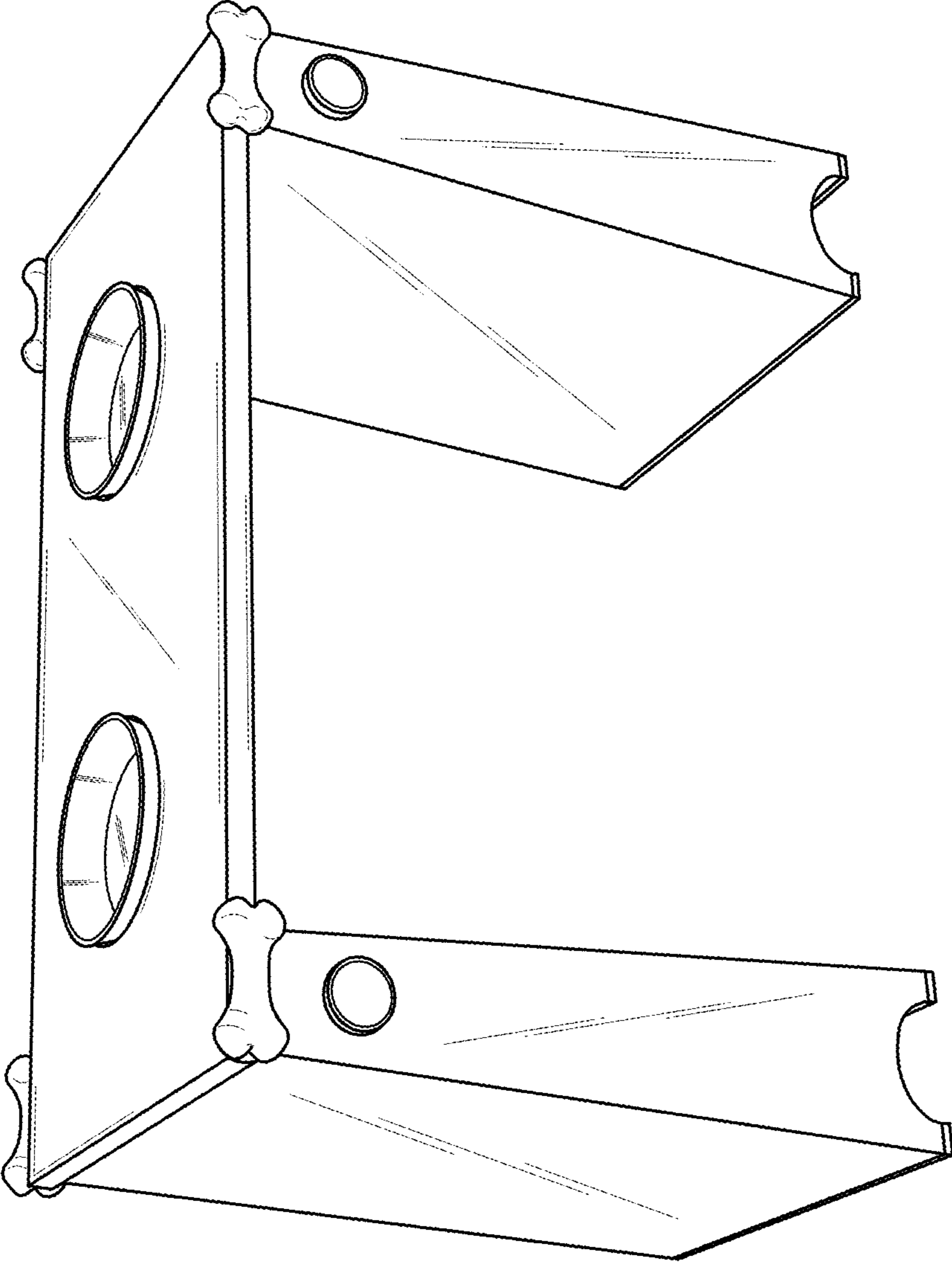


FIG. 5