



US00D787130S

(12) **United States Design Patent** (10) **Patent No.:** **US D787,130 S**
Tokko (45) **Date of Patent:** **** May 16, 2017**

(54) **HAIR EXTENSION WITH GROOVED TIP**

(71) Applicant: **Ryan Tokko**, Los Angeles, CA (US)

(72) Inventor: **Ryan Tokko**, Los Angeles, CA (US)

(**) Term: **15 Years**

(21) Appl. No.: **29/539,013**

(22) Filed: **Sep. 10, 2015**

(51) **LOC (10) Cl.** **28-04**

(52) **U.S. Cl.**
USPC **D28/93**; D28/92

(58) **Field of Classification Search**
USPC D28/39-43, 92, 93; D1/128; D30/159
CPC A41G 3/008; A41G 5/004; A41G 5/0046;
A41G 5/005; A41G 5/008; A41G 5/00;
A41G 5/0073; A41G 5/0086; A41G 3/00;
A41G 3/0066
See application file for complete search history.

(56) **References Cited**

U.S. PATENT DOCUMENTS

D308,583	S	*	6/1990	McCarthy	D28/25
D353,915	S	*	12/1994	Lanne	D28/31
D446,223	S	*	8/2001	Edwards	D15/29
D447,286	S	*	8/2001	Diaz	D28/92
D685,135	S	*	6/2013	Jazwinski	D28/92
D696,698	S	*	12/2013	Clendenning	D15/28
D699,903	S	*	2/2014	Singer	D30/159
D704,893	S	*	5/2014	Dierker	D28/93
2003/0075196	A1	*	4/2003	Fair	A41G 5/004 132/201
2005/0268932	A1	*	12/2005	Gold	A41G 5/0046 132/201
2008/0163882	A1	*	7/2008	Owens	A41G 5/0046 132/201
2011/0056507	A1	*	3/2011	Tokko	A41G 5/008 132/201

2011/0197908	A1	*	8/2011	Waters	A41G 5/0073 132/201
2011/0253165	A1	*	10/2011	Kenna	A41G 5/0073 132/273
2014/0261529	A1	*	9/2014	Carvalho	A41G 5/0073 132/276

(Continued)

FOREIGN PATENT DOCUMENTS

JP	4744726	B2	*	8/2011	A41G 5/00
JP	5135478	B1	*	2/2013	A45D 8/22

OTHER PUBLICATIONS

Donna Bella Hair, Grooved Beads—Black, no posted date, customer review date Dec. 31, 2013, [online], [site visited on Aug. 8, 2016]. Available on Internet, <URL:http://www.donnabellahair.com/grooved-beads/grooved-beads-black/>.*

Primary Examiner — Sheryl Lane
Assistant Examiner — Samantha Wood
(74) *Attorney, Agent, or Firm* — Chanmin Park

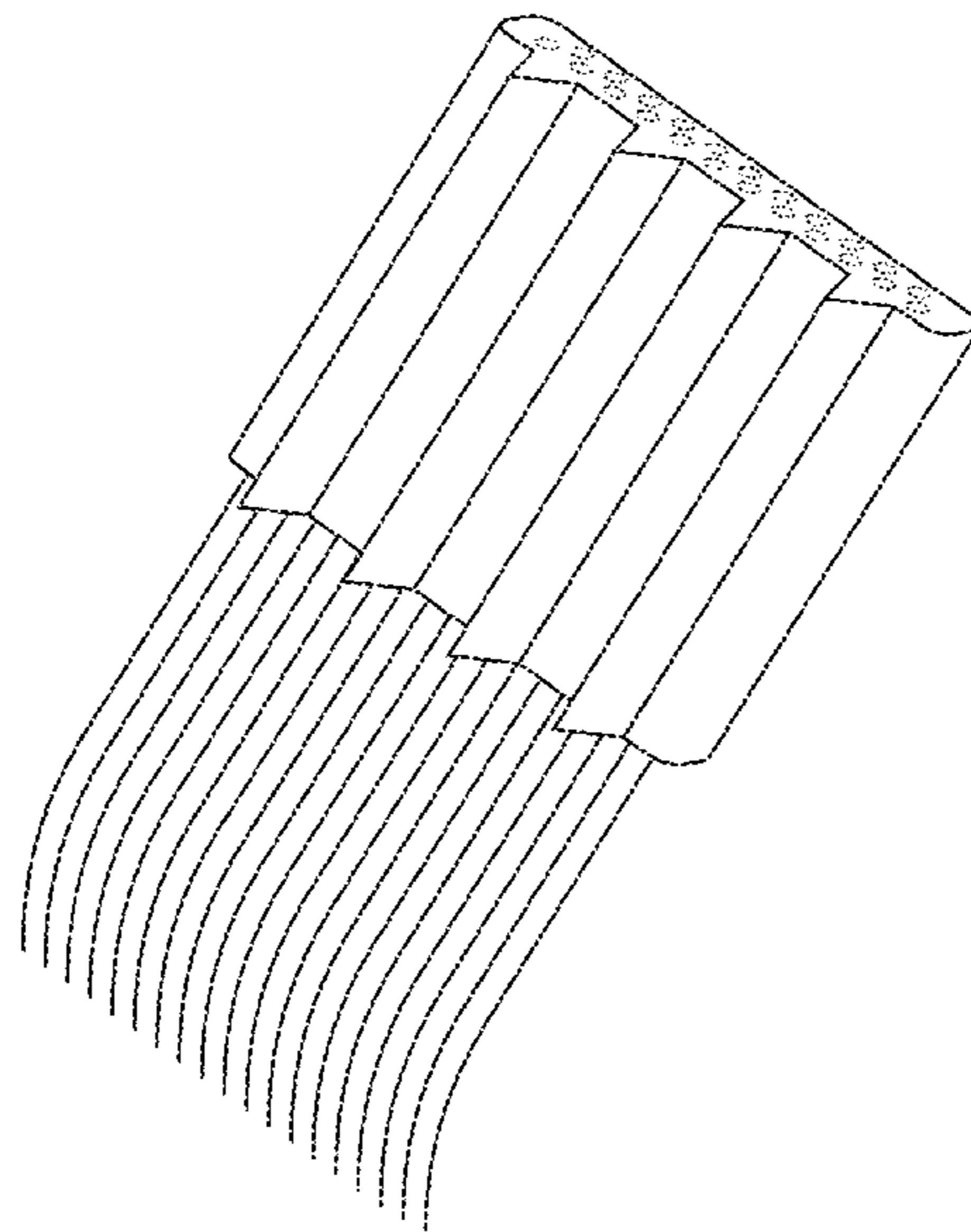
(57) **CLAIM**

The ornamental design for a hair extension with grooved tip.

DESCRIPTION

FIG. 1 is a top plan view of a hair extension with grooved tip showing my design;
FIG. 2 is a bottom plan view thereof;
FIG. 3 is a right side-elevation view thereof;
FIG. 4 is a left side-elevation view thereof;
FIG. 5 is a front elevation view thereof;
FIG. 6 is a rear elevation view thereof; and
FIG. 7 is a perspective view thereof; and,
FIG. 8 is a perspective view thereof with the entire extension hair shown.
In FIGS. 1-7, for clarity of illustrating the grooved tip, strands of extension hair are partially illustrated.
The broken lines in FIGS. 4 and 7 illustrate holes and form no part of the claimed design.

1 Claim, 8 Drawing Sheets



(56)

References Cited

U.S. PATENT DOCUMENTS

2014/0338689 A1* 11/2014 Shuttleworth A41G 5/0066
132/201
2015/0013708 A1* 1/2015 Chamberlain A41G 3/005
132/54
2015/0083154 A1* 3/2015 Lindsay A41G 5/0066
132/201

* cited by examiner

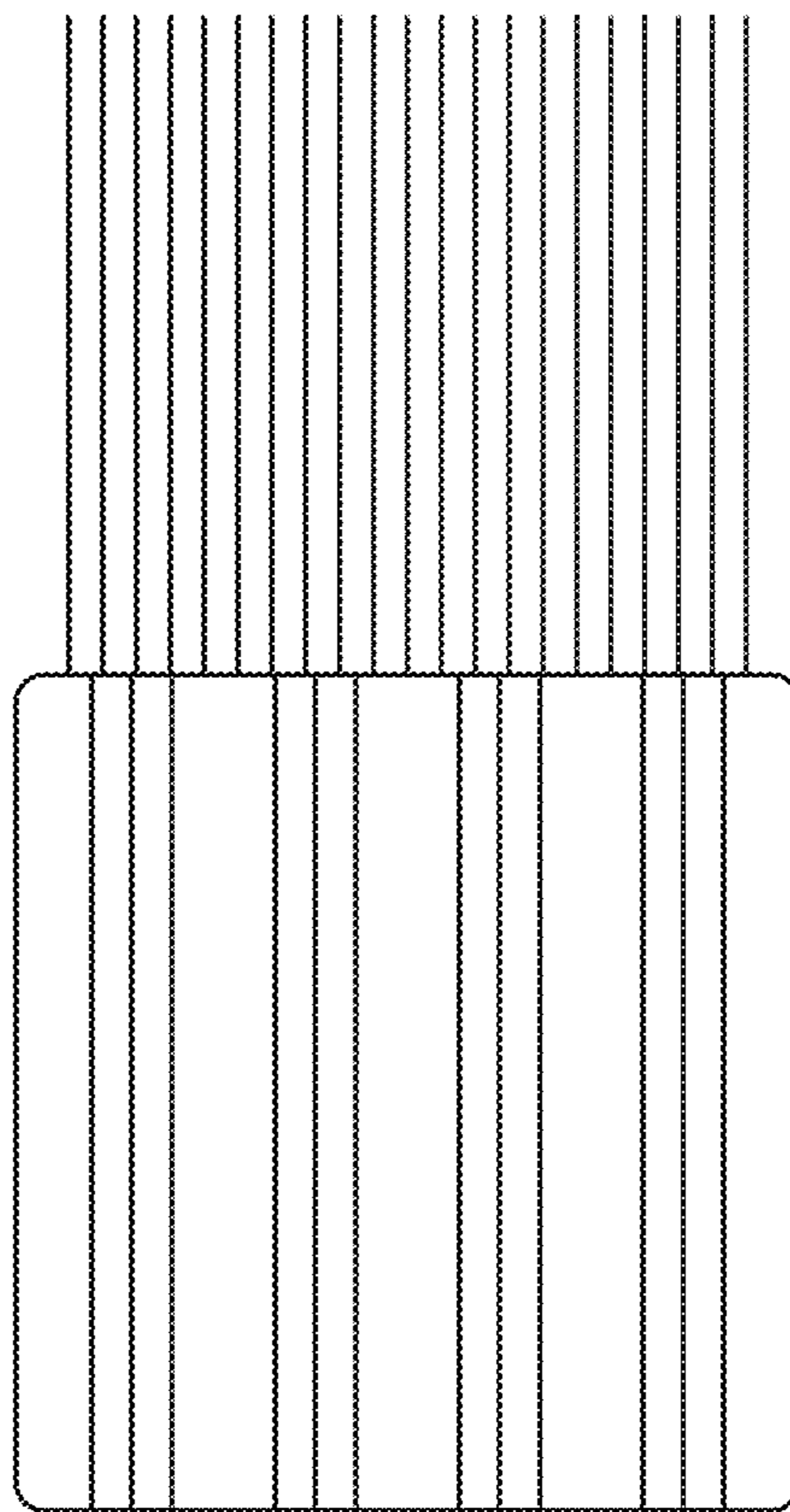


FIG. 1

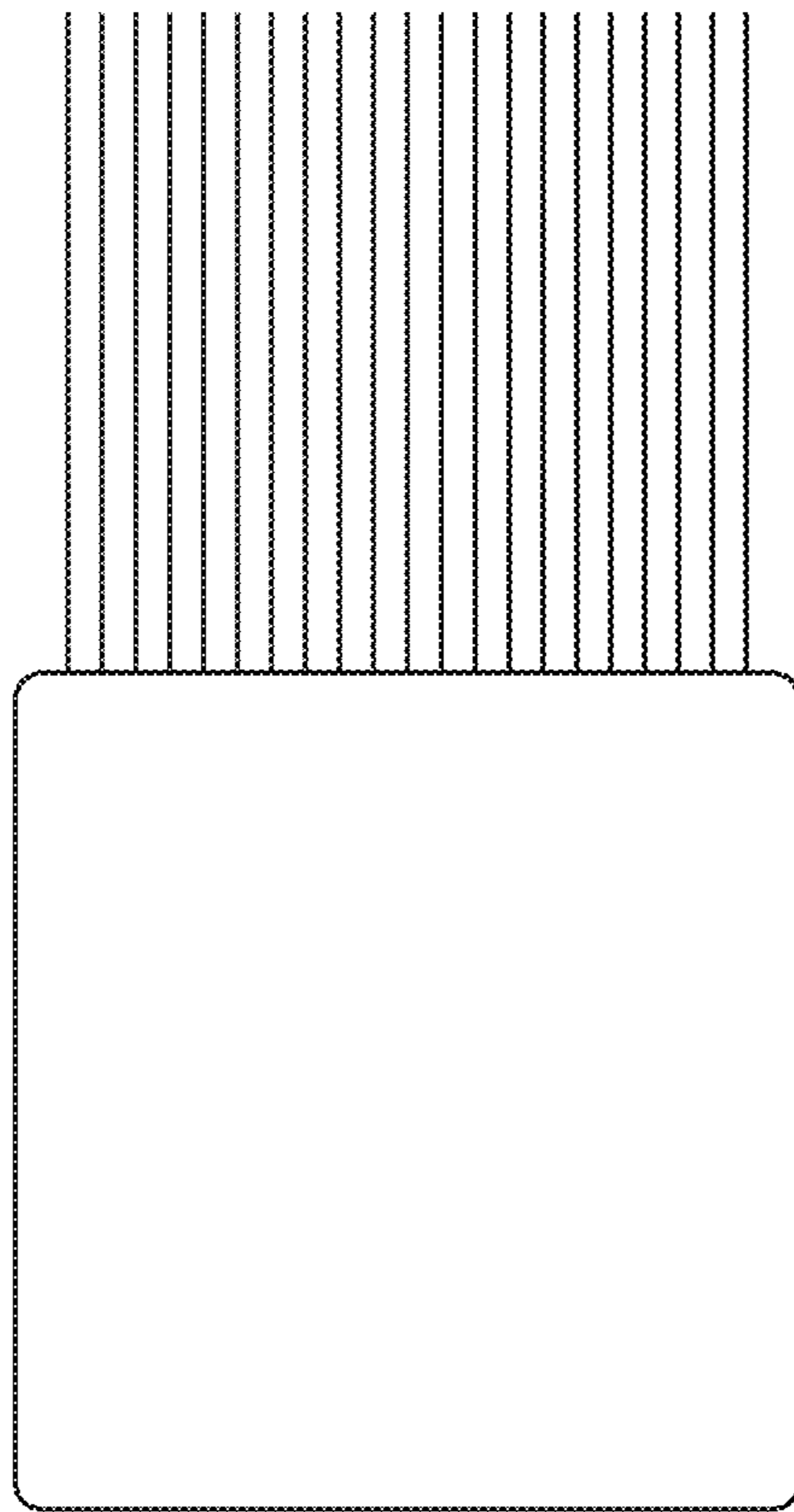


FIG. 2



FIG. 3



FIG. 4

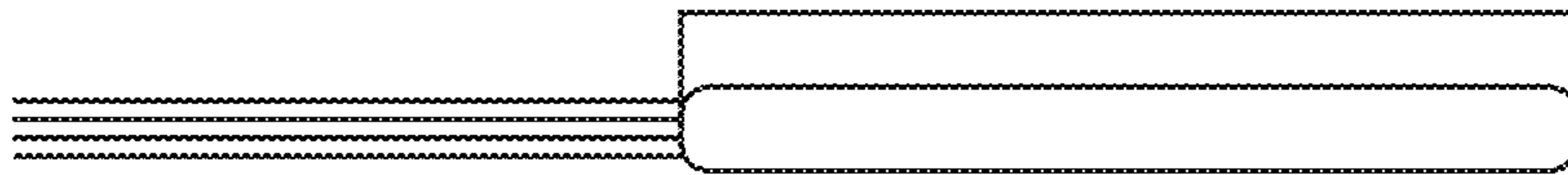


FIG. 5



FIG. 6

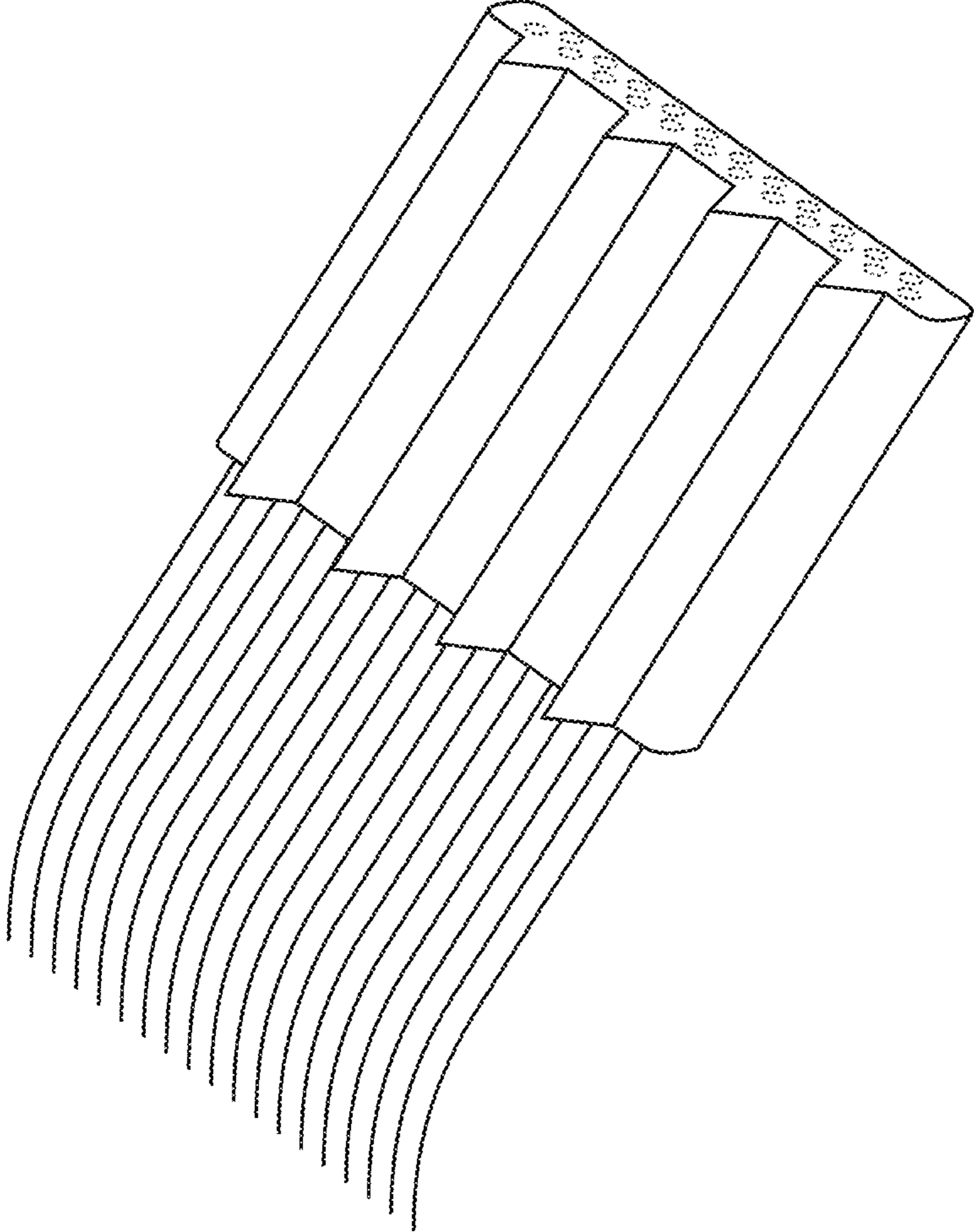


FIG. 7

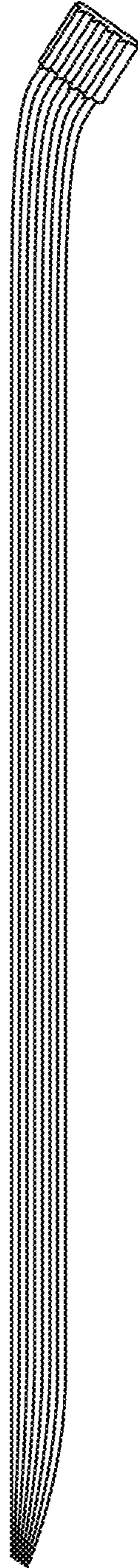


FIG. 8