



US00D787122S

(12) **United States Design Patent** (10) **Patent No.:** **US D787,122 S**  
**Chen** (45) **Date of Patent:** **\*\* May 16, 2017**

(54) **HAIR STRAIGHTENER WITH MIST GENERATOR**

2015/0335126 A1\* 11/2015 Serres-Vives ..... A45D 1/04  
132/221

\* cited by examiner

(71) Applicant: **Amaxy, Inc.**, La Jolla, CA (US)

*Primary Examiner* — Jennifer Rivard

(72) Inventor: **Shirong Chen**, Wenling (CN)

(74) *Attorney, Agent, or Firm* — Buche & Associates, P.C.; John K. Buche; Bryce A. Johnson

(\*\*) Term: **15 Years**

(57) **CLAIM**

The ornamental design for a hair straightener with mist generator, as shown and described.

(21) Appl. No.: **29/542,771**

**DESCRIPTION**

(22) Filed: **Oct. 16, 2015**

(51) **LOC (10) Cl.** ..... **28-03**

FIG. 1 is a perspective view of the hair straightener with mist generator;

(52) **U.S. Cl.**

FIG. 2 is a left-side view of the hair straightener with mist generator;

USPC ..... **D28/35**

(58) **Field of Classification Search**

FIG. 3 is a right-side view of the hair straightener with mist generator;

USPC ..... D28/35, 37-38

FIG. 4 is a front view of the hair straightener with mist generator;

CPC ... A45D 1/00-1/28; A45D 2/00-2/001; A45D

2002/006; A45D 2002/007; A45D

2/12-2/125; A45D 2/04; A45D 2/06;

A45D 2/38; A45D 2/40; A45D 4/00-4/18;

A45D 6/00-6/20; A45D 20/48-20/525

See application file for complete search history.

FIG. 5 is a back view of the hair straightener with mist generator;

FIG. 6 is a top view of the hair straightener with mist generator;

FIG. 7 is a bottom view of the hair straightener with mist generator; and,

FIG. 8 is an environmental view of the hair straightener with mist generator.

The broken-lines shown in the drawings illustrate portions of the hair straightener with mist generator and form no part of the claimed design.

(56) **References Cited**

**U.S. PATENT DOCUMENTS**

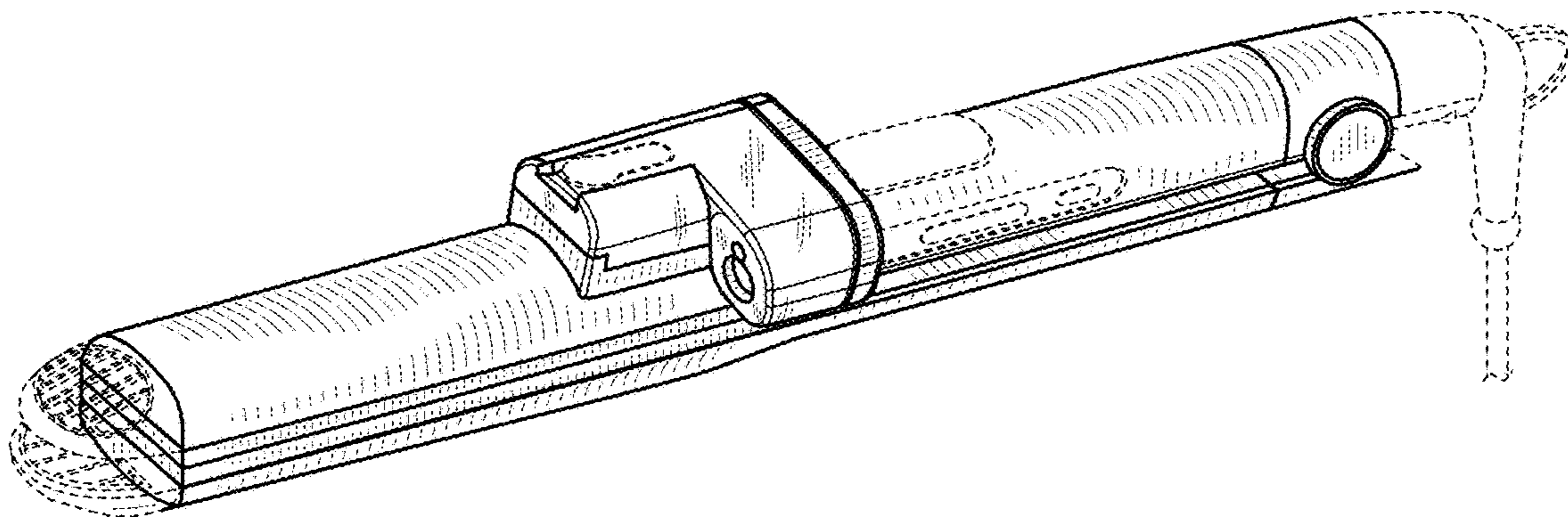
D537,982 S \* 3/2007 Kim ..... D28/35

D651,742 S \* 1/2012 Kim ..... D28/35

2009/0188516 A1\* 7/2009 Catini ..... A45D 1/02

132/269

**1 Claim, 4 Drawing Sheets**



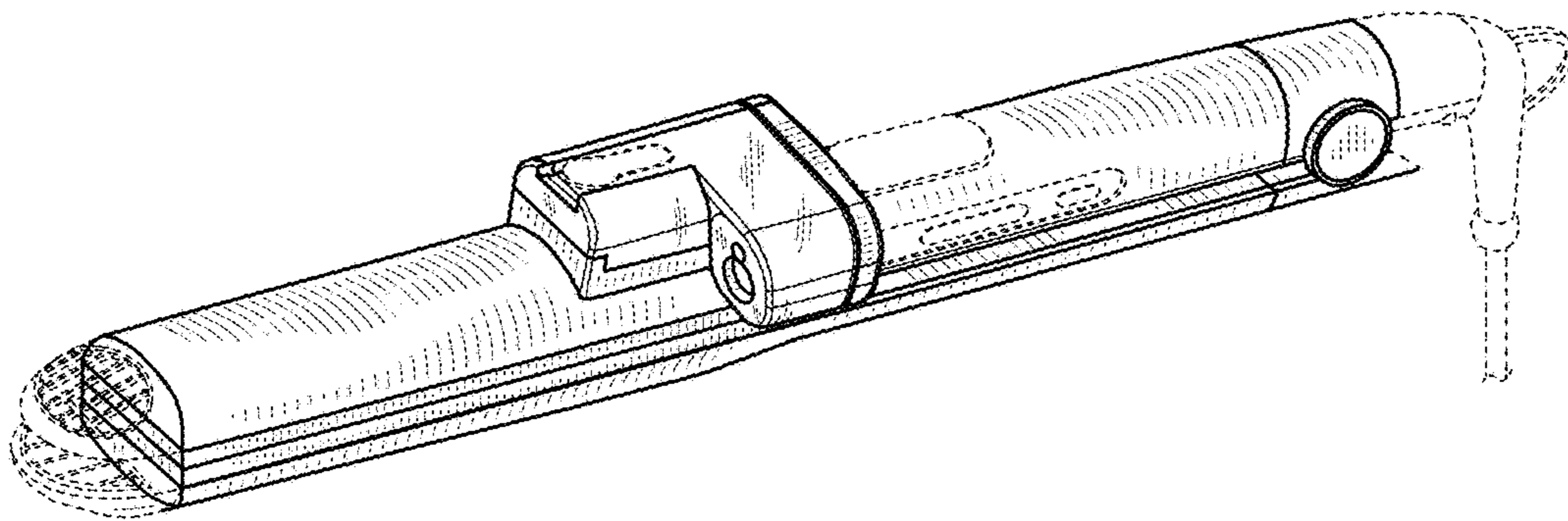


FIG. 1

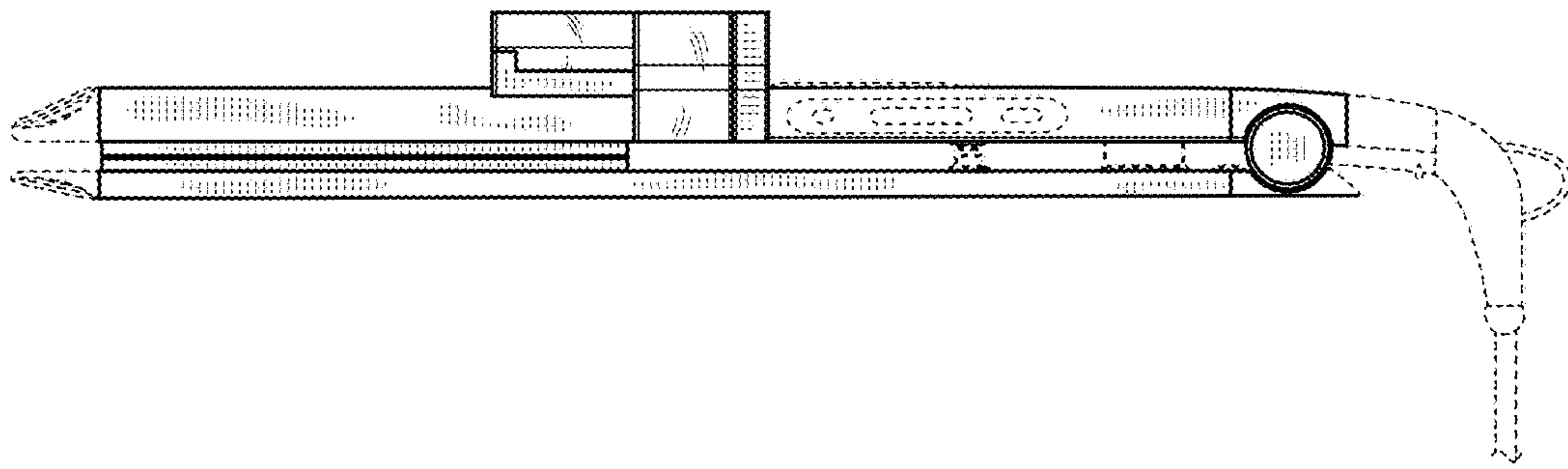


FIG. 2

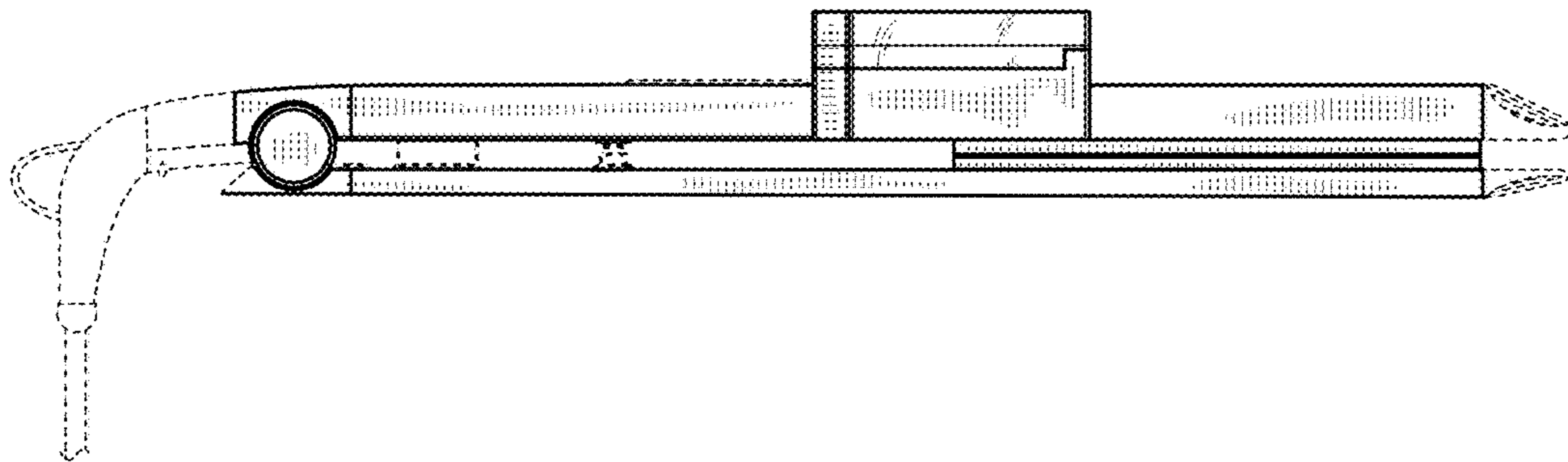


FIG. 3

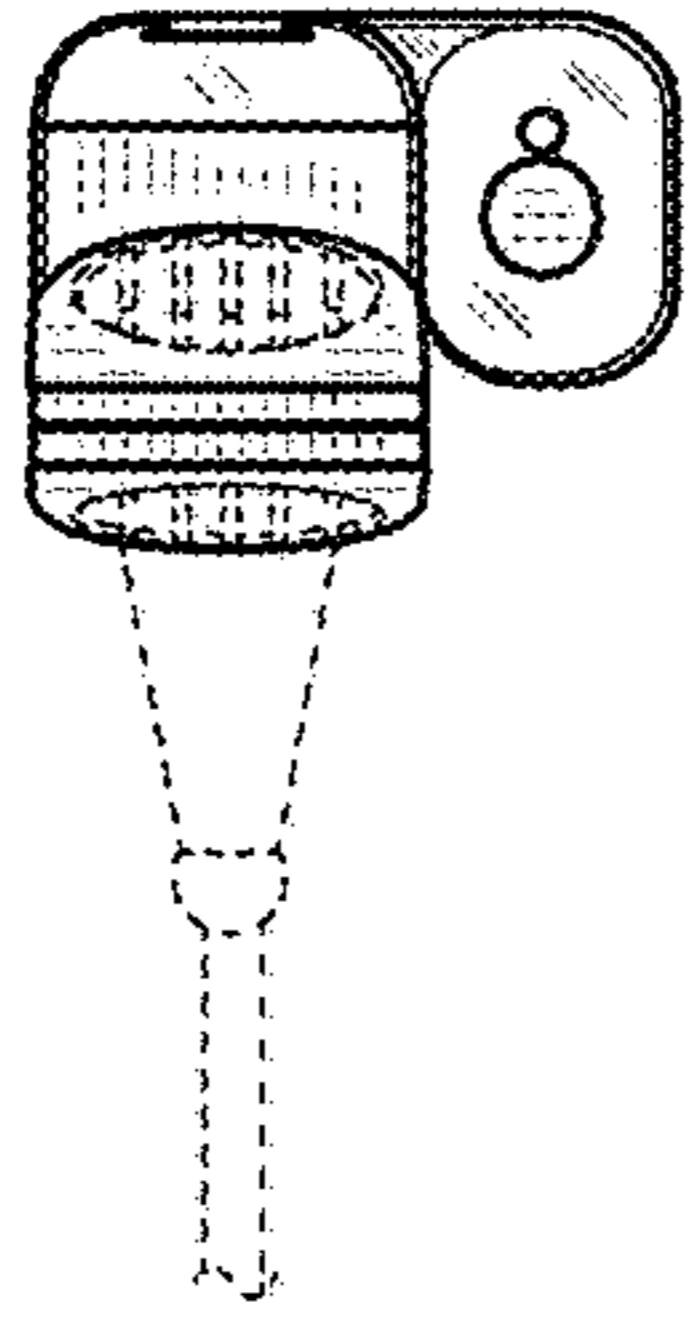


FIG. 4

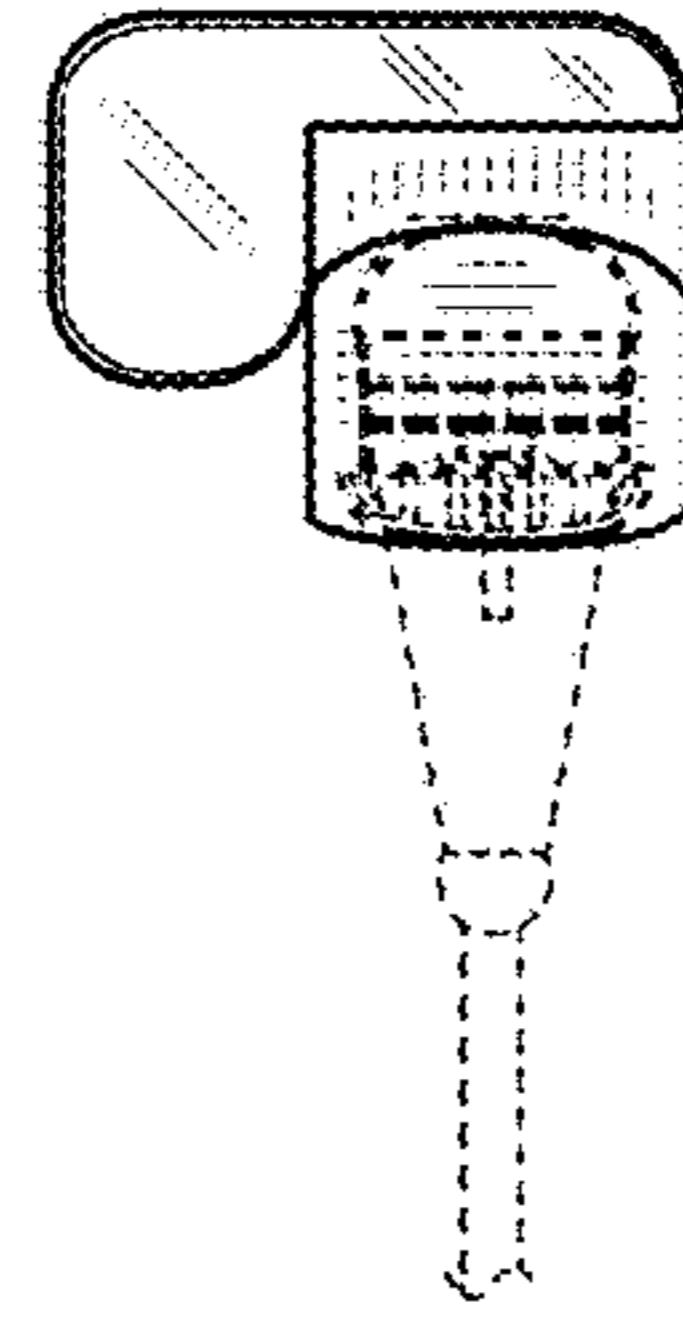


FIG. 5

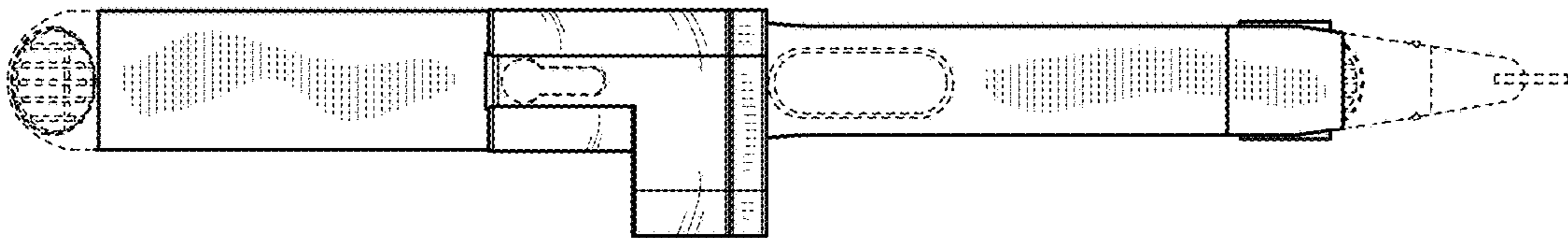


FIG. 6

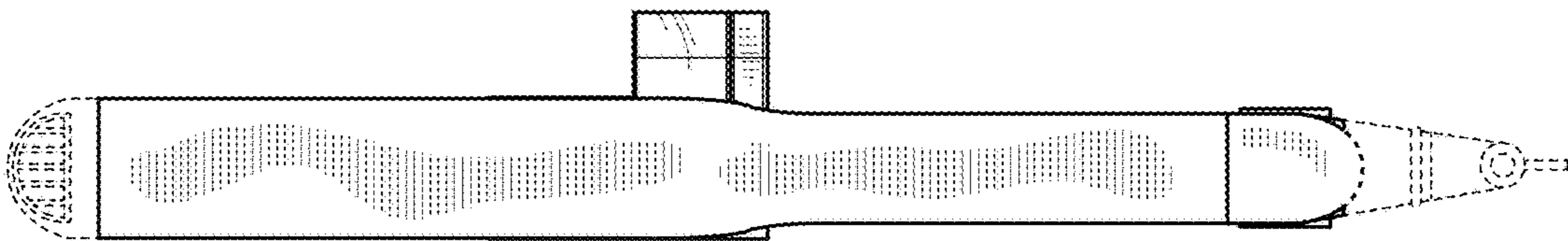


FIG. 7

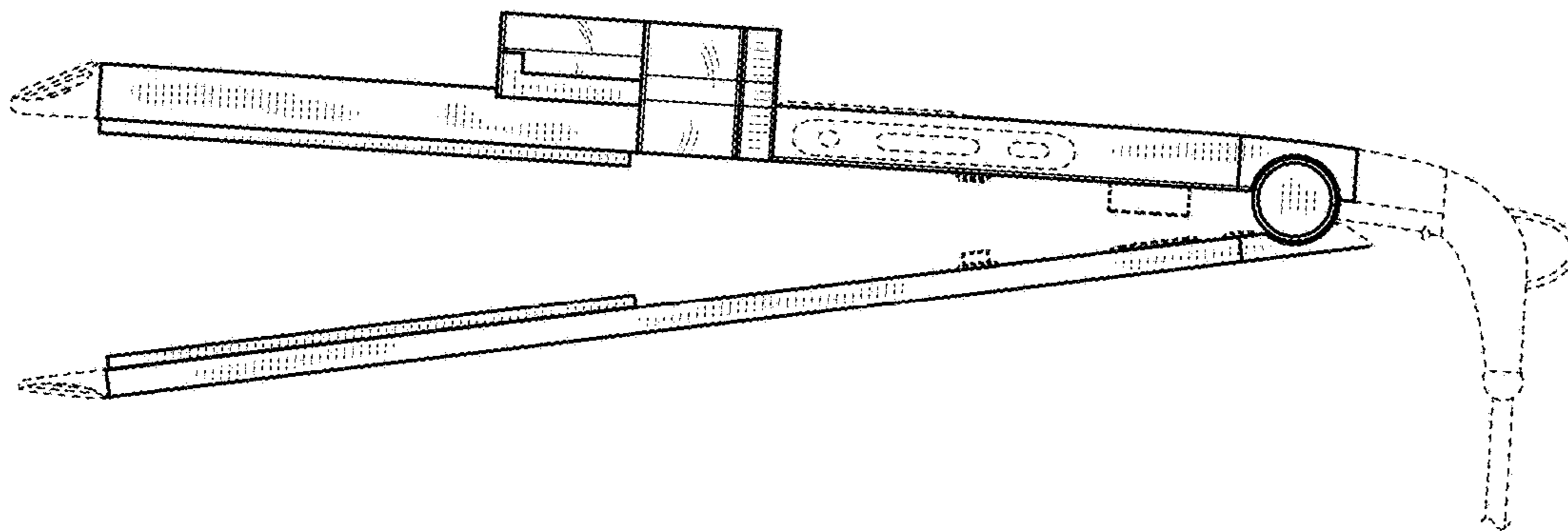


FIG. 8