



US00D787113S

(12) **United States Design Patent** (10) **Patent No.:** **US D787,113 S**
Torres (45) **Date of Patent:** **** May 16, 2017**

(54) **SUSPENDABLE LIGHT FIXTURE**
(71) Applicant: **Milyon, LLC**, Pipersville, PA (US)
(72) Inventor: **Roman Torres**, Philadelphia, PA (US)
(73) Assignee: **Milyon, LLC**, Pipersville, PA (US)
(**) Term: **15 Years**
(21) Appl. No.: **29/541,634**
(22) Filed: **Oct. 6, 2015**
(51) **LOC (10) Cl.** **26-99**
(52) **U.S. Cl.**
USPC **D26/138**
(58) **Field of Classification Search**
USPC D26/72, 75, 78, 79, 81, 83, 87, 93, 102,
D26/104, 105, 106, 107, 108, 109, 110;
D14/216, 218, 455; D13/108, 168, 162
CPC ... F21V 19/00; F21V 14/06; F21S 8/00; F21S
48/1159; F21S 48/328; F21S 48/215;
B60Q 1/076; F21Y 2101/00
See application file for complete search history.

D590,101 S * 4/2009 Hsu D14/216
D590,982 S * 4/2009 Benensohn D26/79
D617,035 S * 6/2010 Sabernig D26/79
D621,287 S * 8/2010 Kaneko D10/106.5
D631,730 S * 2/2011 Skillman D8/356
D655,686 S * 3/2012 Miu D14/170
D656,895 S * 4/2012 Fitch D13/108
D681,258 S * 4/2013 Chiang D26/106
D692,293 S * 10/2013 Toscani D8/356
D700,168 S * 2/2014 Bolton D14/216
D722,959 S * 2/2015 Bulgarov D13/108
D733,098 S * 6/2015 Takamoto D14/215
D748,575 S * 2/2016 Bulgarov D13/108
2016/0102826 A1* 4/2016 Torres F21S 8/06
362/191

* cited by examiner

Primary Examiner — John Windmuller
Assistant Examiner — Benjamin Weeks
(74) *Attorney, Agent, or Firm* — Christopher & Weisberg,
P.A.

(57) **CLAIM**

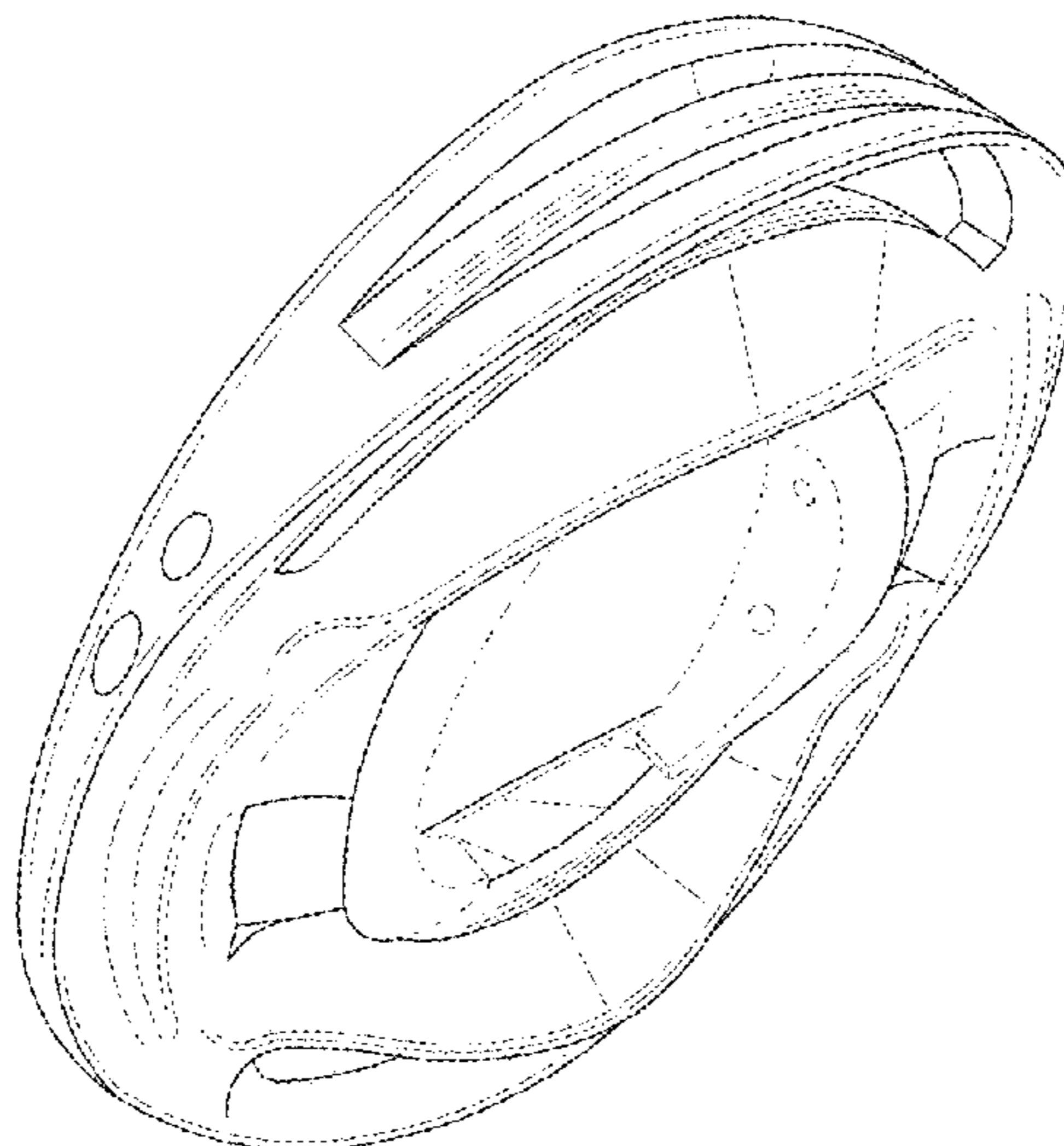
The ornamental design for a suspendable light fixture, as shown.

DESCRIPTION

FIG. 1 is front perspective view of a suspendable light fixture;
FIG. 2 is a back perspective view thereof;
FIG. 3 is a top view thereof;
FIG. 4 is a bottom view thereof;
FIG. 5 is a left side view thereof;
FIG. 6 is a right side view thereof;
FIG. 7 is a front view thereof; and,
FIG. 8 is a back view thereof.
The dash-dash broken lines form no part of the claimed design.

1 Claim, 6 Drawing Sheets

(56) **References Cited**
U.S. PATENT DOCUMENTS
D322,686 S * 12/1991 Huen D26/104
D369,427 S * 4/1996 Vakil D26/79
D508,458 S * 8/2005 Solland D13/108
D509,183 S * 9/2005 Solland D13/108
D514,247 S * 1/2006 Suzuki D26/106
D536,665 S * 2/2007 Solland D13/108
D547,304 S * 7/2007 Francz D14/218
D550,214 S * 9/2007 Francz D14/218
D551,660 S * 9/2007 Francz D14/218
D553,122 S * 10/2007 Solland D14/217
D583,775 S * 12/2008 Knoch D13/168
D586,331 S * 2/2009 Francz D14/218



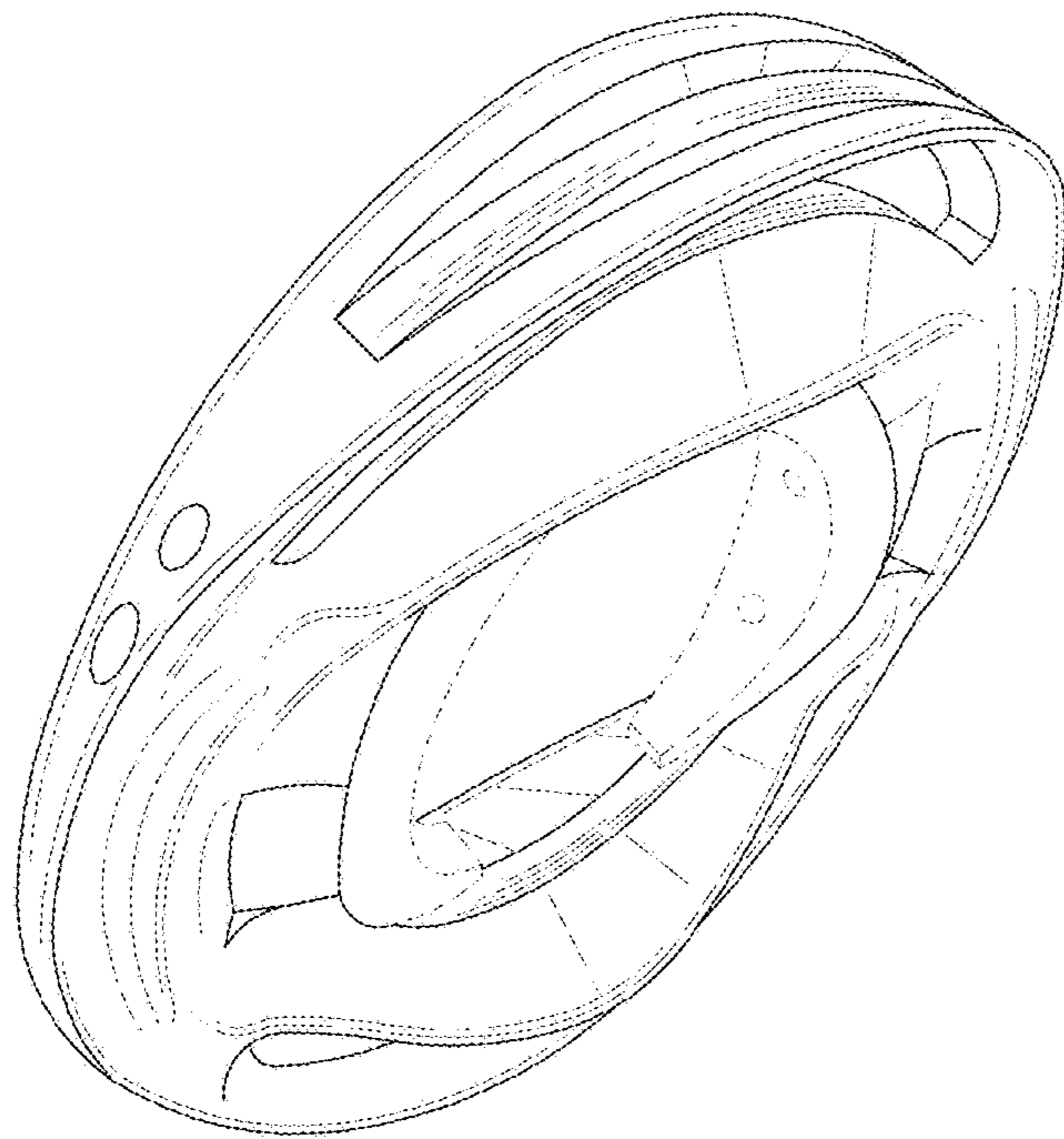


FIG. 1

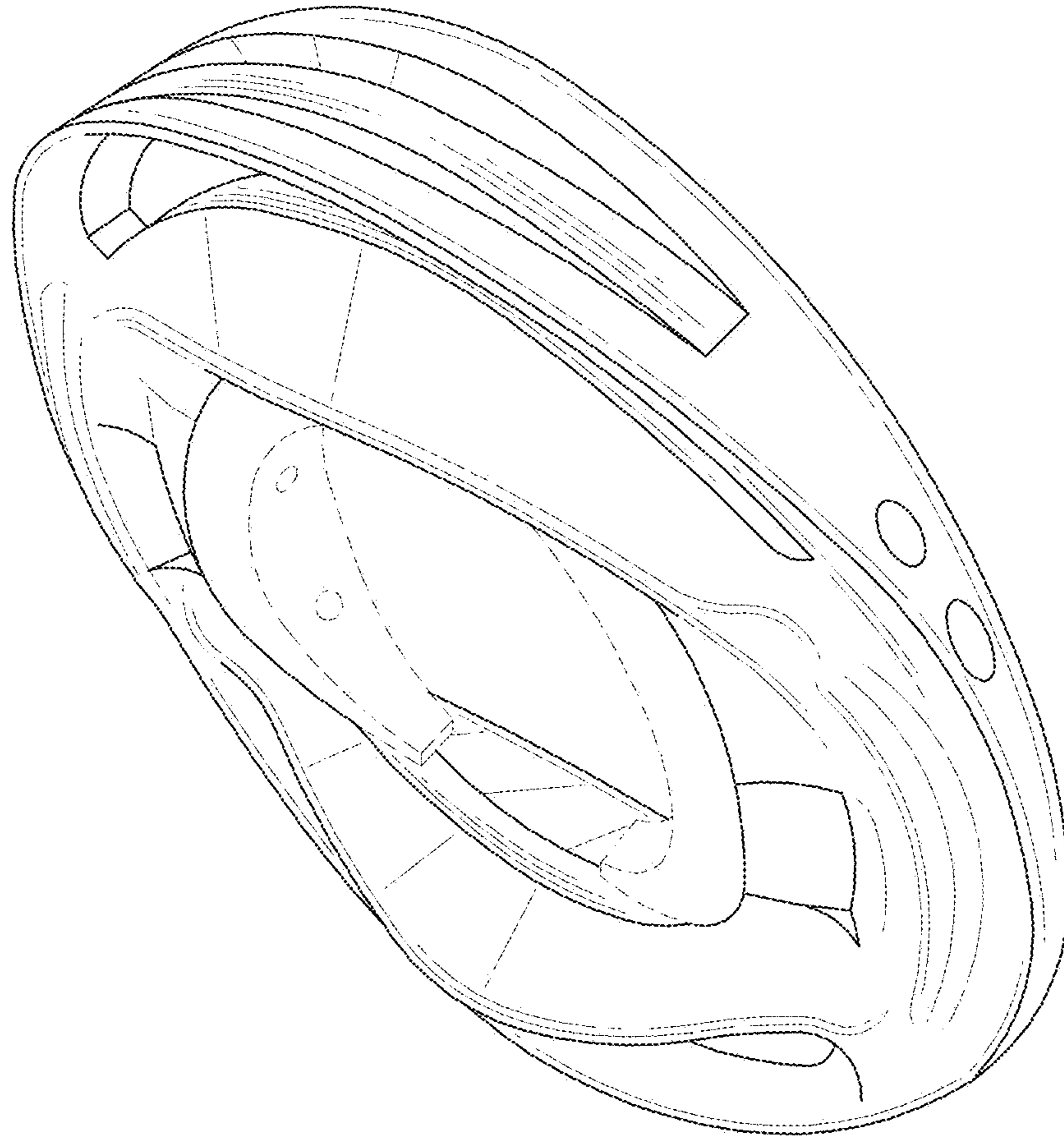


FIG. 2

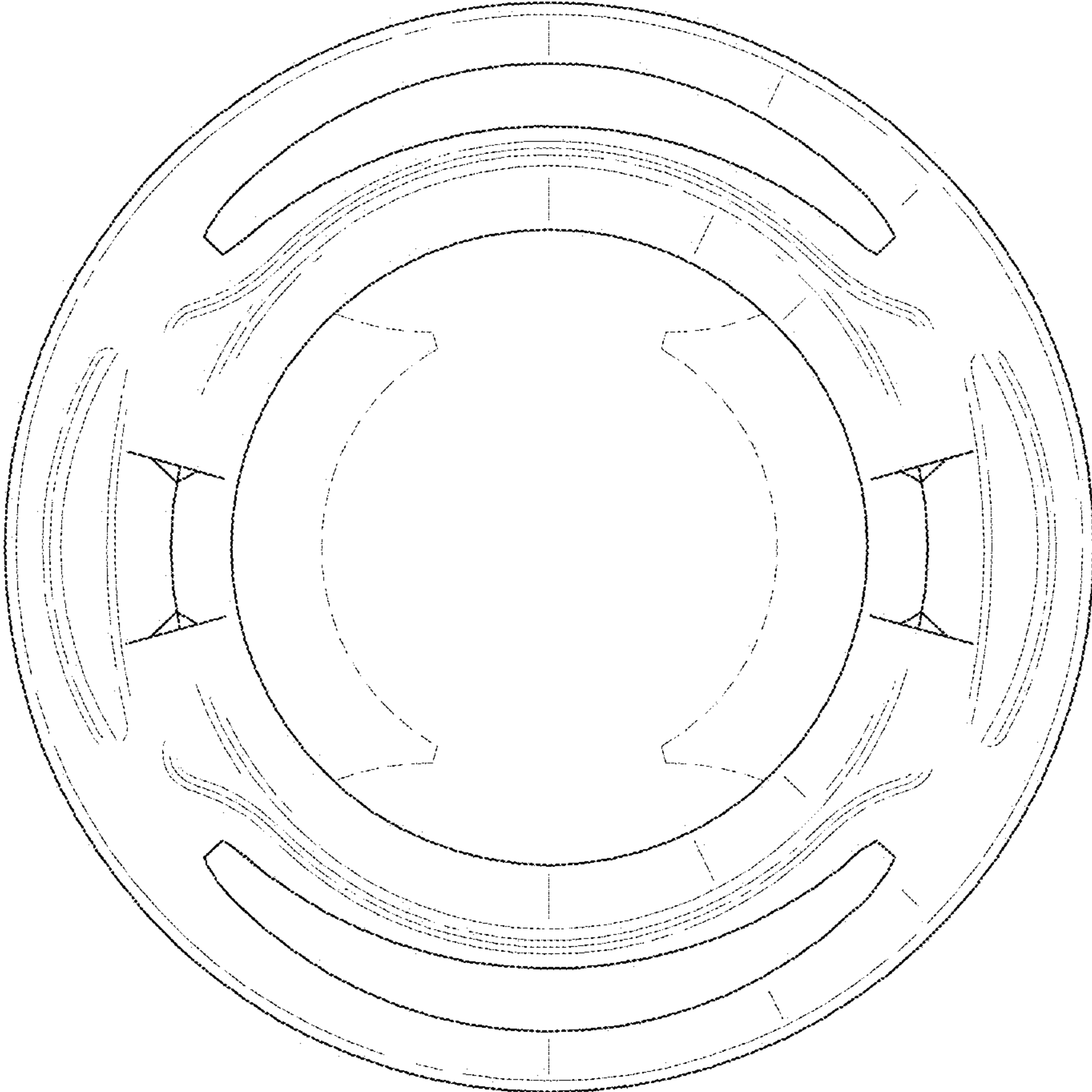


FIG. 3

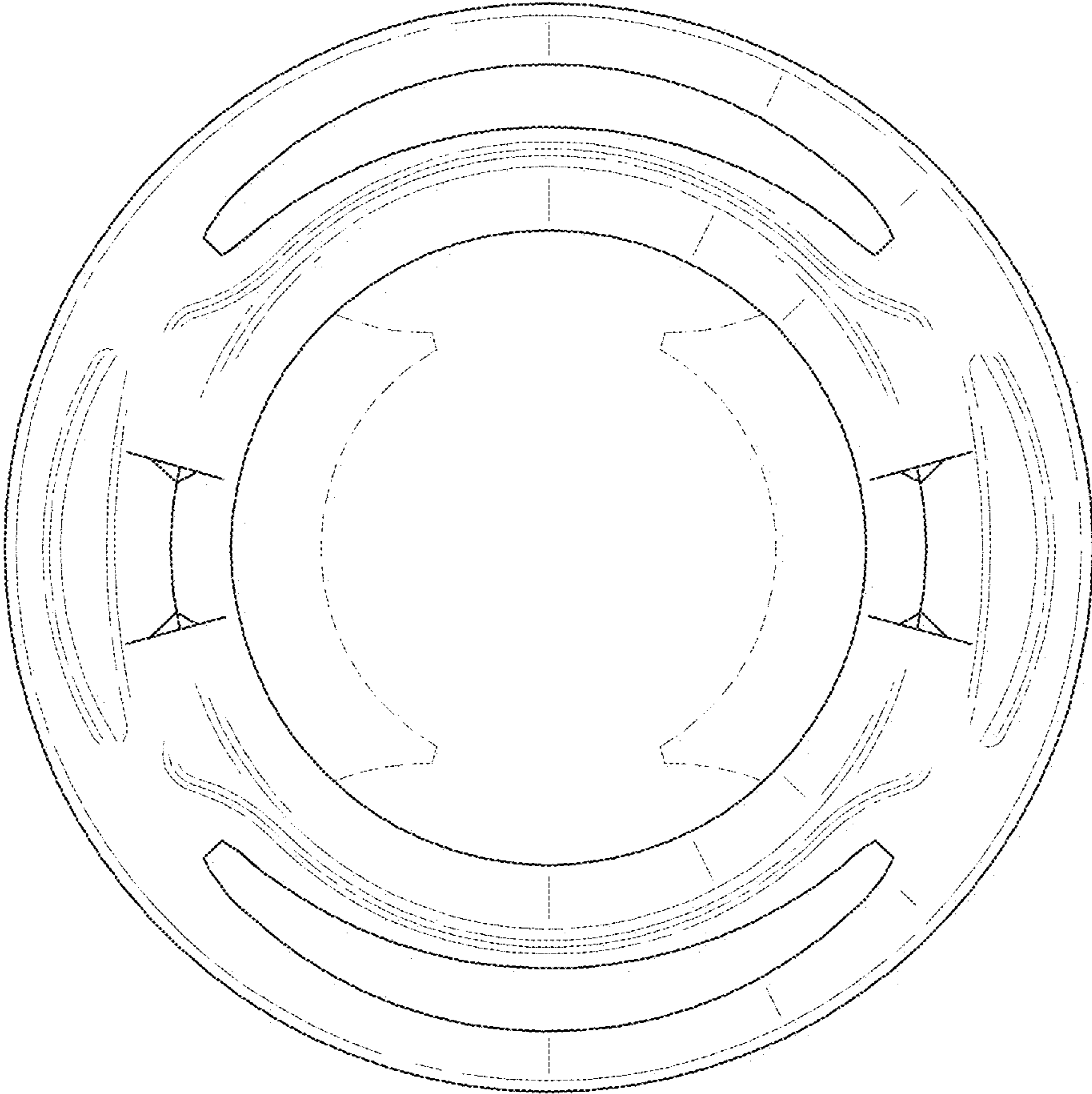


FIG. 4

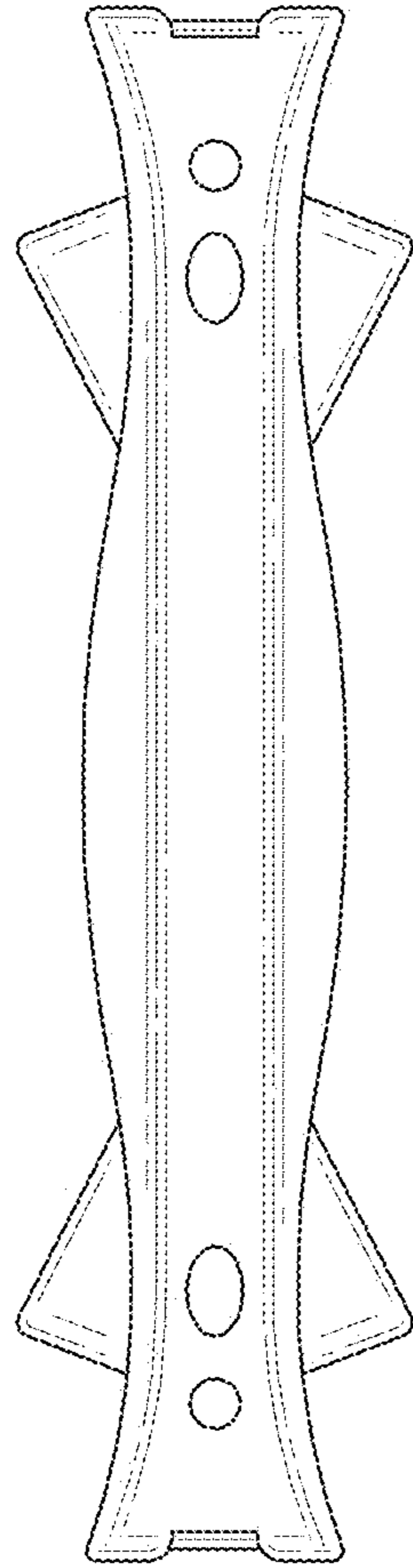


FIG. 5

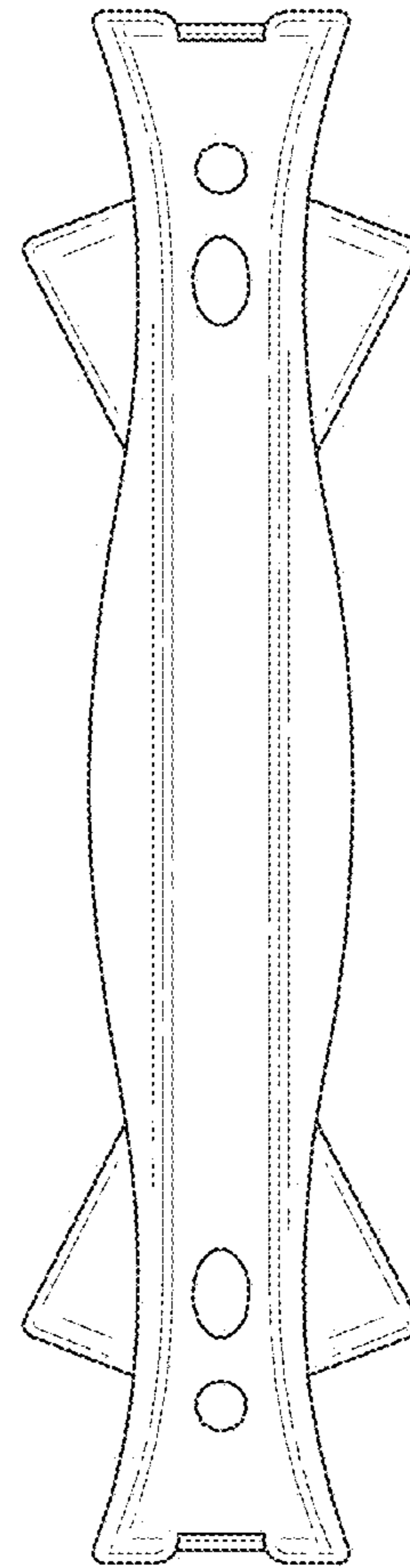


FIG. 6

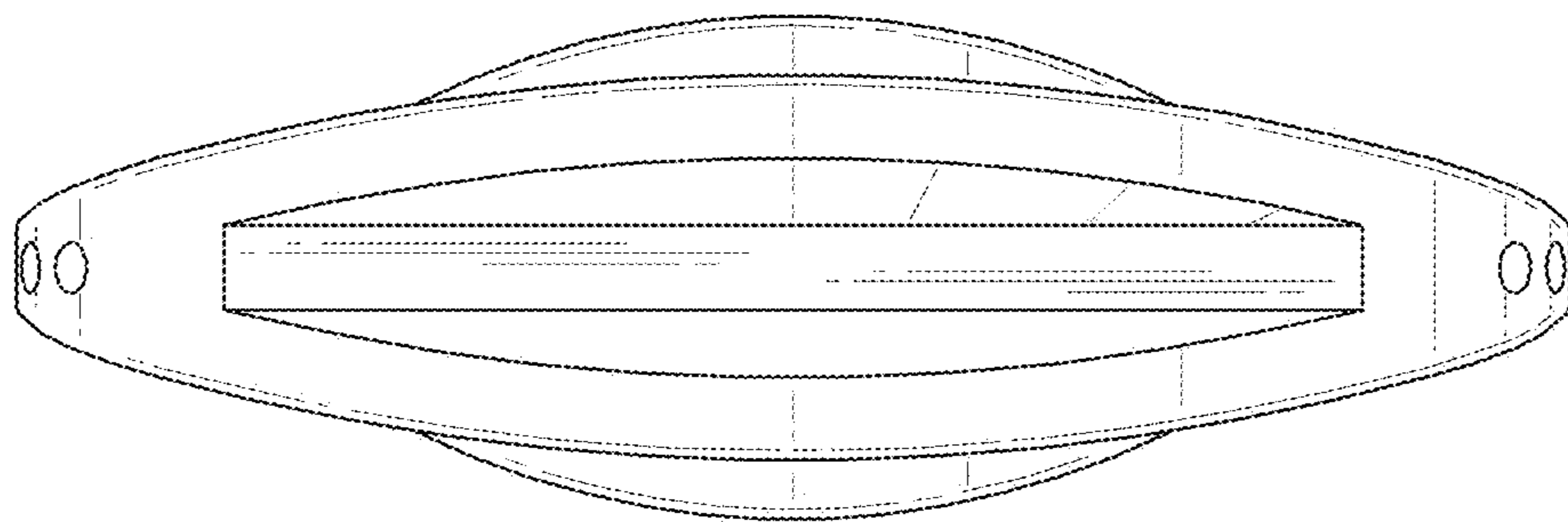


FIG. 7

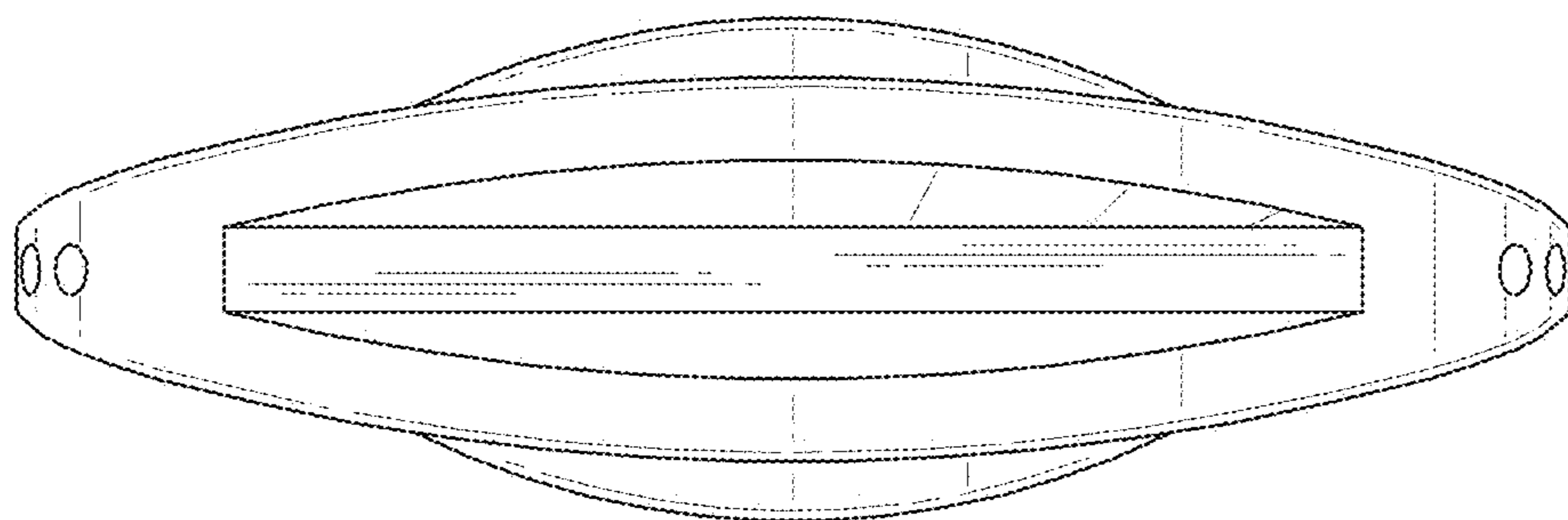


FIG. 8