



US00D787112S

(12) **United States Design Patent**  
**Samson**

(10) **Patent No.:** **US D787,112 S**

(45) **Date of Patent:** **\*\* May 16, 2017**

(54) **COVE LIGHTING FIXTURE**

(71) Applicant: **Moda LLC**, Las Vegas, NV (US)

(72) Inventor: **Mark Samson**, Las Vegas, NV (US)

(73) Assignee: **MODA LLC**, Las Vegas, NV (US)

(\*\*) Term: **15 Years**

(21) Appl. No.: **29/534,744**

(22) Filed: **Jul. 30, 2015**

(51) **LOC (10) Cl.** ..... **26-05**

(52) **U.S. Cl.**  
USPC ..... **D26/138**

(58) **Field of Classification Search**  
USPC ..... D26/26-28, 60-66, 72-76, 81-82, 106,  
D26/109, 113, 118, 138-139, 142;  
D13/107, 108, 110, 123, 133, 135, 137,  
D13/138, 199; 174/53-54, 101;  
362/269, 274; D8/377; D25/119-122  
CPC . H01R 25/14; H01R 25/00; F16J 1/16; H01L  
27/14618; H01L 27/14601; H01L  
27/14634; G06F 1/1637; E04C  
2003/0408; E04C 2003/0421; E04C  
2003/043; E04C 2003/0434; E04C  
2003/0465

See application file for complete search history.

(56) **References Cited**

U.S. PATENT DOCUMENTS

1,123,938 A \* 1/1915 Shaffer ..... B60Q 1/1438  
160/132

2,282,875 A \* 5/1942 Mueller ..... H01R 33/0836  
439/159

4,432,043 A \* 2/1984 Yuen ..... F21L 7/00  
200/60

D349,173 S \* 7/1994 Fellingner ..... D26/85

5,510,965 A \* 4/1996 Teakell ..... F21S 8/00  
362/223

5,676,458 A \* 10/1997 Shemitz ..... F21V 3/00  
362/269

5,911,498 A \* 6/1999 Shemitz ..... F21V 3/00  
362/217.07

D440,941 S \* 4/2001 Parekh ..... D13/134

RE40,619 E \* 1/2009 Knoble ..... F21S 2/00  
362/147

D603,079 S \* 10/2009 Toot ..... D26/118

D612,533 S \* 3/2010 Kim ..... D26/138

D643,960 S \* 8/2011 Waldmann ..... D26/74

D647,241 S \* 10/2011 Takahashi ..... D26/72

D650,506 S \* 12/2011 Kaule ..... D26/72

D662,245 S \* 6/2012 Steffy ..... D26/75

8,235,539 B2 \* 8/2012 Thomas ..... F21V 15/013  
362/92

8,439,522 B2 \* 5/2013 Kim ..... F21V 21/30  
362/249.03

8,444,292 B2 \* 5/2013 Ivey ..... B29C 39/10  
156/60

D709,636 S \* 7/2014 Murata ..... D26/72

D710,725 S \* 8/2014 Laarman ..... D10/114.2

(Continued)

*Primary Examiner* — Garth Rademaker  
*Assistant Examiner* — Christopher J Matthews  
 (74) *Attorney, Agent, or Firm* — Weide & Miller, Ltd.

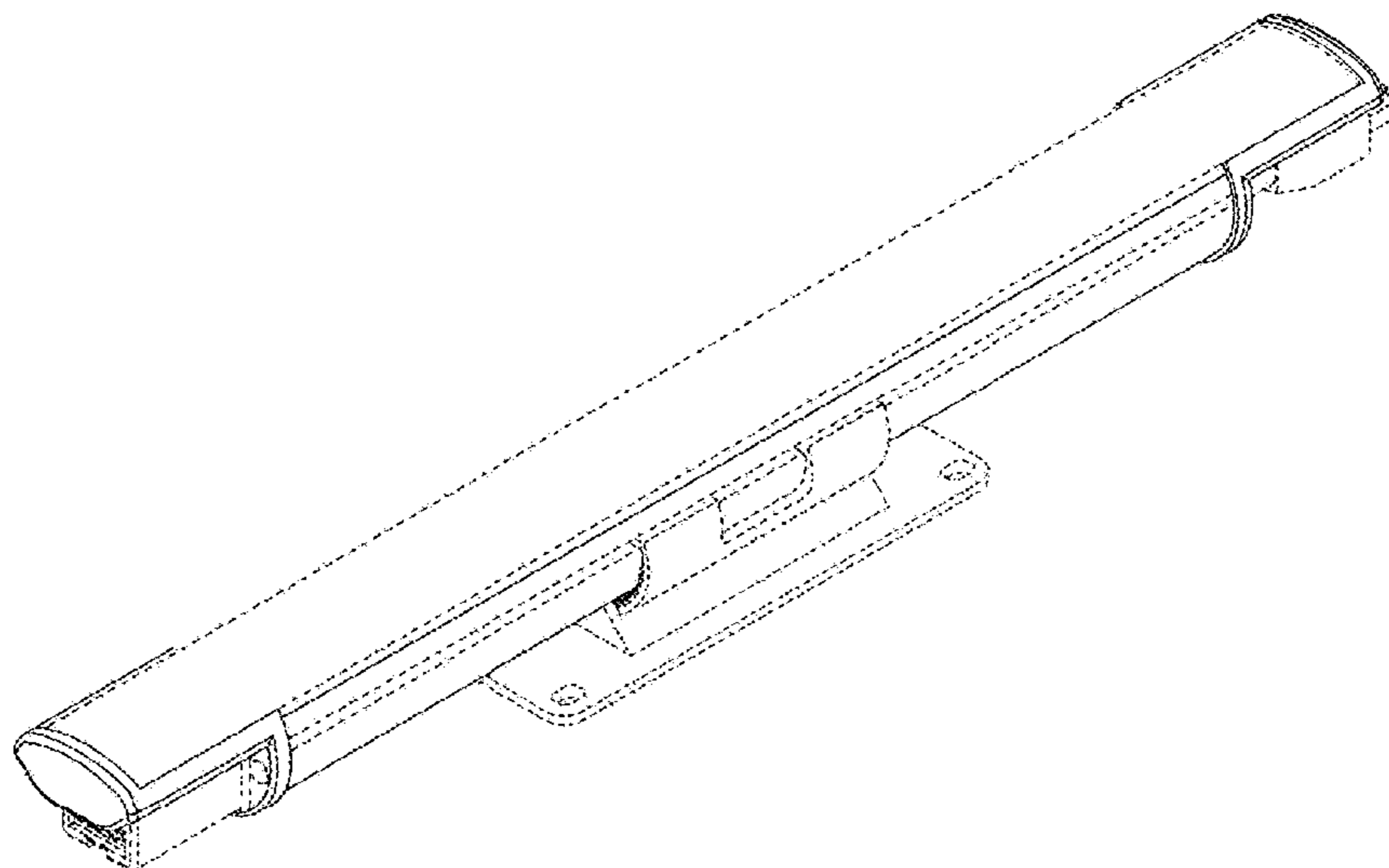
(57) **CLAIM**

The ornamental design for a cove lighting fixture, as shown and described.

**DESCRIPTION**

FIG. 1 is a front view of a cove lighting fixture showing the new design;  
 FIG. 2 is a rear view thereof;  
 FIG. 3 is a top view thereof;  
 FIG. 4 is a bottom view thereof;  
 FIG. 5 is a left side view thereof;  
 FIG. 6 is a right side view thereof; and,  
 FIG. 7 is a perspective view thereof.  
 The broken lines indicate unclaimed portions of the article and form no part of the claimed design.

**1 Claim, 4 Drawing Sheets**



(56)

**References Cited**

U.S. PATENT DOCUMENTS

8,926,126 B2 \* 1/2015 Ronen ..... F21V 15/013  
362/225  
D724,249 S \* 3/2015 Maxik ..... D26/76  
9,033,542 B2 \* 5/2015 Peck ..... F21S 4/28  
362/217.05  
9,045,688 B2 \* 6/2015 Li ..... C09K 11/0883  
9,157,813 B2 \* 10/2015 Maier ..... H05B 37/03  
9,222,645 B2 \* 12/2015 Breslow ..... A47F 3/001  
D747,228 S \* 1/2016 Fiedler ..... D10/104.1  
D750,308 S \* 2/2016 Rodgers ..... D26/76  
2008/0037239 A1 \* 2/2008 Thomas ..... F21V 15/013  
362/92  
2008/0198598 A1 \* 8/2008 Ward ..... F21K 9/00  
362/249.01  
2010/0208458 A1 \* 8/2010 Weimer ..... F21S 4/28  
362/235  
2015/0159818 A1 \* 6/2015 Dong ..... H05B 33/0854  
315/151

\* cited by examiner

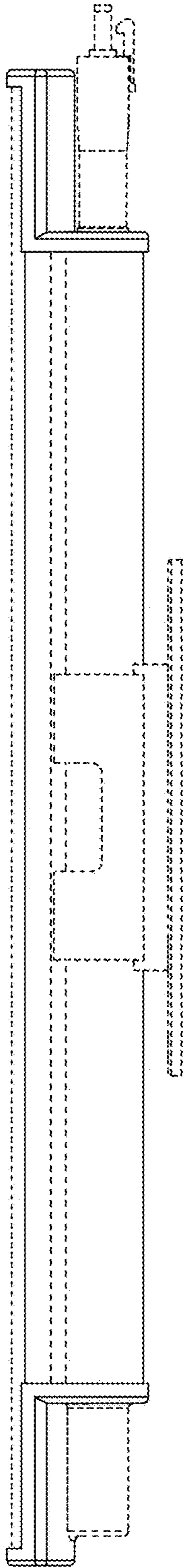


FIG. 1

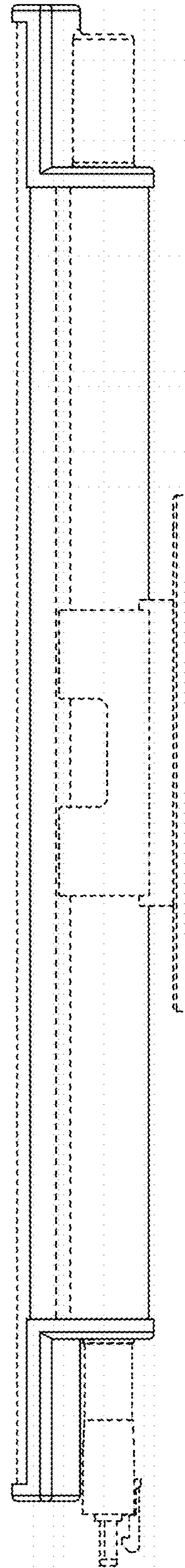


FIG. 2

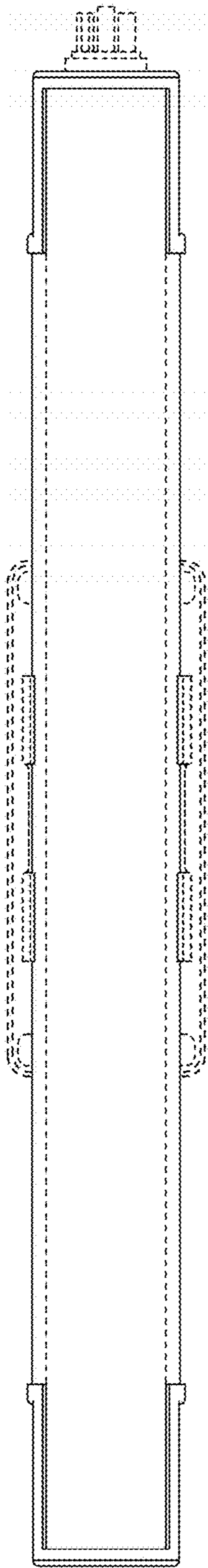


FIG. 3

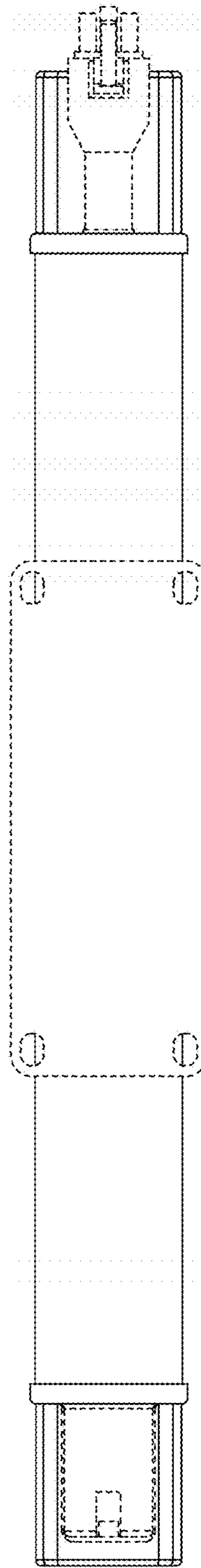


FIG. 4

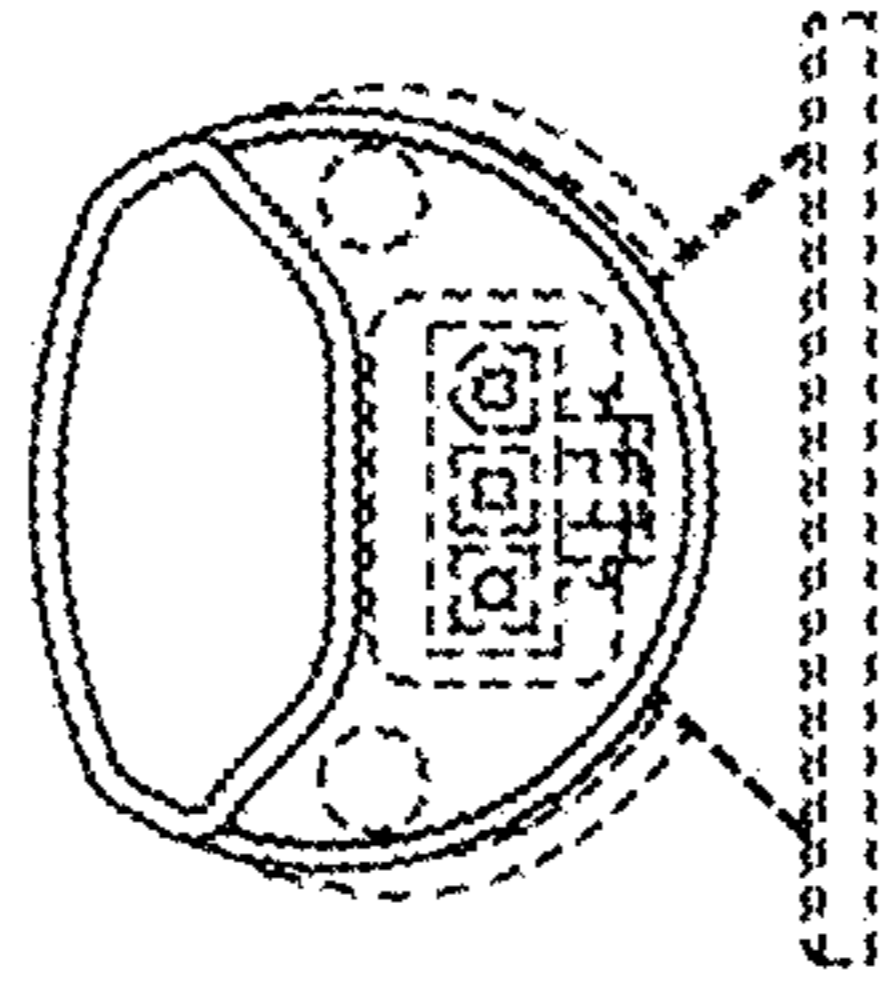


FIG. 5

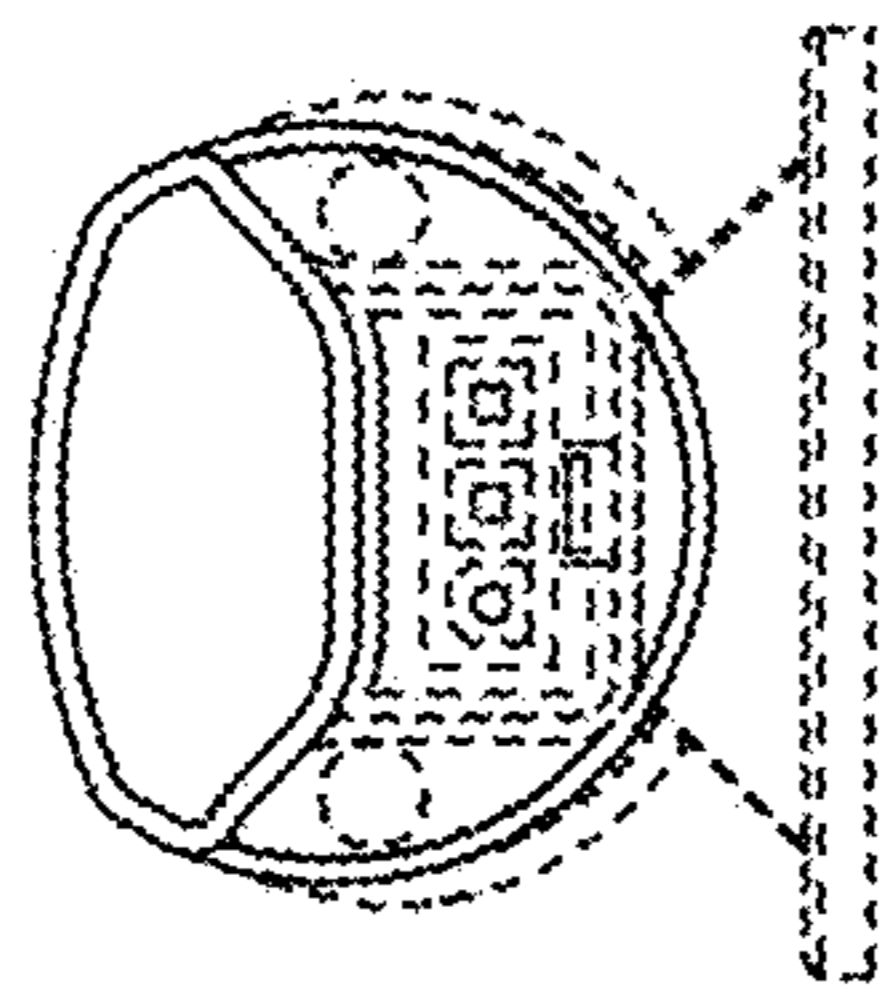


FIG. 6

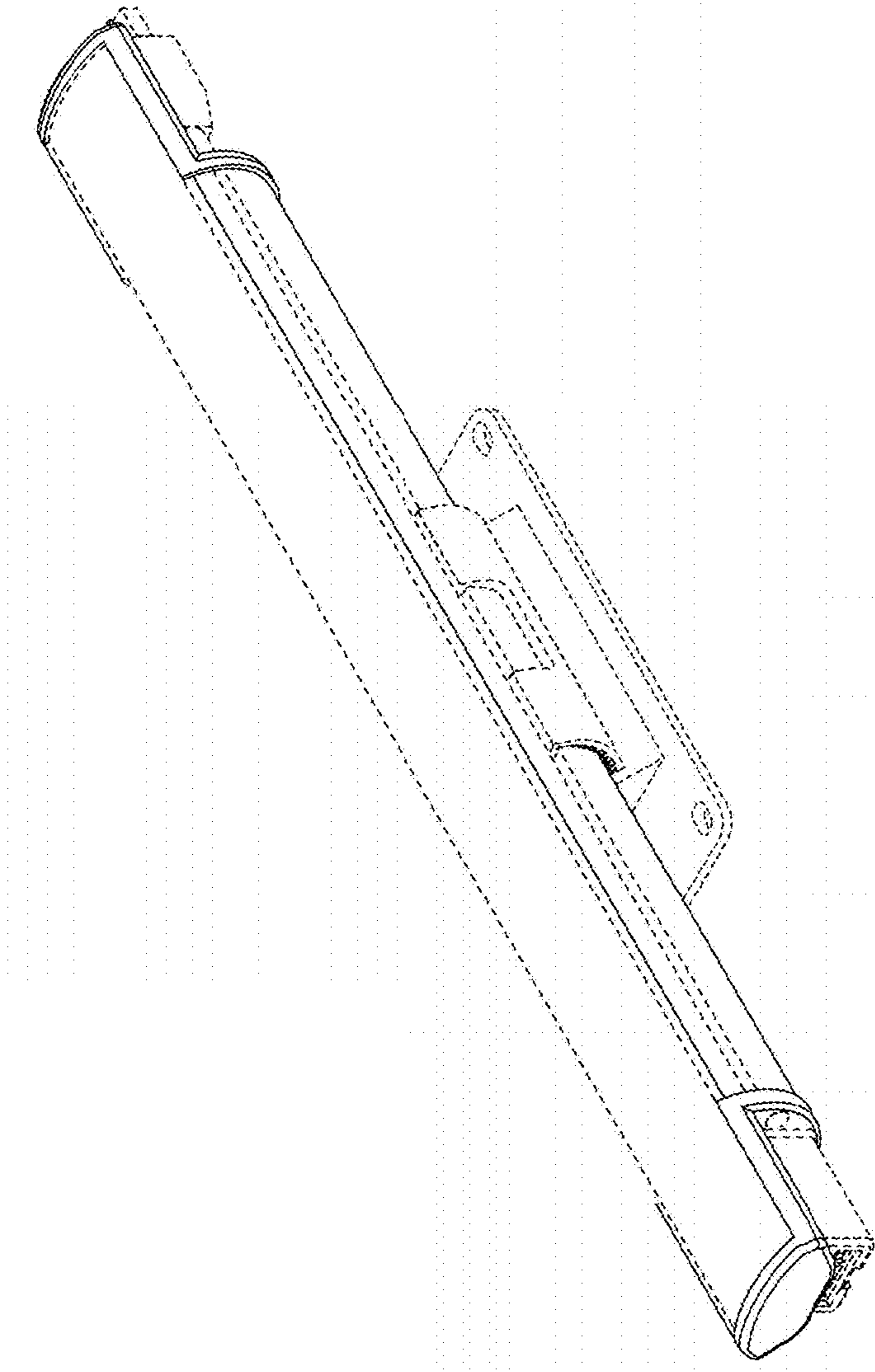


FIG. 7