



US00D787111S

(12) **United States Design Patent**  
**Khanampornpan**

(10) **Patent No.:** **US D787,111 S**

(45) **Date of Patent:** **\*\* May 16, 2017**

- (54) **LAMP HOLDER**
- (71) Applicant: **Viroj Khanampornpan**, Bangkok (TH)
- (72) Inventor: **Viroj Khanampornpan**, Bangkok (TH)
- (73) Assignee: **Viroj Khanampornpan**, Bangkok (TH)
- (\*\*) Term: **15 Years**
- (21) Appl. No.: **29/527,876**
- (22) Filed: **May 22, 2015**
- (51) **LOC (10) Cl.** ..... **26-99**
- (52) **U.S. Cl.**  
USPC ..... **D26/138**
- (58) **Field of Classification Search**  
USPC ..... D13/133, 134, 135, 149, 154, 173, 180;  
D26/2, 24, 25, 37, 40, 60, 61, 63, 73, 81,  
D26/93, 110, 113, 118-124, 128, 138,  
D26/140, 141, 142  
CPC ..... H01R 33/02; H01R 33/05; H01R 33/08;  
H01R 33/0827; H01R 33/0836; H01R  
33/20; H01R 4/4818; H01K 3/00; H01K  
1/40; H01K 5/02  
See application file for complete search history.

- 2,814,788 A \* 11/1957 Godfrey ..... H01R 33/0836  
439/243
- 3,005,175 A \* 10/1961 Pistey ..... H01R 33/0827  
439/242
- 3,351,884 A \* 11/1967 Pistey ..... H01R 33/08  
439/244
- 3,466,594 A \* 9/1969 Detch ..... F21V 19/008  
439/233
- 4,084,873 A \* 4/1978 Grate ..... H01R 33/08  
439/226
- D406,814 S \* 3/1999 Henrici ..... D13/134
- 6,290,522 B1 \* 9/2001 Campolo ..... H01R 33/0854  
439/241
- 6,641,419 B1 \* 11/2003 Richardson ..... F21V 19/008  
439/230
- D491,890 S \* 6/2004 Henrici ..... D13/134
- D550,884 S \* 9/2007 Tufano ..... D26/75

(Continued)

*Primary Examiner* — Garth Rademaker  
*Assistant Examiner* — Richard Kearney  
(74) *Attorney, Agent, or Firm* — Kim Winston LLP

(57) **CLAIM**

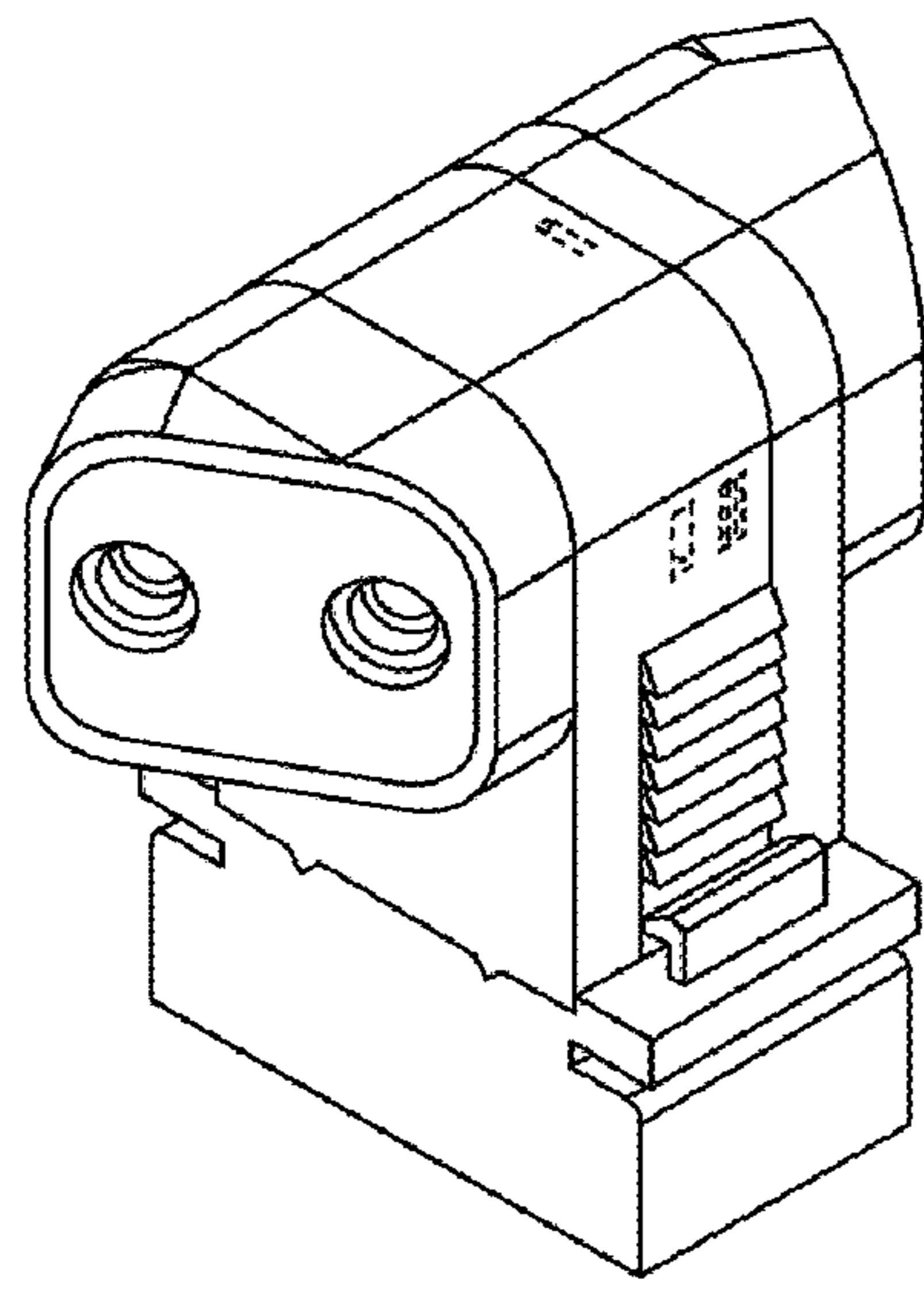
The ornamental design for a lamp holder, as shown and described.

**DESCRIPTION**

FIG. 1 is an exploded right side view of a lamp holder in accordance with the new design;  
FIG. 2 is a top plan view of the lamp holder of FIG. 1;  
FIG. 3 is a left side view of the lamp holder of FIG. 1;  
FIG. 4 is a back side view of the lamp holder of FIG. 1;  
FIG. 5 is a right side view of the lamp holder of FIG. 1;  
FIG. 6 is a front side view of the lamp holder of FIG. 1;  
FIG. 7 is a perspective view of the lamp holder of FIG. 1; and,  
FIG. 8 is a bottom plan view of the lamp holder of FIG. 1.  
The broken lines in FIGS. 1-7 illustrate portions of the lamp holder which form no part of the claimed design.

**1 Claim, 1 Drawing Sheet**

- (56) **References Cited**  
U.S. PATENT DOCUMENTS
- 2,247,117 A \* 6/1941 De Reamer ..... H01R 33/08  
362/217.08
- 2,412,826 A \* 12/1946 Mills ..... H01R 33/02  
200/51.09
- 2,415,496 A \* 2/1947 Ingwersen ..... H01R 33/02  
200/51 R
- 2,441,929 A \* 5/1948 Burt ..... H01R 33/08  
439/241
- 2,604,505 A \* 7/1952 De Reamer ..... H01R 33/02  
439/244
- 2,769,152 A \* 10/1956 Fortin ..... H01R 33/0836  
439/241



(56)

**References Cited**

U.S. PATENT DOCUMENTS

7,597,575 B2 \* 10/2009 Tufano ..... H01R 4/4818  
439/239  
7,862,357 B2 \* 1/2011 Tufano ..... H01R 4/4818  
439/239  
8,038,458 B2 \* 10/2011 Tufano ..... H01R 4/4818  
439/239  
D647,850 S \* 11/2011 Osada ..... D13/134  
D647,851 S \* 11/2011 Osada ..... D13/134  
8,308,497 B2 \* 11/2012 Zayas ..... H01R 33/0854  
439/236  
8,333,602 B2 \* 12/2012 Galluccio ..... H01R 33/0836  
439/241  
2010/0081339 A1 \* 4/2010 Galluccio ..... H01R 33/08  
439/699.2  
2011/0003497 A1 \* 1/2011 Pornpan ..... H01R 33/08  
439/226  
2011/0317408 A1 \* 12/2011 Chen ..... F21V 19/0085  
362/217.14

\* cited by examiner

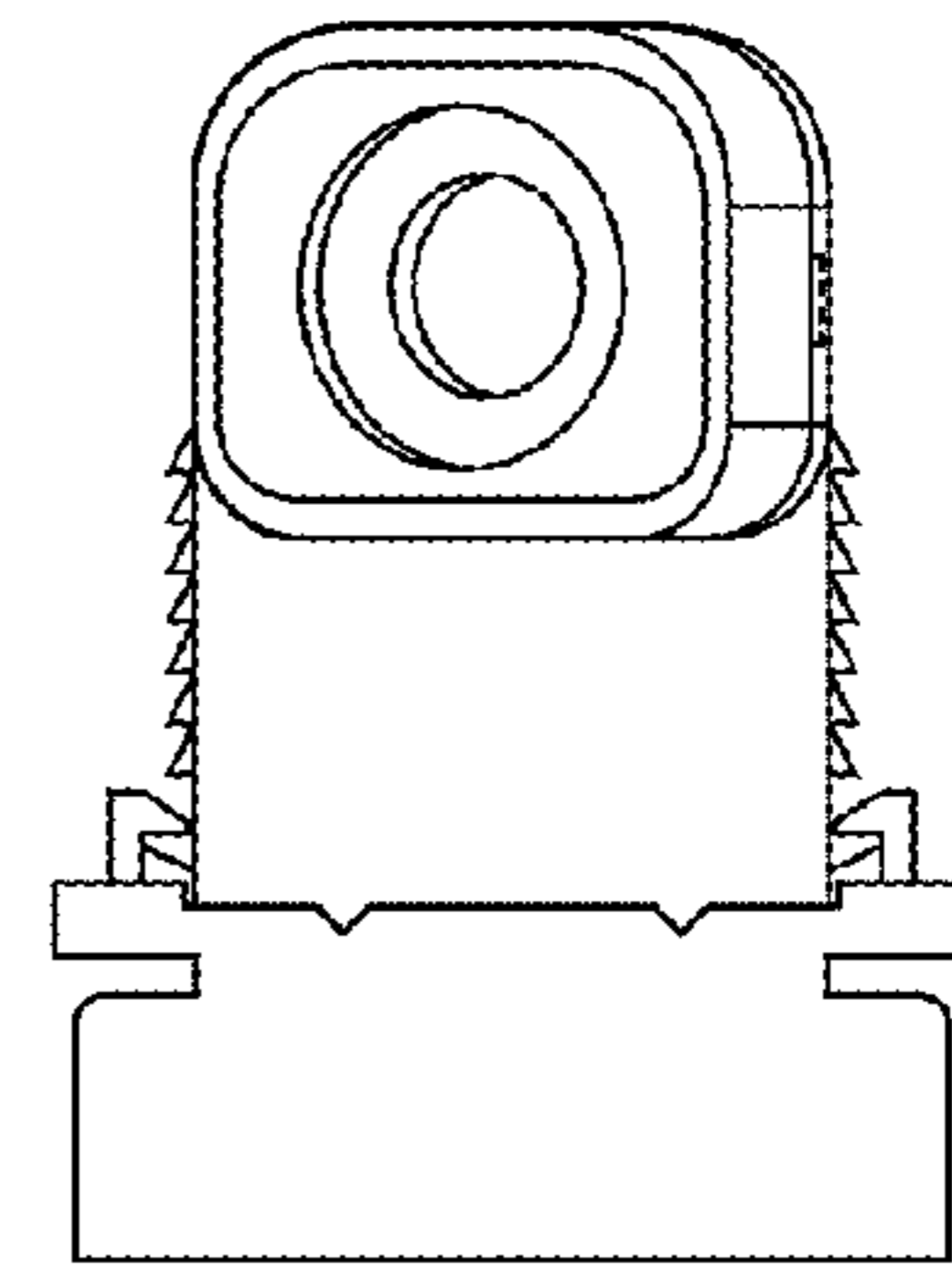
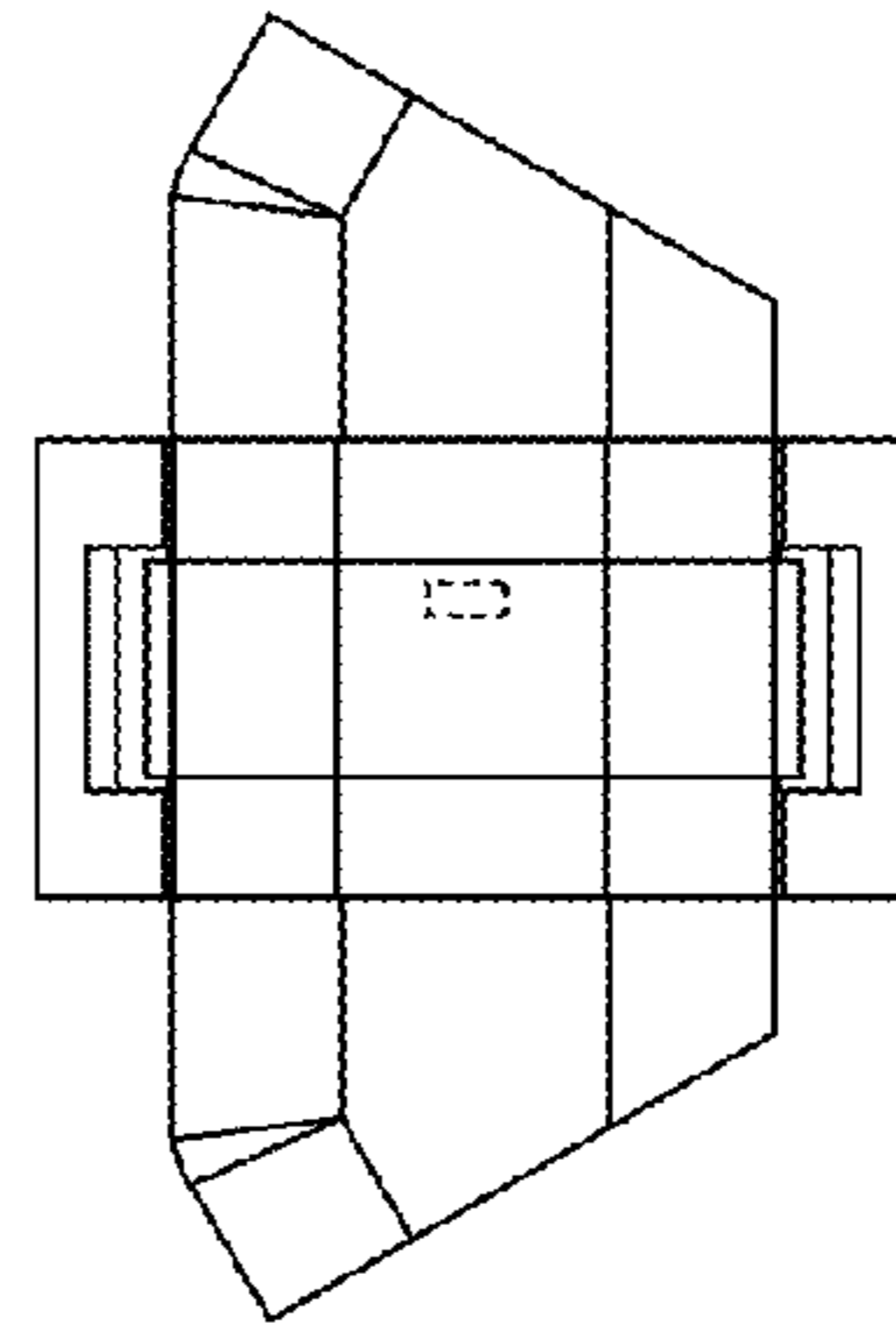
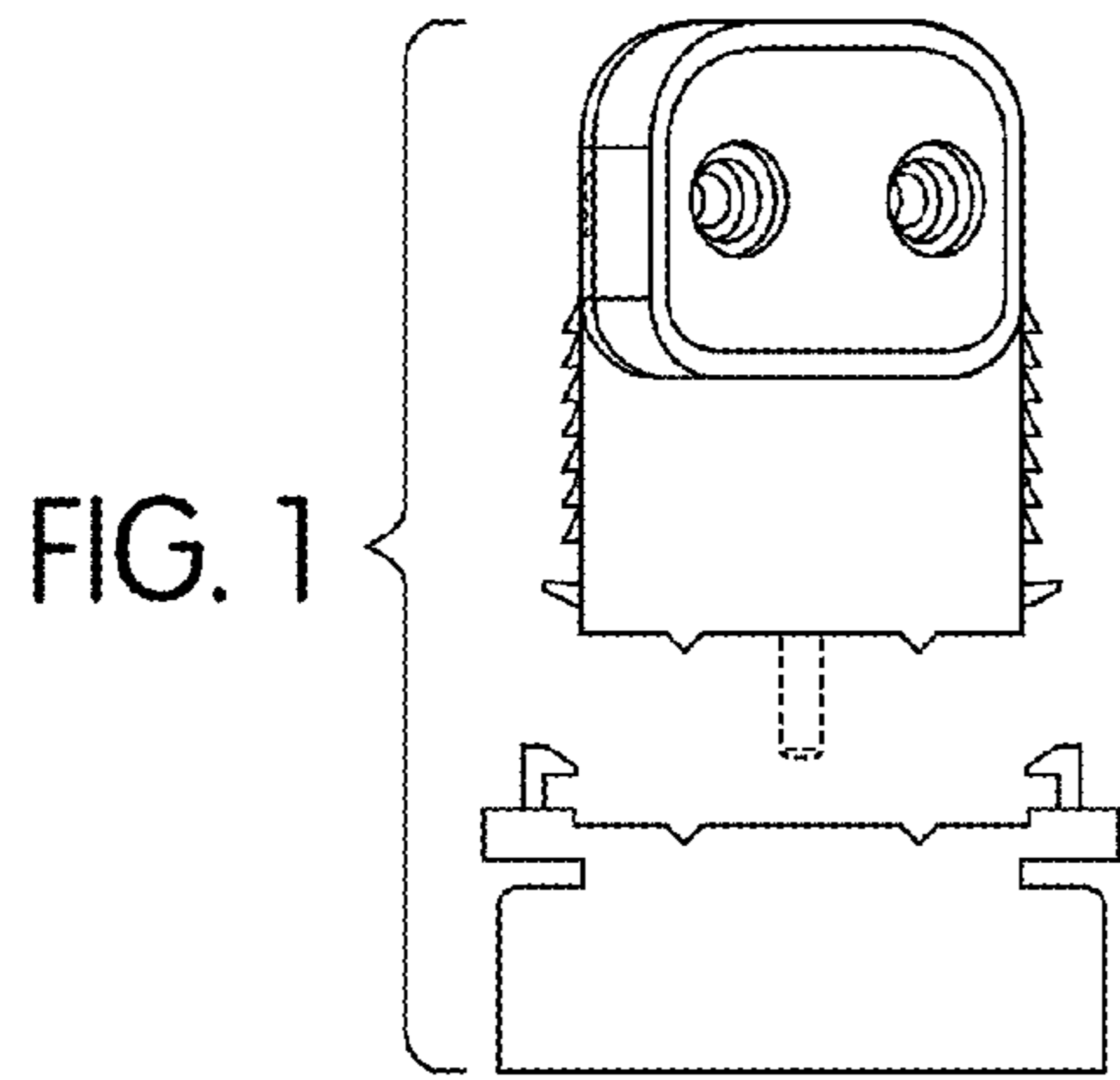


FIG. 2

FIG. 3

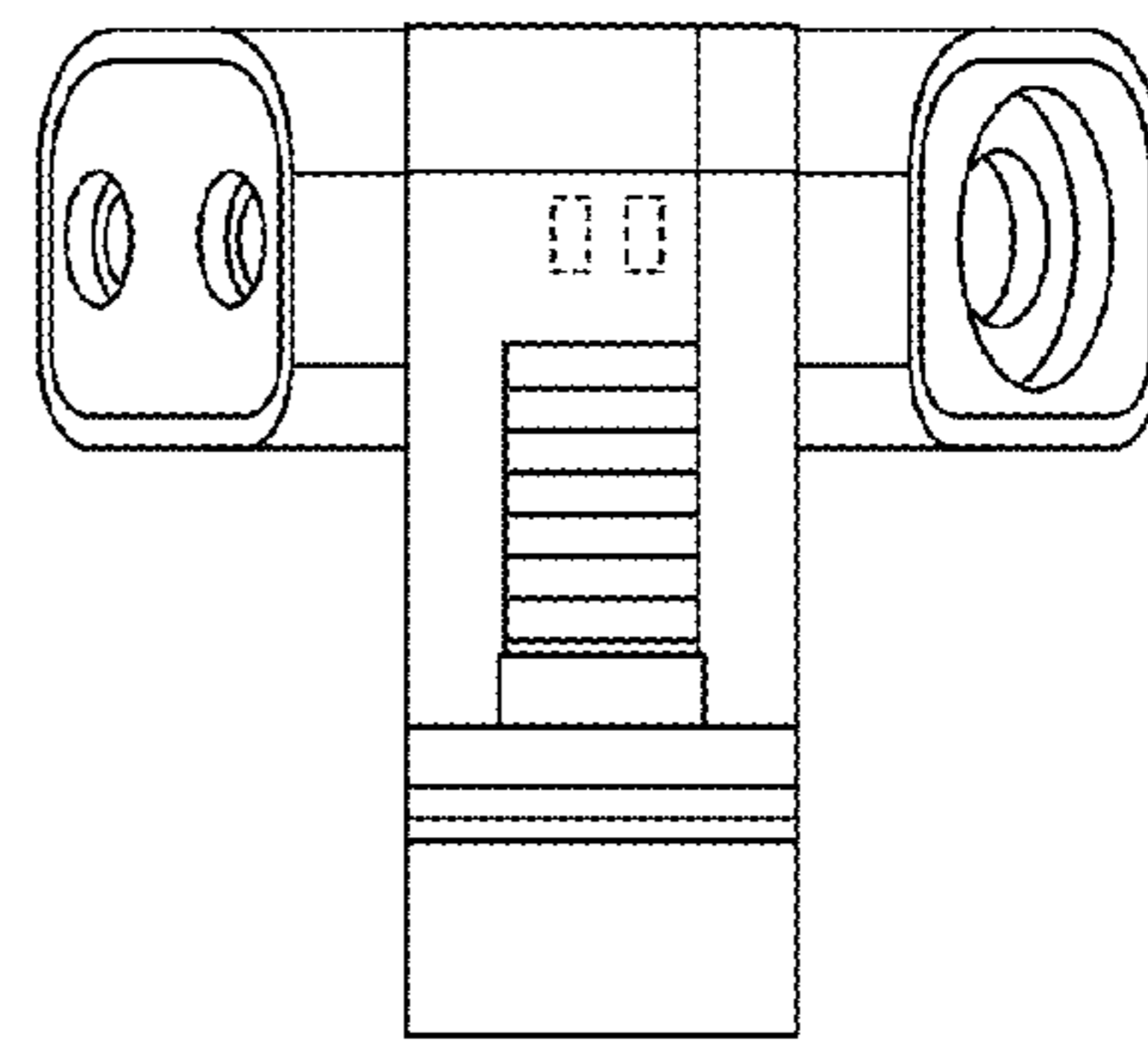
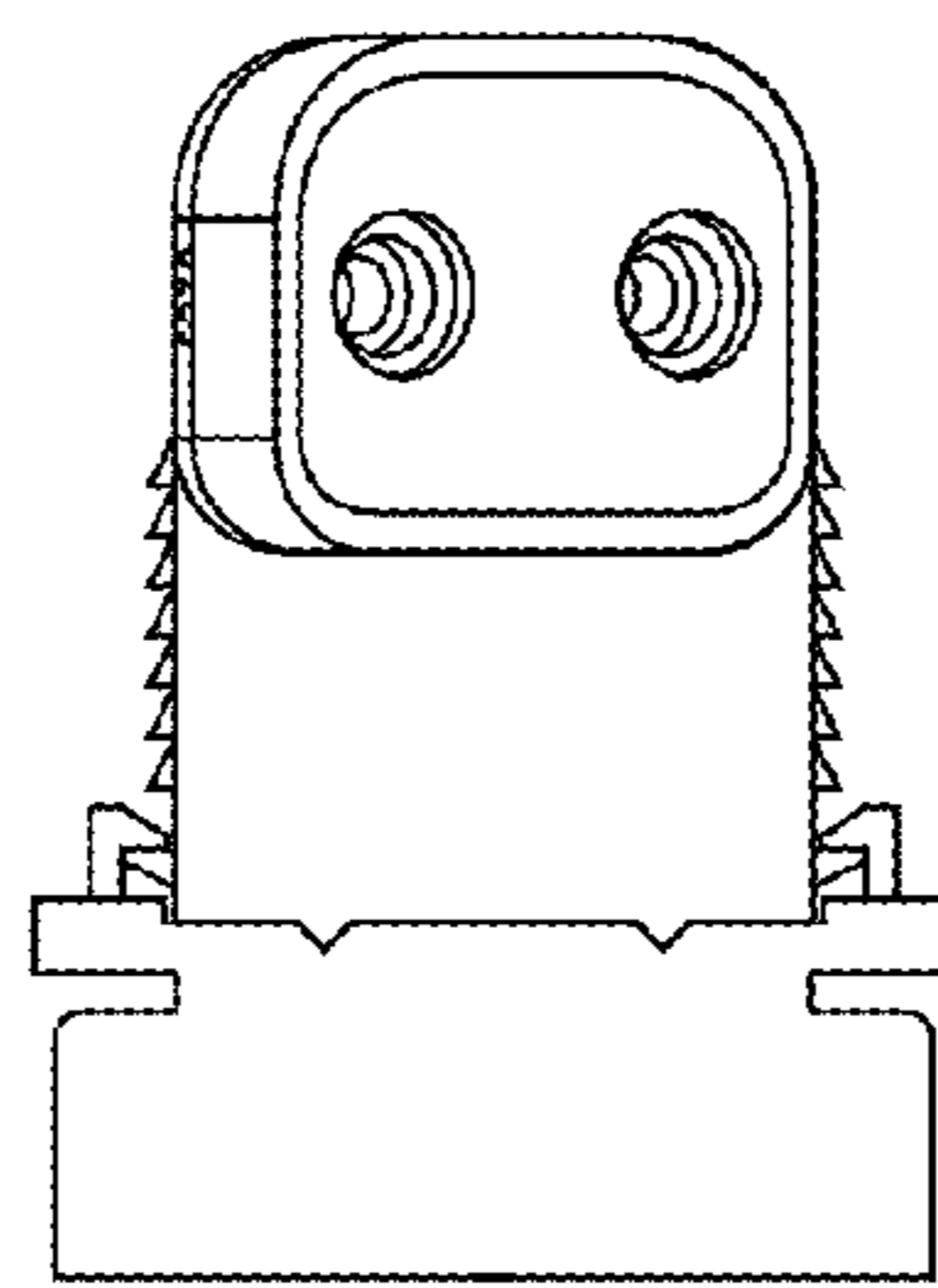
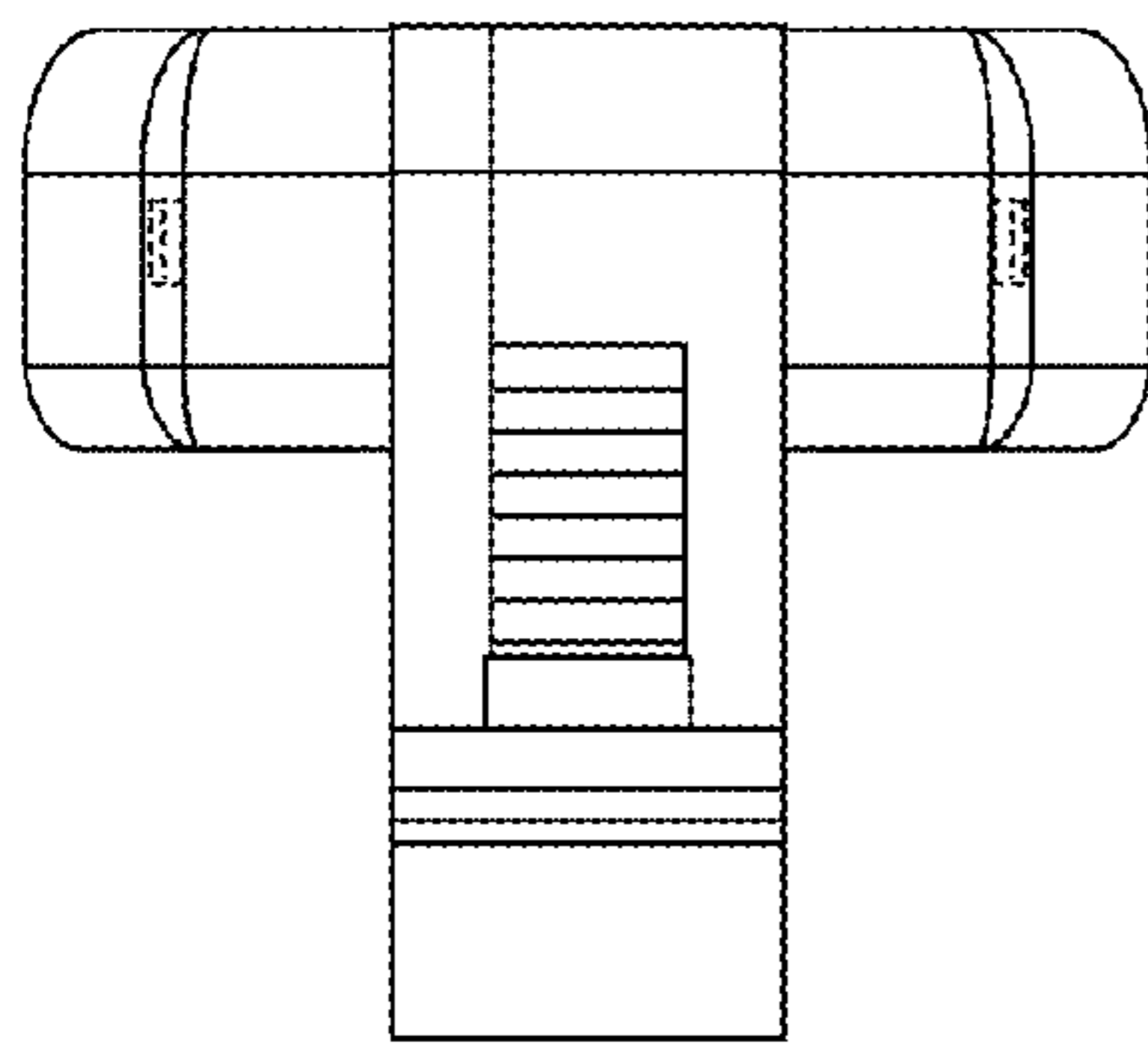


FIG. 4

FIG. 5

FIG. 6

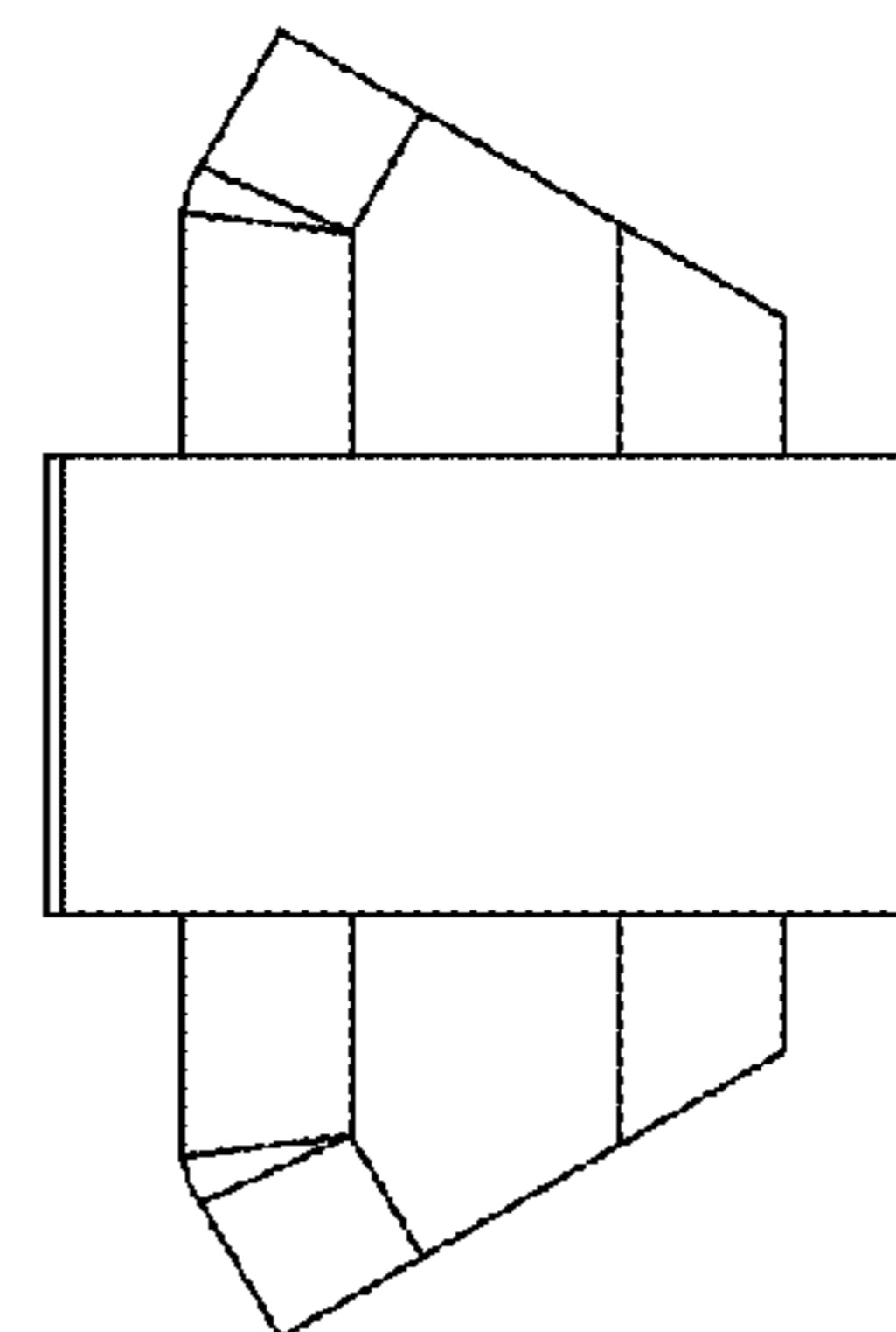
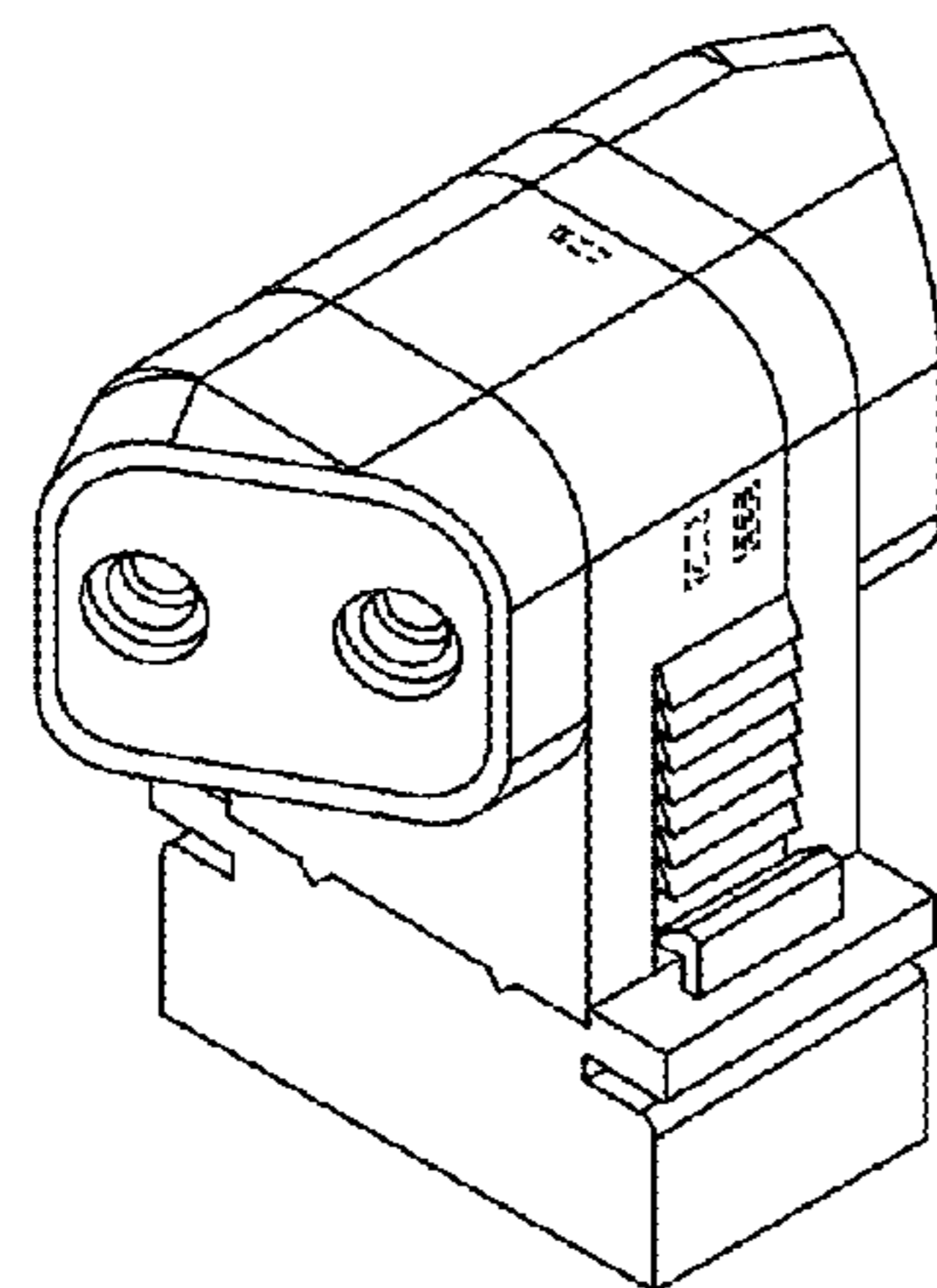


FIG. 7

FIG. 8