



US00D787110S

(12) **United States Design Patent** (10) **Patent No.:** **US D787,110 S**  
**Hood et al.** (45) **Date of Patent:** **\*\* May 16, 2017**

(54) **SURGICAL LIGHT COVER**  
(71) Applicants: **Frances W. Hood**, Birmingham, AL  
(US); **Allan G. Hood**, Birmingham, AL  
(US)  
(72) Inventors: **Frances W. Hood**, Birmingham, AL  
(US); **Allan G. Hood**, Birmingham, AL  
(US)

(\*\*) Term: **15 Years**  
(21) Appl. No.: **29/550,516**  
(22) Filed: **Jan. 5, 2016**

(51) **LOC (10) Cl.** ..... **26-99**  
(52) **U.S. Cl.**  
USPC ..... **D26/119**  
(58) **Field of Classification Search**  
USPC ..... D26/80-91, 118, 119, 152, 155  
CPC .... F21S 8/03; F21S 8/033; F21S 8/036; F21S  
8/04; F21S 8/043; F21S 8/046; F21S  
8/06; F21S 8/061; F21S 8/063; F21S  
8/065; F21S 8/068; F21V 1/04; F21V  
1/06; F21V 1/12; F21V 3/02; F21V  
3/023; F21V 5/06  
See application file for complete search history.

(56) **References Cited**  
U.S. PATENT DOCUMENTS

|           |     |         |                 |         |
|-----------|-----|---------|-----------------|---------|
| 3,698,791 | A   | 10/1972 | Walchle et al.  |         |
| 4,594,645 | A   | 6/1986  | Terashita       |         |
| 4,799,779 | A   | 1/1989  | Mesmer          |         |
| 4,975,826 | A   | 12/1990 | Bell            |         |
| 5,122,904 | A   | 6/1992  | Fujiwara et al. |         |
| 5,154,503 | A   | 10/1992 | Sternsher       |         |
| 5,490,524 | A   | 2/1996  | Williams et al. |         |
| D377,994  | S * | 2/1997  | Morrill         | D26/119 |
| 5,803,905 | A   | 9/1998  | Allred et al.   |         |

|              |     |         |                     |         |
|--------------|-----|---------|---------------------|---------|
| D439,009     | S * | 3/2001  | Broeders            | D26/119 |
| 6,285,902    | B1  | 9/2001  | Kienzle, III et al. |         |
| D568,528     | S   | 5/2008  | Hood                |         |
| D602,192     | S * | 10/2009 | Tunze               | D26/88  |
| D657,903     | S * | 4/2012  | MacVeigh            | D26/118 |
| D679,443     | S * | 4/2013  | Parekh              | D26/118 |
| D692,609     | S * | 10/2013 | Waltz               | D26/118 |
| D755,433     | S * | 5/2016  | Sonneman            | D26/84  |
| 2009/0161339 | A1  | 6/2009  | Gonzalez            |         |
| 2013/0167847 | A1  | 7/2013  | Rogers              |         |

\* cited by examiner

*Primary Examiner* — Brian N Vinson  
(74) *Attorney, Agent, or Firm* — Bush Intellectual  
Property Law; Kenneth M. Bush

(57) **CLAIM**

We claim the ornamental design for a surgical light cover, as shown and described.

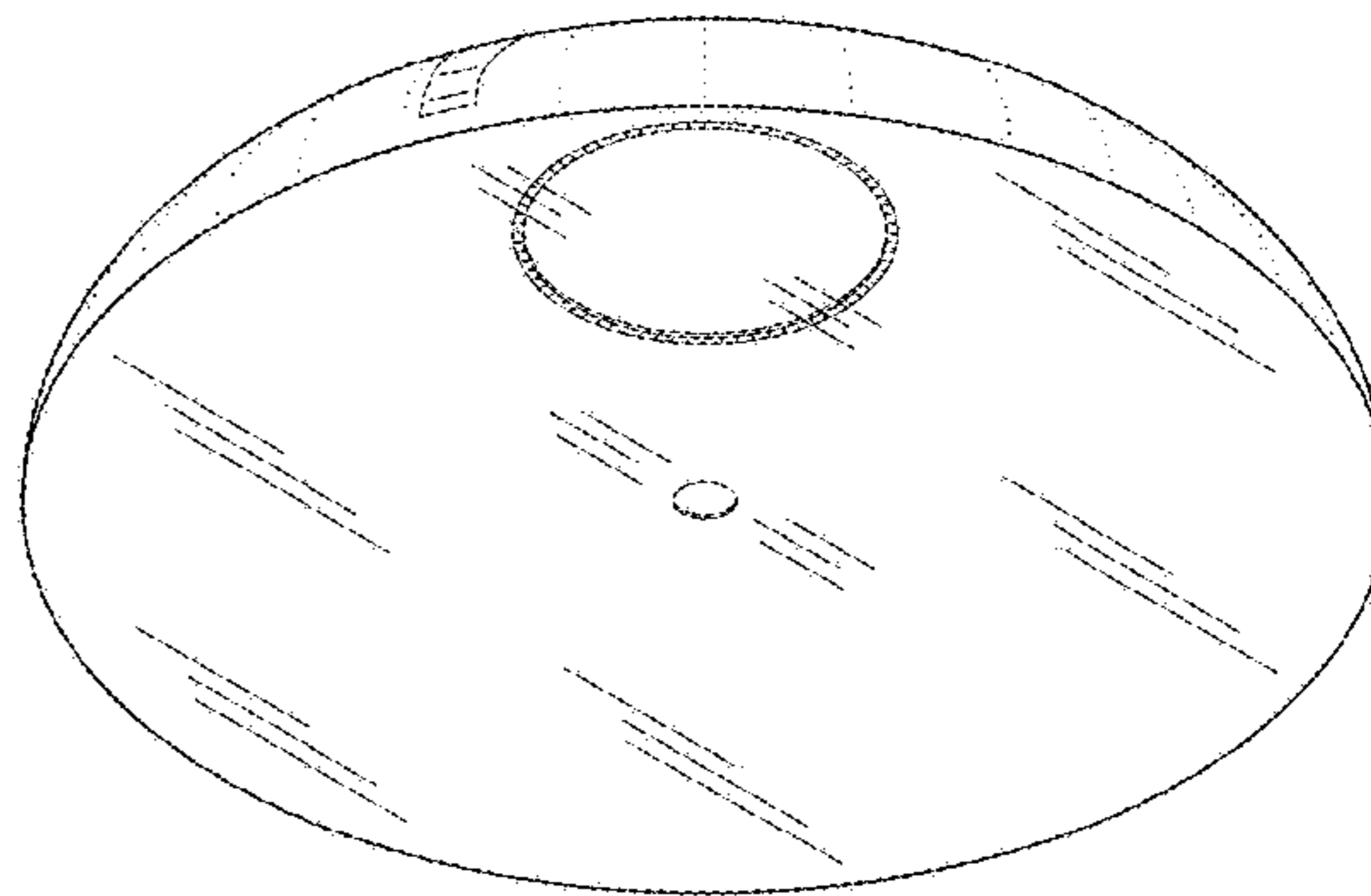
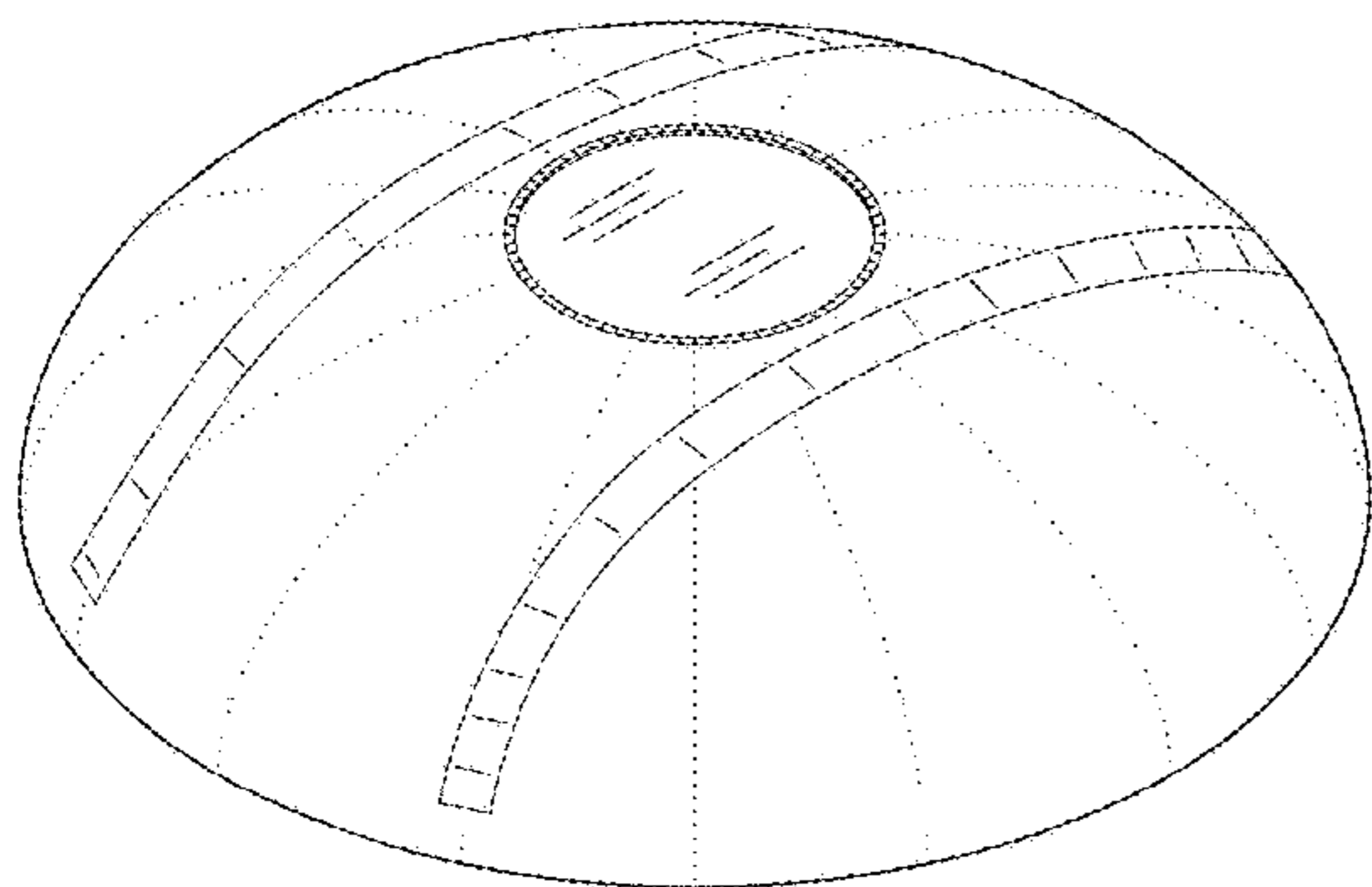
**DESCRIPTION**

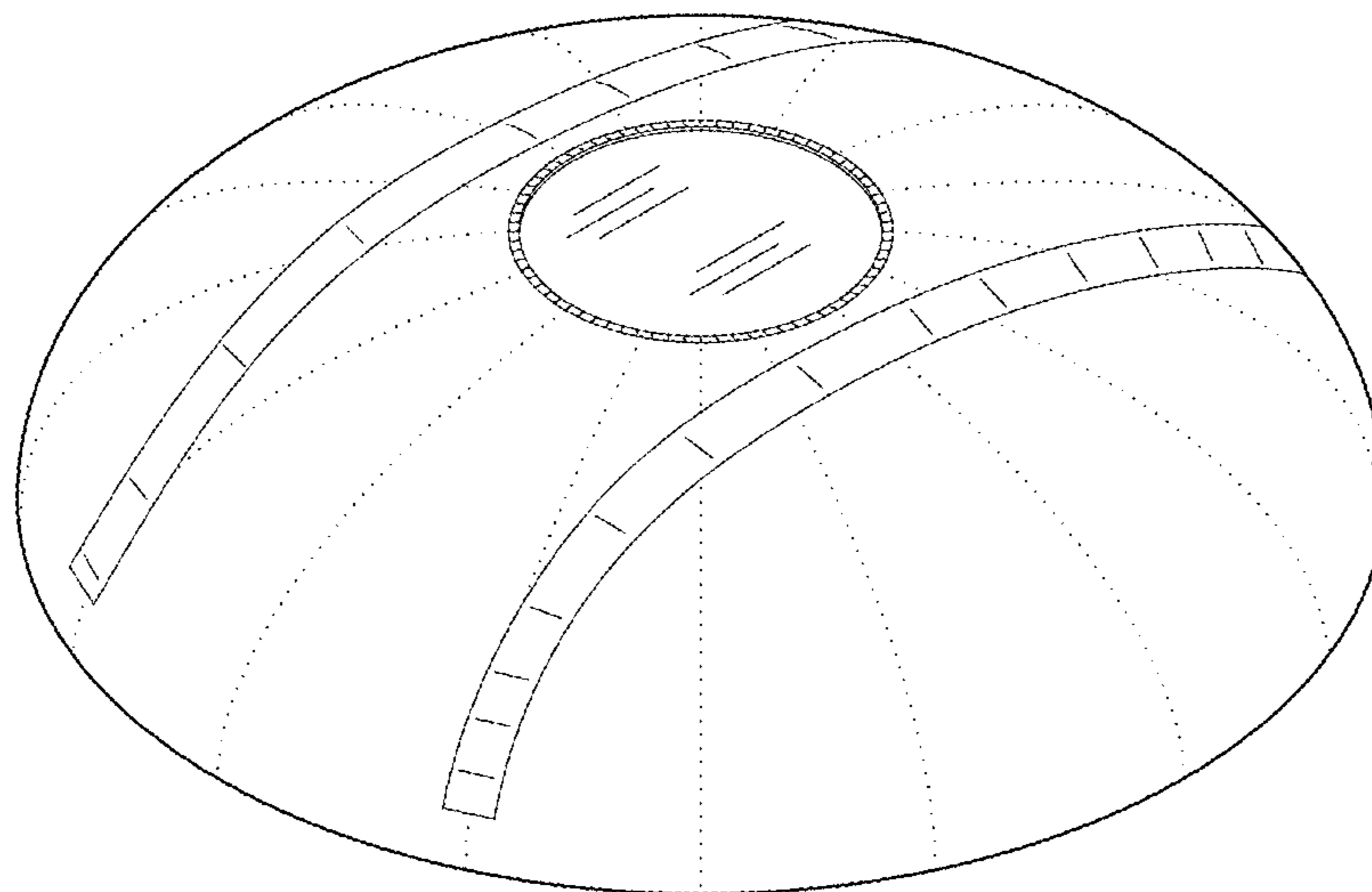
FIG. 1 is a top right front perspective view of a surgical light cover showing our new design;  
FIG. 2 is a bottom right front perspective view thereof;  
FIG. 3 is a top plan view thereof;  
FIG. 4 is a bottom plan view thereof;  
FIG. 5 is a front elevation view thereof, the rear elevation view being identical to the front elevation view; and,  
FIG. 6 is a right side elevation view thereof, the left side elevation view being identical to the right side elevation view.

In FIG. 5, the broken lines illustrating a surgical light fixture are for illustrative purposes only and form no part of the claimed design.

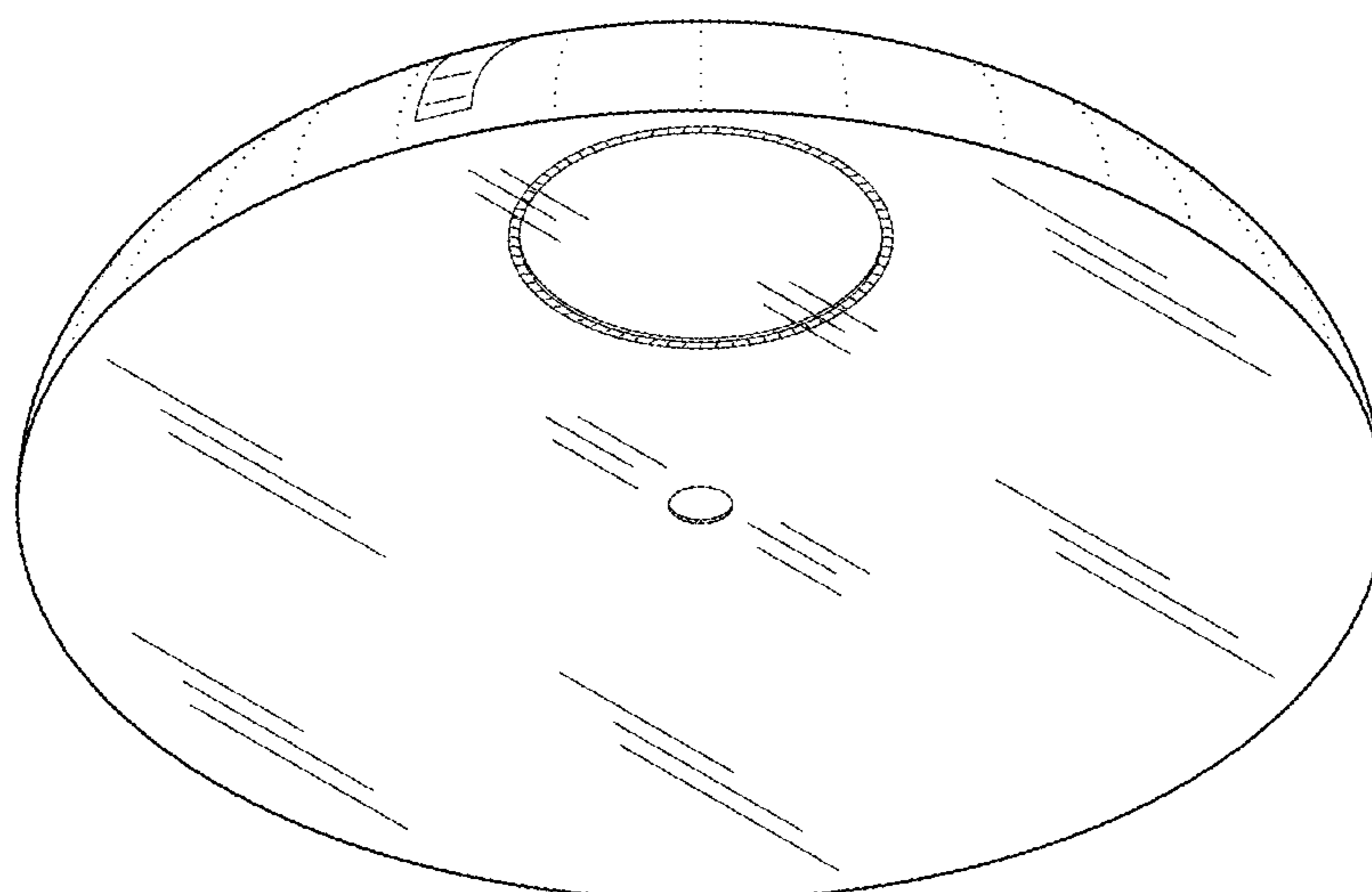
The ornamental design for a flexible surgical light cover having adjustable straps for securing the light cover to a surgical light fixture.

**1 Claim, 3 Drawing Sheets**





**FIG. 1**



**FIG. 2**

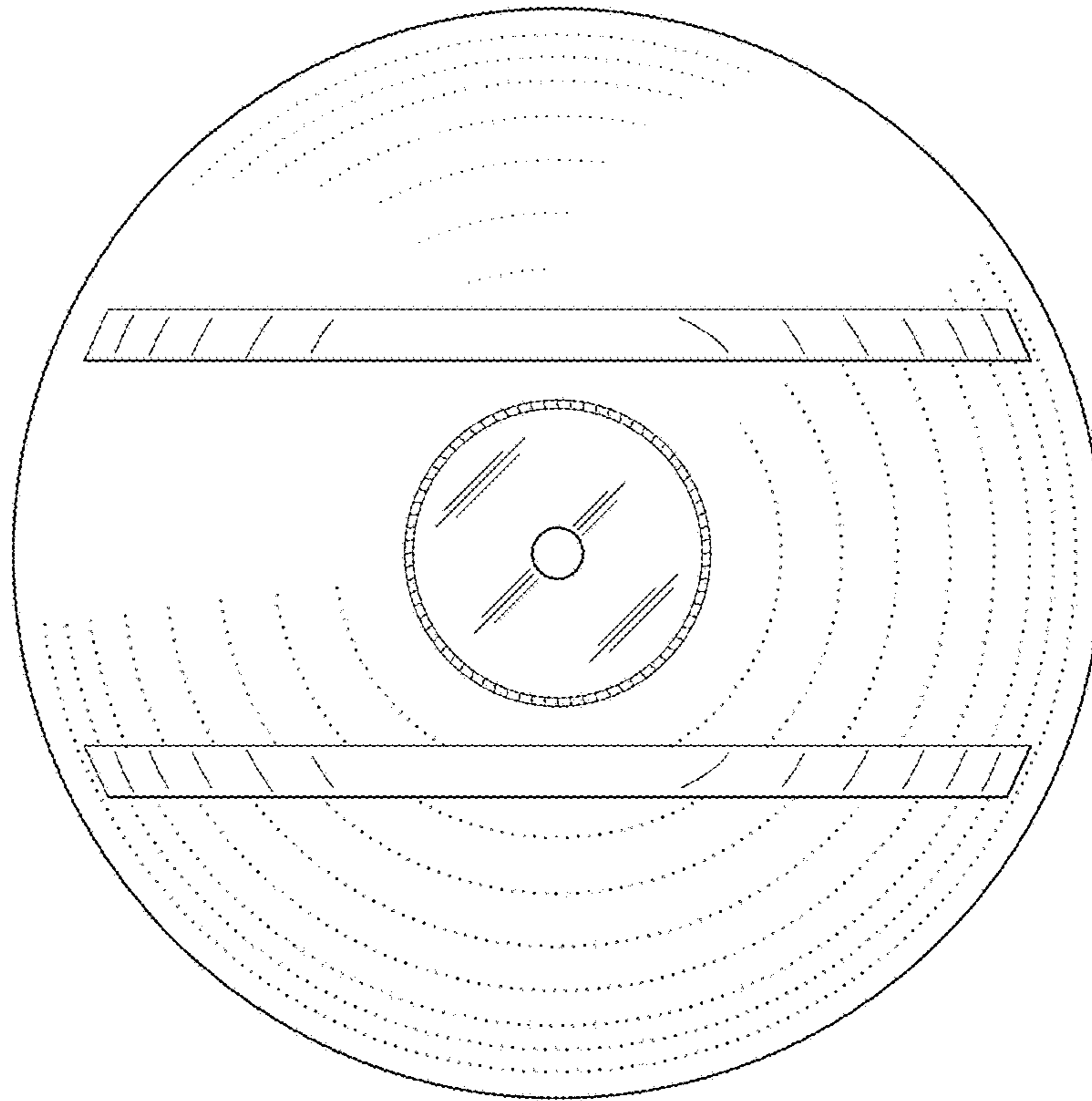


FIG. 3

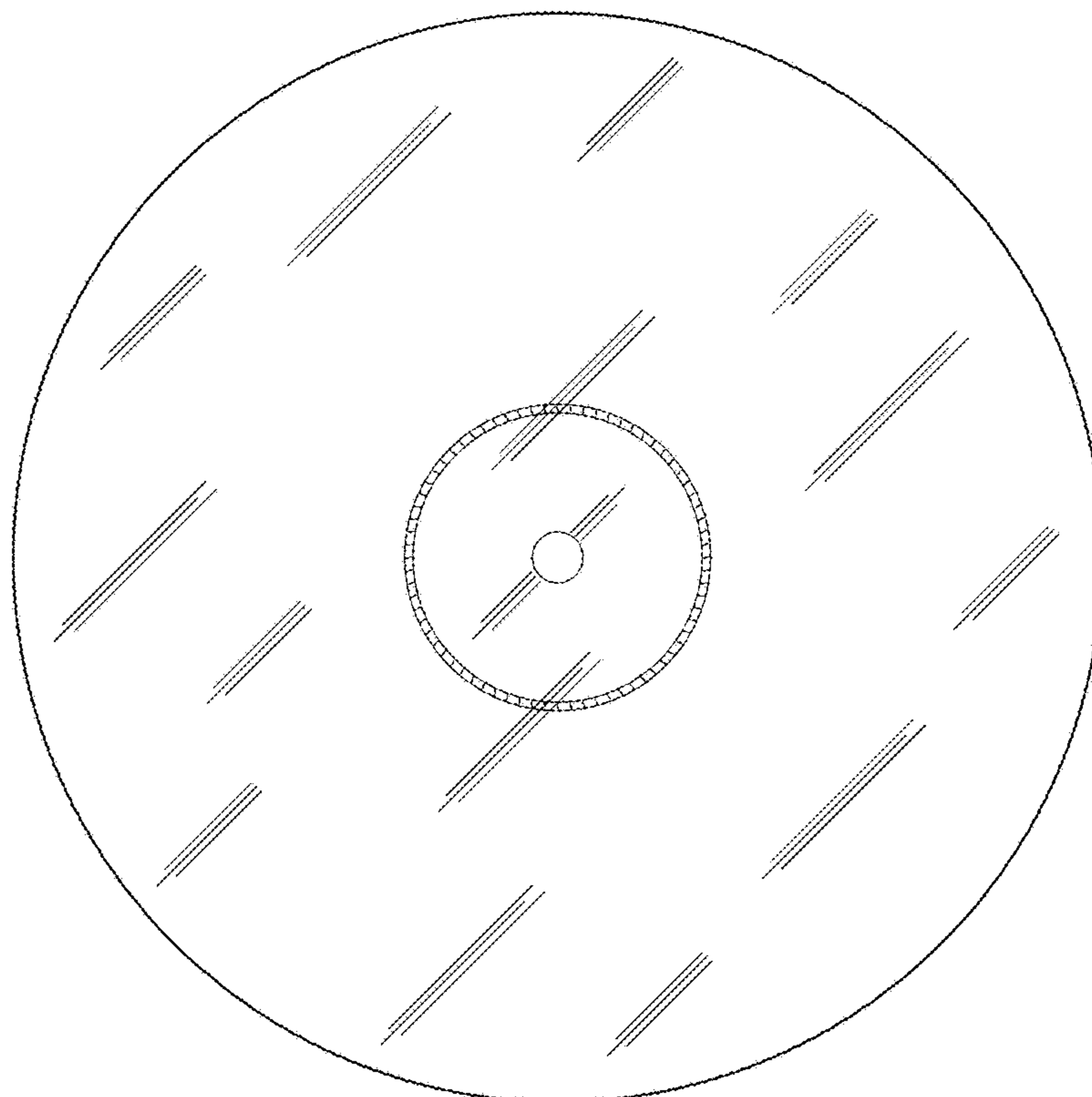
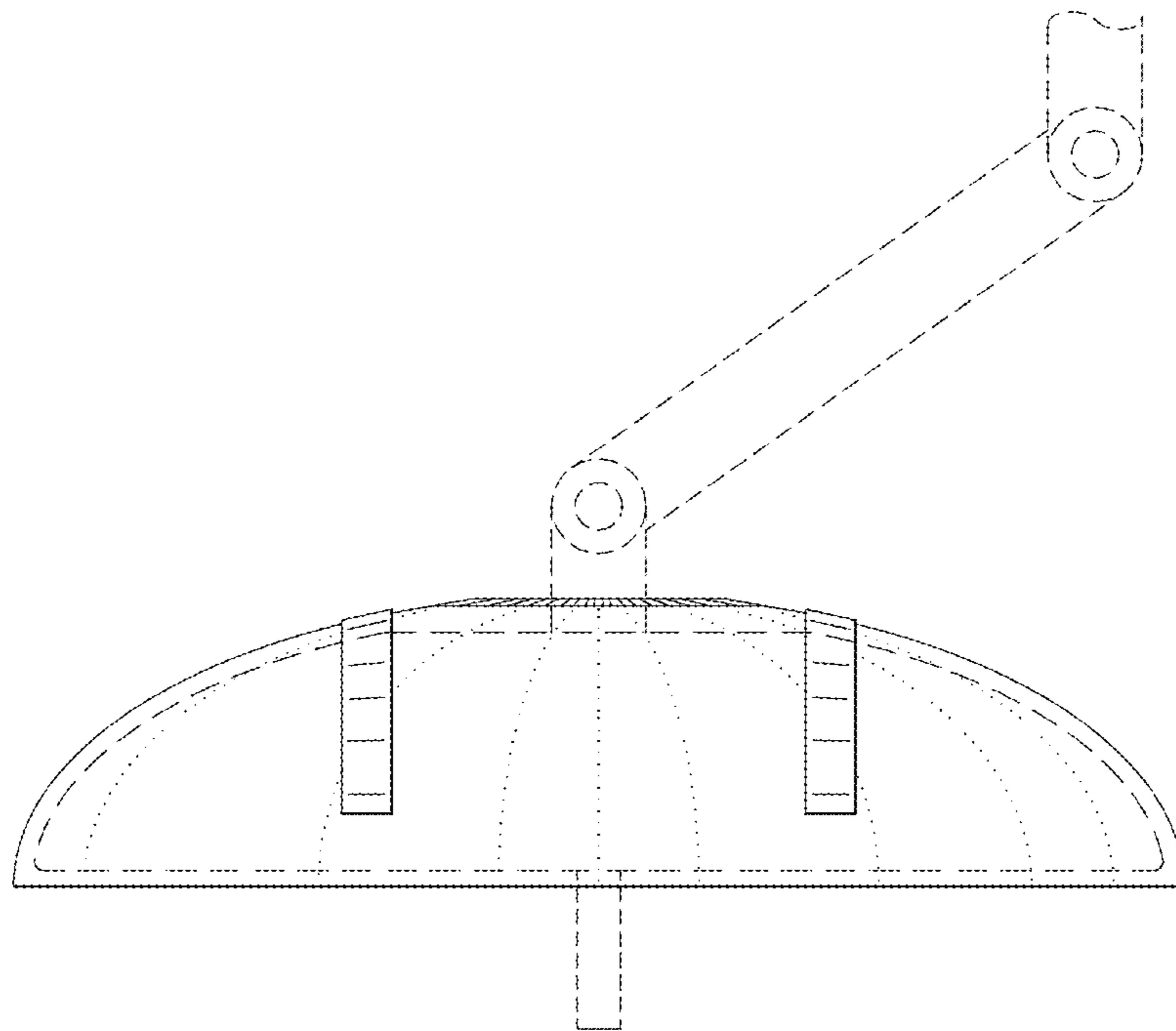
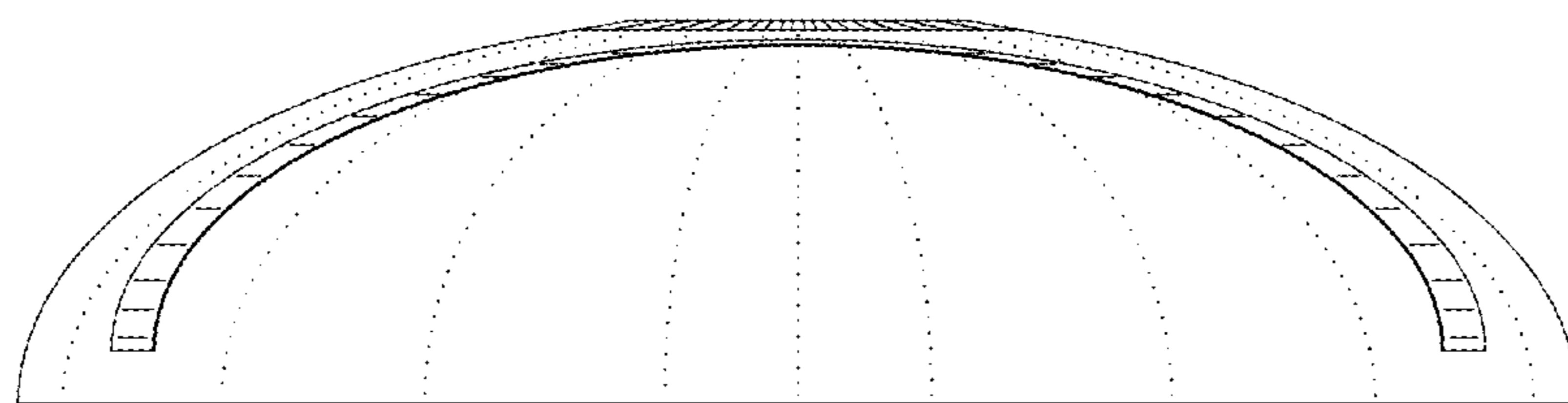


FIG. 4



**FIG. 5**



**FIG. 6**