



US00D787109S

(12) **United States Design Patent** (10) **Patent No.:** **US D787,109 S**  
**Sonneman** (45) **Date of Patent:** **\*\* May 16, 2017**

(54) **PENDANTS FOR LIGHT FIXTURES**

(71) Applicant: **Robert A. Sonneman**, Mamaroneck, NY (US)

(72) Inventor: **Robert A. Sonneman**, Mamaroneck, NY (US)

(\*\*) Term: **15 Years**

(21) Appl. No.: **29/551,563**

(22) Filed: **Jan. 14, 2016**

(51) **LOC (10) Cl.** ..... **26-99**

(52) **U.S. Cl.**  
USPC ..... **D26/118; D26/128**

(58) **Field of Classification Search**  
USPC ..... D26/81-91, 118, 128  
CPC .... F21S 8/04; F21S 8/043; F21S 8/046; F21S 8/06; F21S 8/061; F21S 8/063; F21S 8/065

See application file for complete search history.

(56) **References Cited**

**U.S. PATENT DOCUMENTS**

D317,058 S	5/1991	Sonneman	
D320,465 S	10/1991	Sonneman	
D567,988 S *	4/2008	Lissoni	D26/88
7,354,171 B2 *	4/2008	Pazula	F21V 21/02 362/135
D576,339 S *	9/2008	Porter	D26/80
D588,297 S *	3/2009	Rubin	D26/128
D588,301 S *	3/2009	Sabernig	D26/88
D625,457 S *	10/2010	Sonneman	D26/85
D627,502 S *	11/2010	Zheng	D26/72
D630,365 S *	1/2011	Sabernig	D26/84
D659,883 S *	5/2012	Herremans	D26/88
D659,884 S *	5/2012	Sabernig	D26/84

D660,504 S *	5/2012	Martin	D26/136
D669,621 S *	10/2012	Sabernig	D26/84
D671,670 S	11/2012	Sonneman	
D715,986 S *	10/2014	Anastassiades	D26/88
D730,651 S *	6/2015	Perego	D6/333
D758,637 S *	6/2016	Herzog	D26/136
D770,667 S *	11/2016	Orozco	D26/135
D772,467 S *	11/2016	Sonneman	D26/88
D774,680 S *	12/2016	Vidmar	D26/84

\* cited by examiner

*Primary Examiner* — Brian N Vinson

(74) *Attorney, Agent, or Firm* — Gottlieb, Rackman & Reisman, P.C.

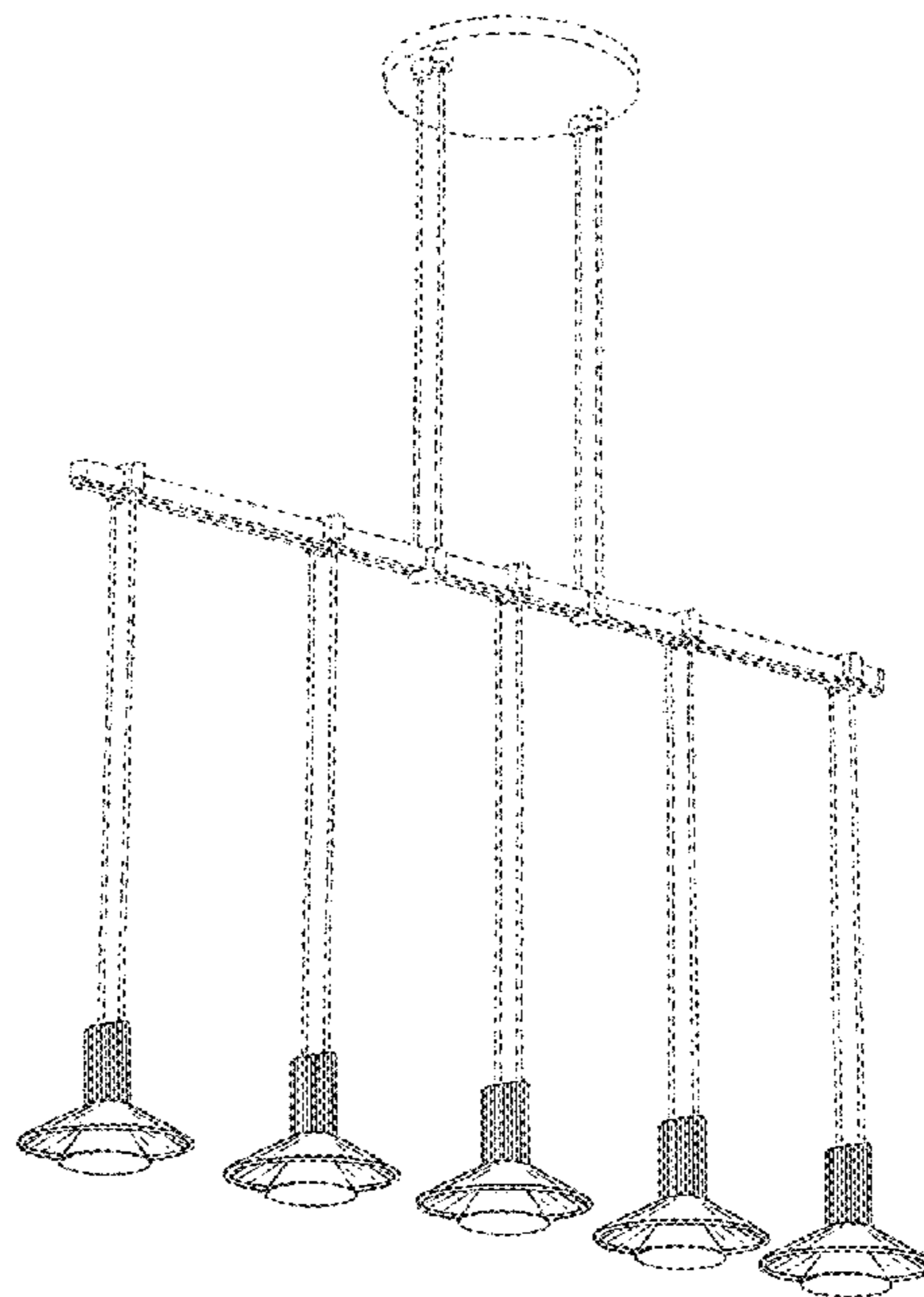
(57) **CLAIM**

The ornamental design for pendants for light fixtures, as shown and described.

**DESCRIPTION**

FIG. 1 is a perspective of a pendants for light fixtures showing my new design;  
 FIG. 2 is an enlarged perspective view of a single pendant thereof, the remaining pendants being omitted for clarity of illustration;  
 FIG. 3 is an enlarged top plan view of FIG. 2;  
 FIG. 4 is an enlarged front elevational view of FIG. 2, the rear elevational view being a mirror image;  
 FIG. 5 is an enlarged right side elevational view of FIG. 2, the left side elevational view being a mirror image; and,  
 FIG. 6 is a bottom plan view of FIG. 2.  
 The broken lines shown in the drawings are included for the purpose of illustrating portions of the article that form no part of the claimed design.

**1 Claim, 2 Drawing Sheets**



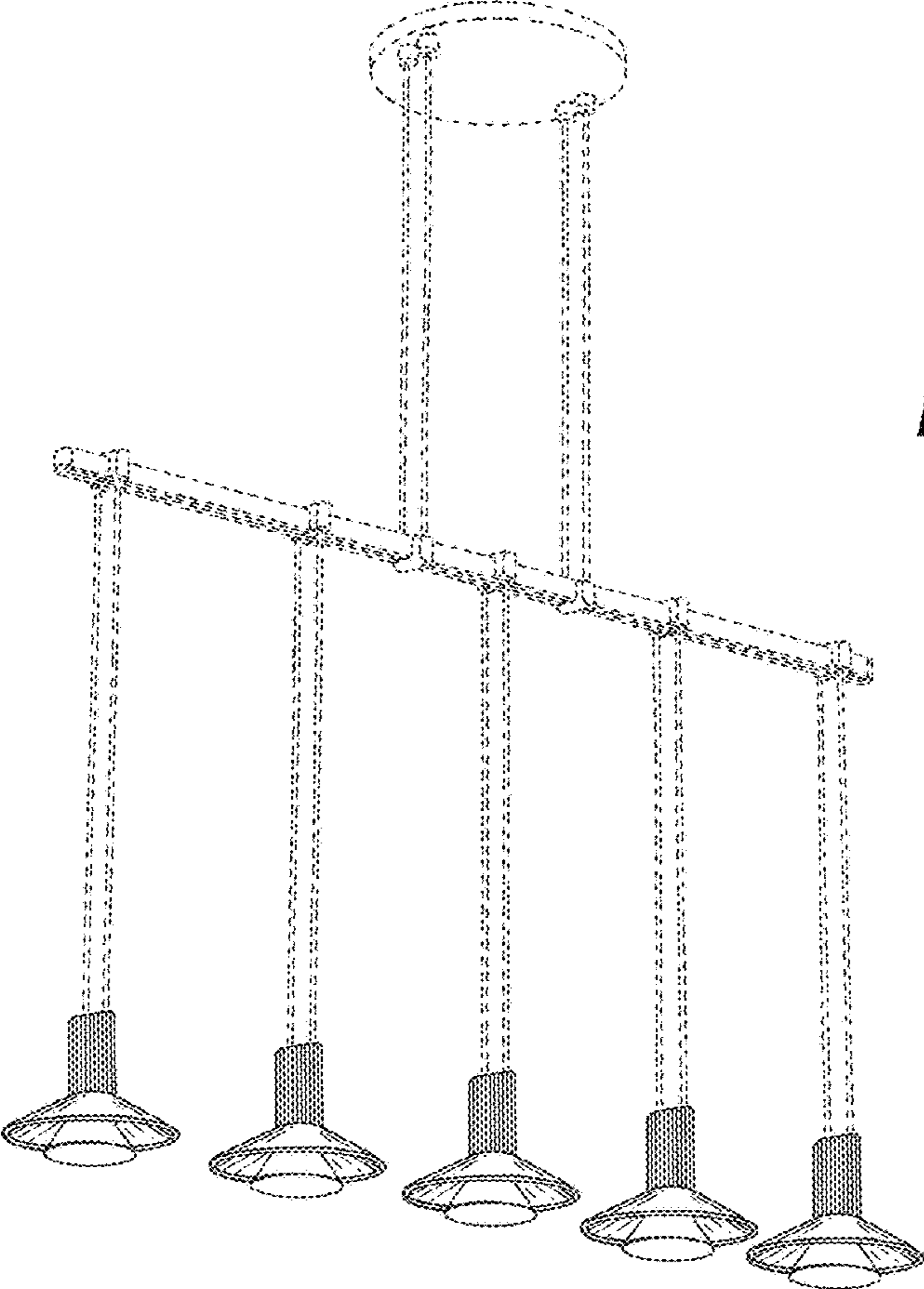


FIG. 1

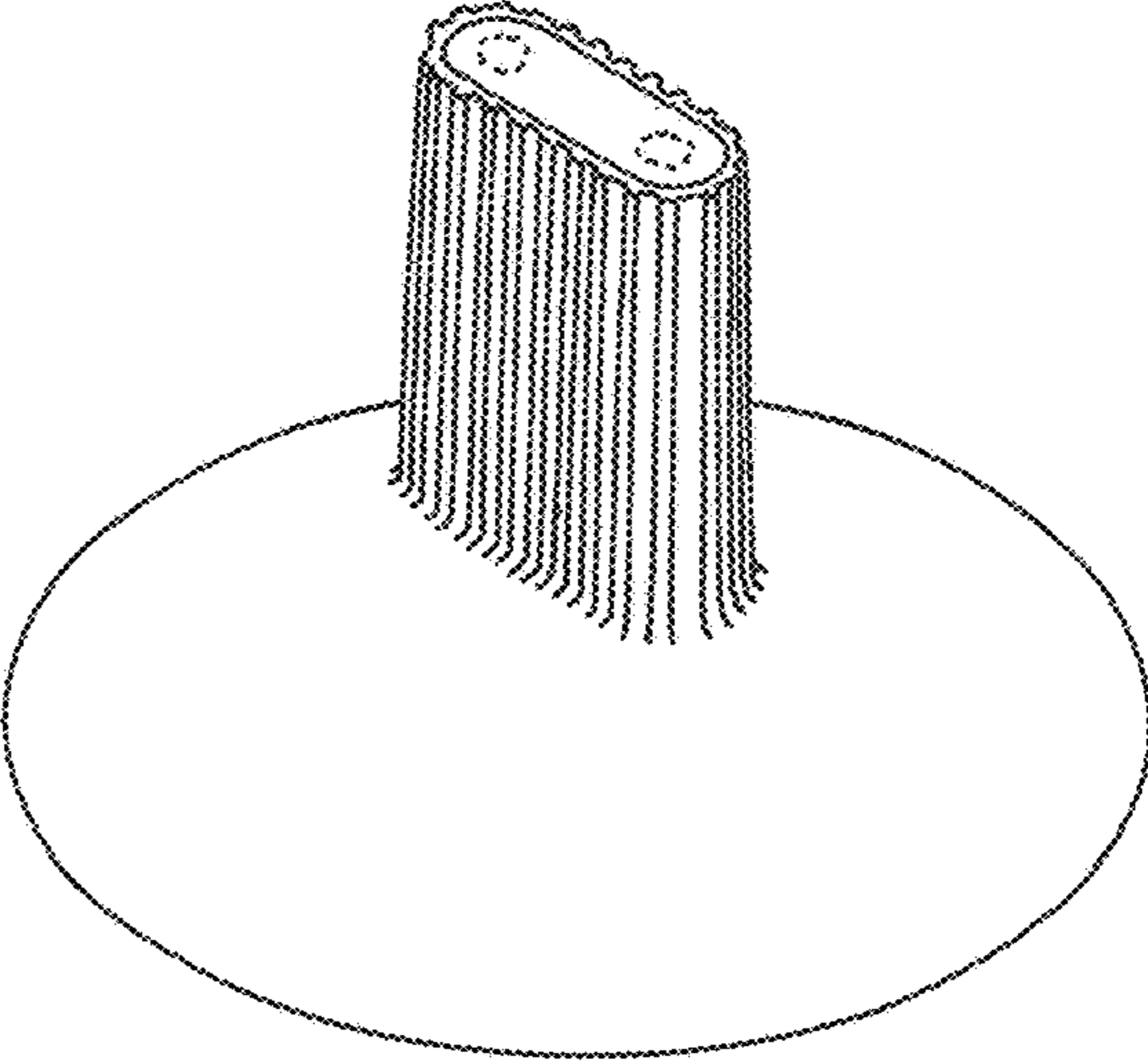


FIG. 2

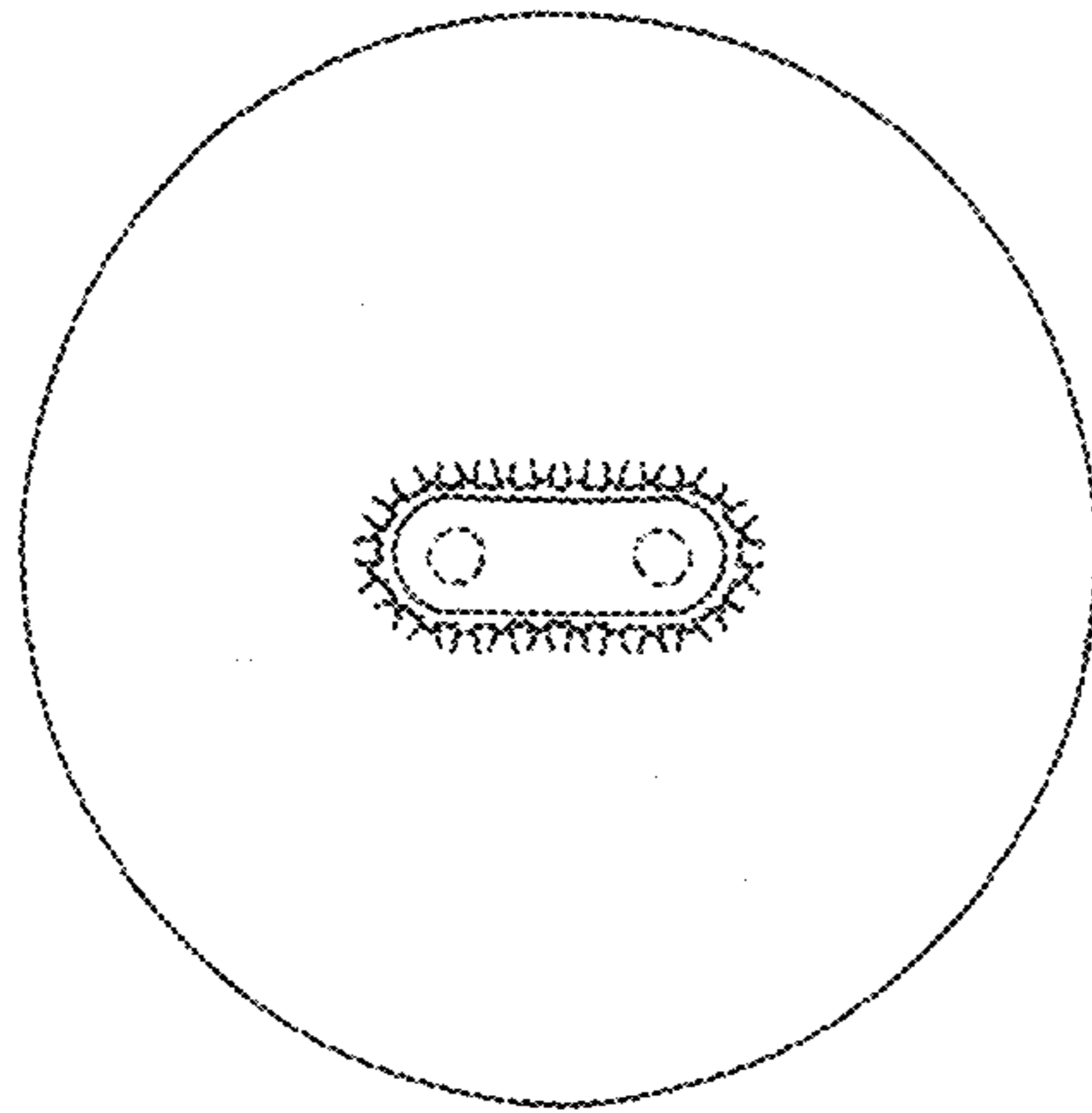


FIG. 3

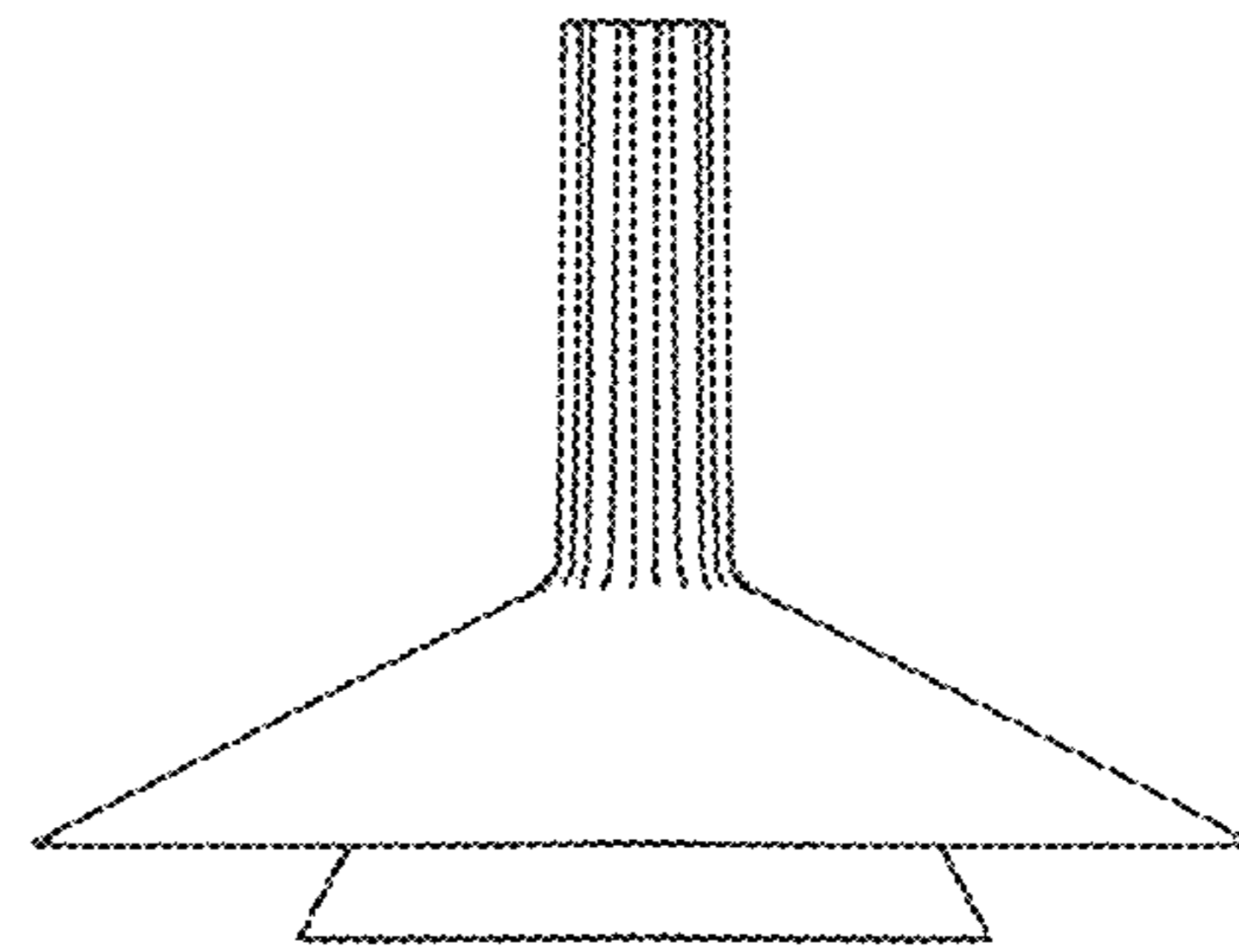


FIG. 5

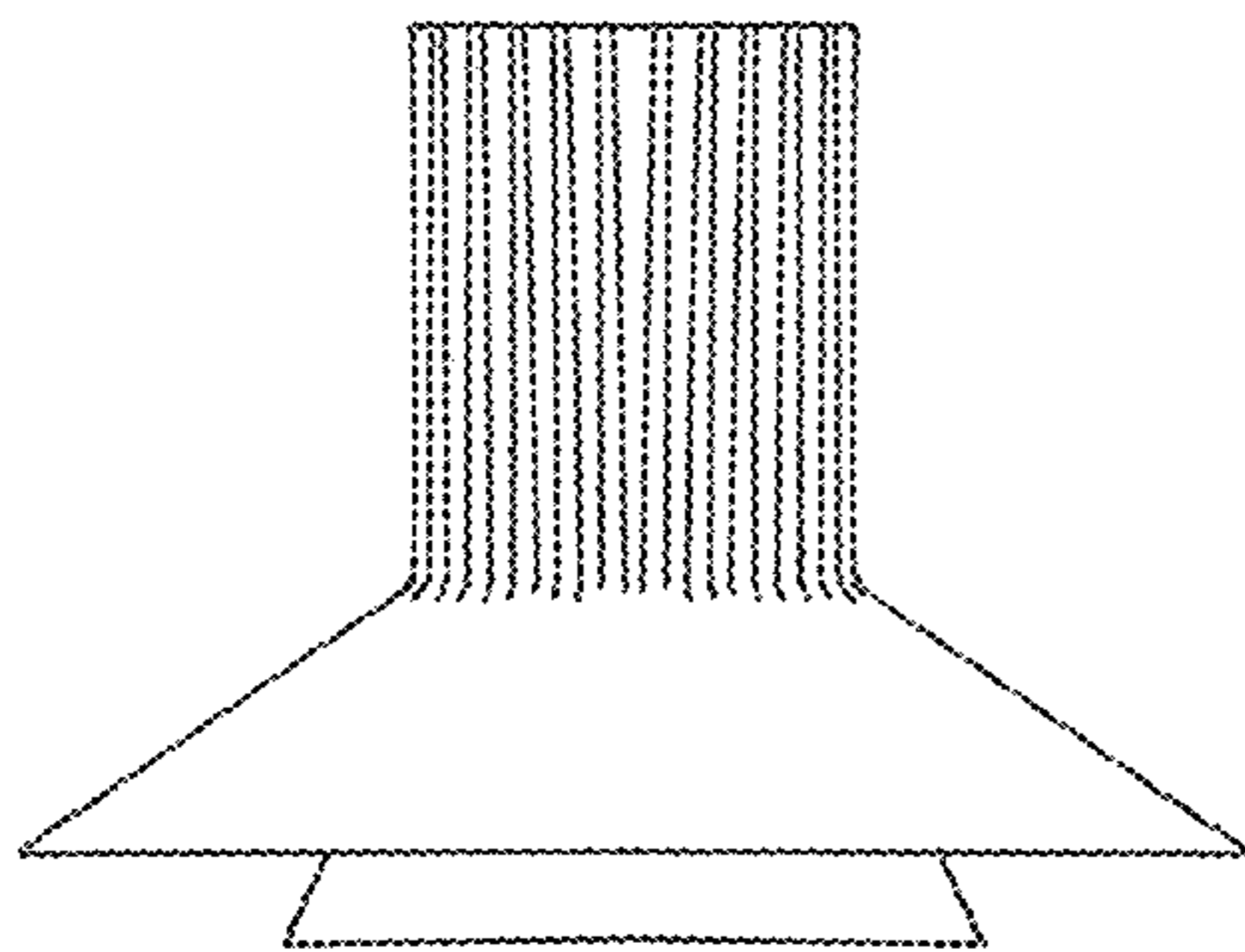


FIG. 4

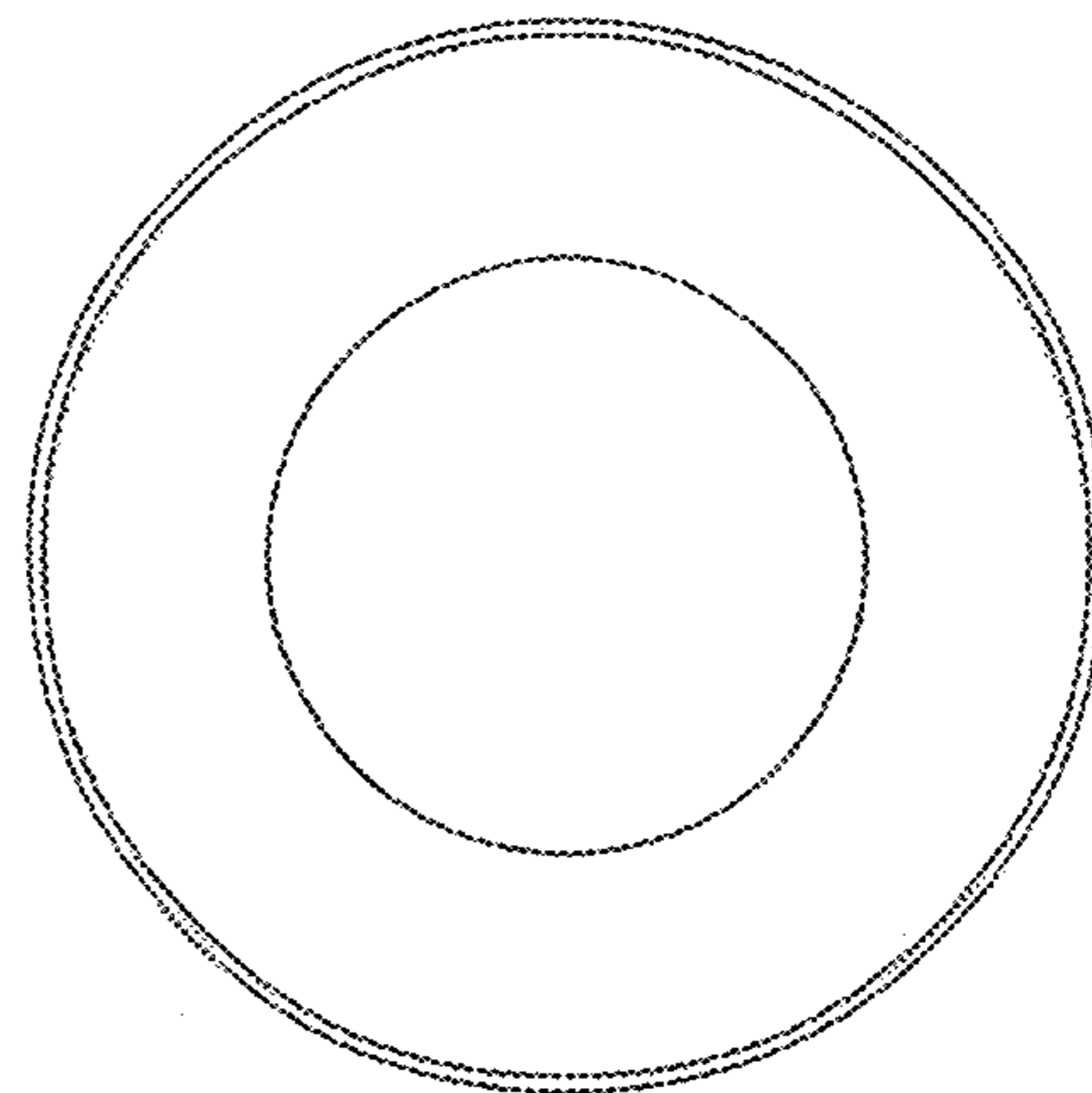


FIG. 6