



US00D787108S

(12) **United States Design Patent** (10) **Patent No.:** **US D787,108 S**
Hendifar et al. (45) **Date of Patent:** **** May 16, 2017**

- (54) **PENDANT LIGHT FIXTURE**
- (71) Applicant: **APPARATUS LLC**, New York, NY (US)
- (72) Inventors: **Gabriel Hendifar**, Rhinebeck, NY (US); **Jeremy R. Anderson**, Rhinebeck, NY (US)
- (73) Assignee: **APPARATUS LLC**, New York, NY (US)
- (**) Term: **15 Years**
- (21) Appl. No.: **29/558,102**
- (22) Filed: **Mar. 15, 2016**
- (51) **LOC (10) Cl.** **26-03**
- (52) **U.S. Cl.**
USPC **D26/88; D26/63**
- (58) **Field of Classification Search**
USPC D26/63, 76, 81, 83, 84, 86, 87, 88, 90, D26/91, 118
CPC F21S 8/04; F21S 8/043; F21S 8/046; F21S 8/06; F21S 8/061; F21S 8/063; F21S 8/065
See application file for complete search history.

D596,335 S *	7/2009	Sabernig	D26/88
D603,552 S *	11/2009	Kampe	D26/88
D614,340 S *	4/2010	Thun	D26/88
D620,631 S *	7/2010	Wildner	D26/85
D632,003 S *	2/2011	Jordan	D26/88
D636,522 S *	4/2011	Gutting	D26/137
D642,314 S *	7/2011	Van Den Akker	D26/63
D643,567 S *	8/2011	Gutting	D26/88
D643,957 S *	8/2011	Verelst	D26/65
D752,801 S *	3/2016	Martin	D26/88
D753,328 S *	4/2016	Mathews	D26/63
D780,978 S *	3/2017	Bouroullec	D26/88

* cited by examiner

Primary Examiner — Clare E Hefflin

(74) *Attorney, Agent, or Firm* — Gottlieb, Rackman & Reisman, P.C.

(57) **CLAIM**

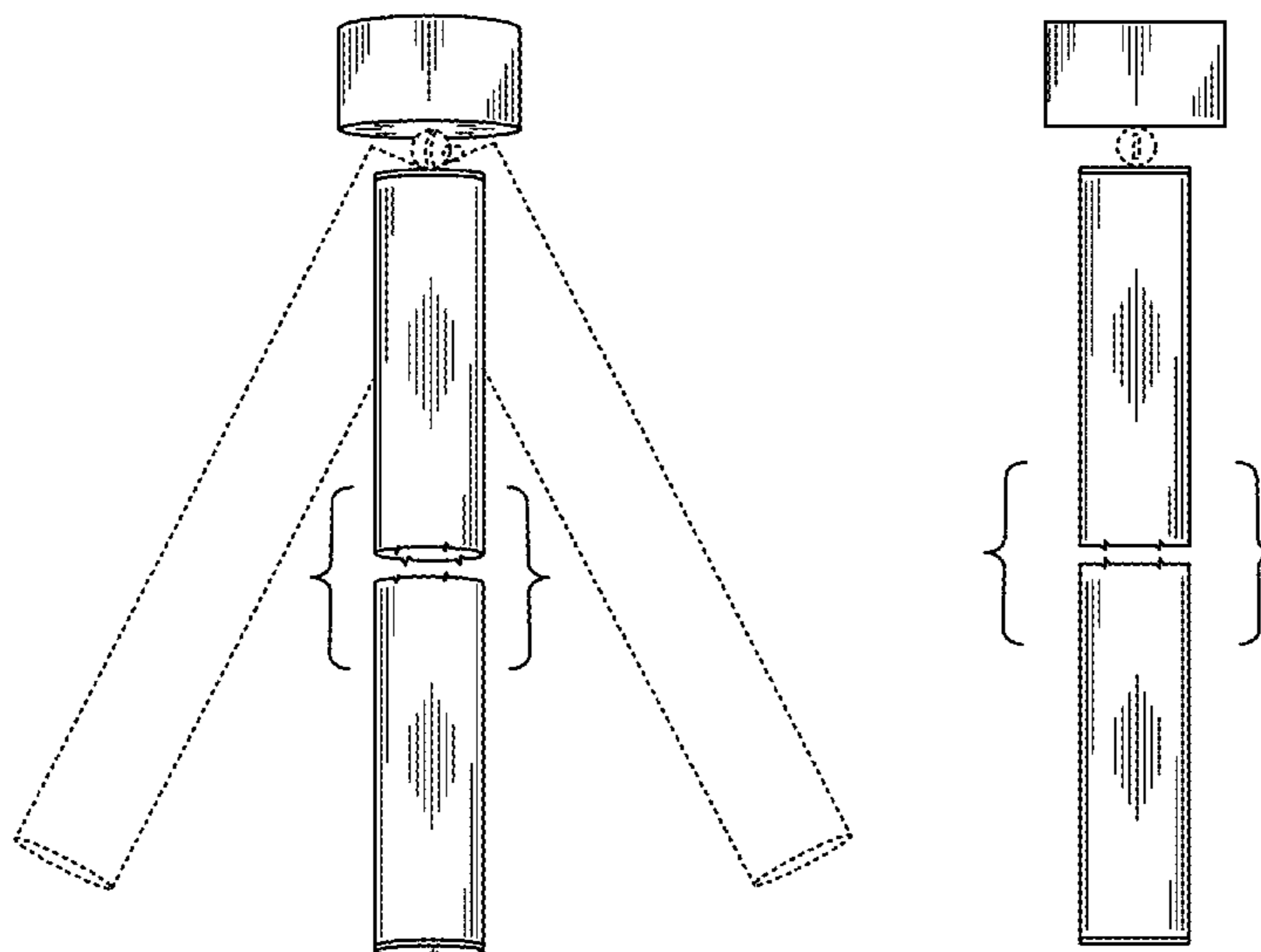
The ornamental design for a pendant light fixture, as shown and described.

DESCRIPTION

FIG. 1 is a perspective view of the pendant light fixture, showing our new design;
 FIG. 2 is a front elevation view thereof, the rear elevation view being a mirror image;
 FIG. 3 is the right side elevation view, the left side elevation view being a mirror image;
 FIG. 4 is a top plan view thereof; and,
 FIG. 5 is a bottom plan view thereof.

The break lines in FIGS. 1, 2 and 3 are to indicate that the appearance of any portion of the pendant light fixture between the break lines forms no part of the claimed design. The broken lines in FIG. 1 are to show the movement of the fixture in various directions and form no part of the claimed design, and the broken lines in FIGS. 2 and 3 represent the portions of the fixture that form no part of the claimed design as well.

1 Claim, 3 Drawing Sheets



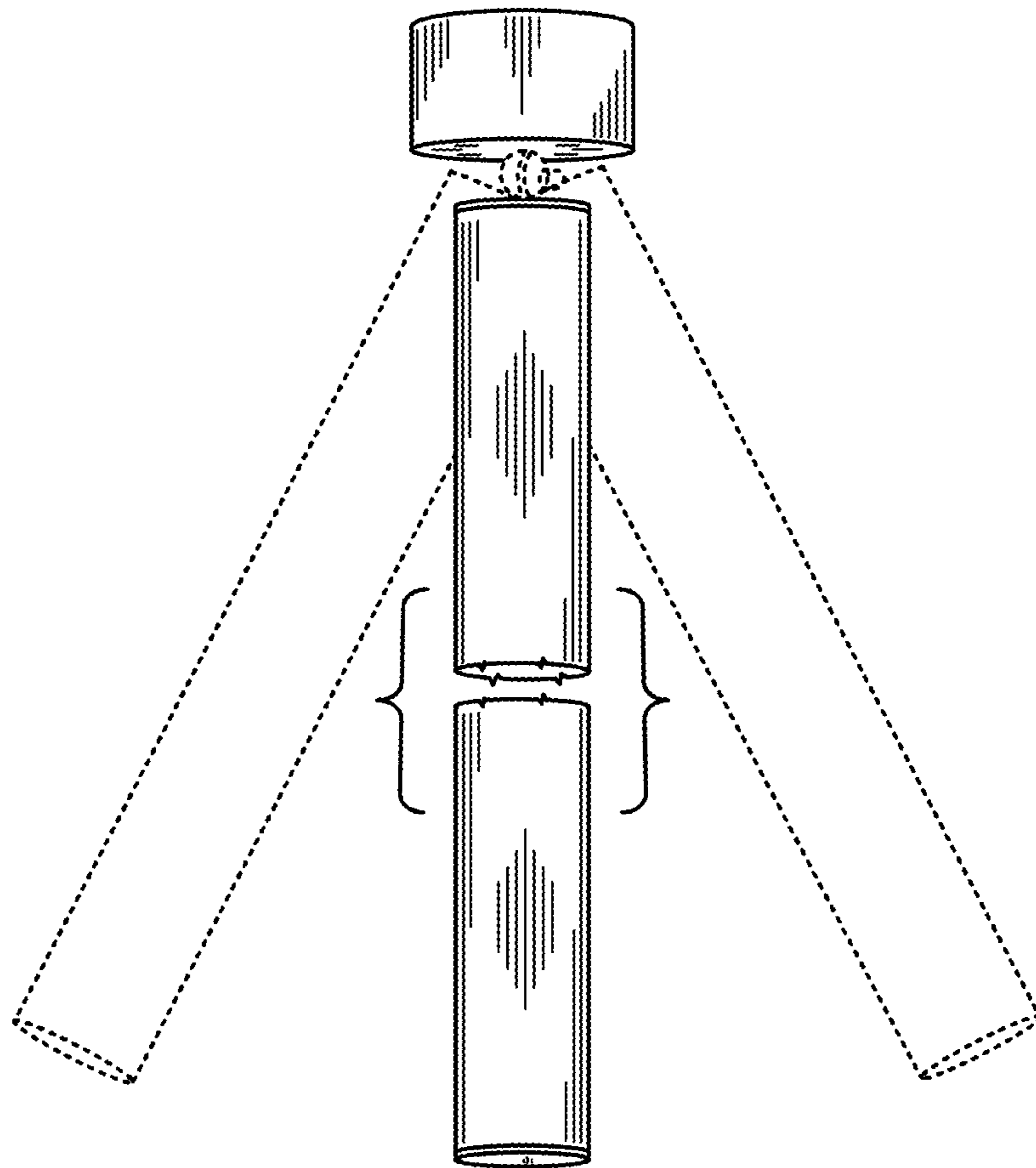


FIG. 1

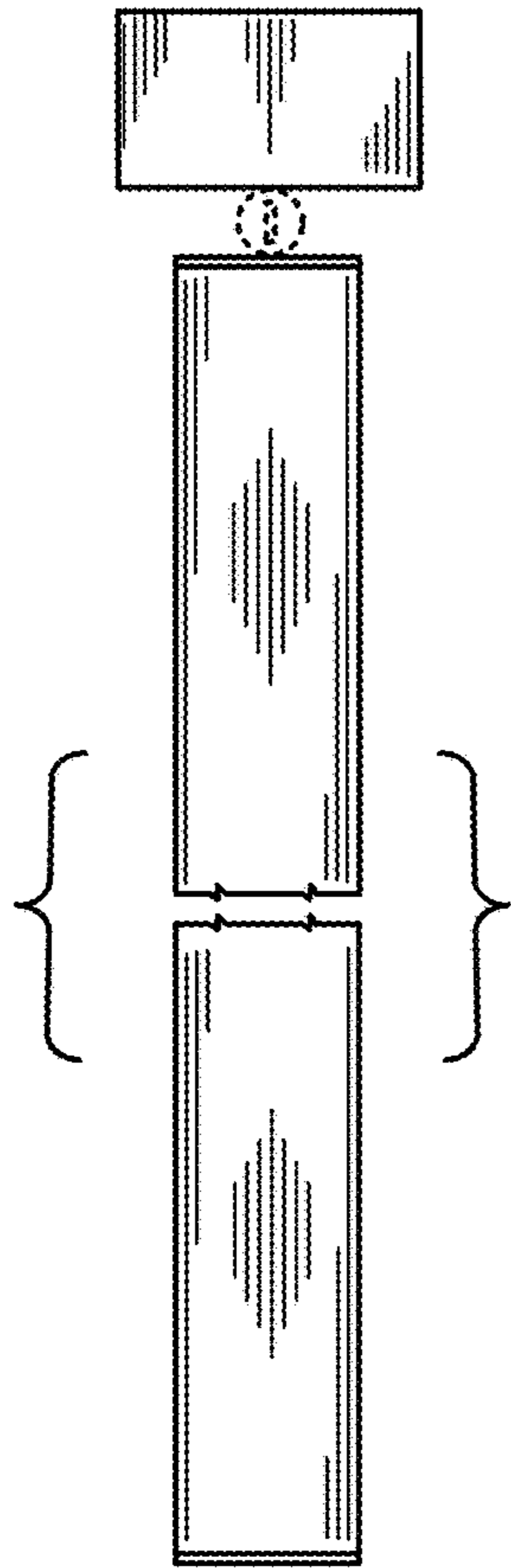


FIG. 2

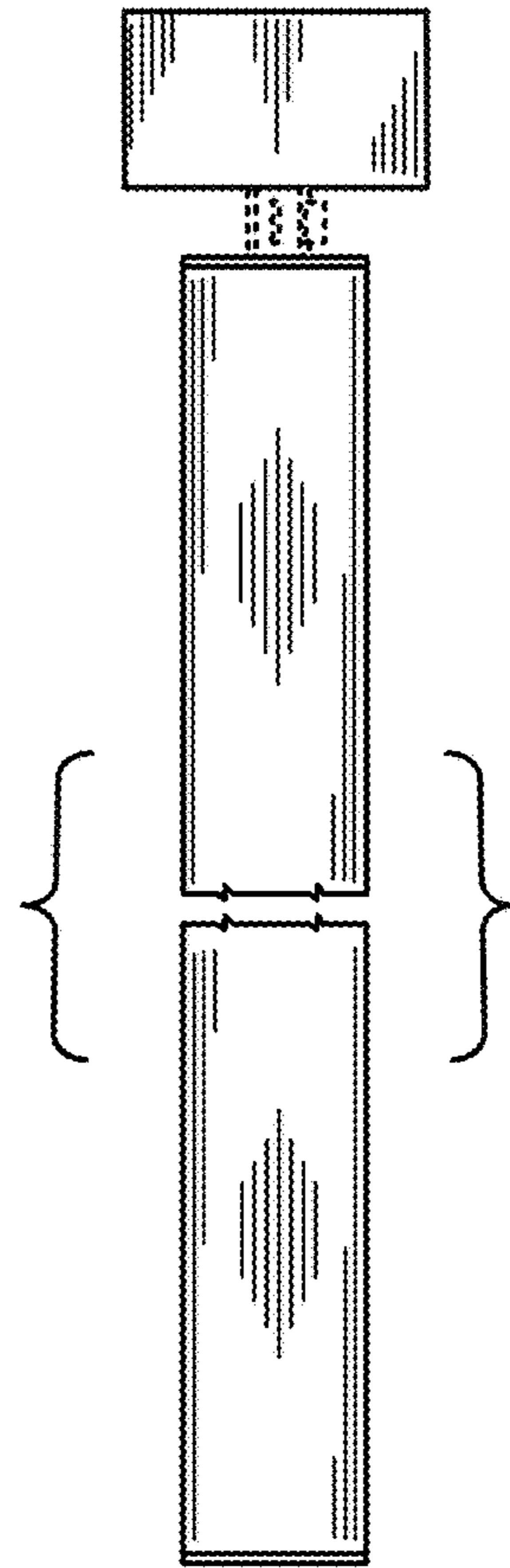


FIG. 3

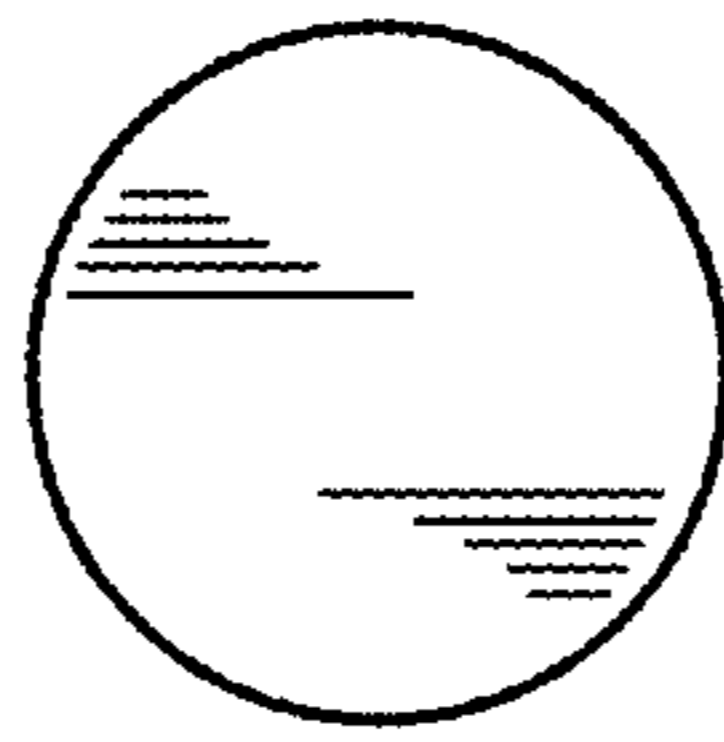


FIG. 4

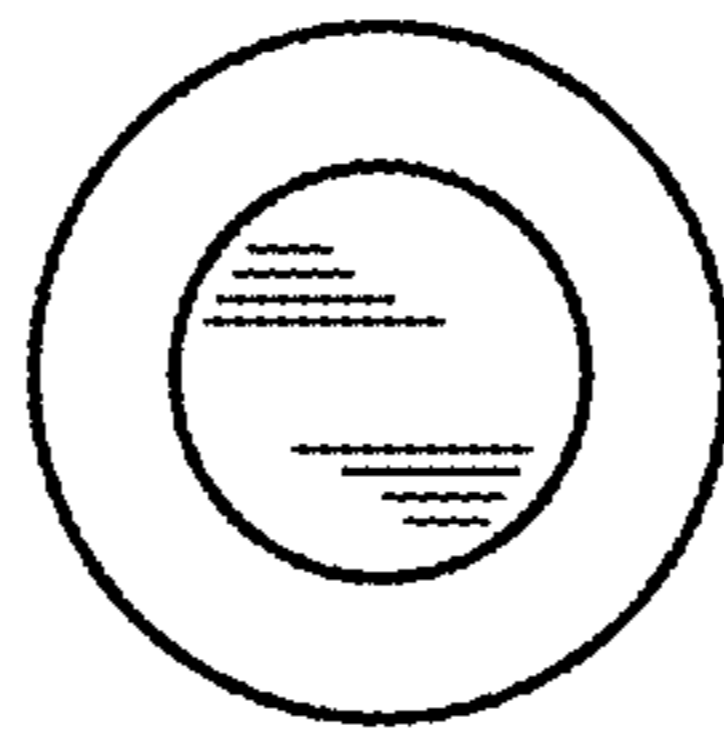


FIG. 5