



US00D787107S

(12) **United States Design Patent** (10) **Patent No.:** **US D787,107 S**  
**Burmeister et al.** (45) **Date of Patent:** **\*\* May 16, 2017**

(54) **LED MODULE**

(71) Applicants: **Jens Burmeister**, Eberbach (DE);  
**Bernd Schwarz**, Eberbach (DE)

(72) Inventors: **Jens Burmeister**, Eberbach (DE);  
**Bernd Schwarz**, Eberbach (DE)

(73) Assignee: **COOPER CROUSE-HINDS GMBH**,  
Soest (DE)

(\*\*) Term: **15 Years**

(21) Appl. No.: **29/551,240**

(22) Filed: **Jan. 12, 2016**

**Related U.S. Application Data**

(62) Division of application No. 29/479,320, filed on Jan. 14, 2014, now Pat. No. Des. 758,634.

(30) **Foreign Application Priority Data**

Jul. 15, 2013 (EM) ..... 002274514

(51) **LOC (10) Cl.** ..... **26-03**

(52) **U.S. Cl.**  
USPC ..... **D26/76**

(58) **Field of Classification Search**

USPC ..... D26/71, 72, 75, 76, 78, 79, 80, 81, 82,  
D26/83, 85, 86, 88, 90, 113, 118, 119,  
D26/120, 121, 122, 138

CPC ..... F21S 2/00; F21S 4/00; F21S 4/003; F21S  
4/005; F21S 4/006; F21S 4/007; F21S  
4/008; F21S 6/00; F21S 8/00; F21S  
8/024; F21S 8/026; F21S 8/031; F21S  
8/033; F21S 8/035-8/037; F21S 8/04;  
F21S 8/043; F21S 8/063

See application file for complete search history.

(56) **References Cited**

U.S. PATENT DOCUMENTS

D168,943 S 3/1953 Levaur  
2,795,692 A 6/1957 Lemmers  
D306,773 S \* 3/1990 Roulstone ..... D26/78  
D487,598 S 3/2004 Schuetz et al.  
D547,481 S 7/2007 Tseng  
D569,027 S \* 5/2008 Hakamada ..... D26/76  
D675,365 S 1/2013 Beghelli  
D703,858 S 4/2014 Miller

(Continued)

FOREIGN PATENT DOCUMENTS

EP 1635113 3/2006  
JP D1439658 5/2012

(Continued)

OTHER PUBLICATIONS

Intellectual Property Office of Taiwan, Office Action issue in Taiwanese patent application No. 103114553, issued on Mar. 18, 2016, 6 pages, translation of office action 7 pages, Taiwan.

(Continued)

*Primary Examiner* — George D Kirschbaum

*Assistant Examiner* — Natasha Vujcic

(74) *Attorney, Agent, or Firm* — King & Spalding LLP

(57) **CLAIM**

The ornamental design for an LED module, as shown and described.

**DESCRIPTION**

FIG. 1 is a top view of an LED module, showing our new design;

FIG. 2 is a bottom view thereof;

FIG. 3 is a left side view thereof;

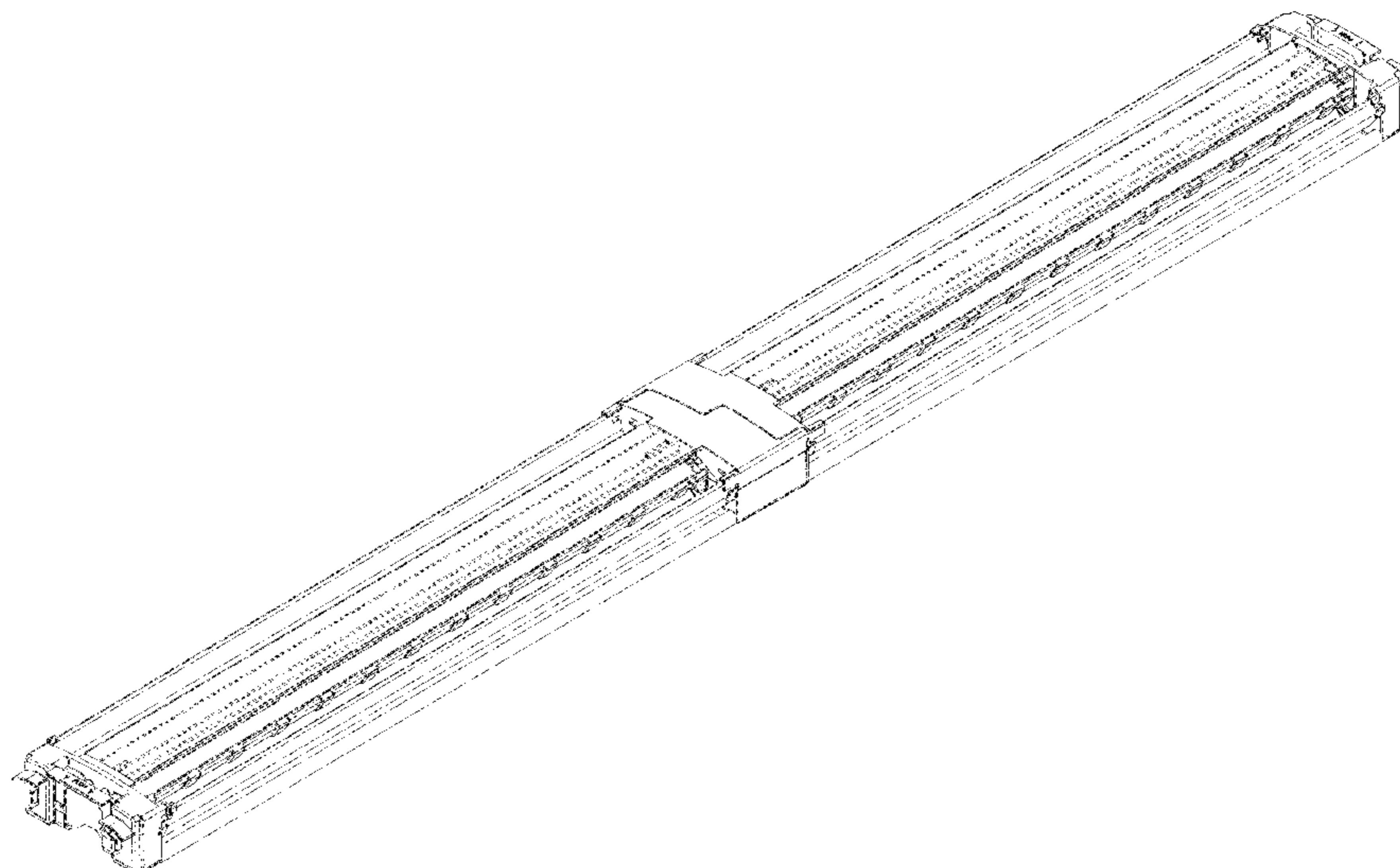
FIG. 4 is a right side view thereof;

FIG. 5 is a front view thereof;

FIG. 6 is a rear view thereof; and,

FIG. 7 is a perspective view thereof.

**1 Claim, 7 Drawing Sheets**



(56)

**References Cited**

U.S. PATENT DOCUMENTS

D706,481	S *	6/2014	Holland	.....	D26/78
D711,037	S *	8/2014	Lehman	.....	D26/77
D712,582	S *	9/2014	Yanping	.....	D26/74
D733,952	S	7/2015	Lay et al.		
D747,539	S *	1/2016	Santoro	.....	D26/120
D758,634	S *	6/2016	Burmeister	.....	D26/77
D771,858	S *	11/2016	Wu	.....	D26/76
2010/0289428	A1	11/2010	Frazier et al.		
2013/0193857	A1 *	8/2013	Tlachac	.....	H05B 37/02 315/153
2013/0286637	A1 *	10/2013	Lay	.....	F21K 9/17 362/147
2014/0204570	A1 *	7/2014	Burmeister	.....	F21V 3/00 362/218
2016/0102814	A1 *	4/2016	Green	.....	F21S 4/008 362/221

FOREIGN PATENT DOCUMENTS

JP	D1462671	2/2013
TW	D119958	11/2007
TW	D133231	2/2010
WO	2012114097	8/2012

OTHER PUBLICATIONS

Translation of EP 1635113, via LexisNexis Total Patent, 3 pages.  
 Sacepe, Nicolas, International Search Report and Written Opinion  
 issued in PCT/EP2014/001400, Jul. 18, 2014, 8 pages, European  
 Patent Office, The Netherlands.  
 Taiwan Intellectual Property Office, Office Action issued in Tai-  
 wanese Application No. 103300244, Jun. 25, 2014, 7 pages with  
 translation.

\* cited by examiner

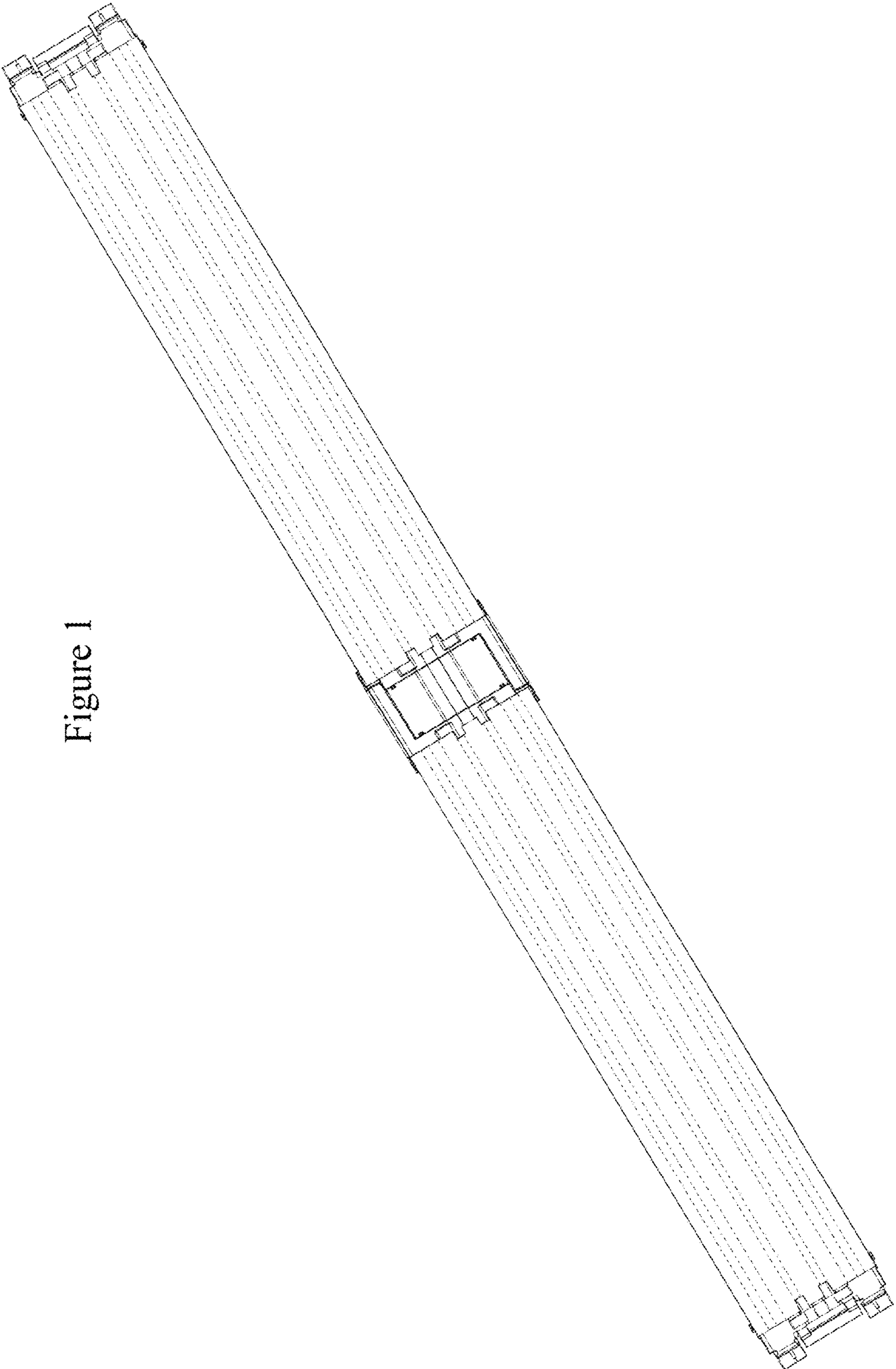


Figure 1

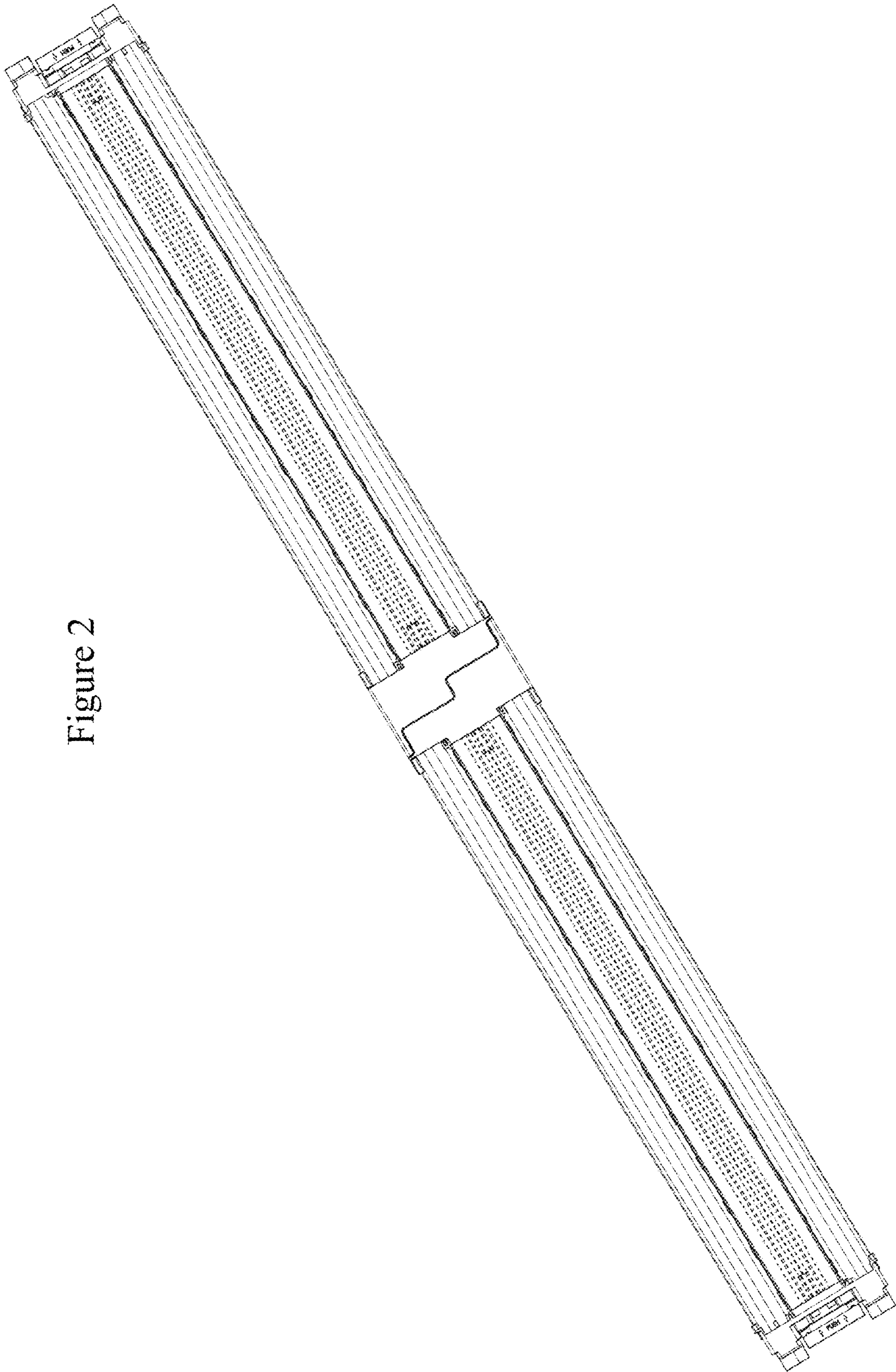


Figure 2

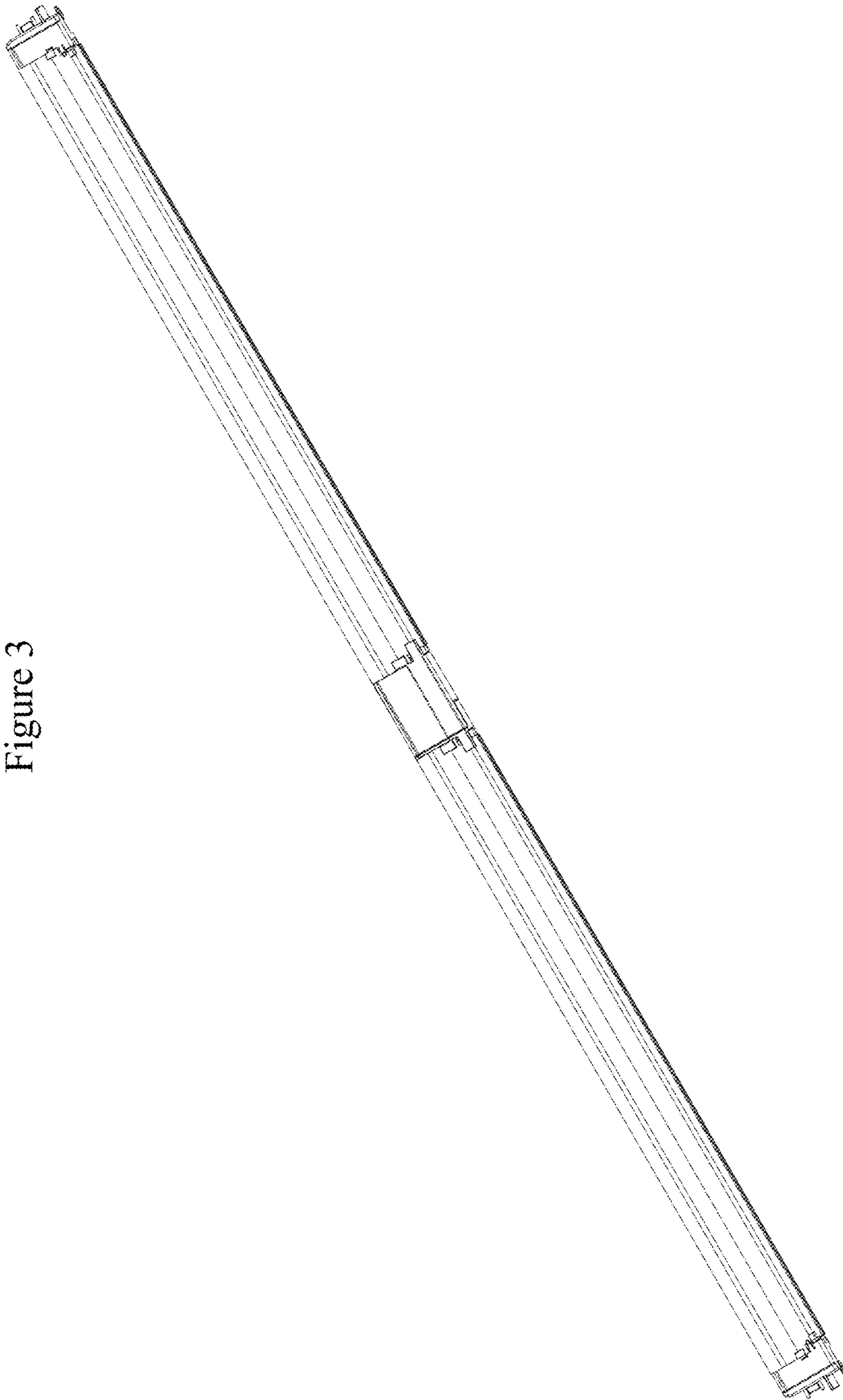


Figure 3

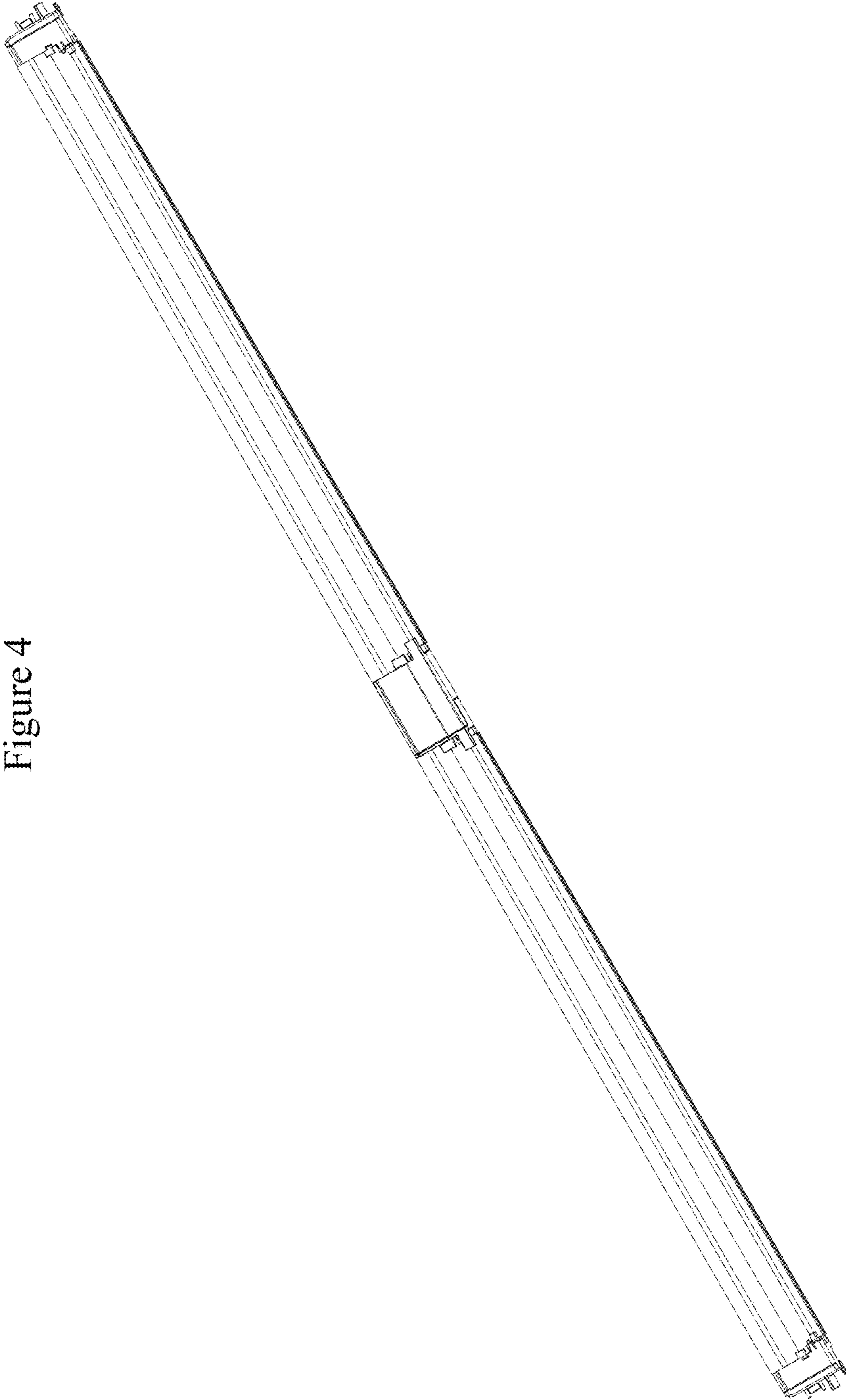


Figure 4

Figure 5

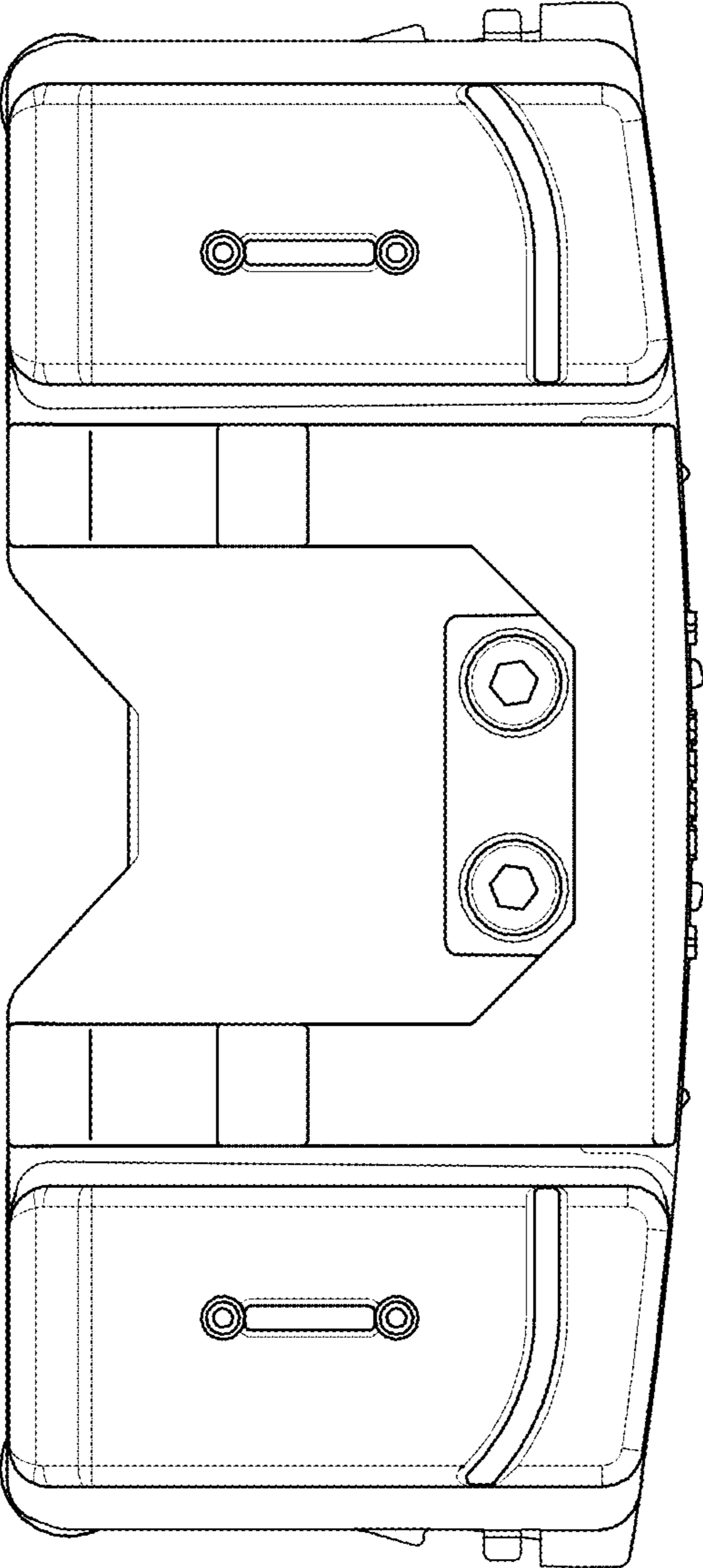
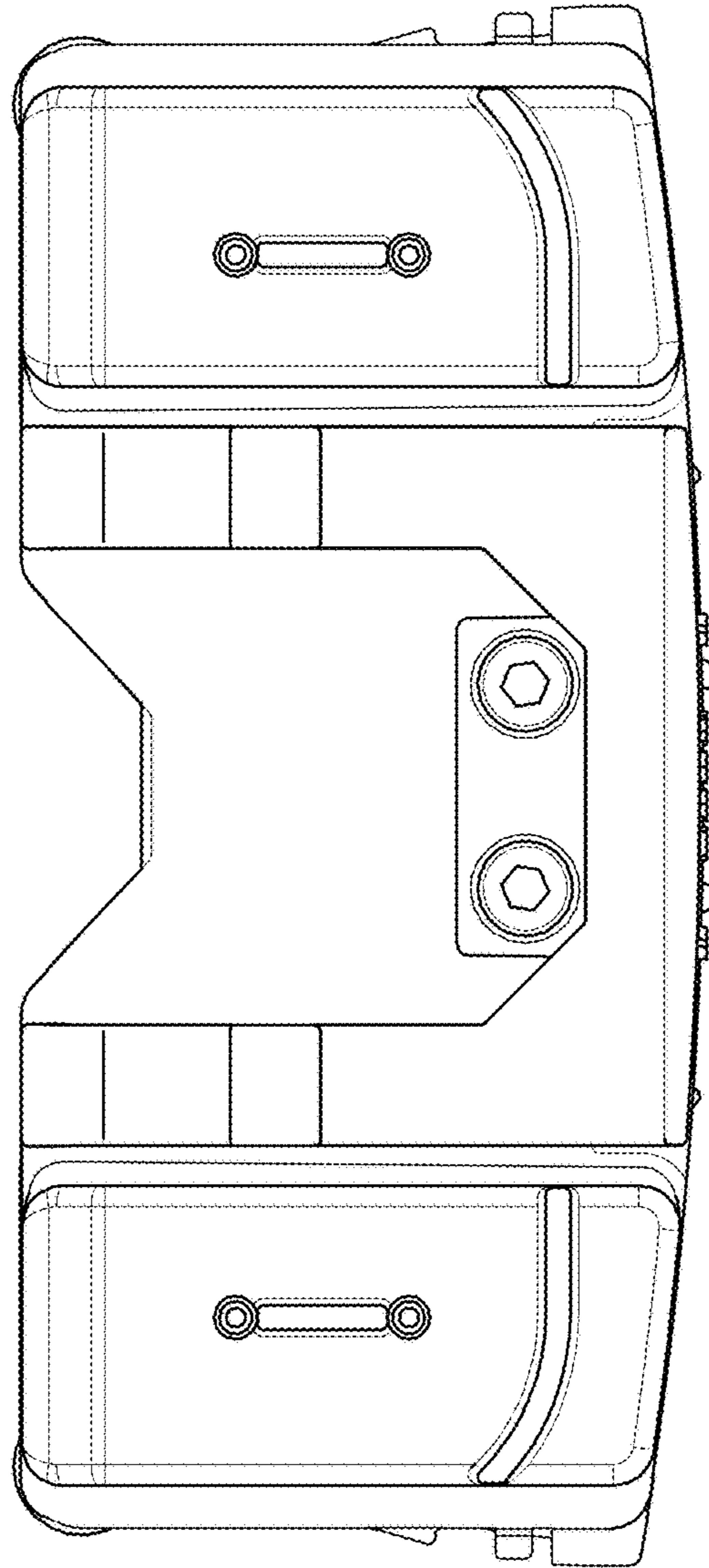


Figure 6





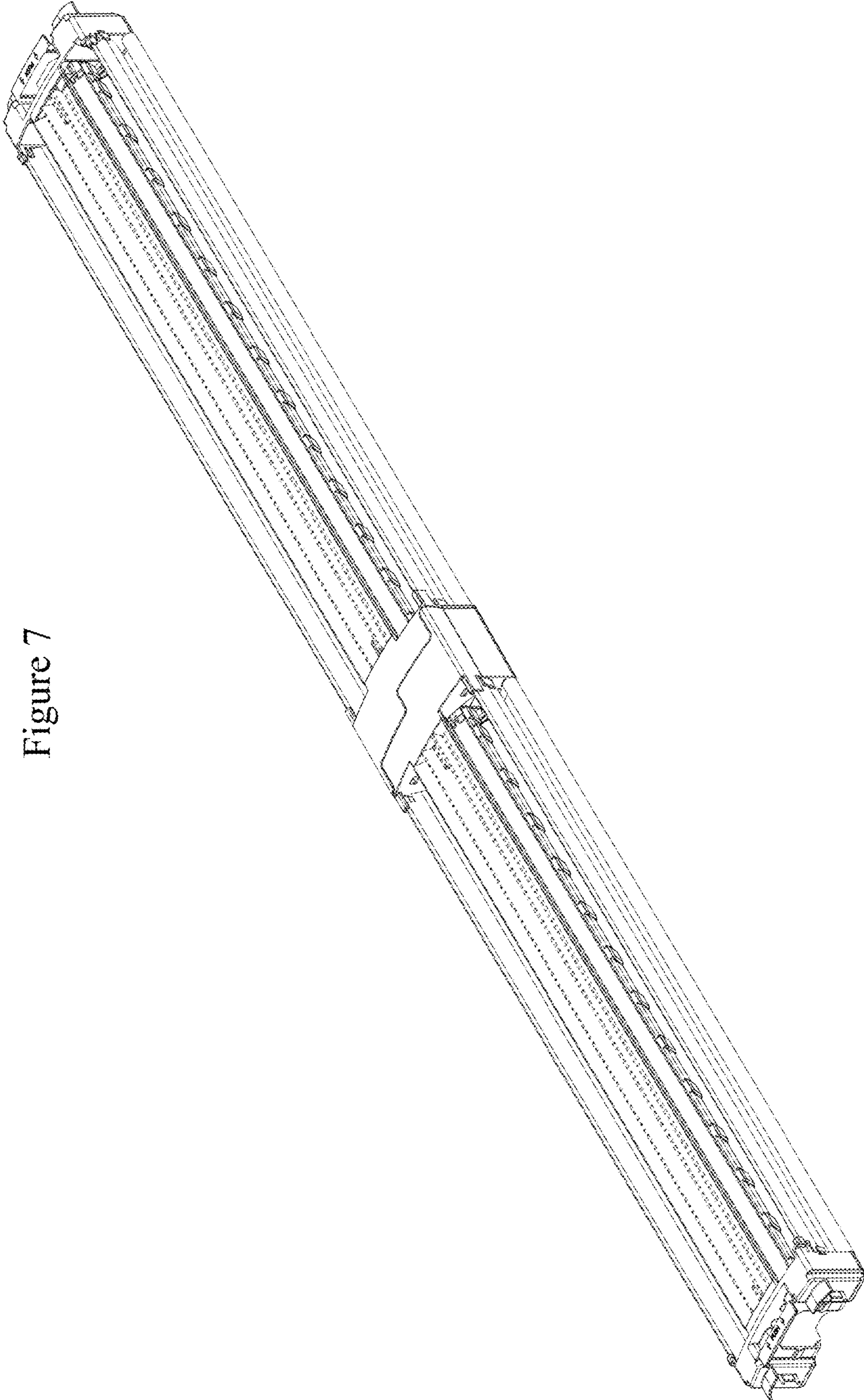


Figure 7