



US00D787106S

(12) **United States Design Patent** (10) **Patent No.:** **US D787,106 S**  
**Tai** (45) **Date of Patent:** **\*\* May 16, 2017**

(54) **RECESSED CEILING LIGHT**  
(71) Applicant: **YOUNG YEAR ELECTRONICS CO., LTD.**, Taoyuan (TW)  
(72) Inventor: **Chin-Chung Tai**, Taoyuan (TW)  
(73) Assignee: **TAIWAN YOUNG YEAR ELECTRONICS CO., LTD.**, Taoyuan (TW)

D638,975 S \* 5/2011 Hyland ..... D26/74  
D641,913 S \* 7/2011 Lagutko ..... D26/74  
D646,829 S \* 10/2011 Pan ..... D26/74  
D663,881 S \* 7/2012 Janssen ..... D26/74  
D677,821 S \* 3/2013 Jeon ..... D26/74  
D693,952 S \* 11/2013 Soni ..... D26/74  
D695,442 S \* 12/2013 Speier ..... D26/74  
D770,075 S \* 10/2016 Huang ..... D26/74  
D770,661 S \* 11/2016 Huang ..... D26/74

\* cited by examiner

(\*\*) Term: **15 Years**

Primary Examiner — Angela J Lee

(21) Appl. No.: **29/557,130**

(22) Filed: **Mar. 6, 2016**

(57) **CLAIM**

(51) **LOC (10) Cl.** ..... **26-05**  
(52) **U.S. Cl.**  
USPC ..... **D26/74**

The ornamental design for recessed ceiling light, as shown.

(58) **Field of Classification Search**  
USPC ..... D26/74, 72, 75, 76, 77, 78, 85, 88, 89,  
D26/118, 138, 141; 362/364, 365, 373,  
362/145, 146, 147, 148, 150, 153, 153.1,  
362/294, 296.01, 296.07, 296.08  
CPC ..... F21V 29/2262; F21V 7/06; F21V 21/044;  
F21V 21/047; F21V 29/2212; F21V  
29/2225; F21V 29/2256; F21V 29/225;  
F21V 29/2268; F21Y 2111/002; F21S  
8/02; F21S 8/026  
See application file for complete search history.

**DESCRIPTION**

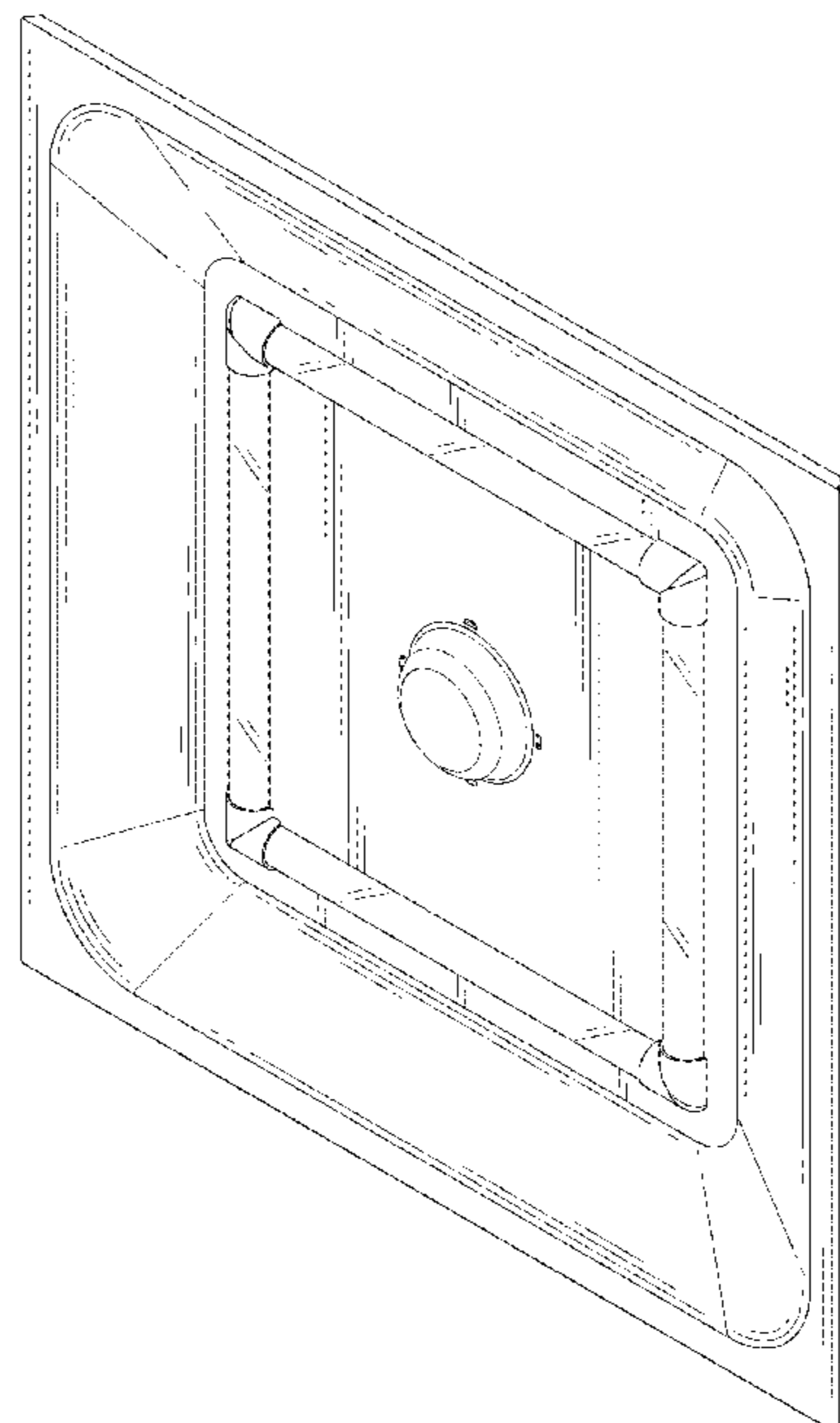
FIG. 1 is a front perspective view of a recessed ceiling light showing my new design;  
FIG. 2 is a front elevational view thereof;  
FIG. 3 is a rear elevational view thereof;  
FIG. 4 is a left side elevational view thereof;  
FIG. 5 is a right side elevational view thereof;  
FIG. 6 is a top plan view thereof; and,  
FIG. 7 is a bottom plan view thereof.

(56) **References Cited**

**U.S. PATENT DOCUMENTS**

D592,347 S \* 5/2009 Trott ..... D26/118  
D613,445 S \* 4/2010 Beghelli ..... D26/74  
D628,733 S \* 12/2010 Cobb, III ..... D26/74  
D633,636 S \* 3/2011 Gielen ..... D26/74

**1 Claim, 6 Drawing Sheets**



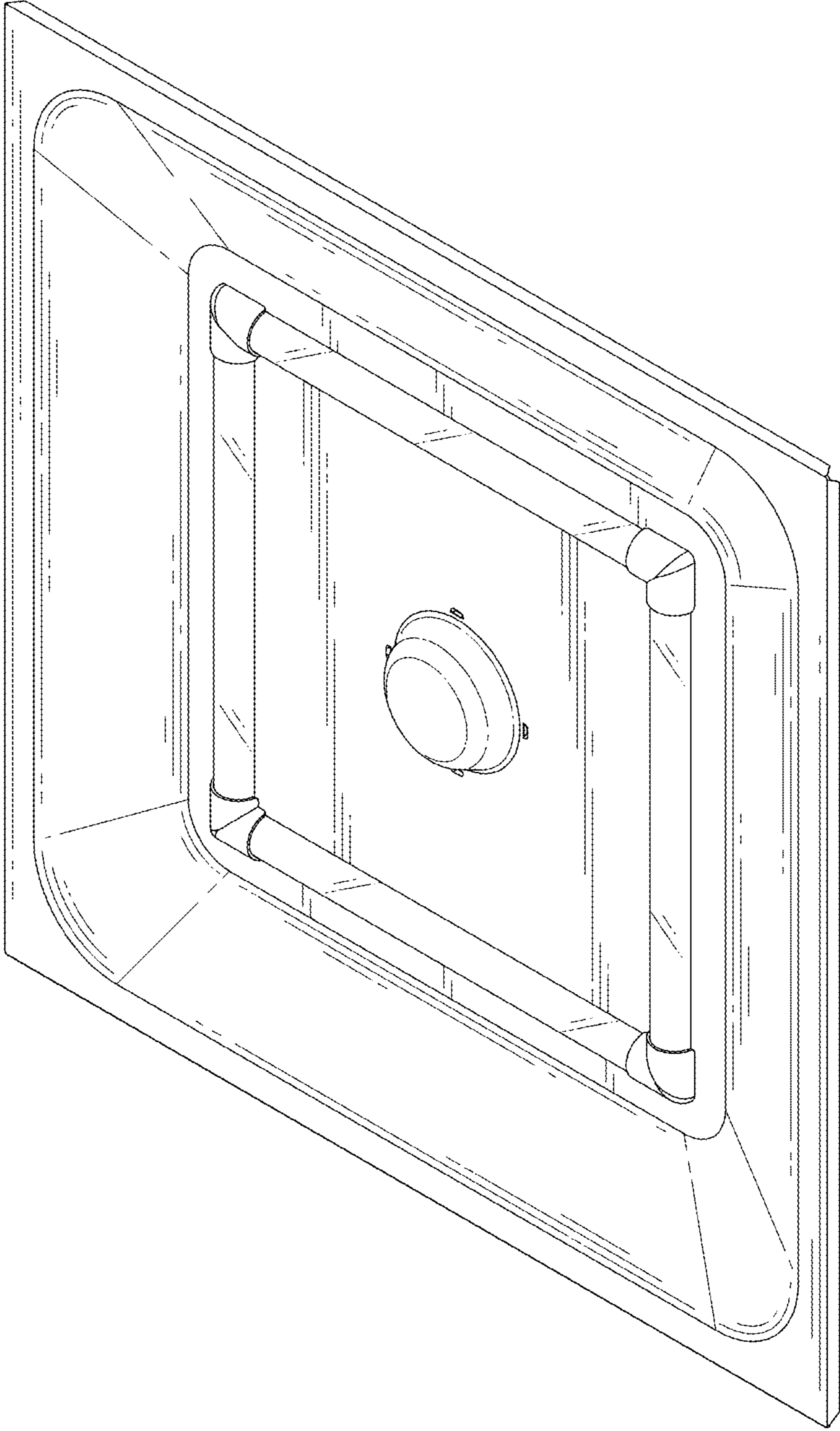


Fig.1

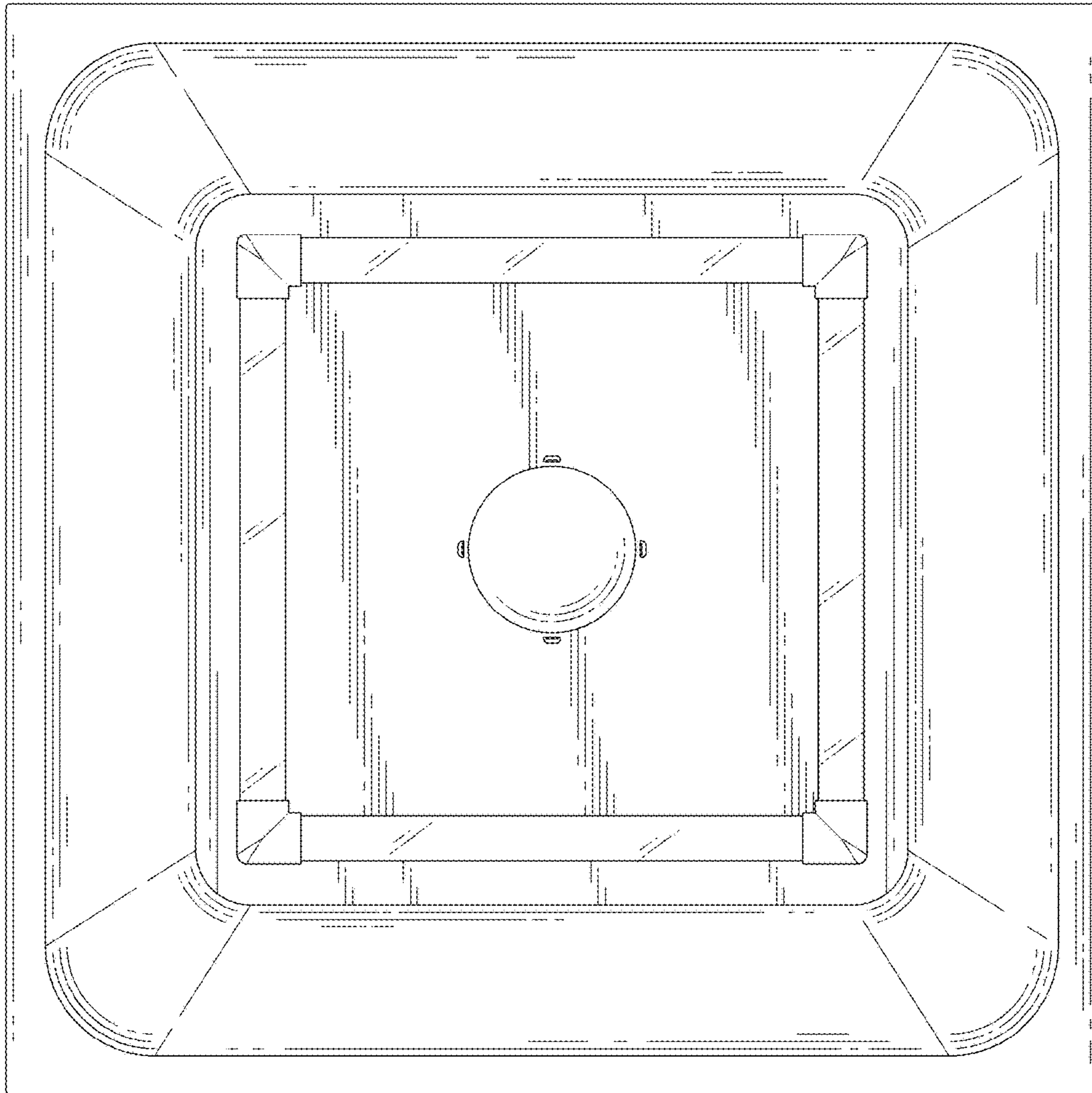


Fig.2

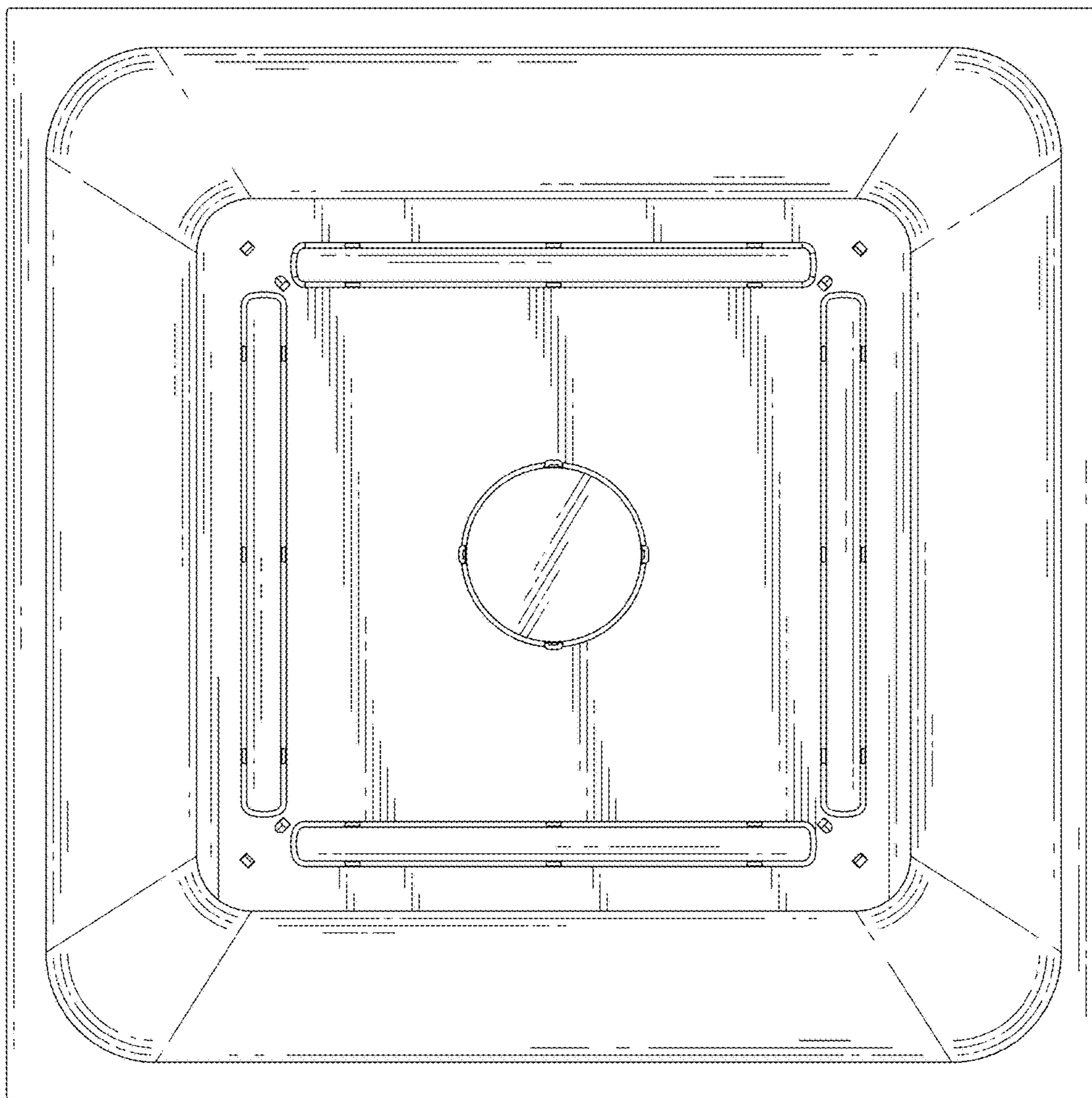


Fig.3

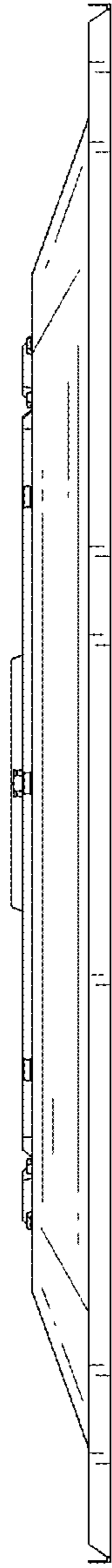


Fig.4

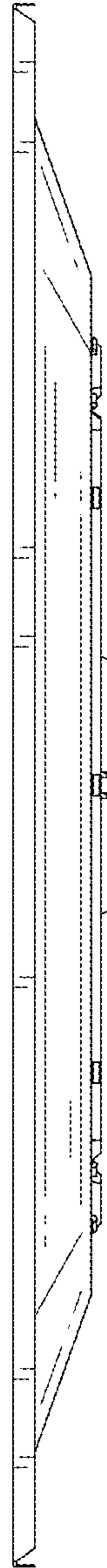


Fig.5

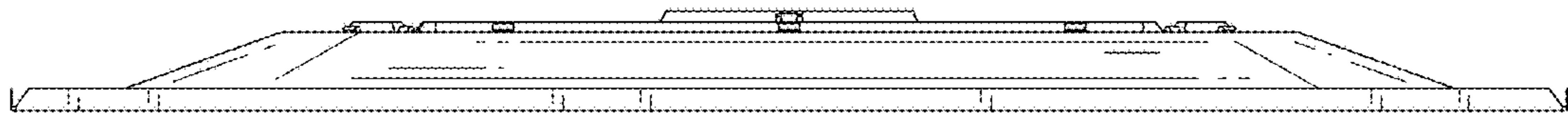


Fig.6

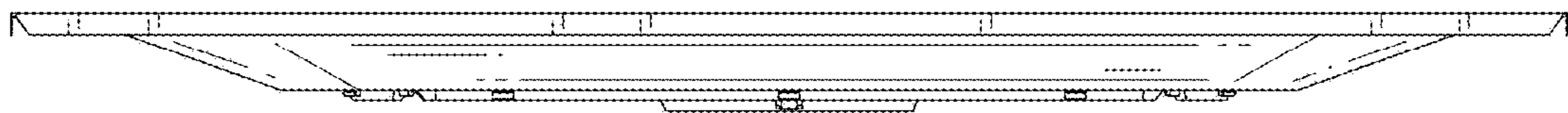


Fig.7