



US00D787105S

(12) **United States Design Patent**  
**Kelleghan**

(10) **Patent No.:** **US D787,105 S**

(45) **Date of Patent:** **\*\* May 16, 2017**

(54) **FLASHLIGHT**

(75) Inventor: **Brian James Kelleghan**, Longmont, CO (US)

(73) Assignee: **Bison Designs, LLC**, Longmont, CO (US)

(\*\*) Term: **14 Years**

(21) Appl. No.: **29/417,413**

(22) Filed: **Apr. 3, 2012**

(51) **LOC (10) Cl.** ..... **26-02**

(52) **U.S. Cl.**  
USPC ..... **D26/46**

(58) **Field of Classification Search**  
USPC ..... D26/46, 49, 38, 43; 362/157, 158, 183, 362/184, 194-196, 200-208, 253  
CPC ..... F21V 33/00; F21V 14/025; F21V 21/406; F21Y 2101/02; F21L 17/00; F21L 13/08  
See application file for complete search history.

(56) **References Cited**

**U.S. PATENT DOCUMENTS**

5,318,177 A	6/1994	Isacson	
D456,545 S	4/2002	Chang	
D476,106 S	6/2003	Kim	
D484,263 S	12/2003	Kelleghan	
D498,321 S *	11/2004	Terry	D26/60
D513,082 S *	12/2005	Hoshikawa	D26/1
D525,780 S	8/2006	Kelleghan	
D526,555 S	8/2006	Kelleghan	
D533,760 S	12/2006	Kelleghan	

(Continued)

**OTHER PUBLICATIONS**

BugLit Catalog page from website [<http://cdn.shopify.com/s/files/1/0032/5752/files/BugLit.pdf?100932>] showing prior art light sold by Nite Ize, Inc.. Light shown is admitted prior art to current design by Applicant.

*Primary Examiner* — Ian Simmons

*Assistant Examiner* — Carissa C Fitts

(74) *Attorney, Agent, or Firm* — Polson Intellectual Property Law, PC; Margaret Polson

(57) **CLAIM**

The ornamental design for a flashlight, as shown and described.

**DESCRIPTION**

FIG. 1 is a top isometric view of a flashlight showing my new design.

FIG. 2 is a top plan view thereof, the bottom plan view being a mirror image thereof.

FIG. 3 is a right elevation view thereof, the left side view being mirror images.

FIG. 4 is a rear side elevation view of FIG. 1.

FIG. 5 is a front side elevation view of FIG. 1.

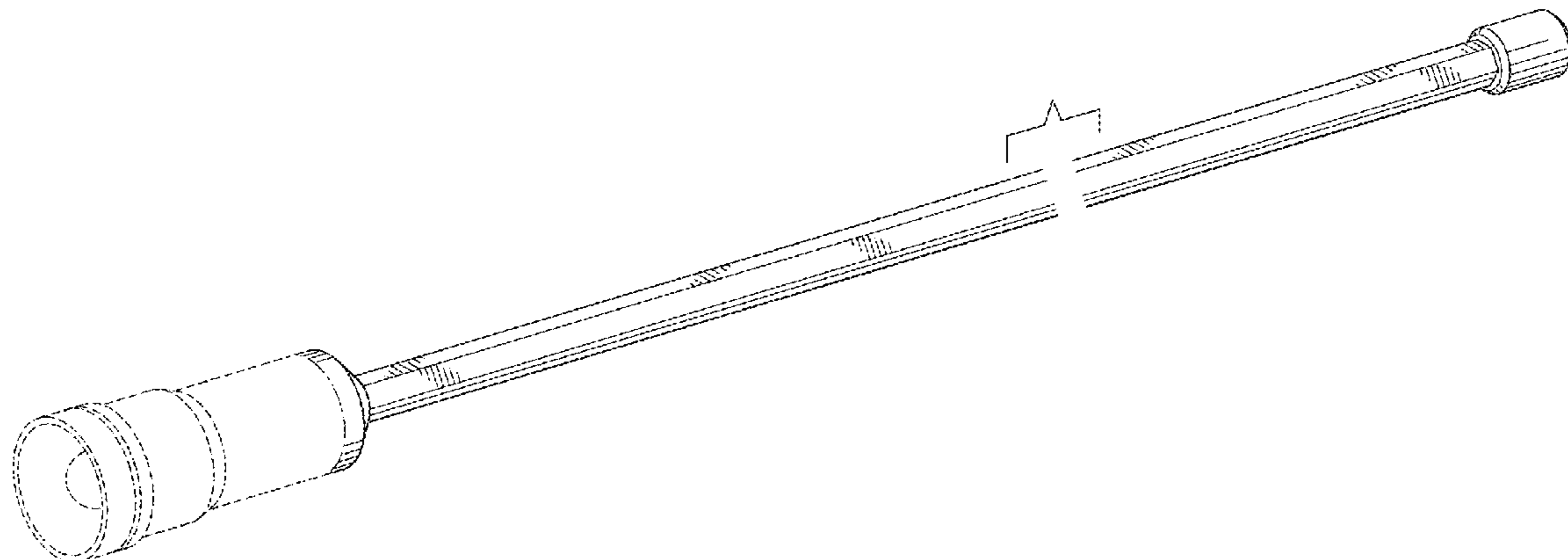
FIG. 6 is a cross sectional view through line 6-6 of FIG. 2, the attachment device of FIG. 1, the size of this drawing being enlarged 200 percent from the other drawings to show detail.

FIG. 7 is a is view of the top and bottom and right and left sides, which are mirror images respectively, of an alternate embodiment of the flashlight of FIG. 1, the only difference being the cross sectional shape of the attachment section, it being understood that all other surfaces are the same as those of FIGS. 1 through 5; and,

FIG. 8 is a cross sectional view through line 8-8 of FIG. 7, the attachment device of FIG. 7, the size of this drawing being enlarged 200 percent from the other drawings to show detail.

The flashlight is shown with a symbolic break in it length, with the understanding that the portions of the device not shown in the drawings form no part of the claimed design. The dot-dash broken lines immediately adjacent the shaded areas represent the bounds of the claimed design while all other broken lines are directed to portions of the article not claimed; all of the broken lines form no part of the claimed design.

**1 Claim, 2 Drawing Sheets**



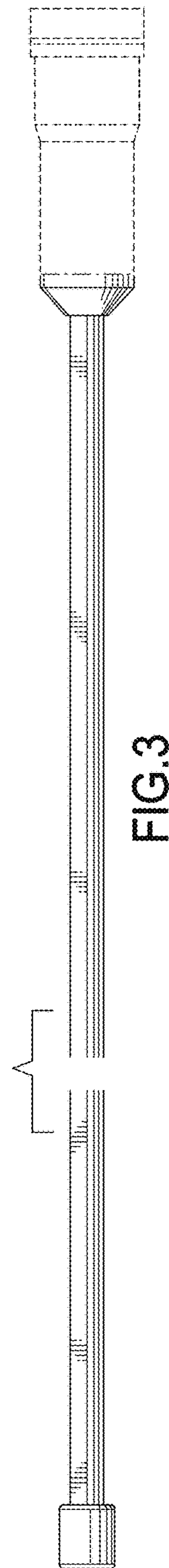
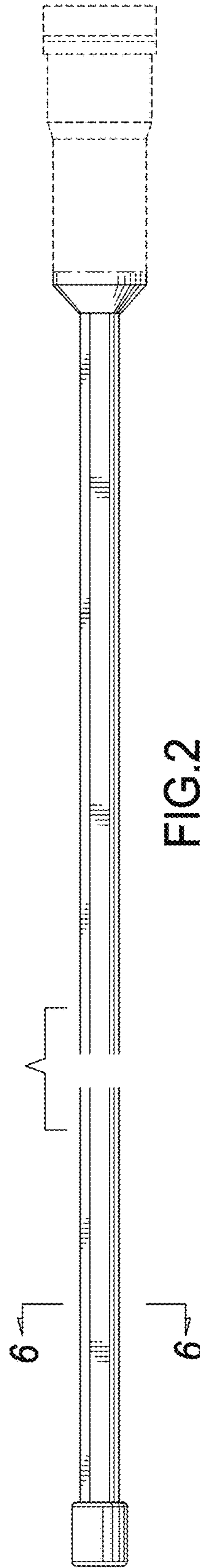
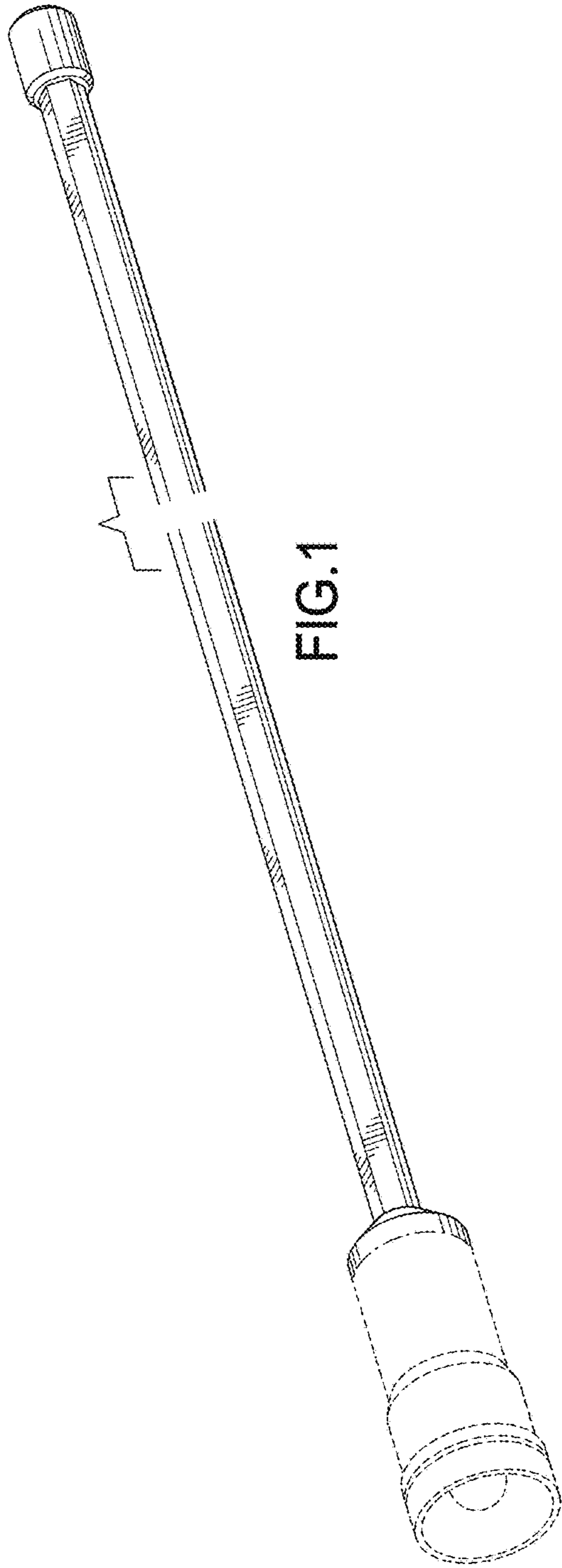
(56)

**References Cited**

U.S. PATENT DOCUMENTS

7,250,213	B2	7/2007	Duncan	
D572,394	S	7/2008	Dalton	
D600,842	S *	9/2009	Shiu .....	D26/49
D616,292	S	5/2010	Martinson	
D619,287	S	7/2010	Liu	
D662,236	S *	6/2012	Matsushita .....	D26/3
D669,619	S *	10/2012	Ormsbee .....	D26/62
D673,710	S	1/2013	Eichelberger	
8,459,282	B2 *	6/2013	Gorey .....	A45B 3/04 135/65
D693,042	S *	11/2013	Wu .....	D26/49
D700,383	S *	2/2014	Seidl et al. ....	D26/43
D704,874	S *	5/2014	Kelleghan .....	D26/62
D711,590	S *	8/2014	Comte .....	D26/155
8,806,723	B2 *	8/2014	Martinson .....	B65D 63/00 24/16 PB
D712,590	S *	9/2014	Lin .....	D26/138
D715,983	S *	10/2014	Jeong et al. ....	D26/46
D723,203	S *	2/2015	Seidl et al. ....	D26/43
D725,810	S *	3/2015	Jeong et al. ....	D26/38
D728,235	S *	5/2015	Martinson .....	D3/273
D729,963	S *	5/2015	Windom .....	D26/49

\* cited by examiner



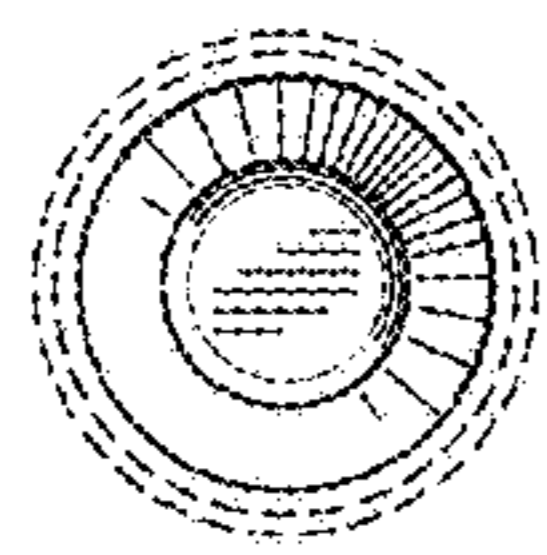


FIG. 4

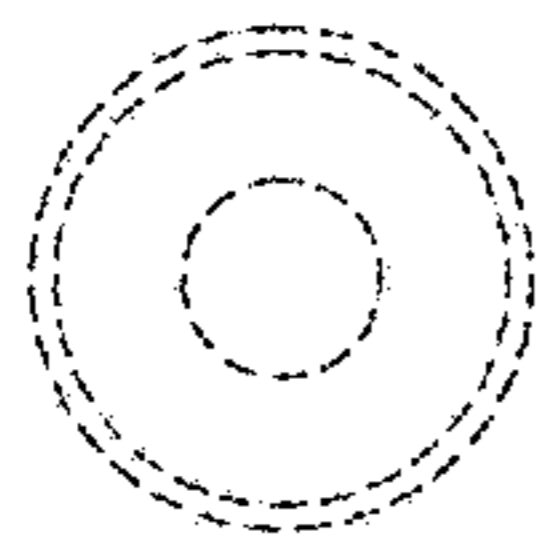


FIG. 5



FIG. 6

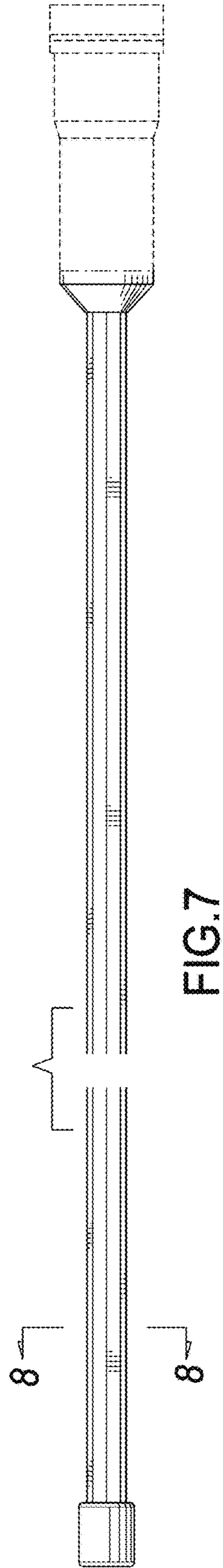


FIG. 7



FIG. 8