



US00D787103S

(12) **United States Design Patent** (10) **Patent No.:** **US D787,103 S**
Elofsson et al. (45) **Date of Patent:** **** May 16, 2017**

(54) **LAMP PORTION OF AN ELECTRIC DRIVER TOOL**

D592,930 S 5/2009 Cai
D618,079 S 6/2010 Blythe et al.
7,866,235 B2 1/2011 Hi
D634,998 S 3/2011 Garfield et al.
D663,180 S * 7/2012 Jerome D8/61
8,443,512 B2 * 5/2013 Masugata B21J 15/043
29/243.521

(71) Applicant: **ATLAS COPCO INDUSTRIAL TECHNIQUE AB**, Stockholm (SE)

(72) Inventors: **Jonas Kjell Elofsson**, Sorunda (SE); **Anders Hannu**, Västerås (SE); **Karl Göran Johansson**, Södertälje (SE); **Ola Petter Nyström**, Stockholm (SE)

(Continued)

(73) Assignee: **ATLAS COPCO INDUSTRIAL TECHNIQUE AB**, Stockholm (SE)

OTHER PUBLICATIONS

Related U.S. Appl. No. 29/526,656, filed May 12, 2015, First Named Inventor: Jonas Kjell Elofsson, Title: "Electric Driver Tool".
(Continued)

(**) Term: **14 Years**

Primary Examiner — Darlington Ly

(21) Appl. No.: **29/526,635**

(74) *Attorney, Agent, or Firm* — Holtz, Holtz & Volek PC

(22) Filed: **May 12, 2015**

(57) **CLAIM**

(30) **Foreign Application Priority Data**

The ornamental design for a lamp portion of an electric driver tool, as shown and described.

Dec. 16, 2014 (SE) 002598557-0001

(51) **LOC (10) Cl.** **26-02**

(52) **U.S. Cl.**
USPC **D26/38**

(58) **Field of Classification Search**
USPC D8/61, 62, 67, 69, 70; D26/37-50, 138
CPC B25B 21/00; B25F 5/001; F16D 41/206
See application file for complete search history.

DESCRIPTION

(56) **References Cited**

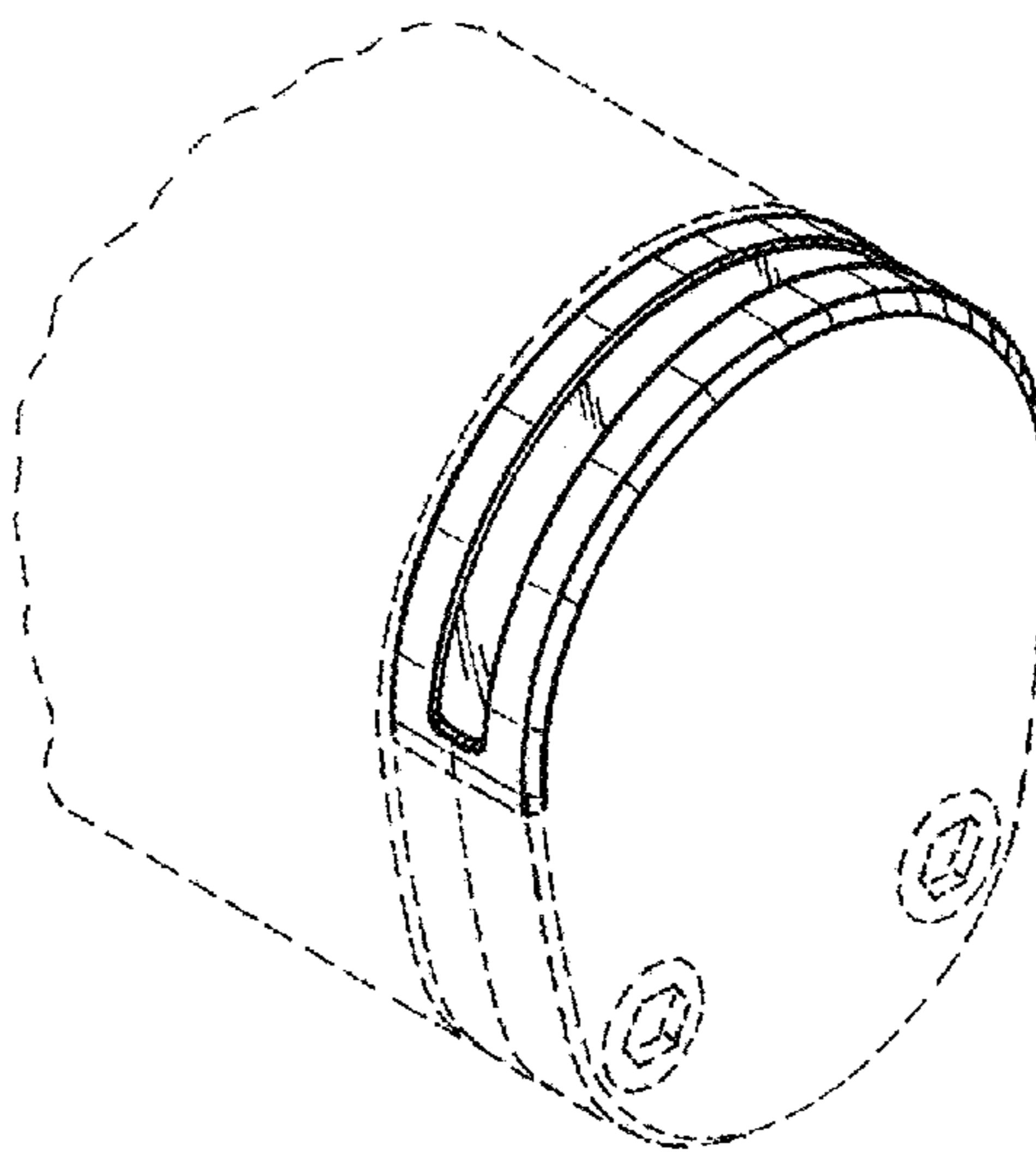
U.S. PATENT DOCUMENTS

5,802,936 A 9/1998 Liu
D485,382 S * 1/2004 Palm D26/38
D521,340 S * 5/2006 Lin D8/68
D565,916 S 4/2008 Chen
D569,205 S * 5/2008 Lai D8/61
D572,104 S 7/2008 Brown
D576,465 S 9/2008 Brown
D577,974 S 10/2008 Miller
D586,195 S 2/2009 Okuda

FIG. 1 is a top, front, left side perspective view of a lamp portion of an electric driver tool showing our new design; FIG. 2 is a front elevational view thereof; FIG. 3 is a rear elevational view thereof; FIG. 4 is a top plan view thereof; FIG. 5 is a bottom plan view thereof; FIG. 6 is a left side elevational view thereof; FIG. 7 is a right side elevational view thereof; and, FIG. 8 is a perspective view of the lamp portion in its environment.

The even broken lines showing the electric driver tool is provided for the purpose of the illustrating environment and forms no part of the claimed design. Additionally, the dash-dot broken lines in the drawings indicate boundaries between portions of the article that form the claimed design from portions that are excluded.

1 Claim, 3 Drawing Sheets



(56)

References Cited

U.S. PATENT DOCUMENTS

D689,354 S 9/2013 Mitchell et al.
D696,092 S 12/2013 Yaschur
D702,522 S 4/2014 Steinfels et al.
D707,519 S * 6/2014 Masugata D8/68
D711,714 S 8/2014 Sawaya
D715,615 S 10/2014 Nagy et al.
D720,196 S 12/2014 Hsiao
9,089,955 B2 7/2015 Johnson
D756,188 S * 5/2016 Elofsson D8/61
2015/0273569 A1 * 10/2015 Lin B21J 15/105
29/243.54

OTHER PUBLICATIONS

Related U.S. Appl. No. 29/526,644, filed May 12, 2015, First
Named Inventor: Jonas Kjell Elofsson, Title: "Electric Driver Tool".
Related U.S. Appl. No. 29/526,651, filed May 12, 2015, First
Named Inventor: Jonas Kjell Elofsson, Title: "Electric Driver Tool".

* cited by examiner

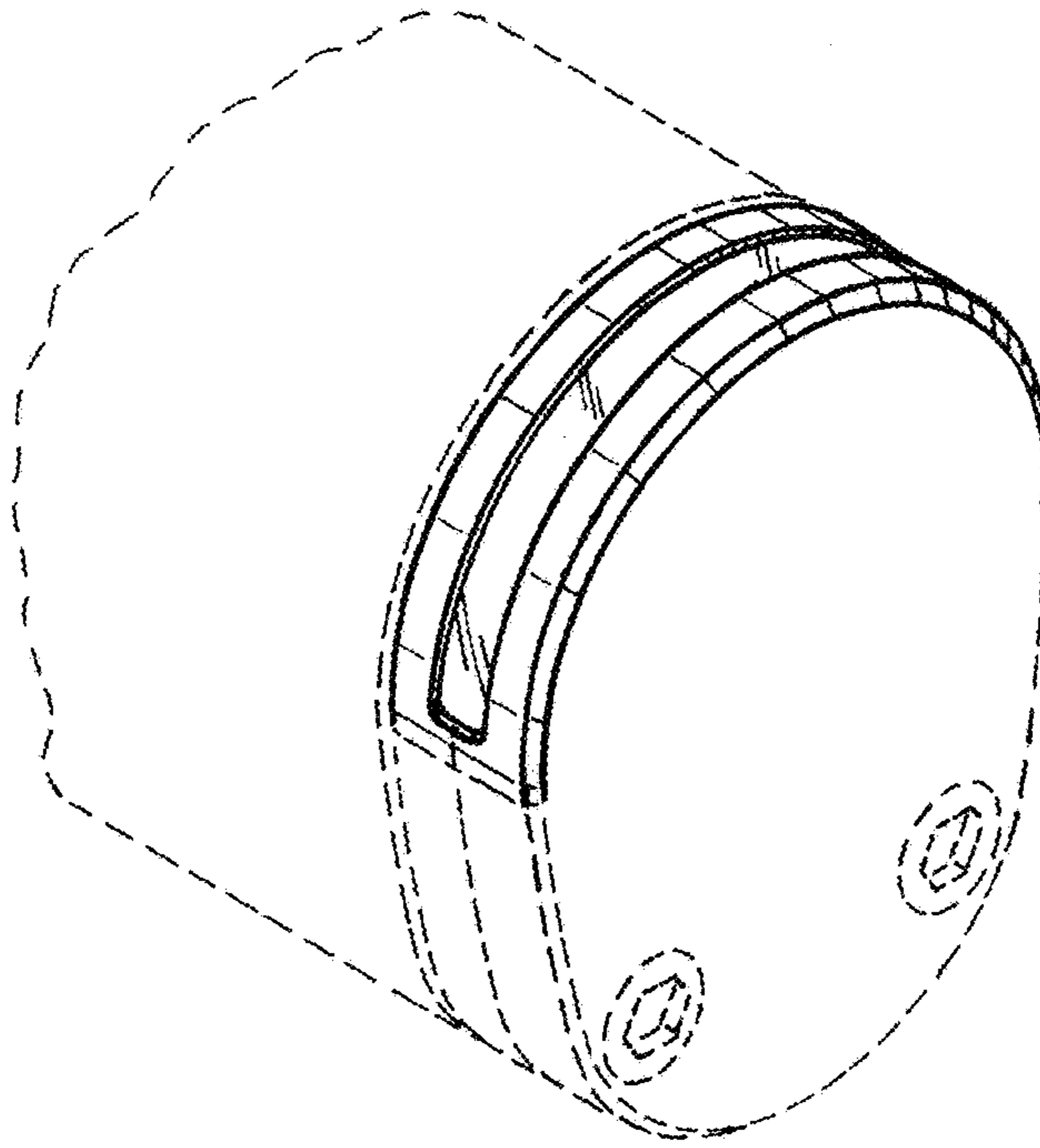


Fig. 1

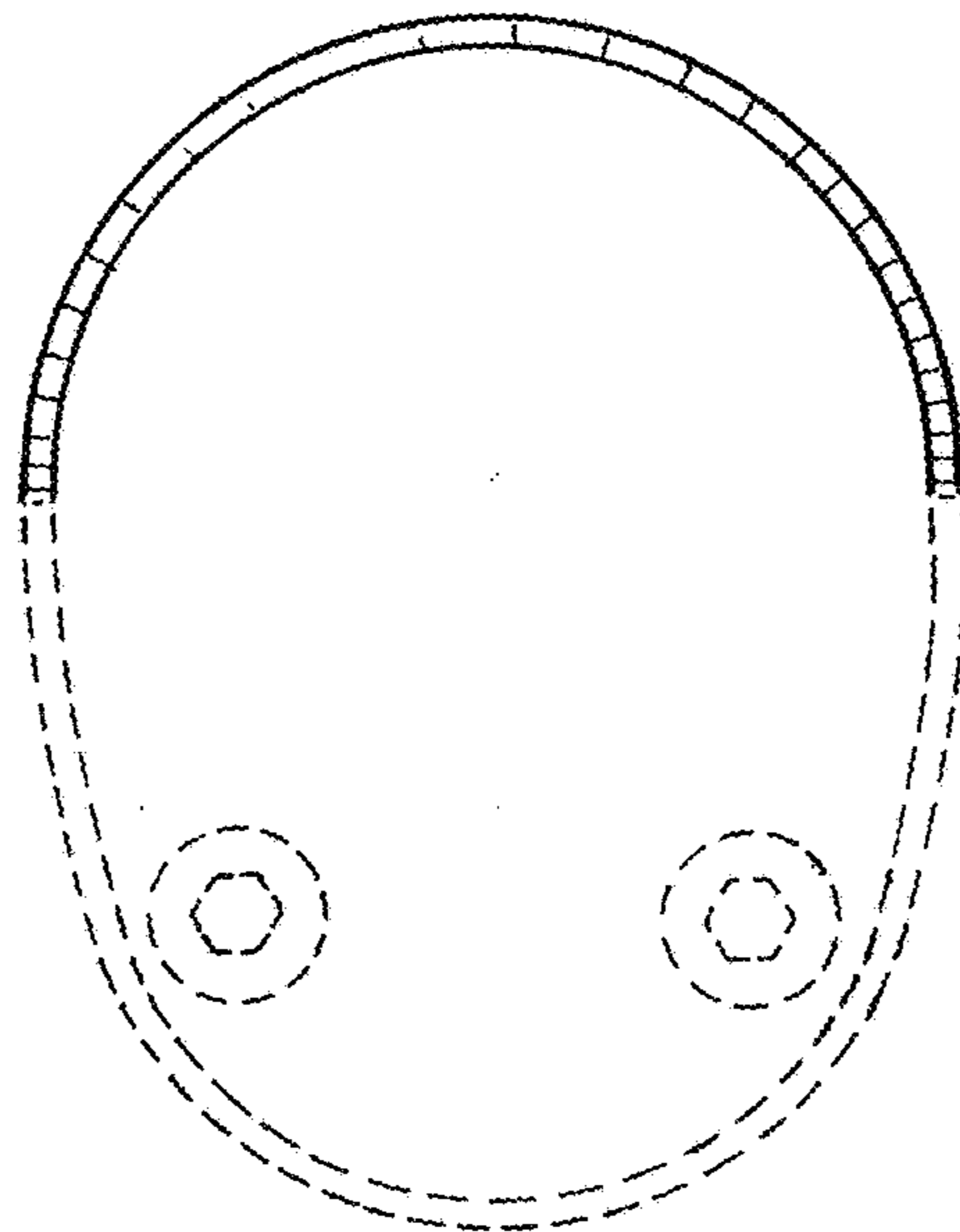


Fig. 2

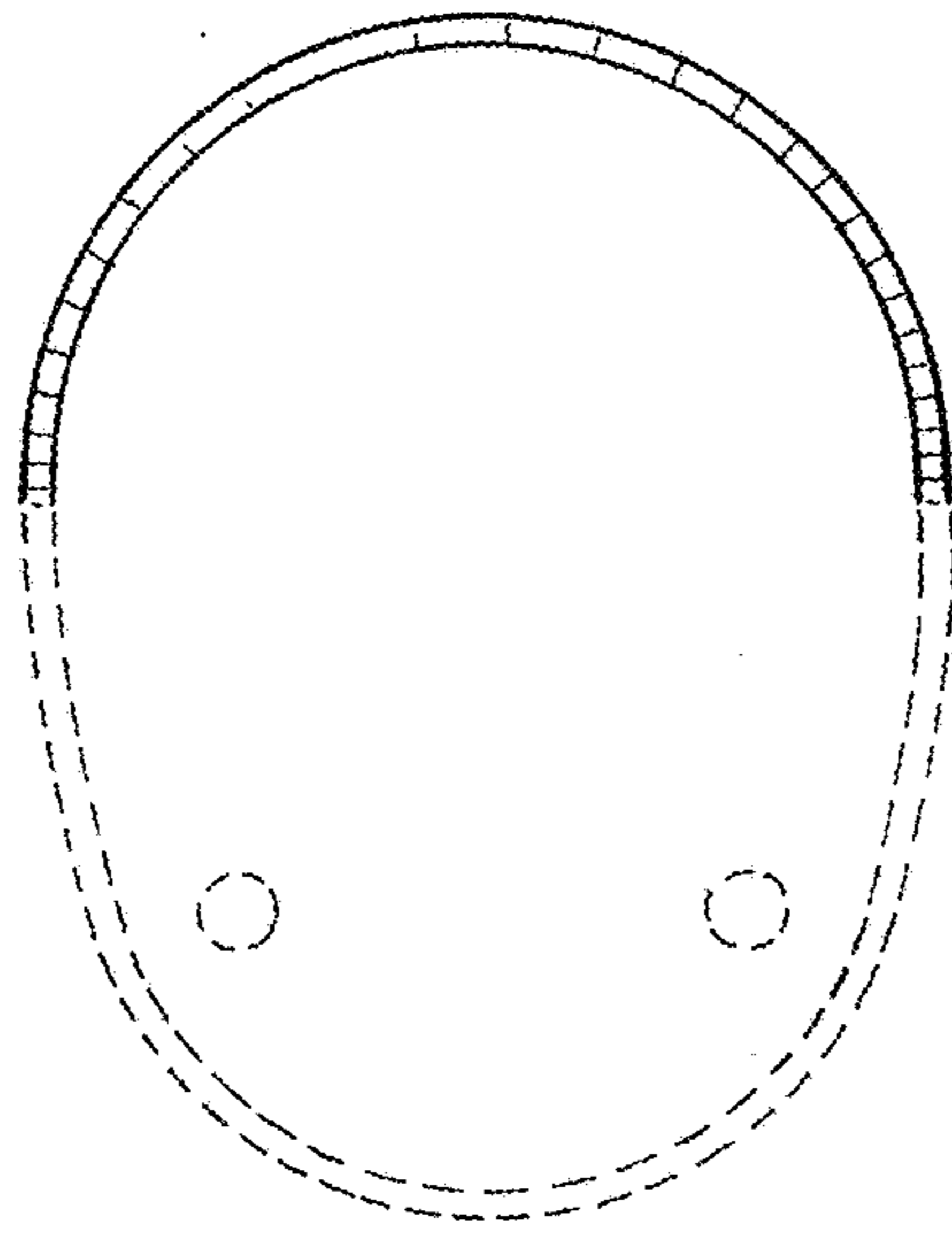


Fig. 3

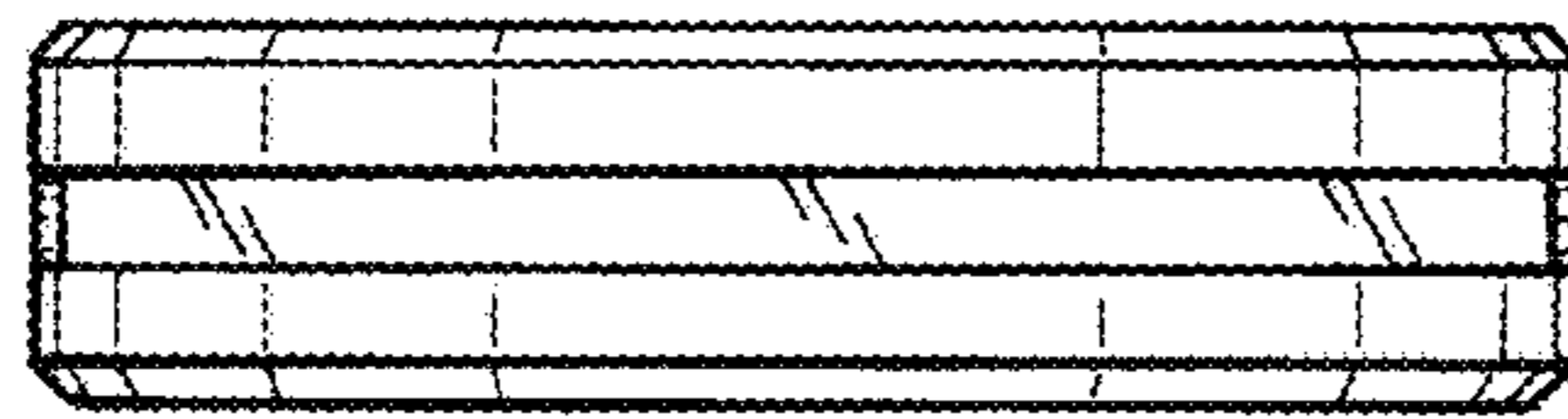


Fig. 4

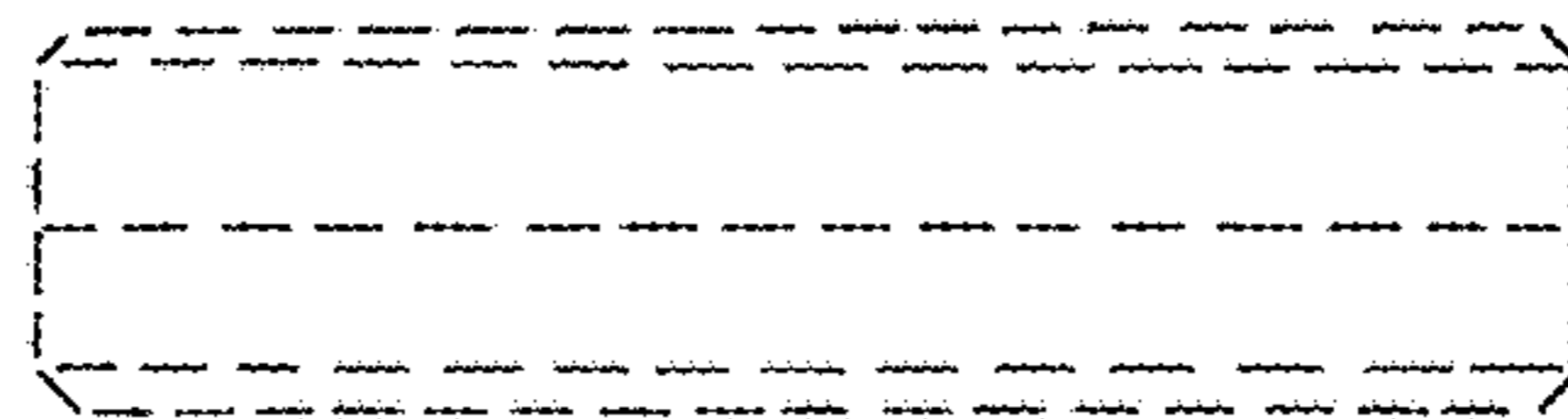


Fig. 5

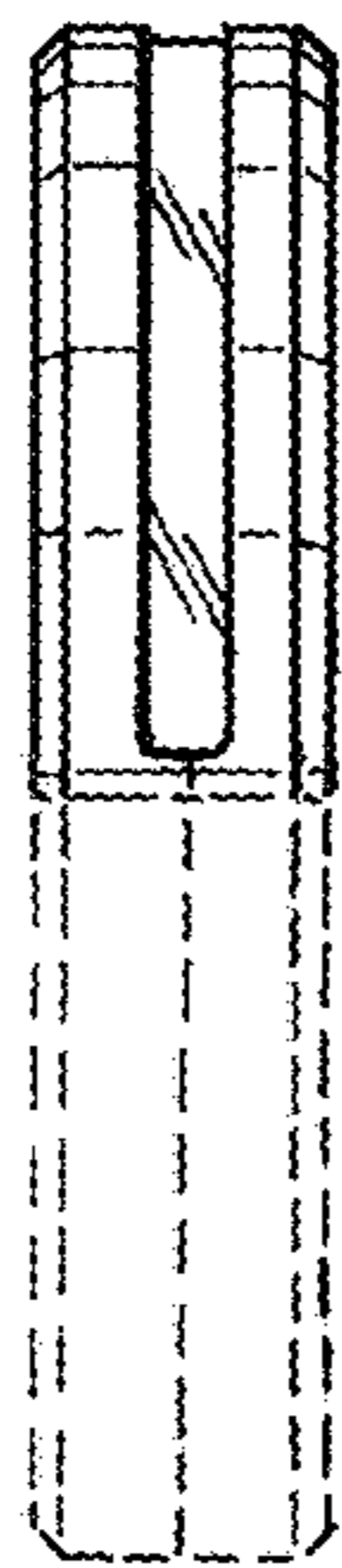


Fig. 6

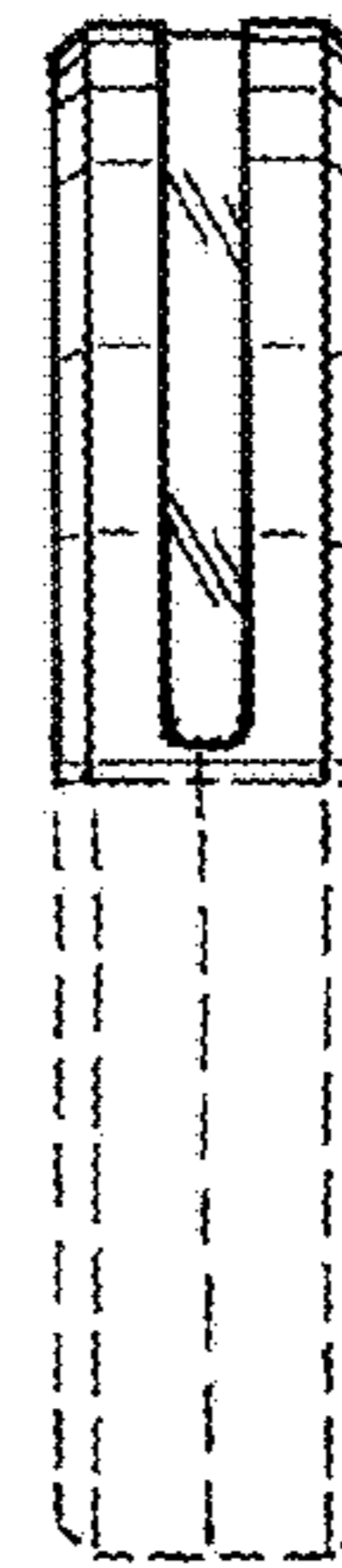


Fig. 7

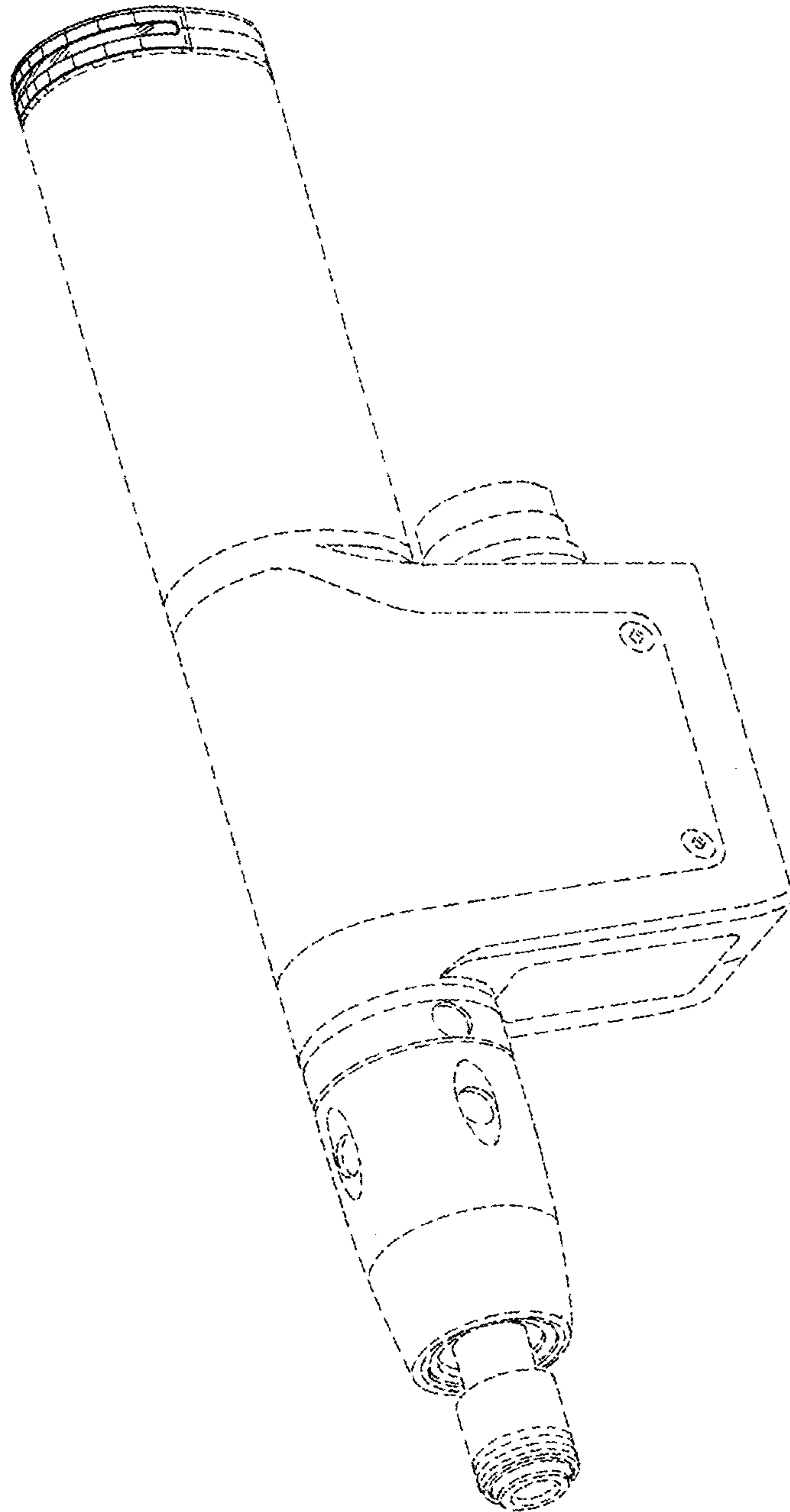


Fig. 8