



US00D787101S

(12) **United States Design Patent** (10) **Patent No.:** **US D787,101 S**
Cartabiano et al. (45) **Date of Patent:** **** May 16, 2017**

(54) **REAR COMBINATION LAMP FOR AN AUTOMOBILE**

D690,850 S * 10/2013 Hanaoka D26/28
D692,599 S * 10/2013 Kim D26/28
D701,631 S * 3/2014 Goto D26/28
D716,478 S * 10/2014 Loeb D26/28
D728,137 S * 4/2015 Ha D26/28

(71) Applicants: **Ian Richard Cartabiano**, Torrance, CA (US); **Katsuhiro Suzuki**, Nagakute (JP); **Billes Ken Mark**, Antibes (FR); **Kazuhiro Sato**, Nisshin (JP)

OTHER PUBLICATIONS

(72) Inventors: **Ian Richard Cartabiano**, Torrance, CA (US); **Katsuhiro Suzuki**, Nagakute (JP); **Billes Ken Mark**, Antibes (FR); **Kazuhiro Sato**, Nisshin (JP)

C-HR Concept (2014), Toyota, Netcarshow.com, <http://www.netcarshow.com/toyota/2014-c-hr_concept/1600x1200/wallpaper_11.htm>, available at least as early as Jan. 20, 2015.
Wind (2011), Renault, Netcarshow.com, <http://www.netcarshow.com/renault/2011-wind/1600x1200/wallpaper_07.htm>, available at least as early as Jan. 20, 2015.

(73) Assignee: **Toyota Jidosha Kabushiki Kaisha** (JP)

* cited by examiner

(**) Term: **15 Years**

Primary Examiner — Marcus Jackson

(21) Appl. No.: **29/549,919**

(74) *Attorney, Agent, or Firm* — Saidman DesignLaw Group, LLC

(22) Filed: **Dec. 29, 2015**

(51) **LOC (10) Cl.** **26-06**

(52) **U.S. Cl.**
USPC **D26/28**

(57) **CLAIM**

The ornamental design for a rear combination lamp for an automobile, as shown and described.

(58) **Field of Classification Search**
USPC D26/28–36; 362/80–83, 267–269, 362/459–468, 475–478, 485–487
CPC F21S 48/00; F21S 48/10; F21S 48/115; F21S 48/225; F21S 48/1233; F21S 48/1266; F21S 48/1388; F21S 48/2268; F21V 21/04

DESCRIPTION

See application file for complete search history.

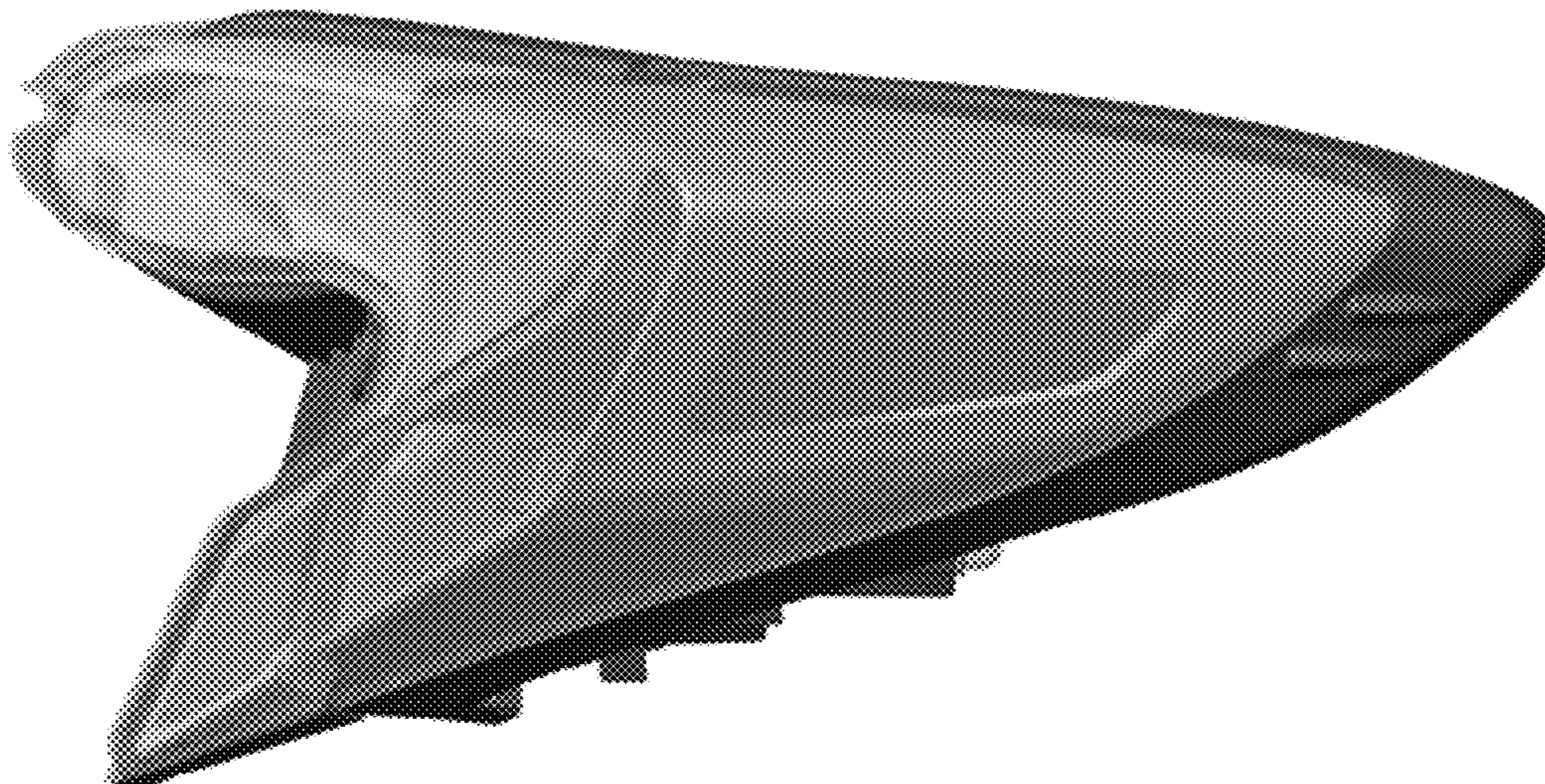
FIG. 1 is a front perspective view of a rear combination lamp for an automobile showing our new design;
FIG. 2 is a front view thereof;
FIG. 3 is a rear view thereof;
FIG. 4 is a top view thereof;
FIG. 5 is a bottom view thereof;
FIG. 6 is a left side view thereof; and,
FIG. 7 is a right side view thereof.

(56) **References Cited**

U.S. PATENT DOCUMENTS

D655,429 S * 3/2012 Fushimi D26/28
D657,482 S * 4/2012 Kong D26/28

1 Claim, 7 Drawing Sheets



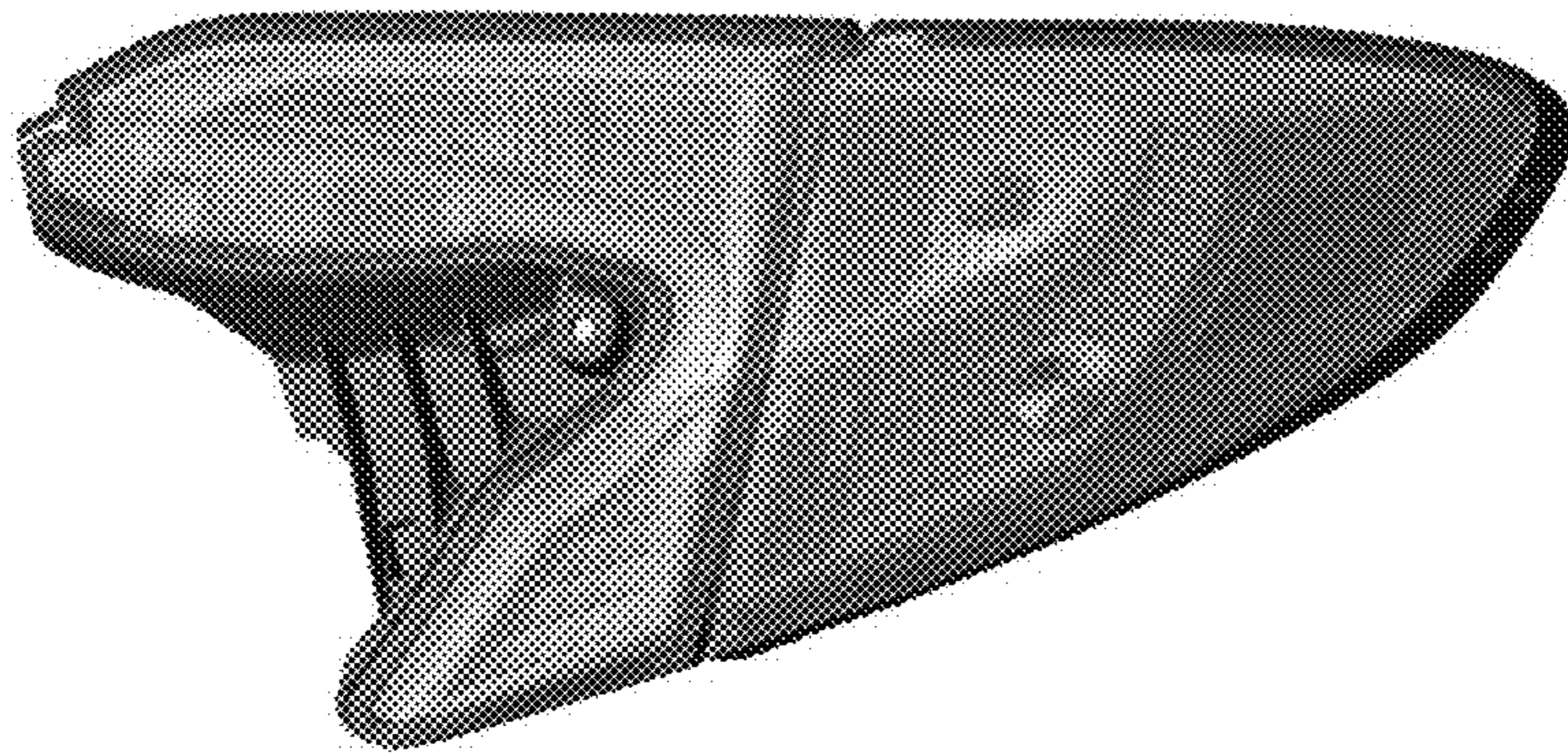


Fig. 1

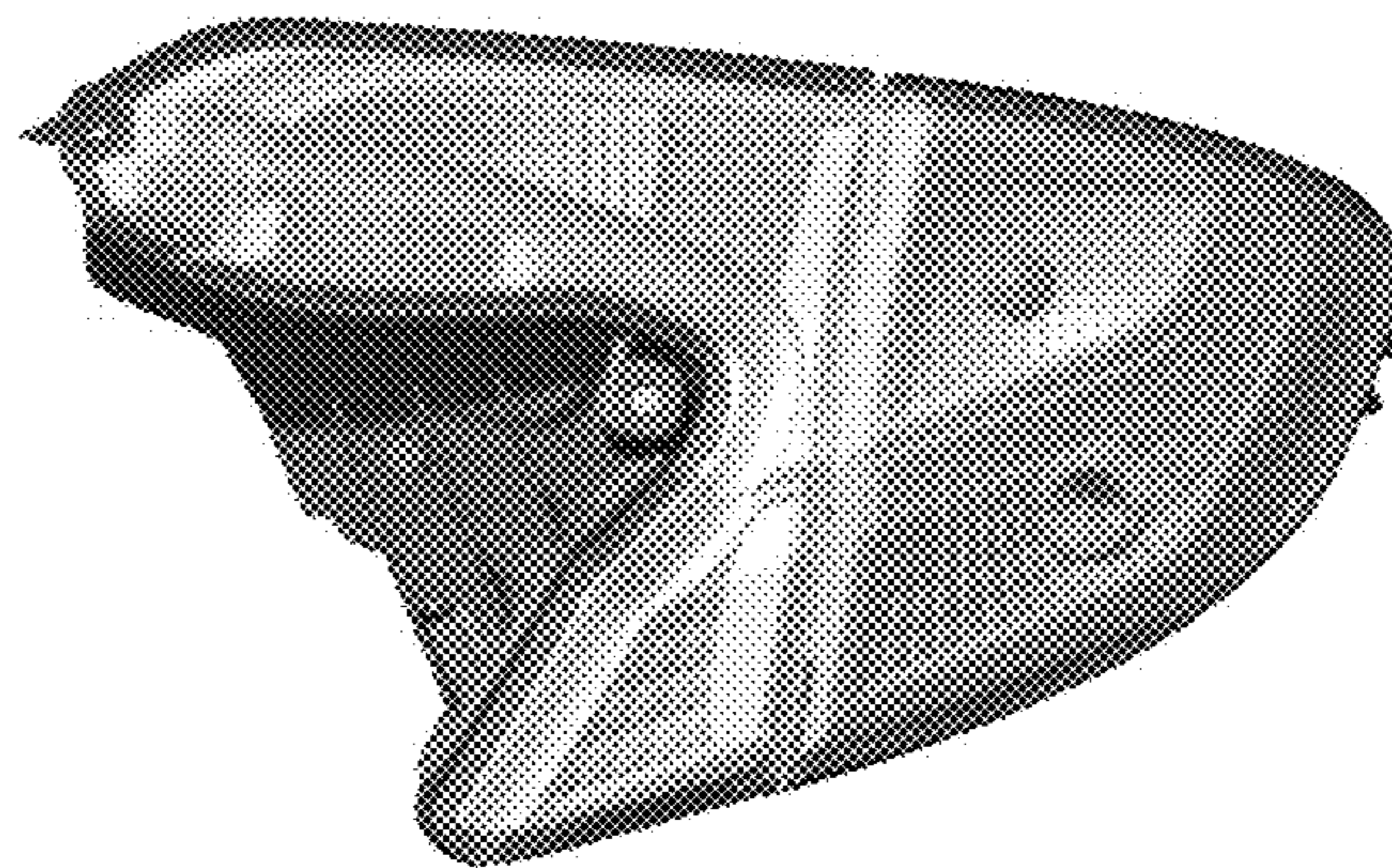


Fig. 2

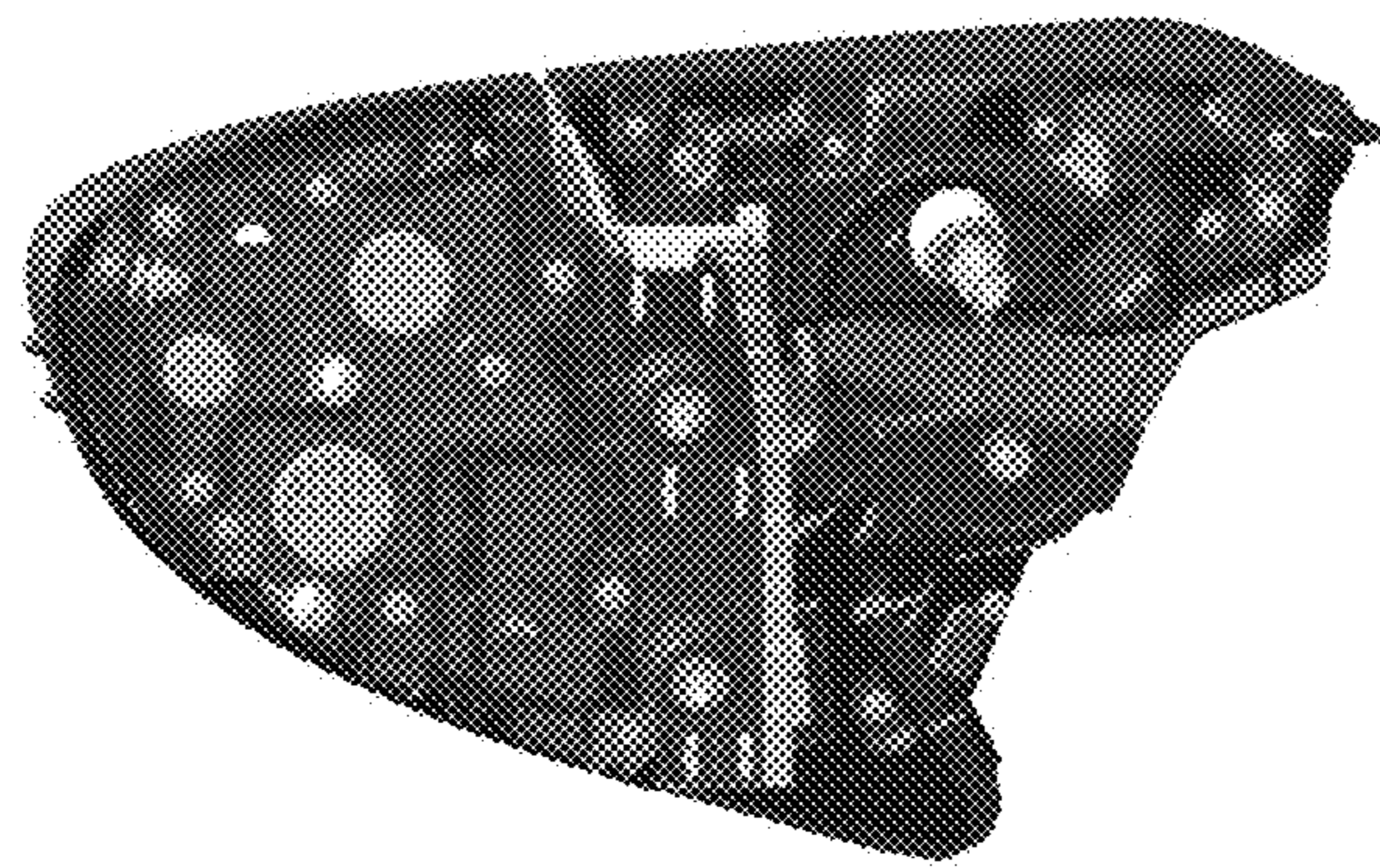


Fig. 3

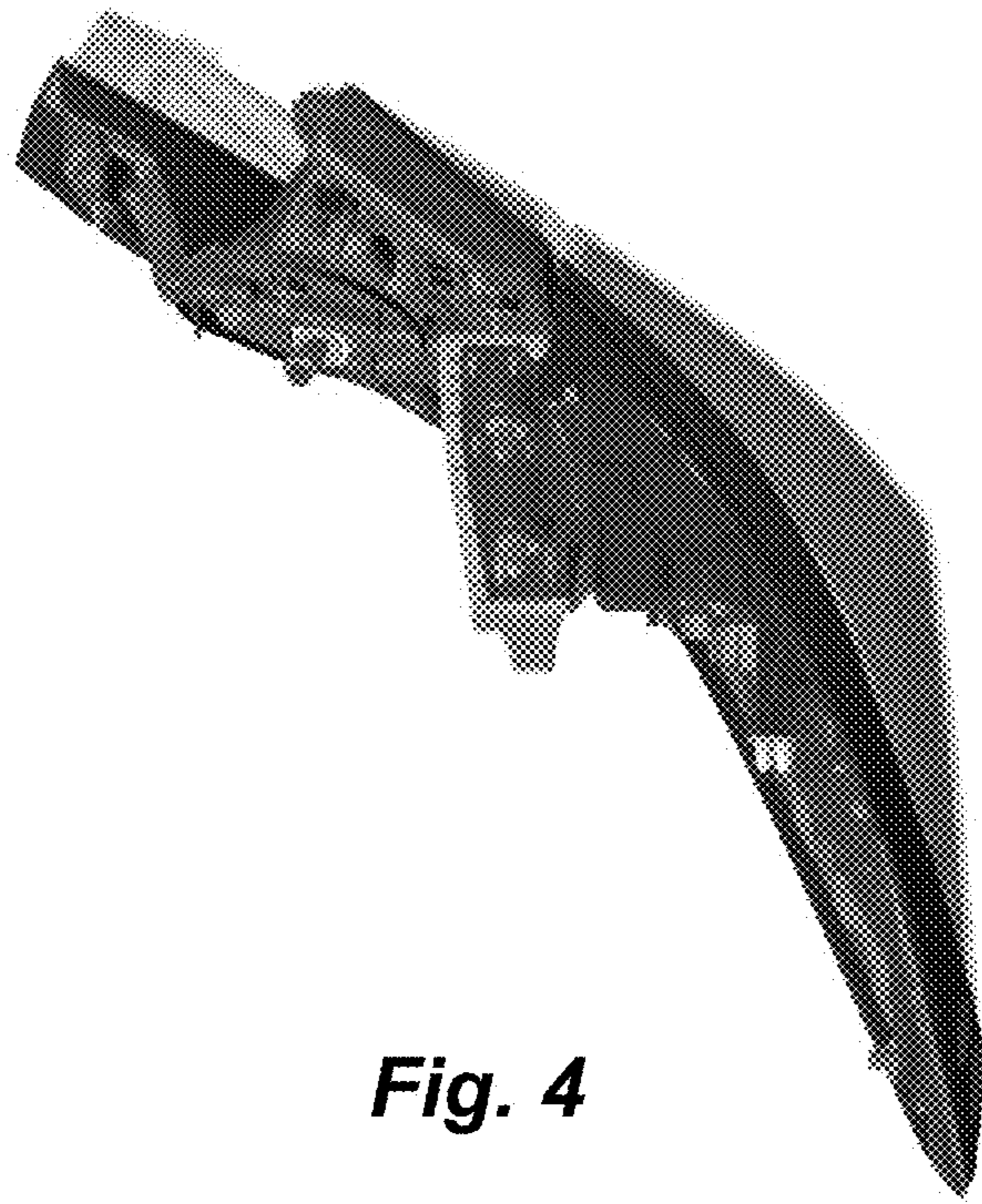


Fig. 4

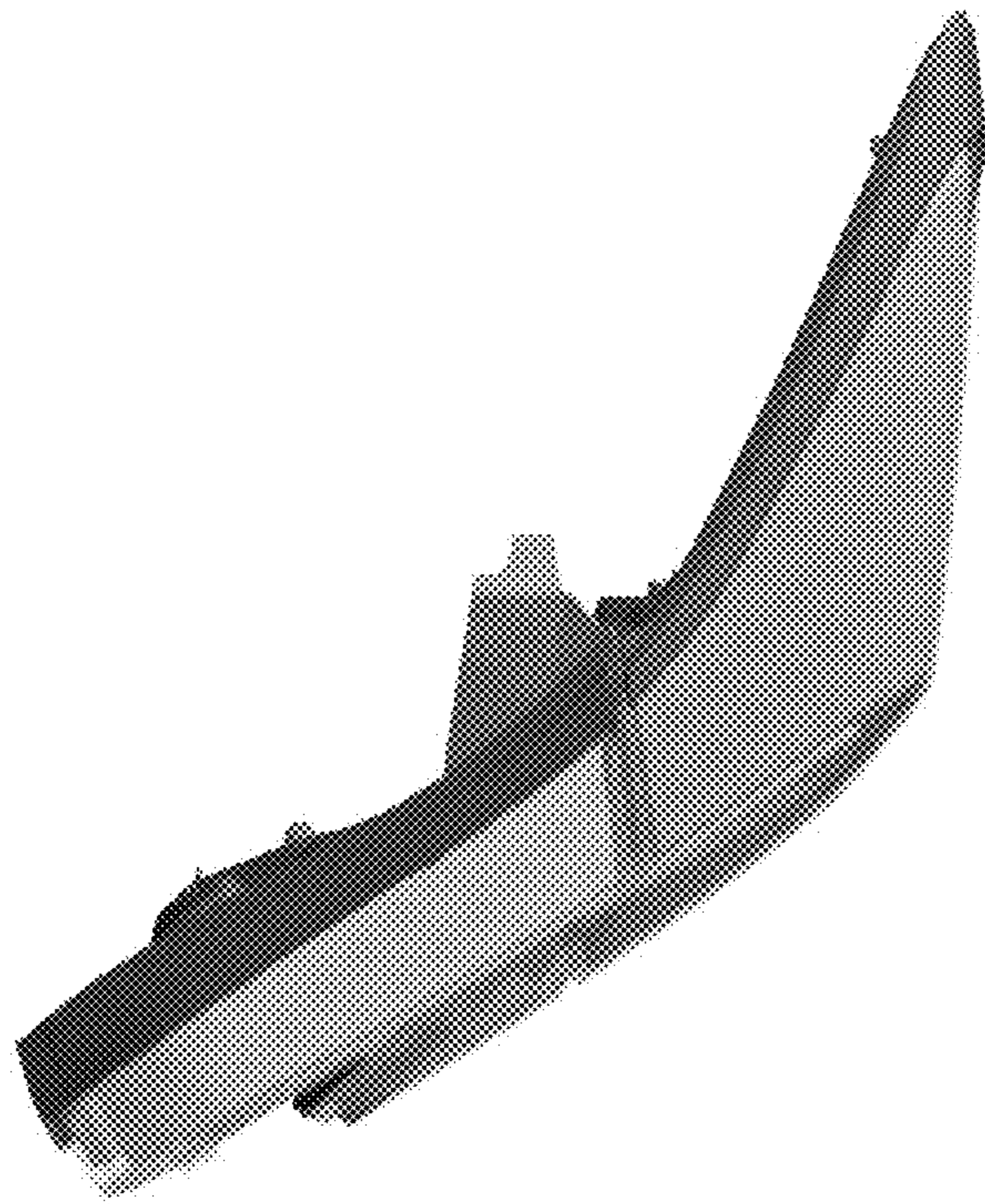


Fig. 5

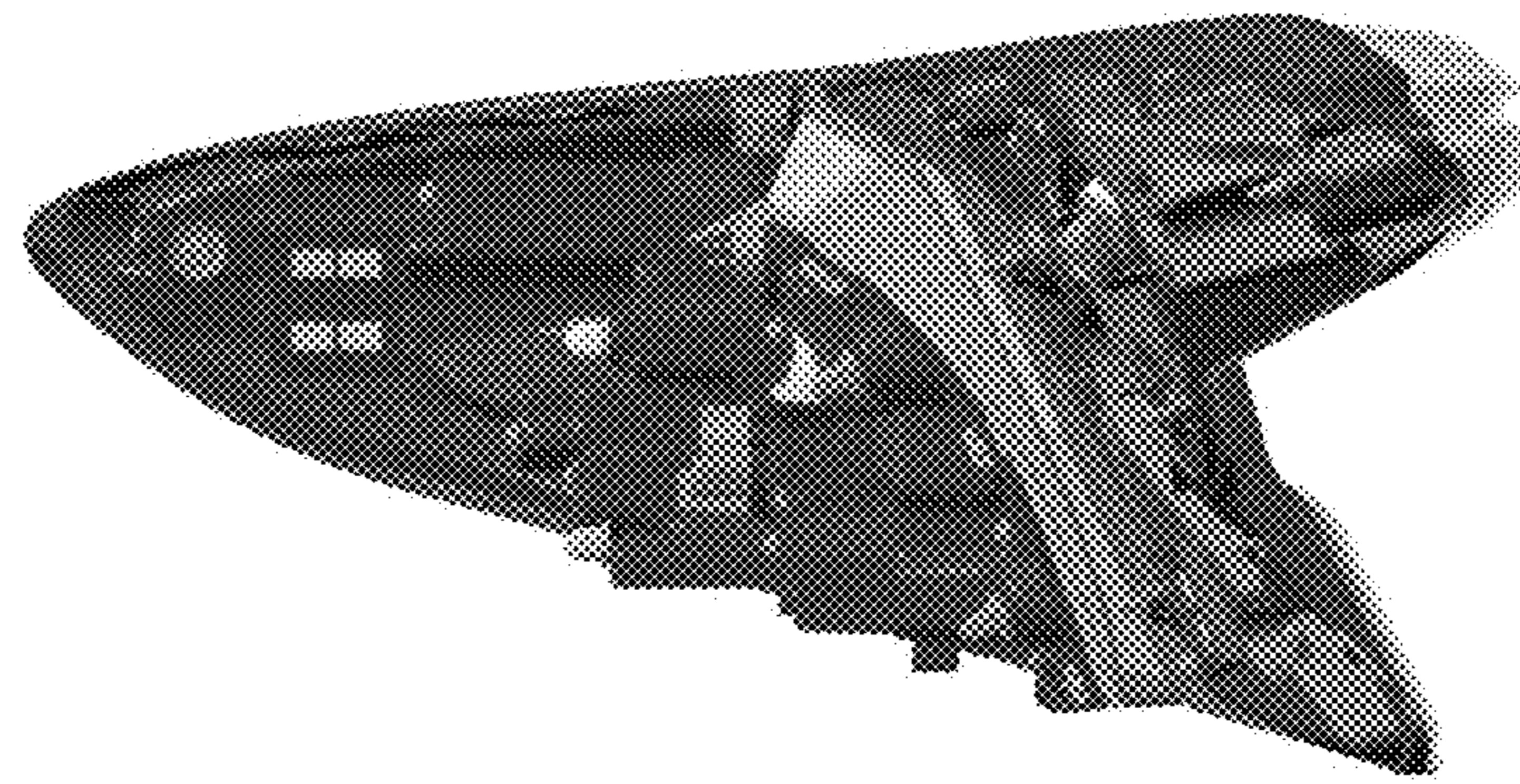


Fig. 6

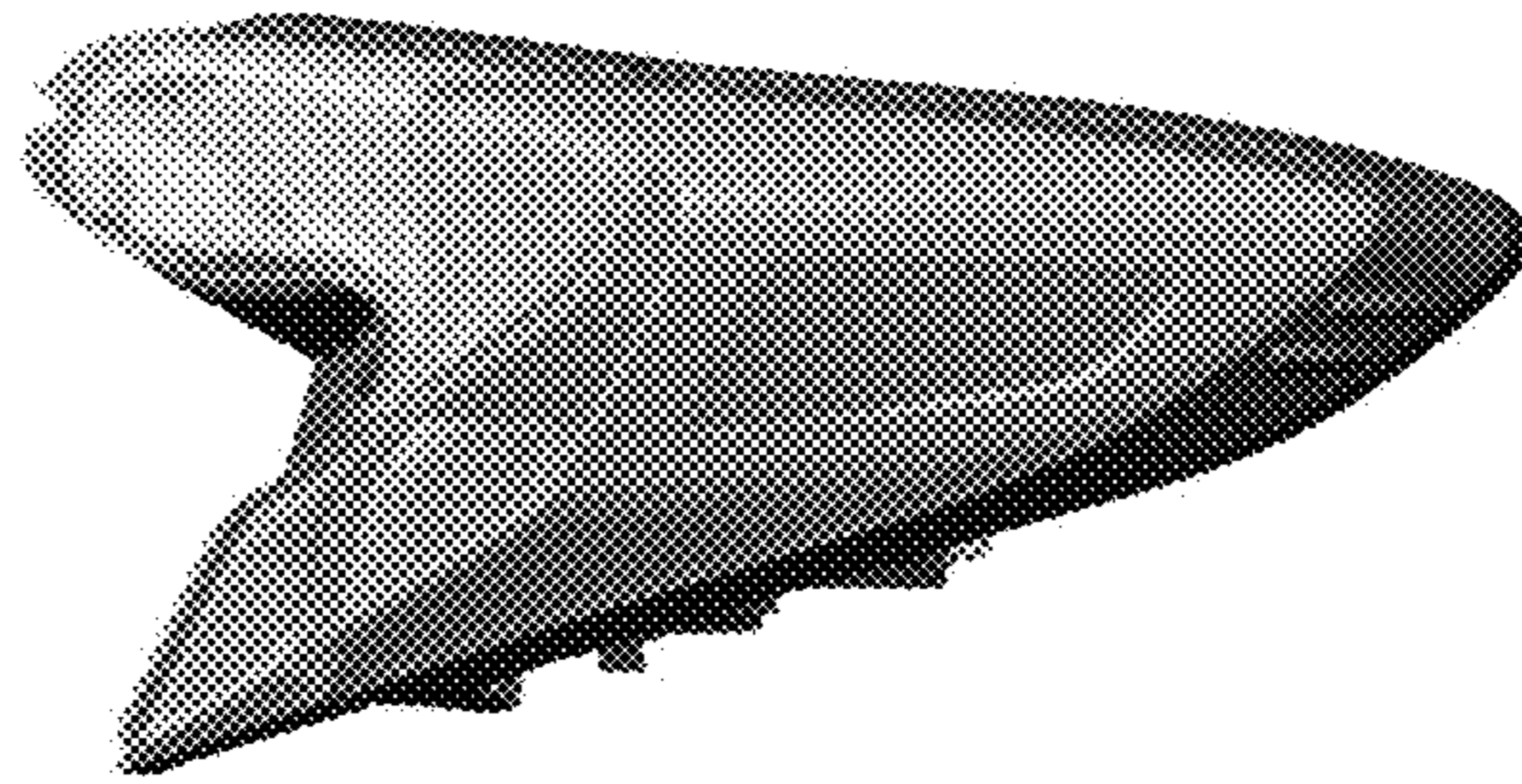


Fig. 7