



US00D787100S

(12) **United States Design Patent** (10) **Patent No.:** **US D787,100 S**
Svensson et al. (45) **Date of Patent:** **** May 16, 2017**

(54) **VEHICLE TAIL LAMP**

FOREIGN PATENT DOCUMENTS

(71) Applicant: **Ford Global Technologies, LLC**,
Dearborn, MI (US)

CN 201230332579.3 7/2013

(72) Inventors: **Christopher Svensson**, Chelmsford
(GB); **Craig S. Metros**, Bloomfield, MI
(US); **Darrell Paul Behmer**, Novi, MI
(US); **Eric Stoddard**, Birmingham, MI
(US)

OTHER PUBLICATIONS

Josh Sadlier, 2017 Ford Fusion Teased in New Photos, <http://www.autotrader.com/car-news/2017-ford-fusion-teased-in-new-photos-238624> Apr. 2015.

Ciprian Florea, 2017 Ford Fusion St, <http://www.topspeed.com/cars/ford/2017-ford-fusion-st-ar171128.html> Sep. 6, 2015.

Michael Gauthier, 2017 Ford Fusion Facelift Spied in Michigan, <http://www.motor1.com/spy/59710/2017-ford-fusion-facelift-spied-in-michigan> Nov. 19, 2015.

(73) Assignee: **Ford Global Technologies, LLC**,
Dearborn, MI (US)

(**) Term: **15 Years**

* cited by examiner

(21) Appl. No.: **29/549,456**

Primary Examiner — Marcus Jackson

(22) Filed: **Dec. 22, 2015**

(74) *Attorney, Agent, or Firm* — Damian Porcari

(51) **LOC (10) Cl.** **26-06**

(57) **CLAIM**

(52) **U.S. Cl.**

The ornamental design for a vehicle tail lamp, as shown and described.

USPC **D26/28**

(58) **Field of Classification Search**

DESCRIPTION

USPC D26/28–36; 362/80–83, 267–269,
362/459–468, 475–478, 485–487

CPC F21S 48/00; F21S 48/10; F21S 48/115;
F21S 48/225; F21S 48/1233; F21S
48/1266; F21S 48/1388; F21S 48/2268;
F21V 21/04

See application file for complete search history.

FIG. 1 is a top front perspective view of the first embodiment of a vehicle tail lamp, showing our new design; FIG. 2 is a bottom front perspective view thereof; FIG. 3 is a top rear perspective view thereof; FIG. 4 is a front elevational view thereof; FIG. 5 is a rear elevational view thereof; FIG. 6 is a left side elevational view thereof; FIG. 7 is a right side elevational view thereof; FIG. 8 is a top plan view thereof; and, FIG. 9 is a bottom plan view thereof.

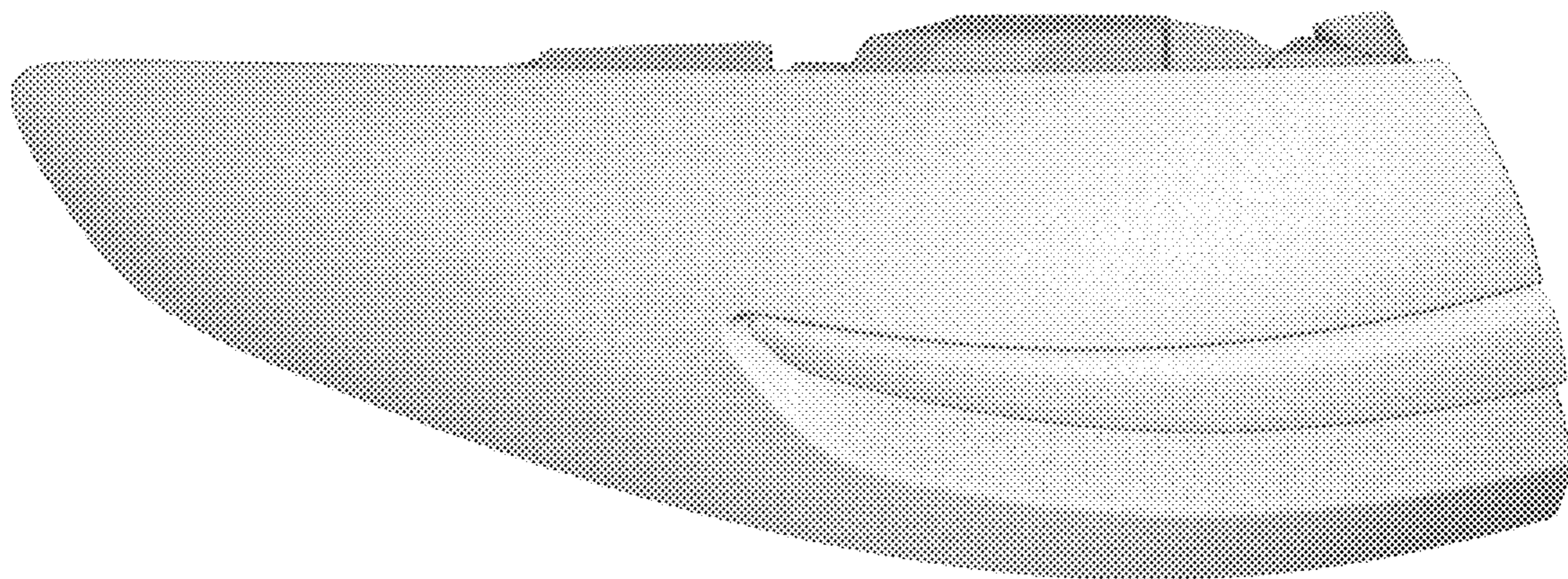
(56) **References Cited**

U.S. PATENT DOCUMENTS

D498,013 S * 11/2004 Pfeiffer D26/28
D523,976 S * 6/2006 Pfeiffer D26/28
D539,450 S * 3/2007 Pfeiffer D26/28
D549,363 S * 8/2007 Pfeiffer D26/28
D686,764 S 7/2013 Hamilton et al.
D686,765 S 7/2013 Hamilton et al.

The second embodiment of the vehicle tail lamp is a mirror image of the first embodiment disclosed in FIGS. 1 through 9 and is not shown.

1 Claim, 9 Drawing Sheets



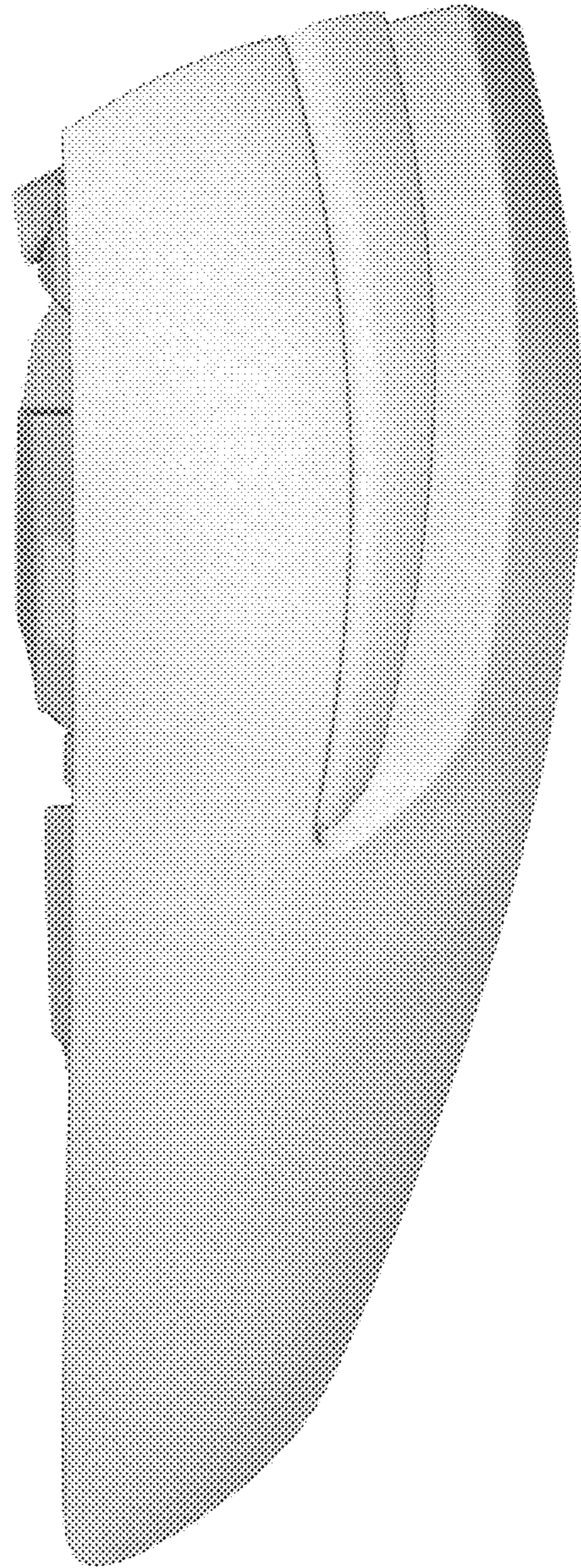


Figure 1

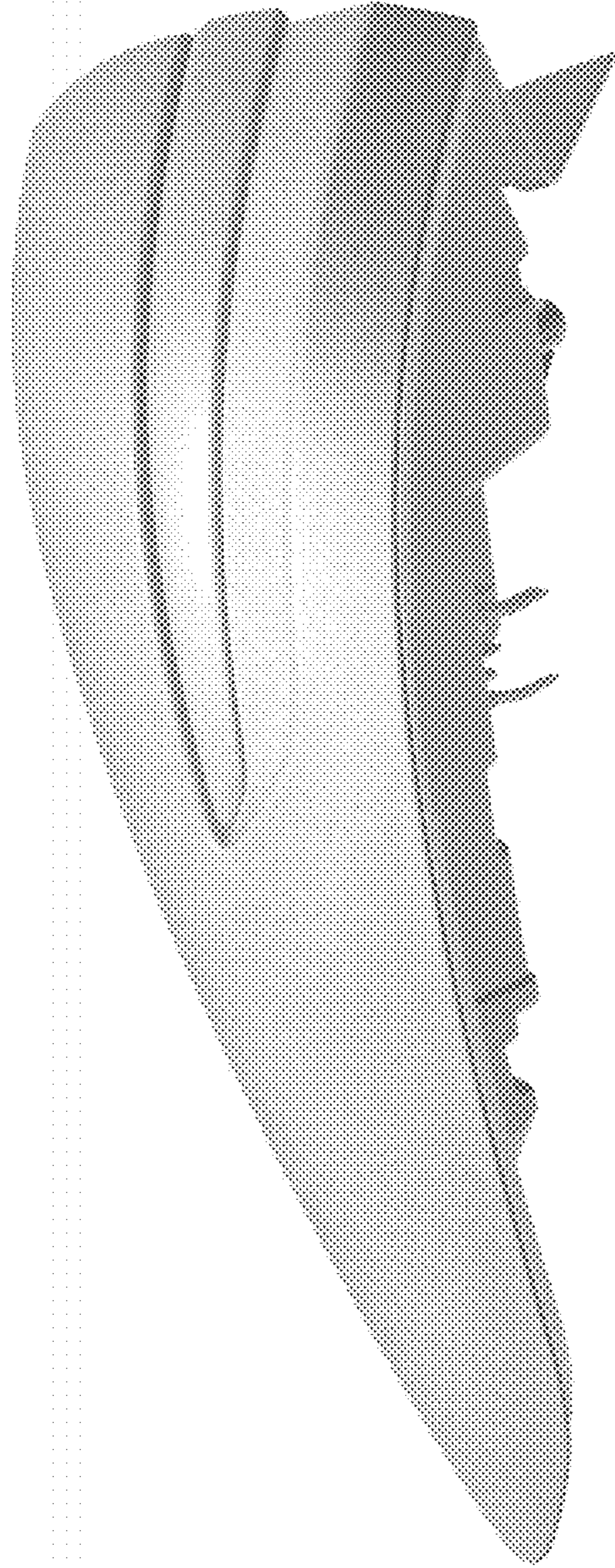


Figure 2

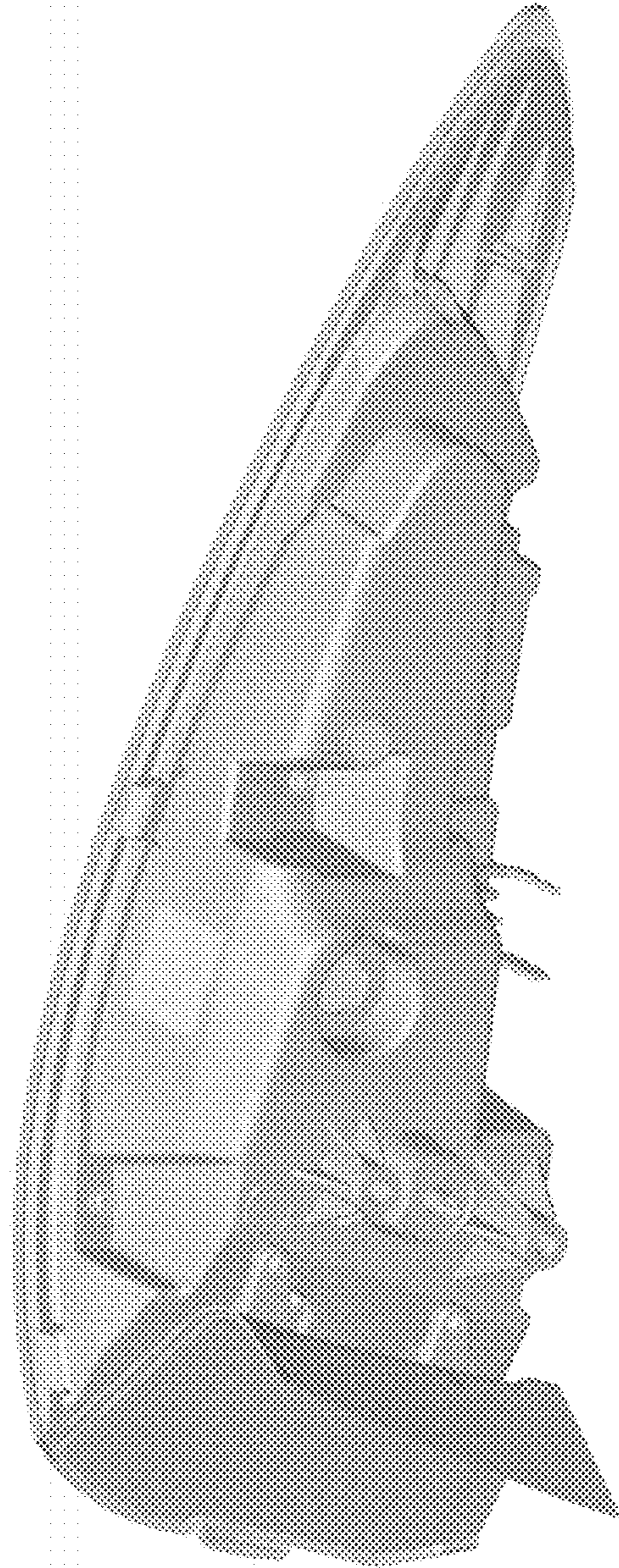


Figure 3

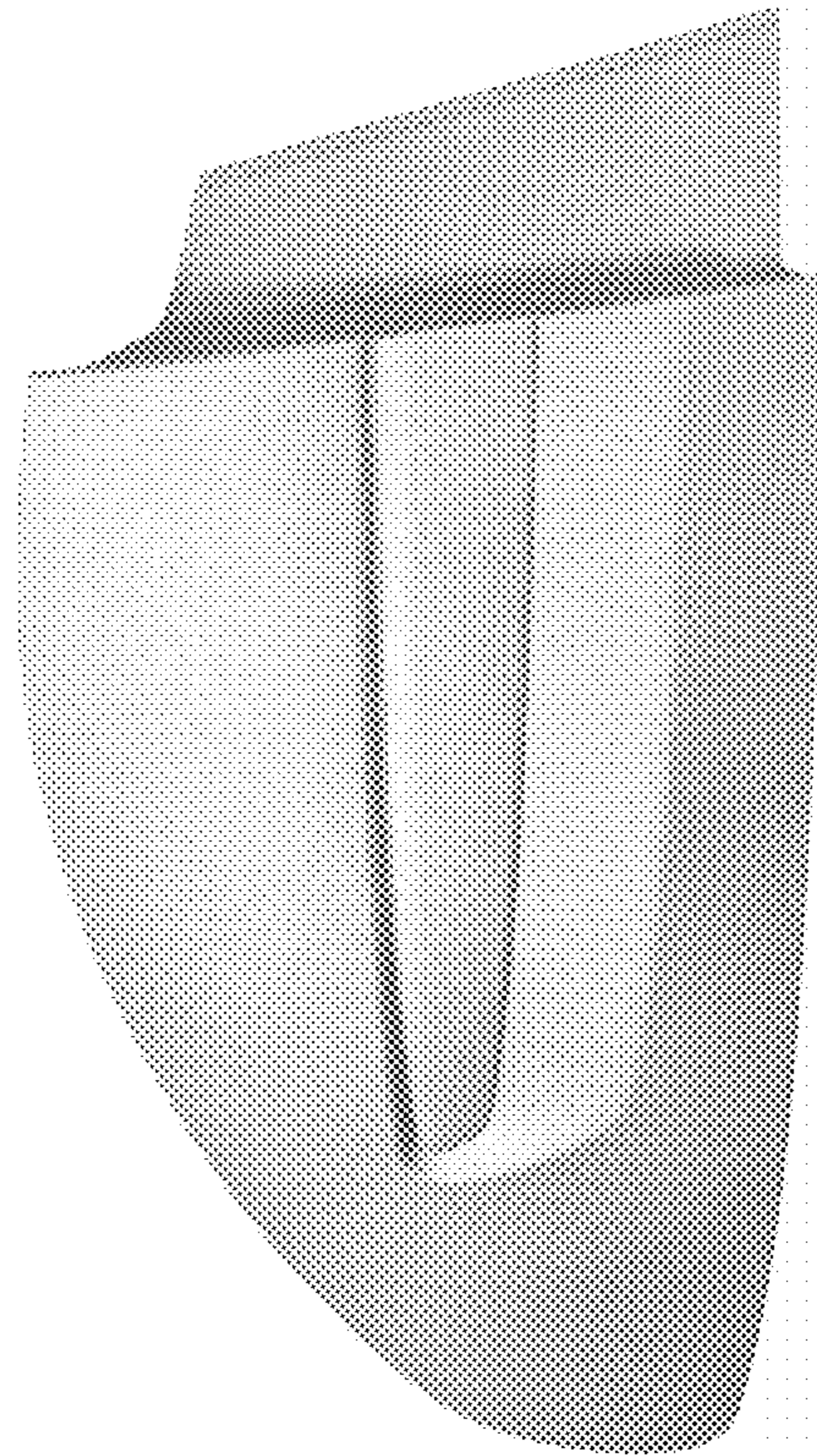


Figure 4

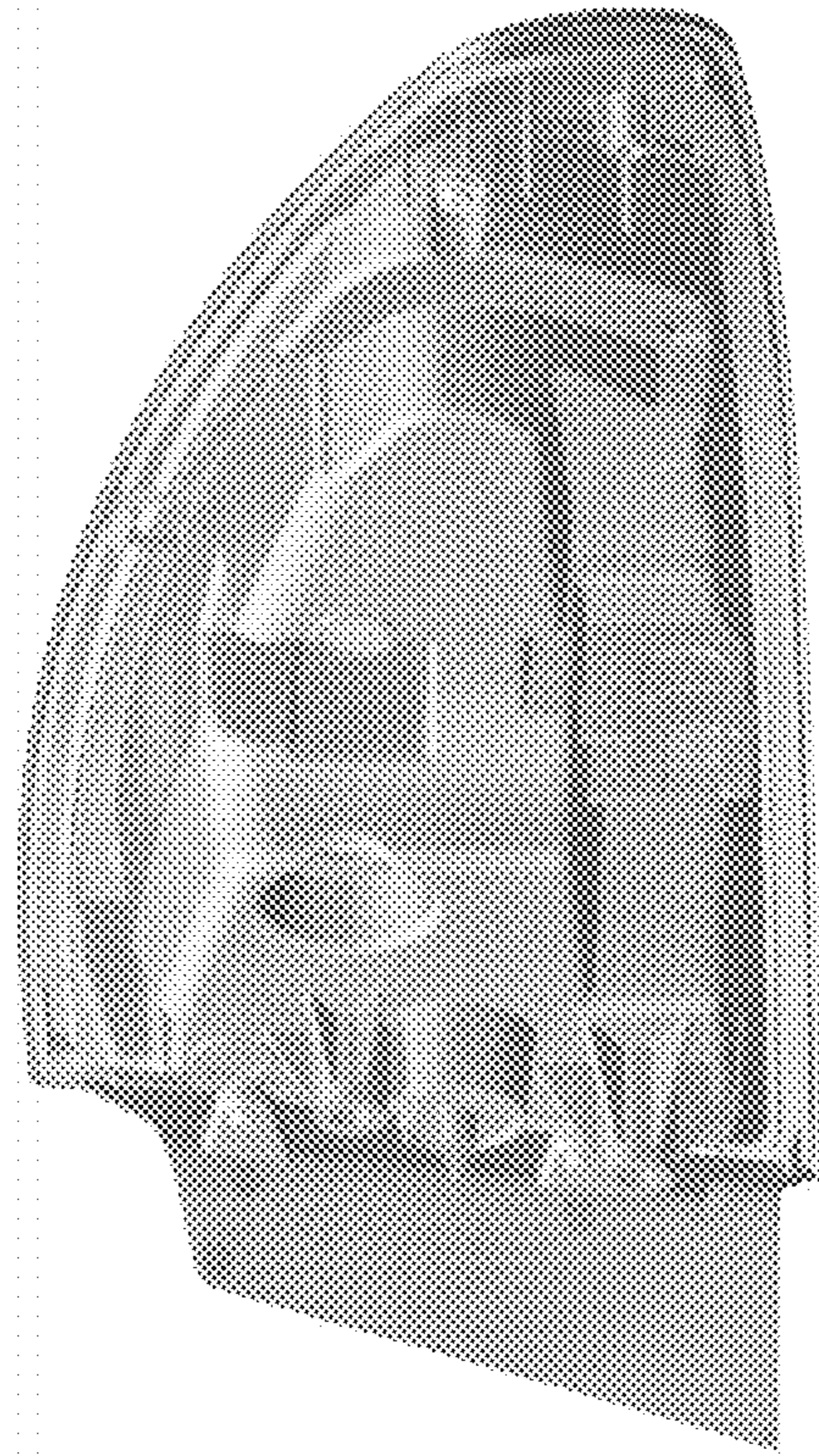


Figure 5

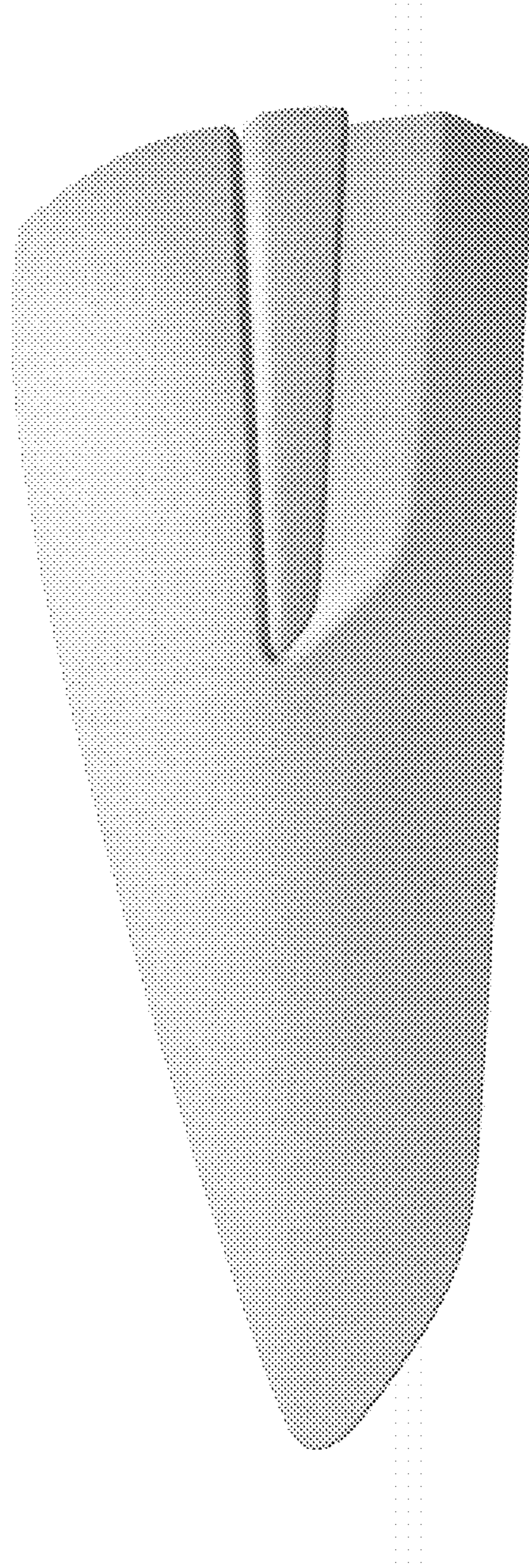


Figure 6

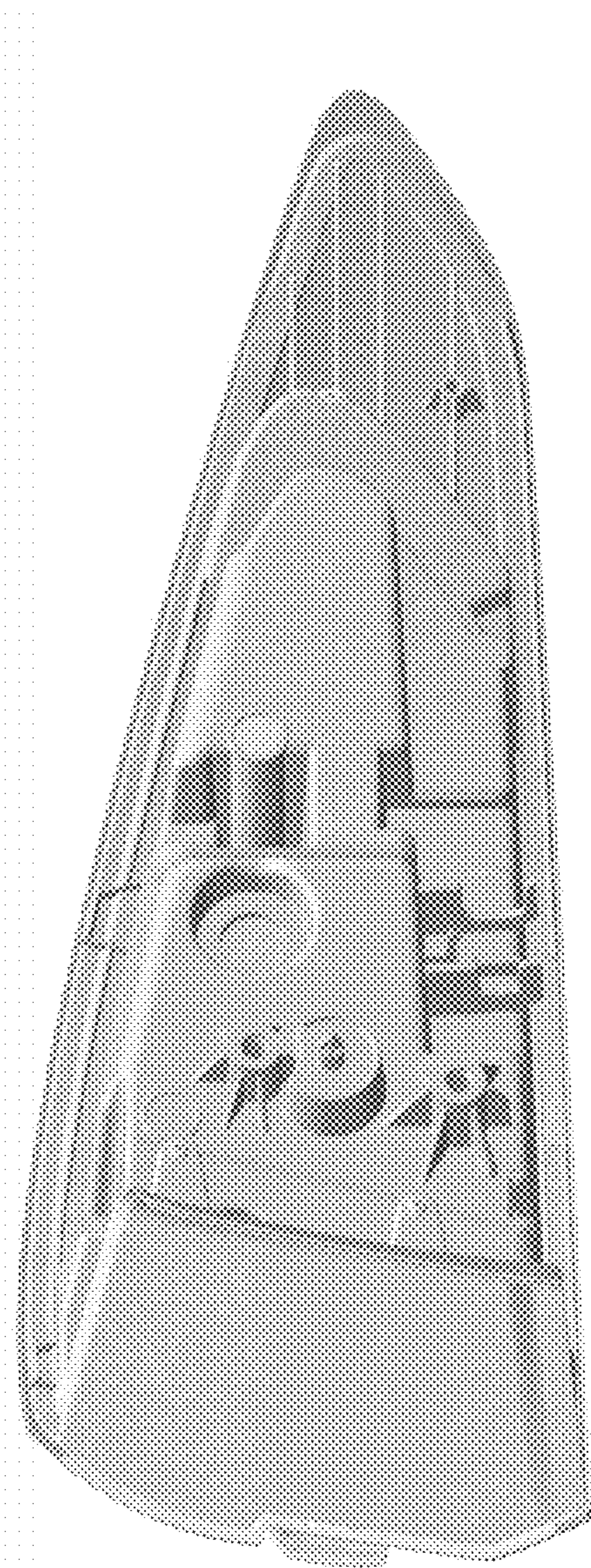


Figure 7

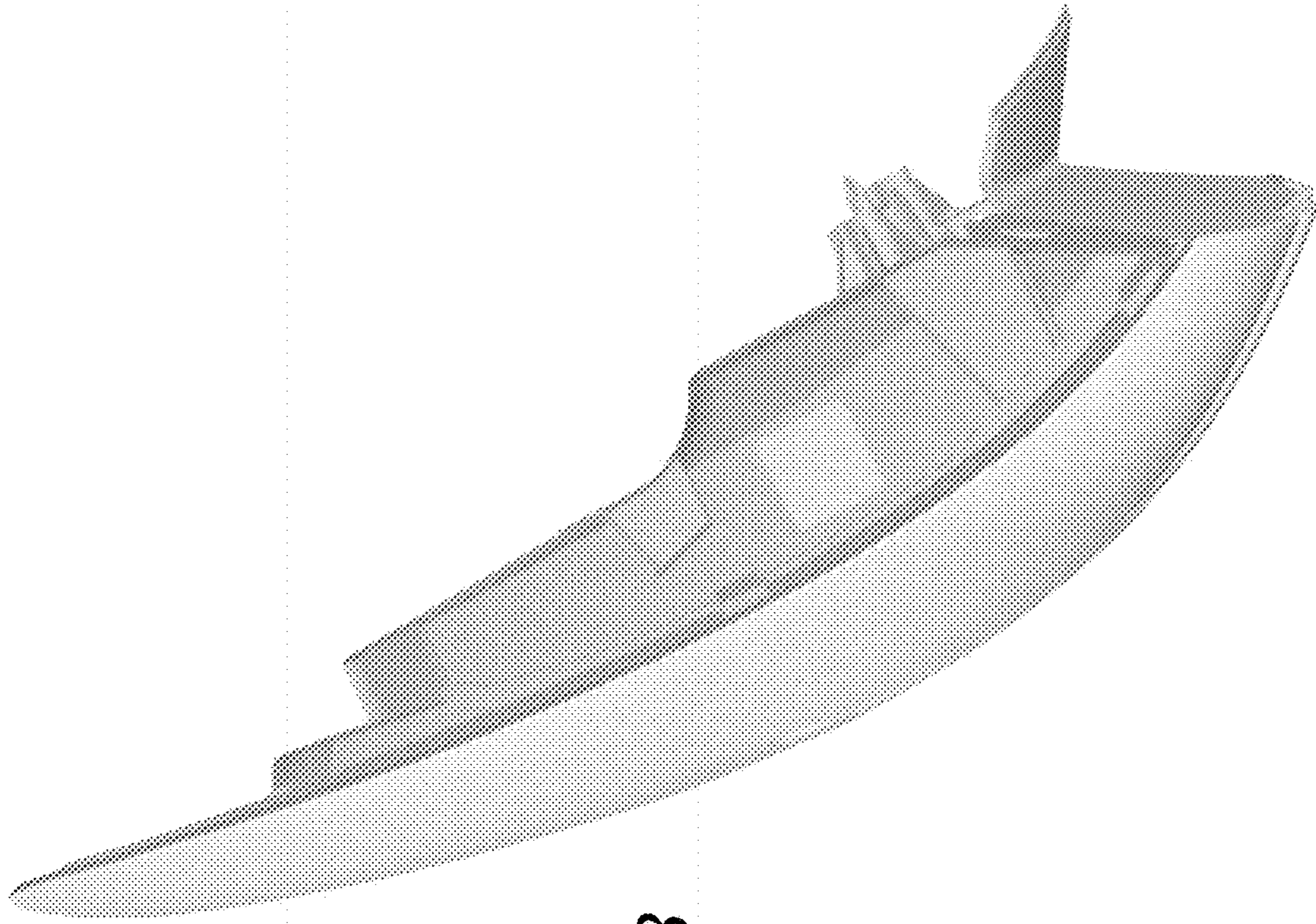


Figure 8

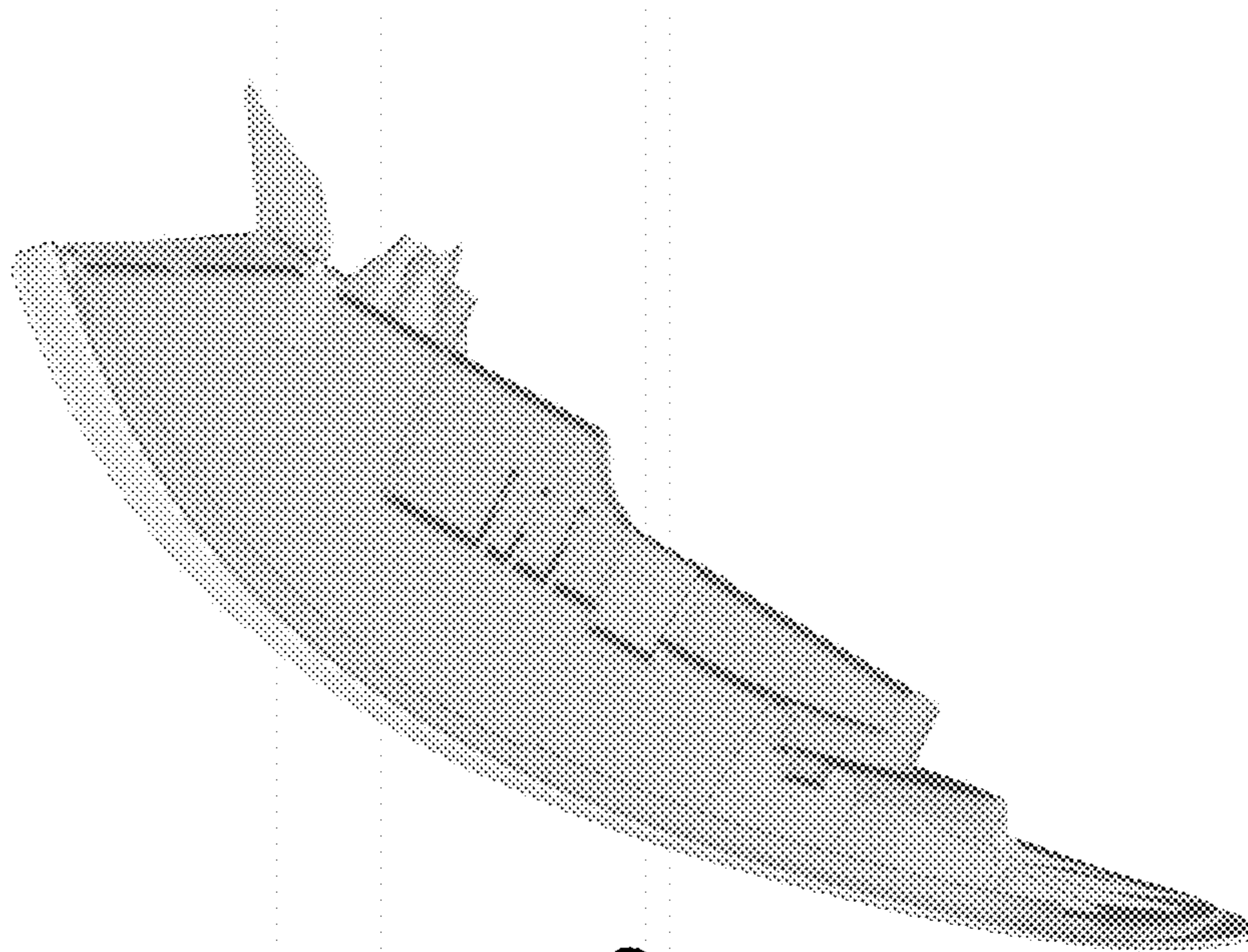


Figure 9