



US00D787099S

(12) **United States Design Patent** (10) **Patent No.:** **US D787,099 S**  
**Giolito** (45) **Date of Patent:** **\*\* May 16, 2017**

(54) **LUMINOUS DEVICE FOR A VEHICLE**

(71) Applicant: **FCA Italy S.p.A.**, Turin (IT)

(72) Inventor: **Roberto Giolito**, Turin (IT)

(73) Assignee: **FCA ITALY S.p.A.**, Turin (IT)

(\*\*) Term: **15 Years**

(21) Appl. No.: **29/548,724**

(22) Filed: **Dec. 16, 2015**

(30) **Foreign Application Priority Data**

Jun. 17, 2015 (EM) ..... 002720599

(51) **LOC (10) Cl.** ..... **26-07**

(52) **U.S. Cl.**  
USPC ..... **D26/28**

(58) **Field of Classification Search**  
USPC ..... D26/28-36; 362/459-468, 475-478,  
362/485-487  
CPC ..... F21S 48/00; F21S 48/10; F21S 48/115;  
F21S 48/225; F21S 48/1233; F21S  
48/1266; F21S 48/1388; F21S 48/2268;  
F21V 21/04

See application file for complete search history.

(56) **References Cited**

**U.S. PATENT DOCUMENTS**

D471,656 S \* 3/2003 Poon ..... D26/28  
D521,163 S \* 5/2006 Song ..... D26/28

D523,571 S \* 6/2006 Sugimoto ..... D26/28  
D563,574 S \* 3/2008 Ino ..... D26/28  
D592,779 S \* 5/2009 Svensson ..... D26/28  
D713,072 S \* 9/2014 Phutrakool ..... D26/28  
D721,194 S \* 1/2015 Ito ..... D26/28  
D722,399 S \* 2/2015 Dubosc ..... D26/28  
D722,713 S \* 2/2015 Burns ..... D26/28  
D744,675 S \* 12/2015 Schneider ..... D26/28  
D750,819 S \* 3/2016 Schneider ..... D26/28  
D761,984 S \* 7/2016 Kobayashi ..... D26/28

\* cited by examiner

*Primary Examiner* — Angela J Lee

(74) *Attorney, Agent, or Firm* — Cowan, Liebowitz & Latman, P.C.

(57) **CLAIM**

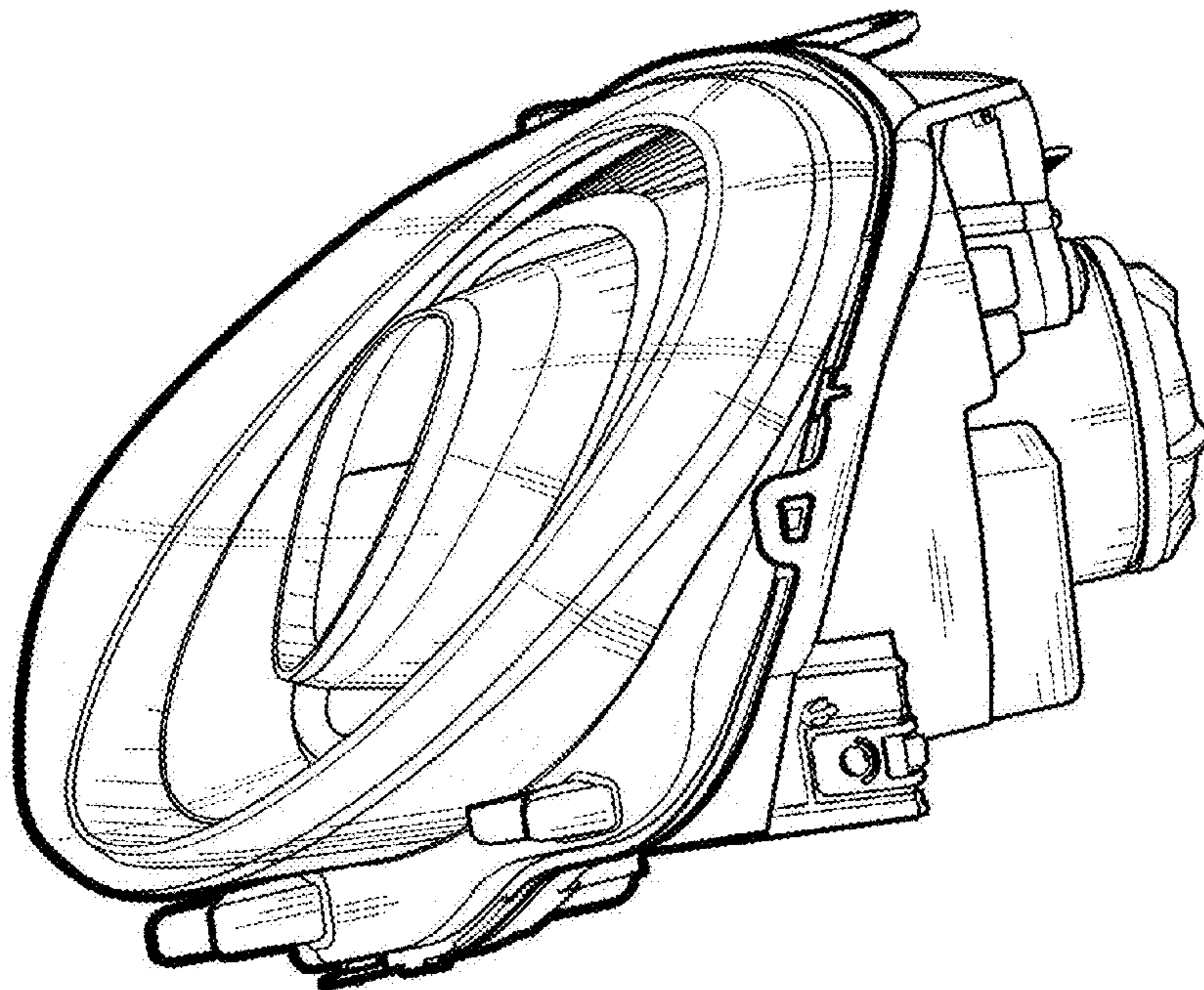
The ornamental design for a luminous device for a vehicle, as shown and described.

**DESCRIPTION**

FIG. 1 is a front perspective view of the luminous device for a vehicle showing my design thereof;  
FIG. 2 is a front view thereof;  
FIG. 3 is a rear view thereof;  
FIG. 4 is a right side view thereof;  
FIG. 5 is a left side view thereof;  
FIG. 6 is a top view thereof; and,  
FIG. 7 is a bottom view thereof.

The features shown in broken lines are form no part of the claimed design.

**1 Claim, 7 Drawing Sheets**



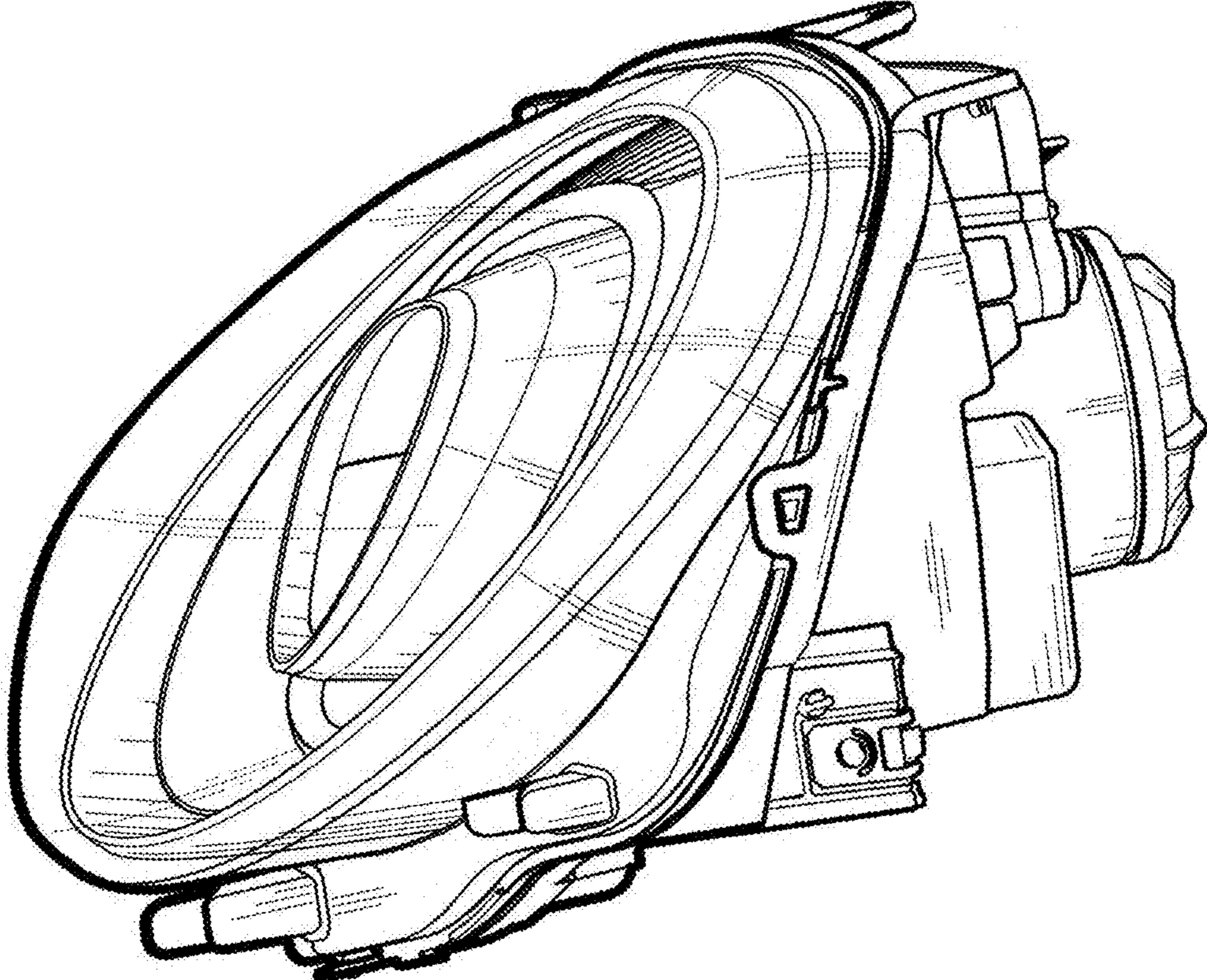


FIG.1

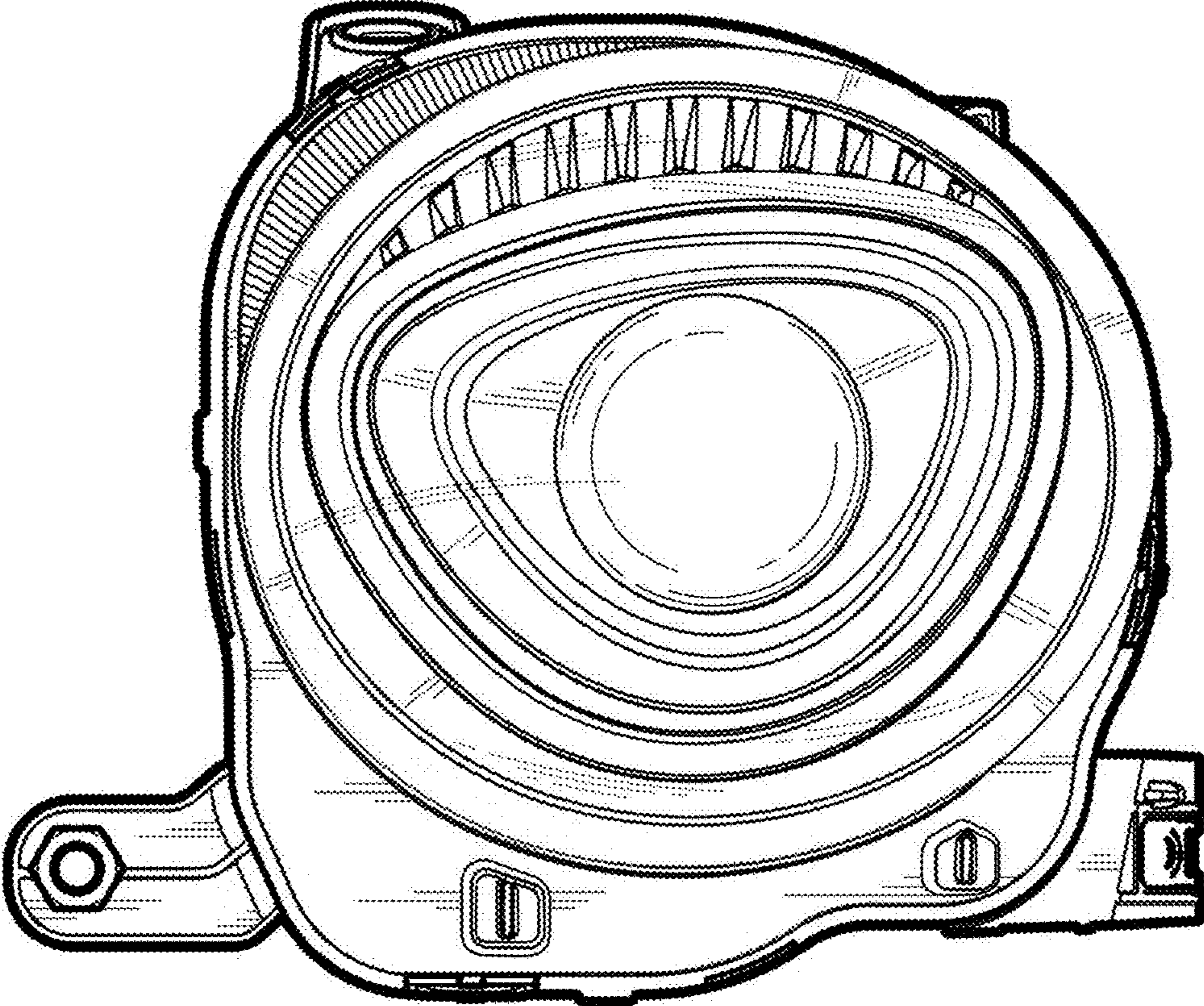


FIG.2

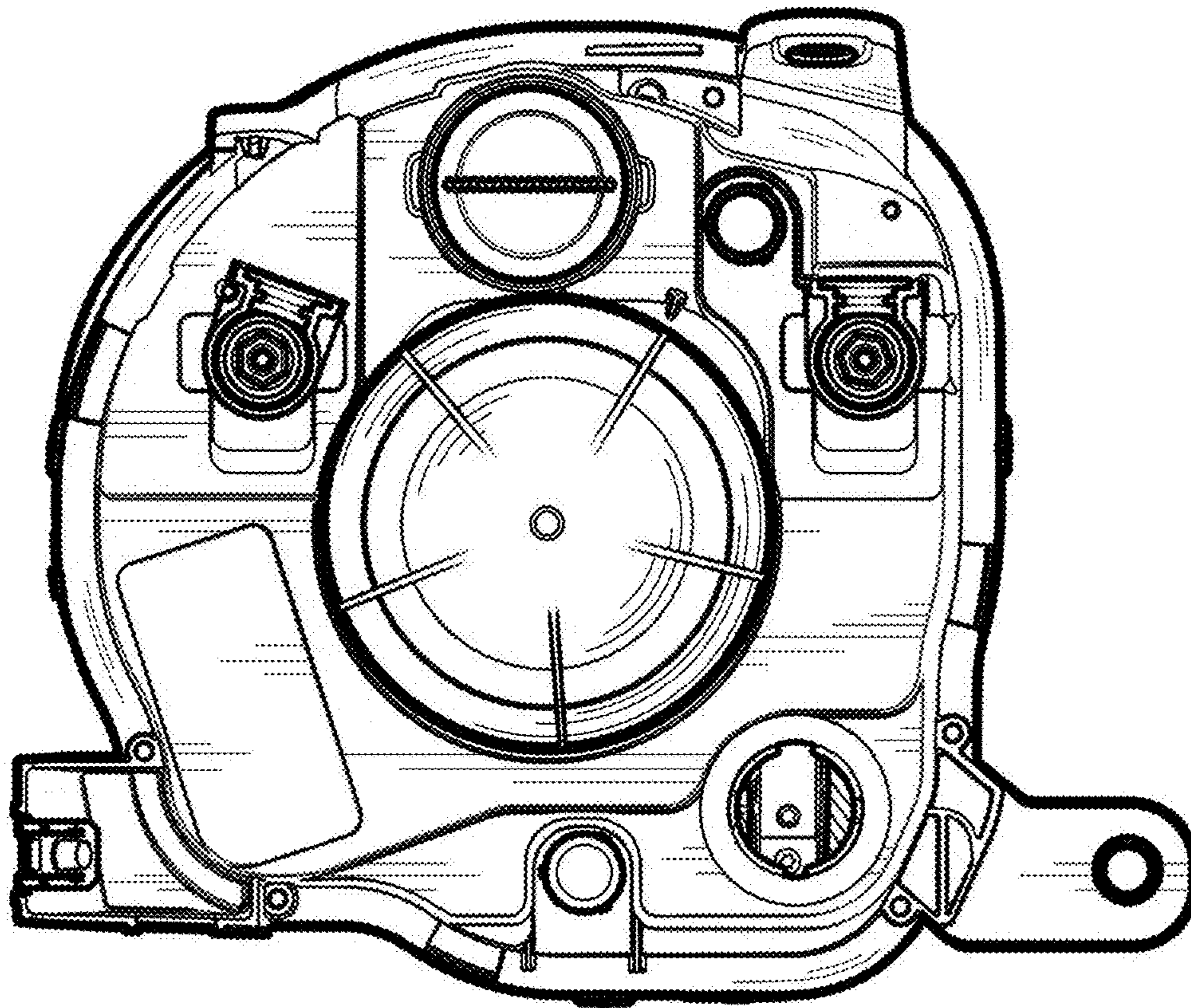


FIG.3

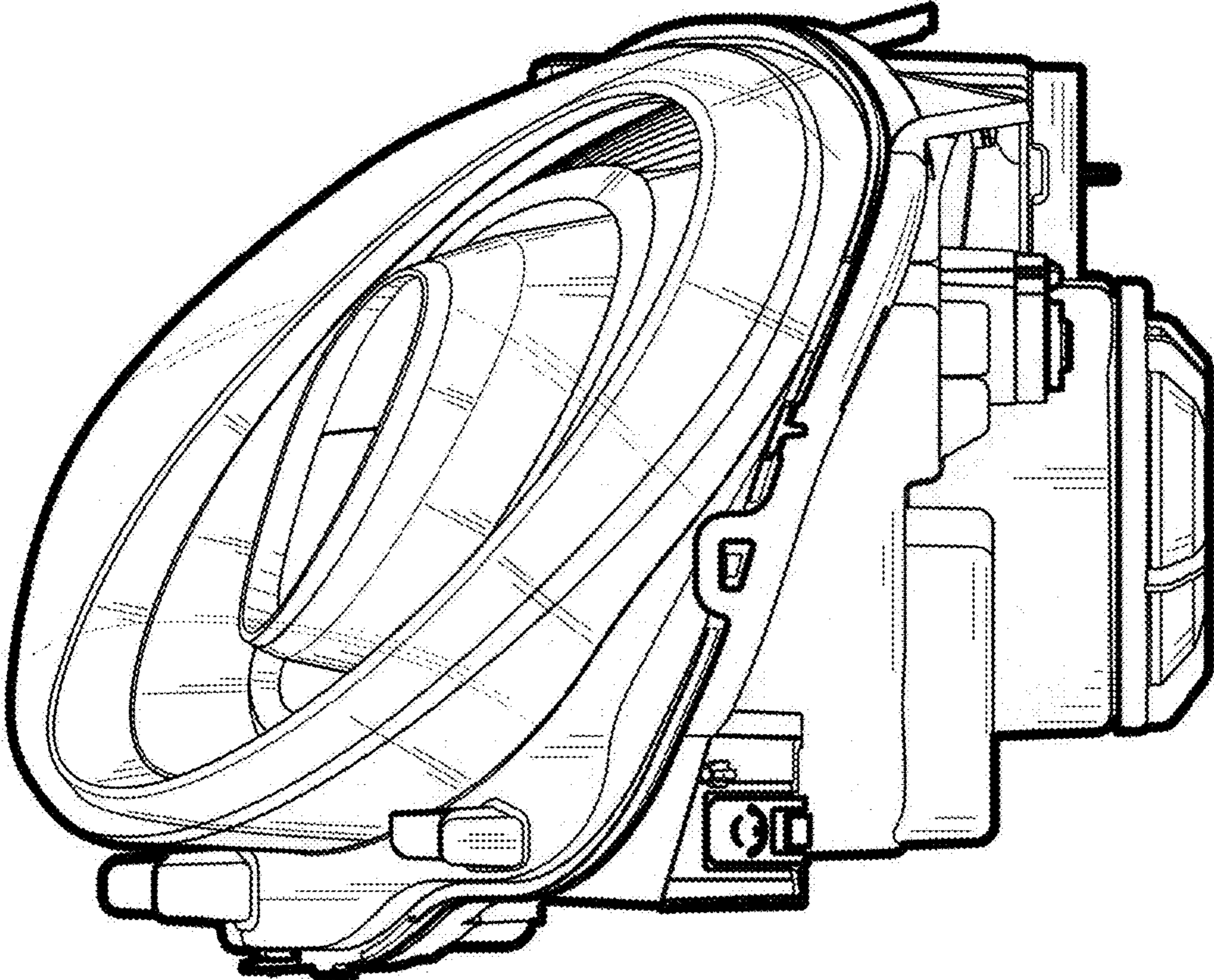


FIG.4

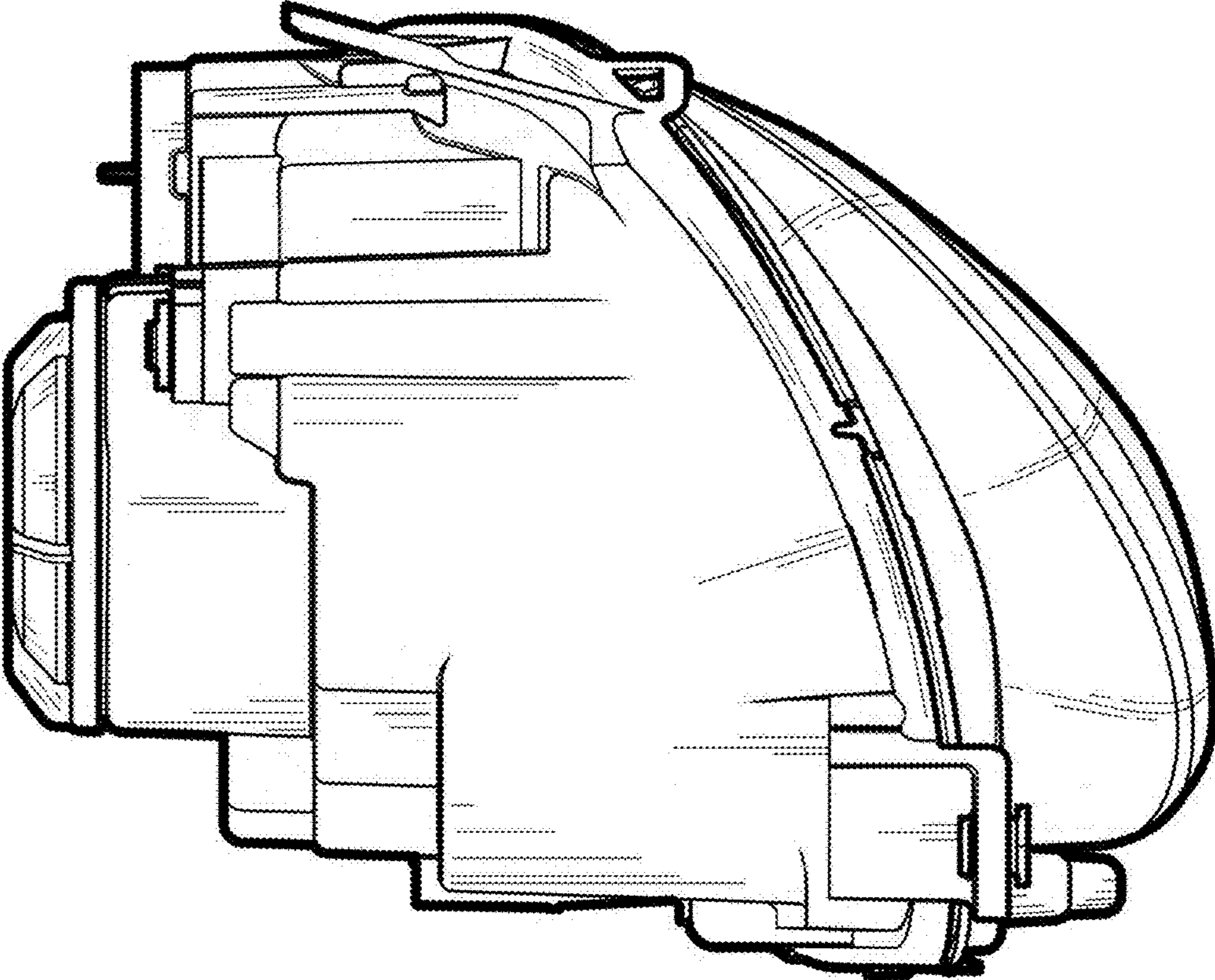


FIG.5

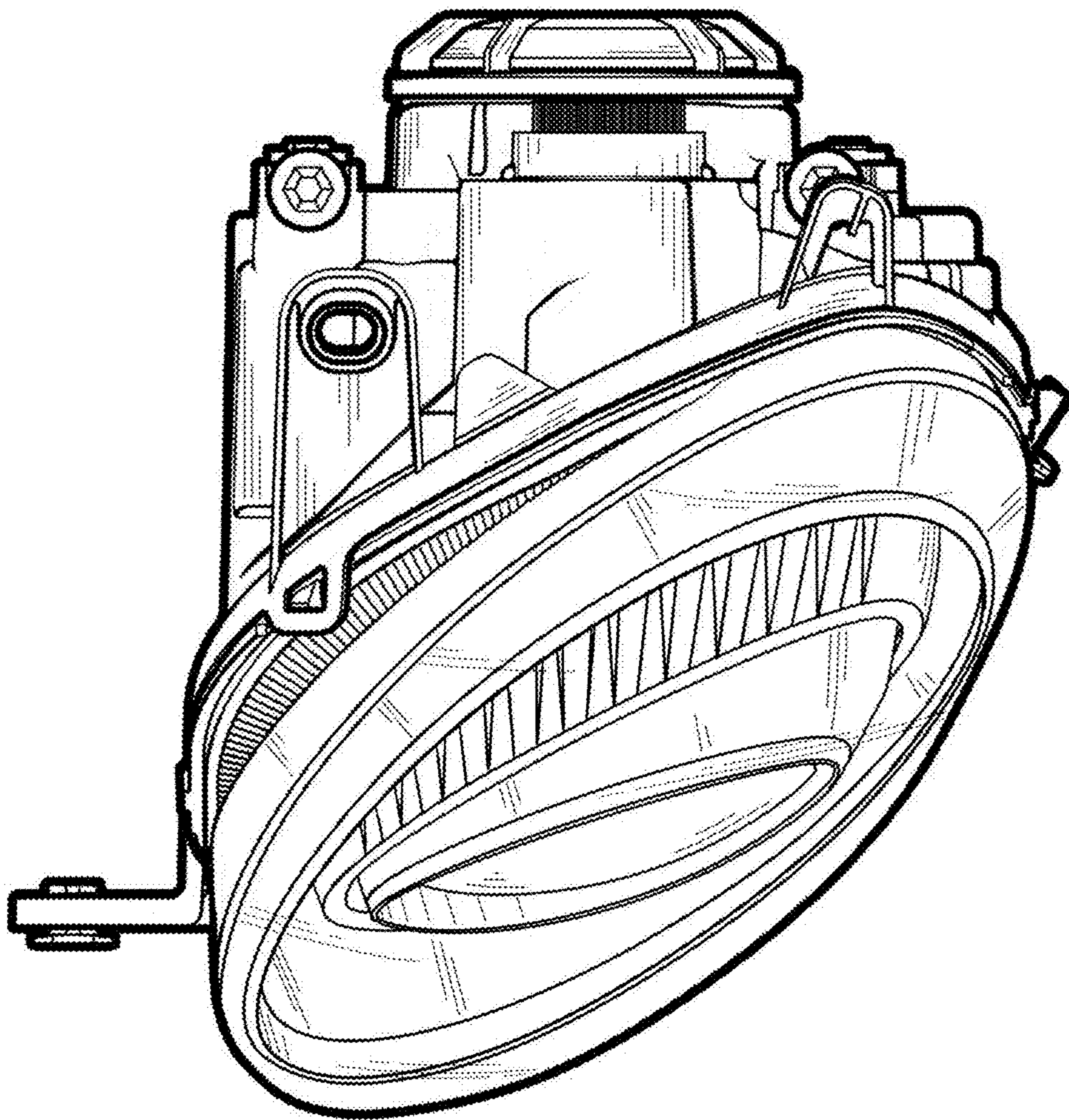


FIG.6

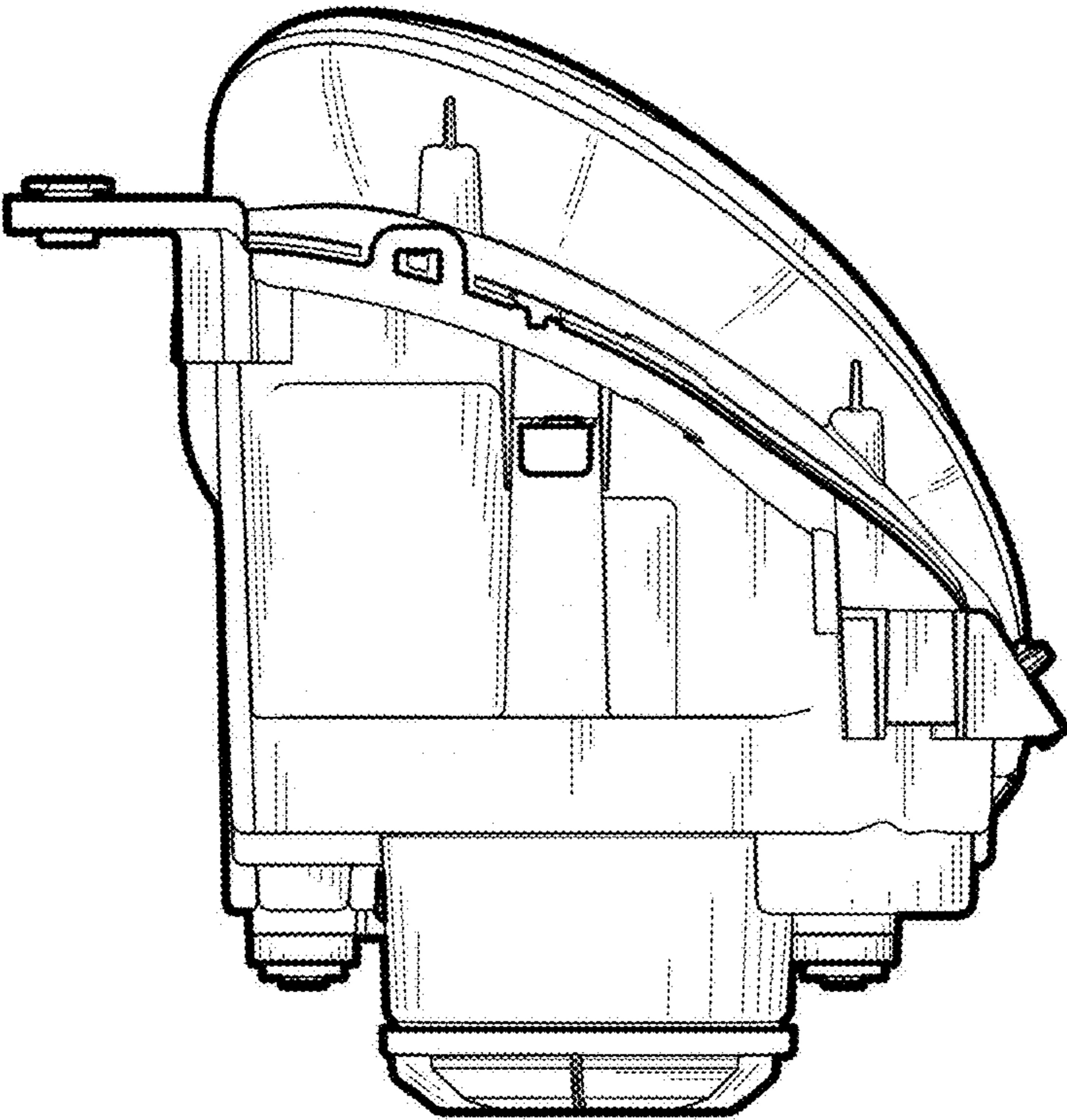


FIG.7