



US00D787096S

(12) **United States Design Patent**
Moyal

(10) **Patent No.:** **US D787,096 S**

(45) **Date of Patent:** **** May 16, 2017**

(54) **GEL CANDLE**

(71) Applicant: **Kimberly L. Moyal**, Northbrook, IL
(US)

(72) Inventor: **Kimberly L. Moyal**, Northbrook, IL
(US)

(**) Term: **15 Years**

(21) Appl. No.: **29/552,065**

(22) Filed: **Jan. 20, 2016**

Related U.S. Application Data

(63) Continuation-in-part of application No. 29/460,518,
filed on Jul. 11, 2013, now abandoned.

(51) **LOC (10) Cl.** **15-01**

(52) **U.S. Cl.**
USPC **D26/6; D26/22**

(58) **Field of Classification Search**

USPC D26/9-23; 431/299, 125, 126, 292, 289;
D11/131, 131.1, 157; 44/268

CPC F21V 35/00; F21V 35/003; F21V 21/06;
F21V 15/01; F21V 1/00; F21V 21/0824;
F21V 19/02; F21V 21/00; F21V 21/005;
F21V 21/02; F21V 21/08; F21V 21/0808;
F21V 21/0832; F21V 21/088; F21V
21/116

See application file for complete search history.

(56) **References Cited**

U.S. PATENT DOCUMENTS

D411,891 S 7/1999 Bell et al.
6,214,063 B1 * 4/2001 DeStefano C10L 5/40
44/275

6,241,512 B1 * 6/2001 Freeman C11C 5/002
431/291
D461,916 S * 8/2002 Araujo D26/6
6,435,694 B1 * 8/2002 Bell C11C 5/008
362/161
D465,037 S * 10/2002 McCoy D26/11
6,652,606 B1 * 11/2003 Zimmerman C11C 5/008
424/126
D699,872 S * 2/2014 Karpowicz D26/22
2002/0150854 A1 * 10/2002 Riches A61L 9/03
431/291

* cited by examiner

Primary Examiner — T. Chase Nelson

Assistant Examiner — Ania Aman

(74) *Attorney, Agent, or Firm* — Tracy Jong Law Firm;
Tracy P. Jong; Cheng Ning Jong

(57) **CLAIM**

The ornamental design for gel candle, as shown and
described.

DESCRIPTION

FIG. 1 is a top perspective view of a gel candle showing my
new design, wherein coffee beans are disposed on at least a
portion of the bottom of a votive vessel.

FIG. 2 is a top perspective view thereof.

FIG. 3 is a bottom perspective view thereof.

FIG. 4 is a front perspective view thereof.

FIG. 5 is a rear perspective view thereof.

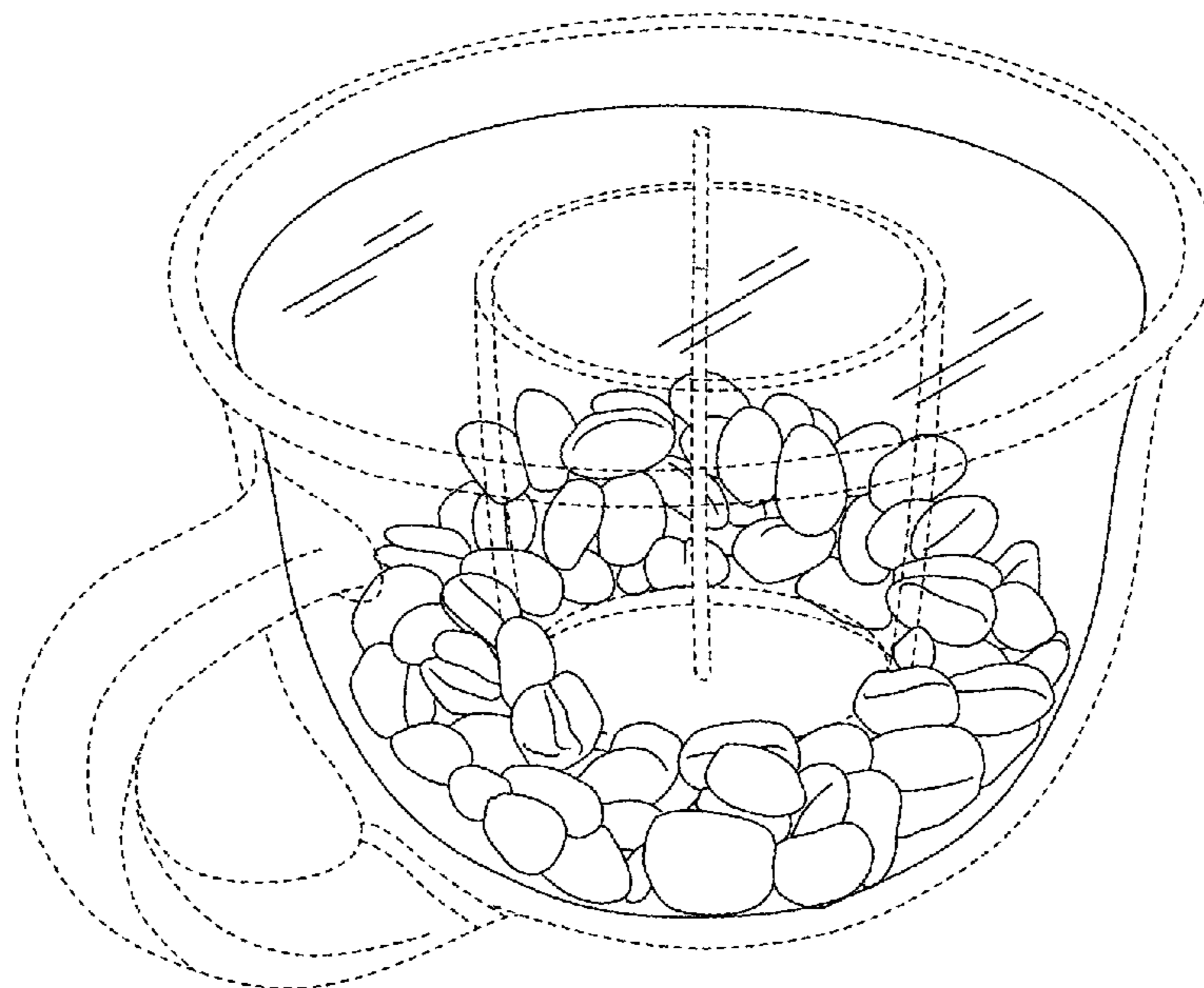
FIG. 6 is a left side perspective view thereof; and,

FIG. 7 is a right side perspective view thereof.

The single dashed lines represent outer portions of a gel
candle, an inner vessel and a wick and form no part of the
claim.

The characteristic feature of the design resides with the gel
candle having materials embedded therein.

1 Claim, 4 Drawing Sheets



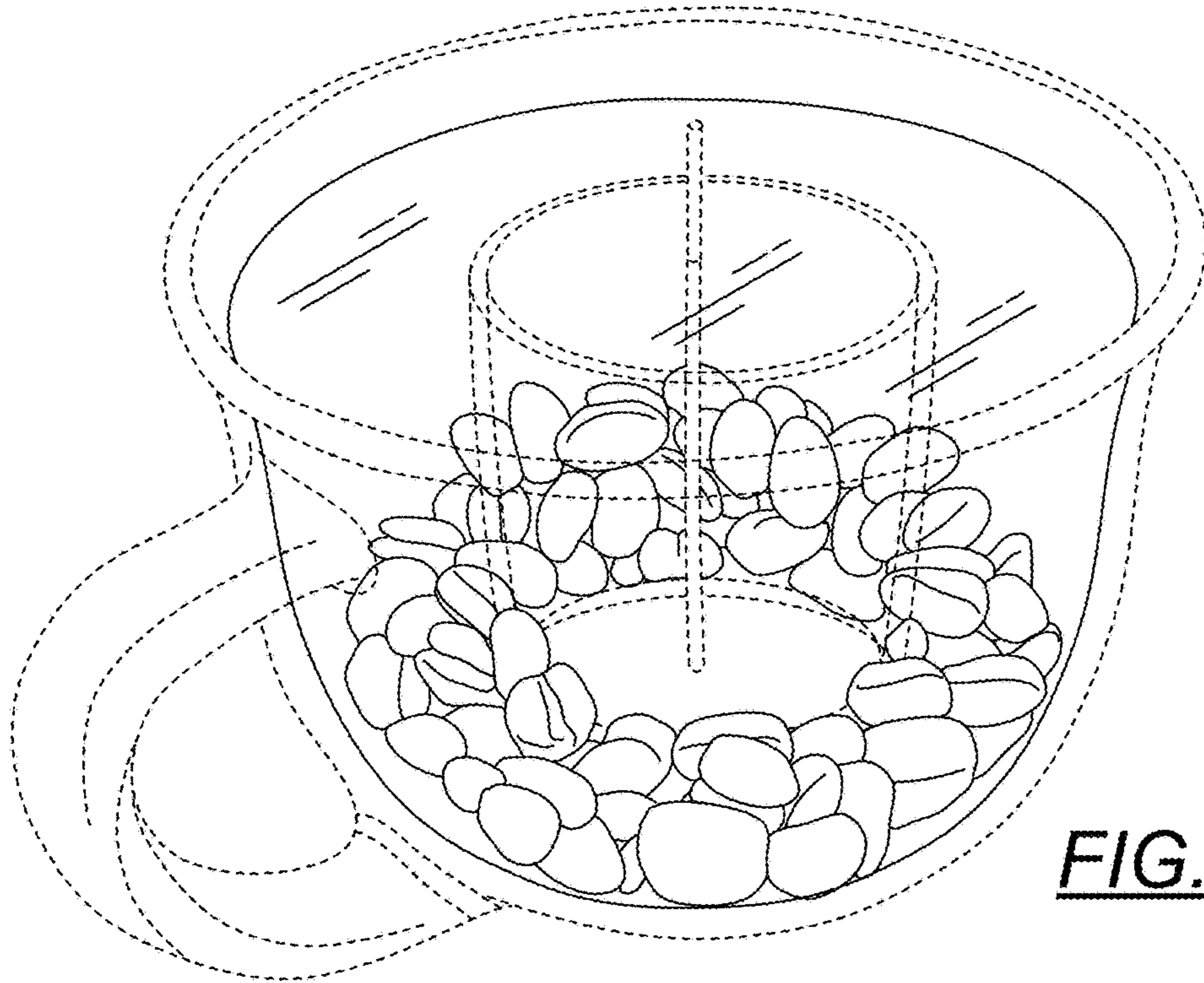


FIG. 1

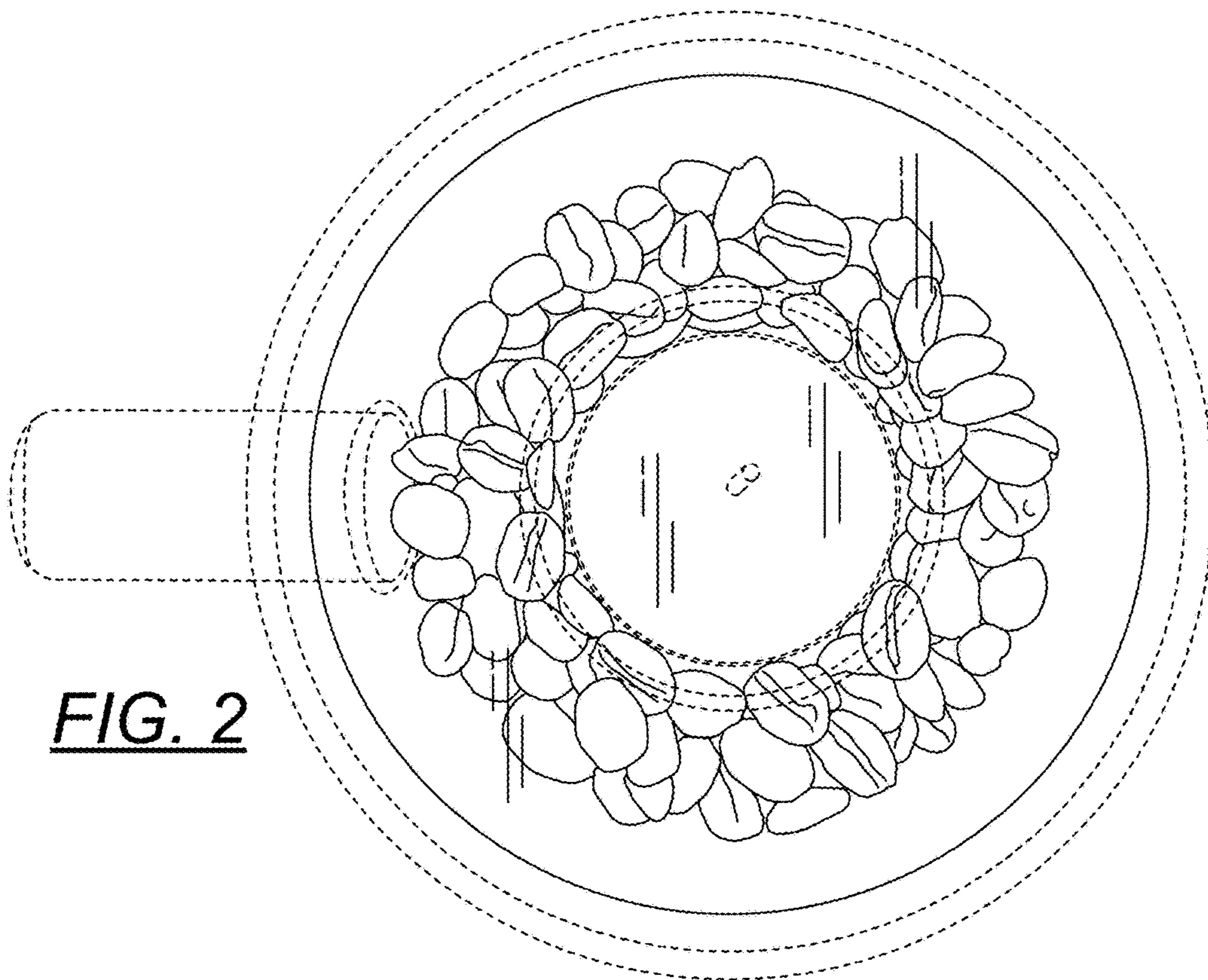


FIG. 2

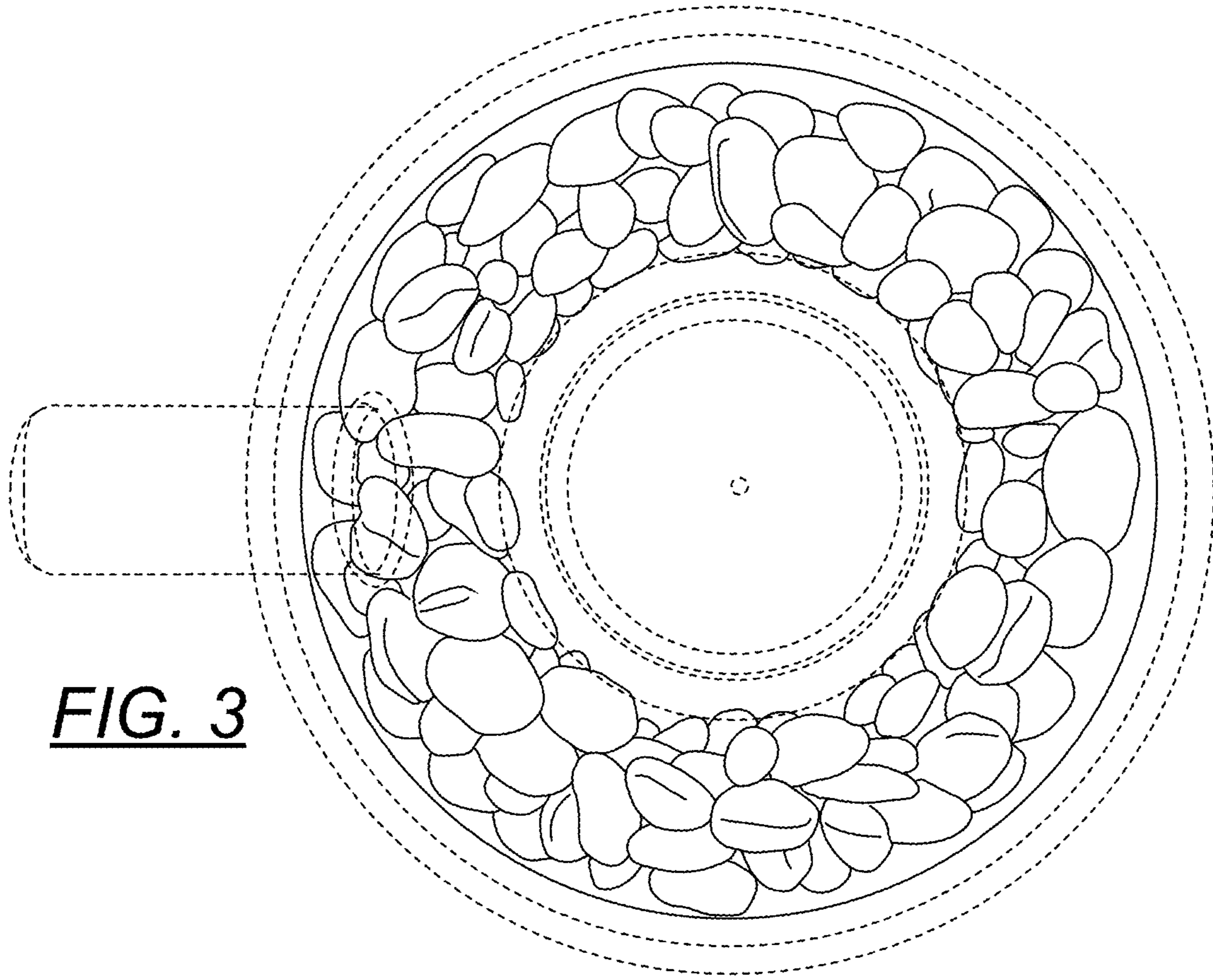


FIG. 3

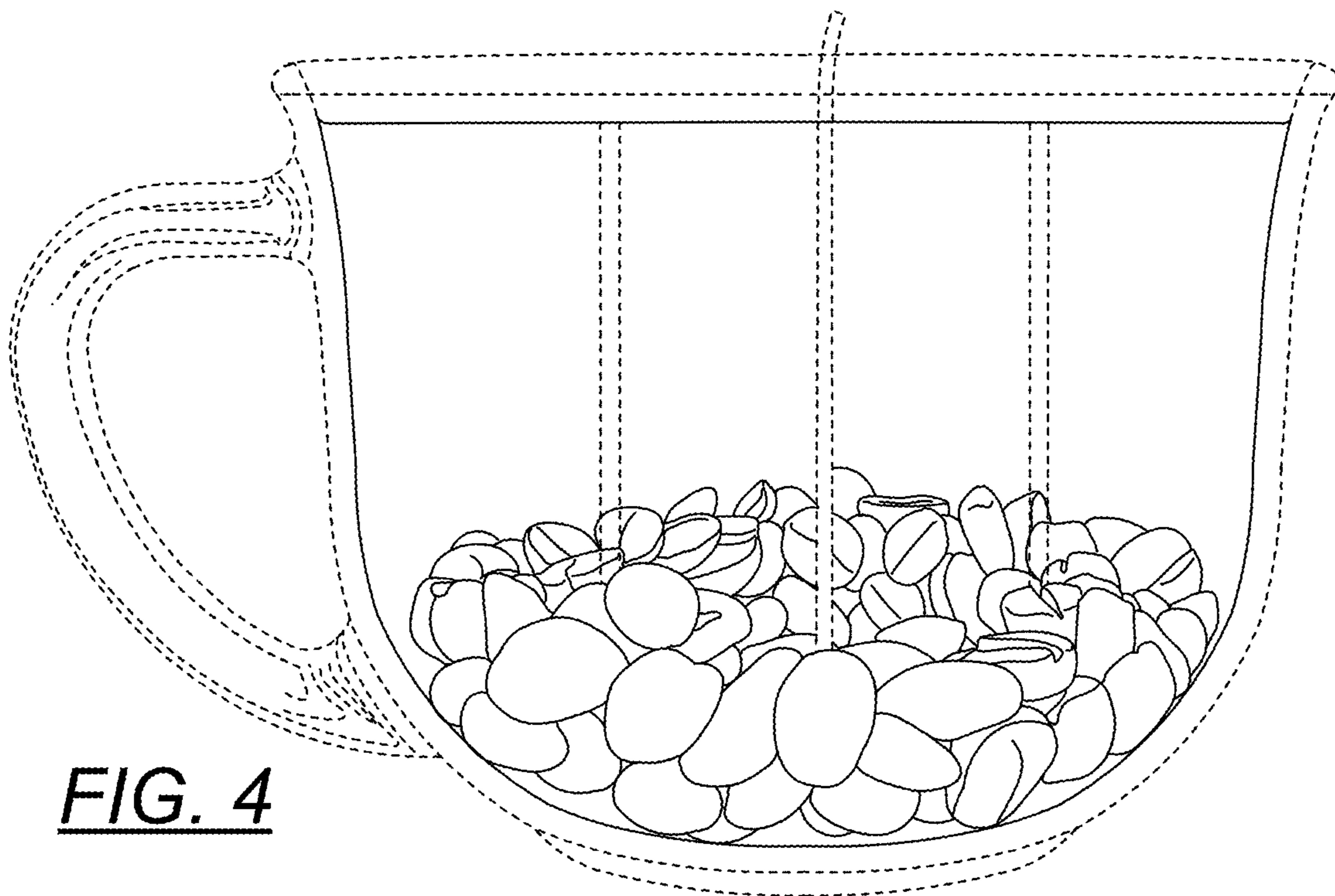
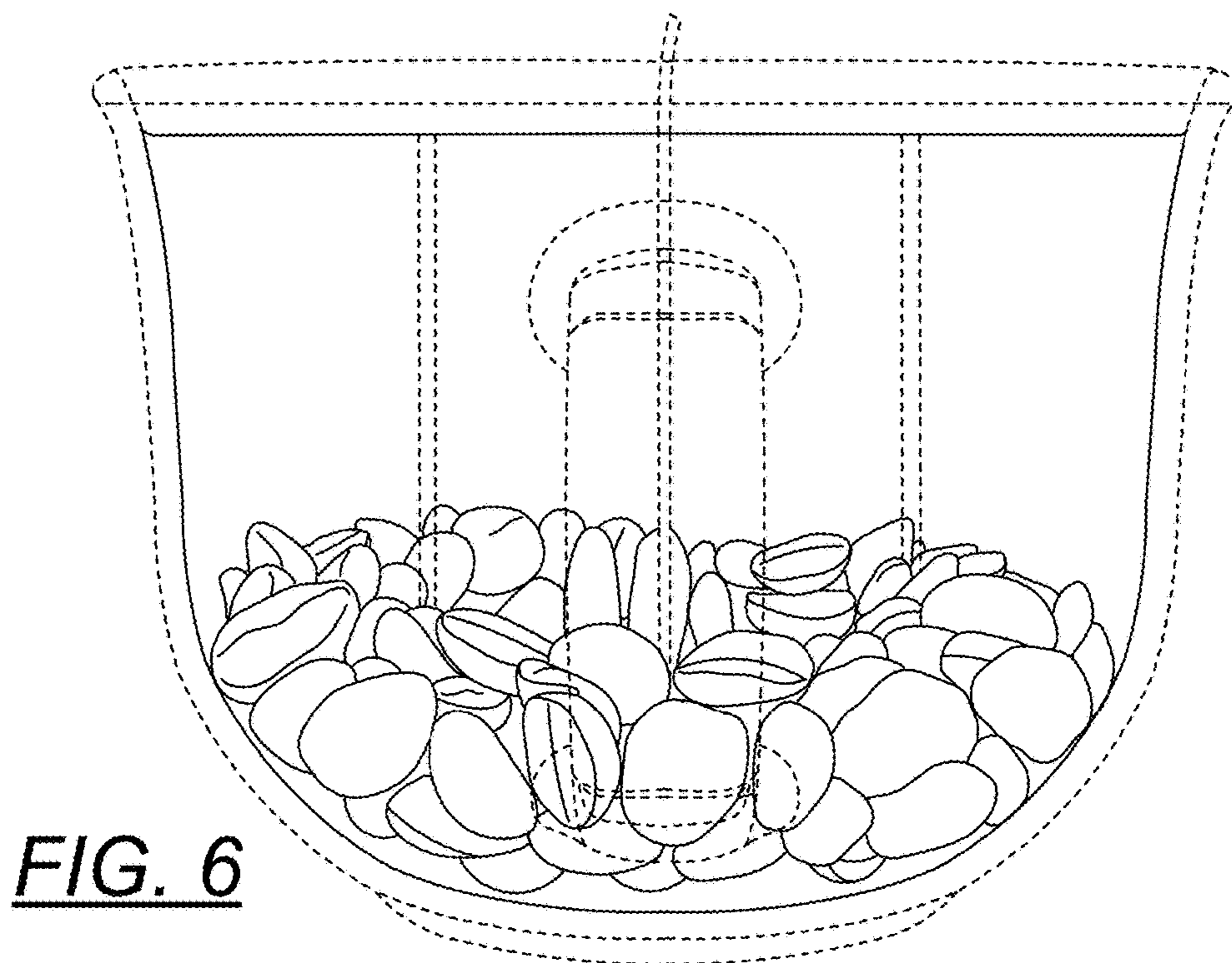
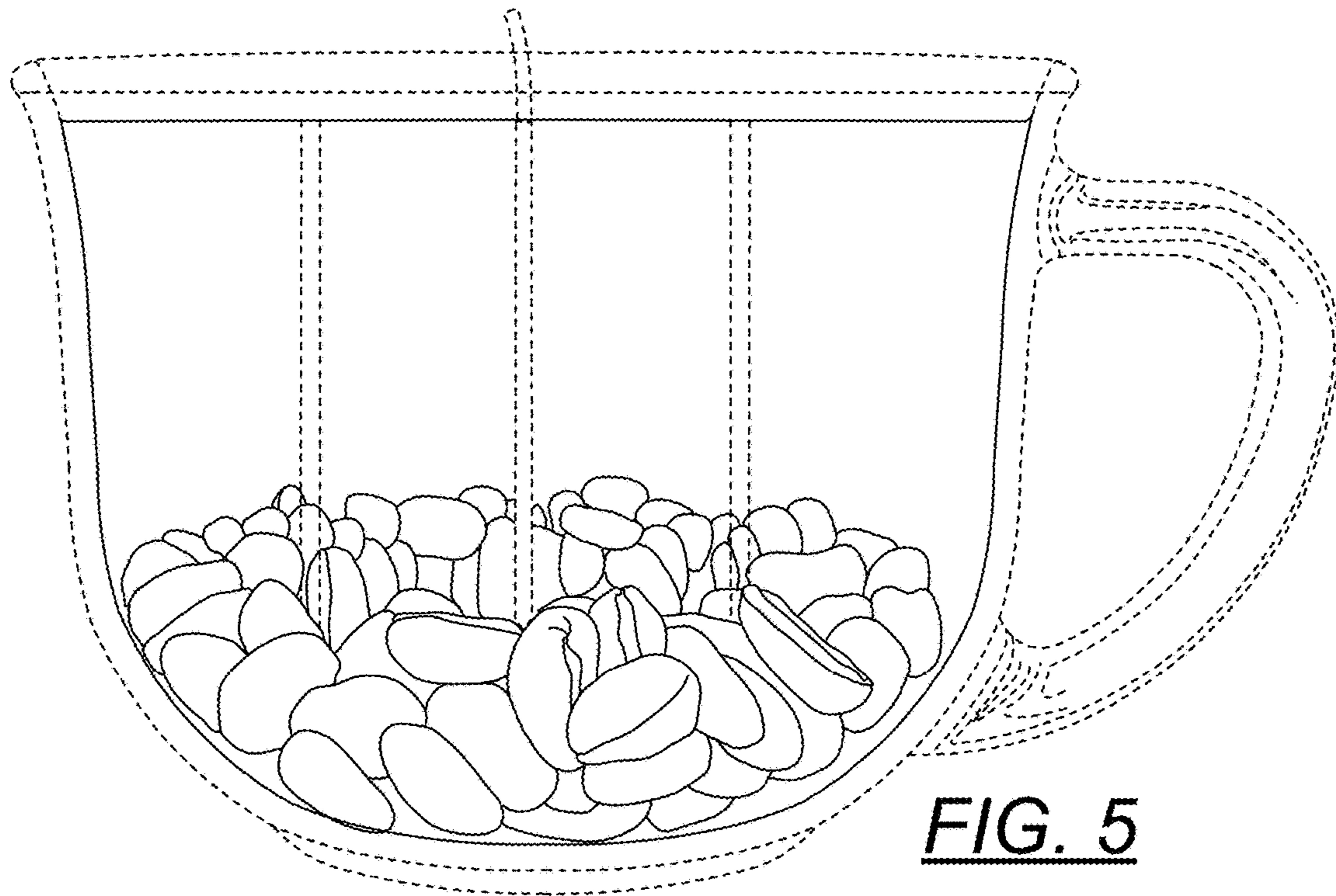


FIG. 4



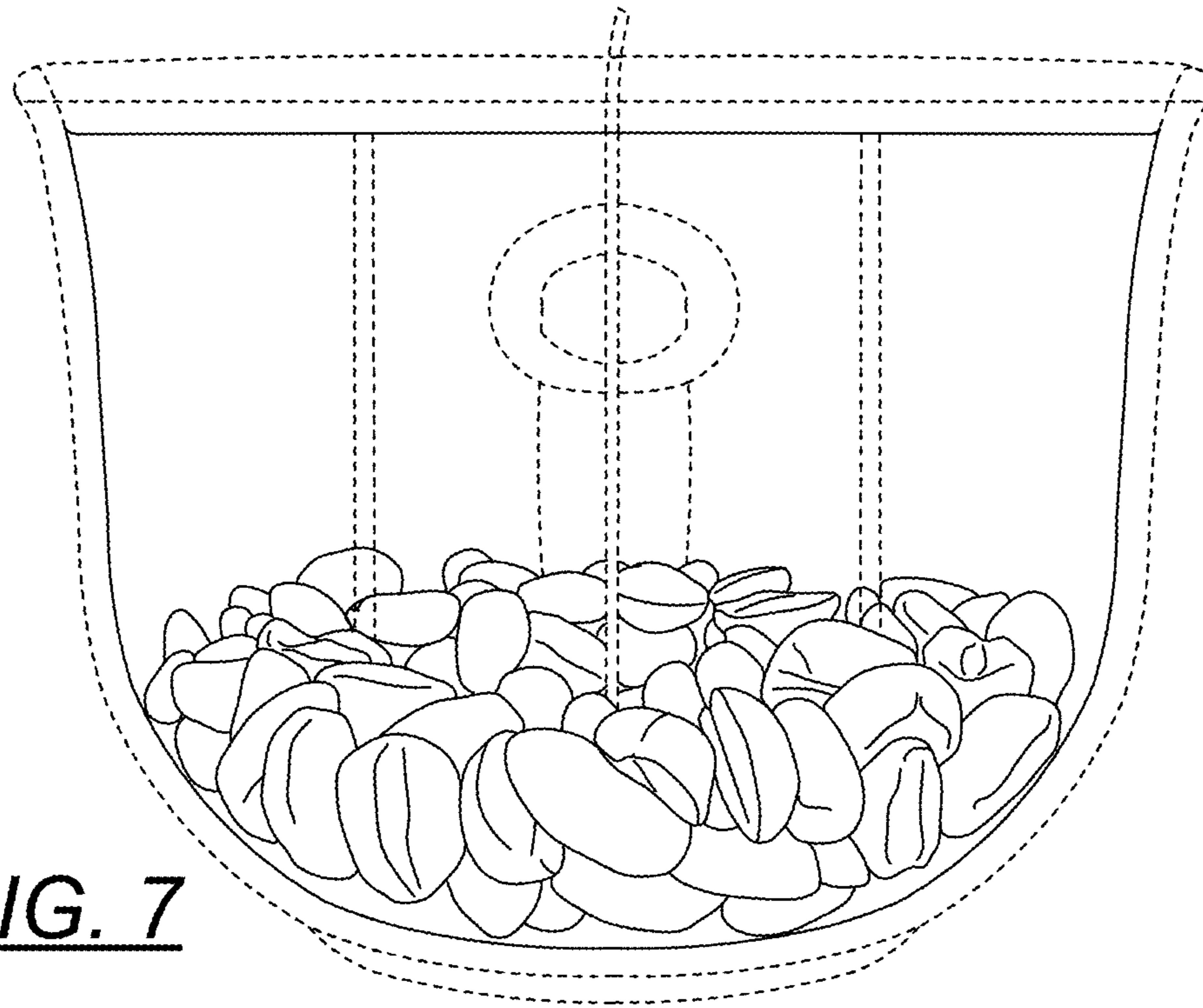


FIG. 7