



US00D787092S

(12) **United States Design Patent**  
**Singh**

(10) **Patent No.:** **US D787,092 S**

(45) **Date of Patent:** **\*\* May 16, 2017**

- (54) **TRIM REVEAL EXTRUSION**
- (71) Applicant: **Joshua George Singh**, Calgary (CA)
- (72) Inventor: **Joshua George Singh**, Calgary (CA)
- (\*\*) Term: **15 Years**
- (21) Appl. No.: **29/535,788**
- (22) Filed: **Aug. 10, 2015**
- (51) **LOC (10) Cl.** ..... **25-01**
- (52) **U.S. Cl.**  
USPC ..... **D25/119**
- (58) **Field of Classification Search**  
USPC ..... D25/119-125; 52/396.04, 396.08,  
52/396.52, 273, 277, 278, 279, 282.3,  
52/283, 255, 799.11, 800.1, 800.11, 62,  
52/169.5, 281, 282.1, 287.1, 288.1, 716.2,  
52/716.8, 717.01, 371, 254, 461, 465,  
52/471, 472; 160/395, 368.1  
CPC ..... E04F 19/065; E04F 19/064; E04F 19/062;  
E04F 19/022; E04F 19/061  
See application file for complete search history.

D456,528 S *	4/2002	Maylon	.....	D25/121
D462,601 S *	9/2002	Chaney	.....	D25/119
D466,233 S *	11/2002	Krieger	.....	D25/121
D711,554 S *	8/2014	Singh	.....	D25/119
D742,547 S *	11/2015	Singh	.....	D25/119

**OTHER PUBLICATIONS**

Allura. "Allura\_Architectural-panels-EasyTrim\_Brochure",www.allurausa.com. Web. Sep. 26, 2016, shown in p. 1, Item EZ6-EZ7.\*  
EasyTrim. "Panel Trim Series.", www.easytrimreveals.com. . Web. Sep. 26, 2016. shown in p. 10, Item EZ6.\*

\* cited by examiner

*Primary Examiner* — Cynthia Ramirez

*Assistant Examiner* — Gino Colan

(74) *Attorney, Agent, or Firm* — Tai W. Nahm; Miller Thomson LLP

(57) **CLAIM**

The ornamental design for a trim reveal extrusion, as shown.

**DESCRIPTION**

FIG. 1 illustrates a perspective view showing my new design; and,

FIG. 2 is an end elevational view thereof.

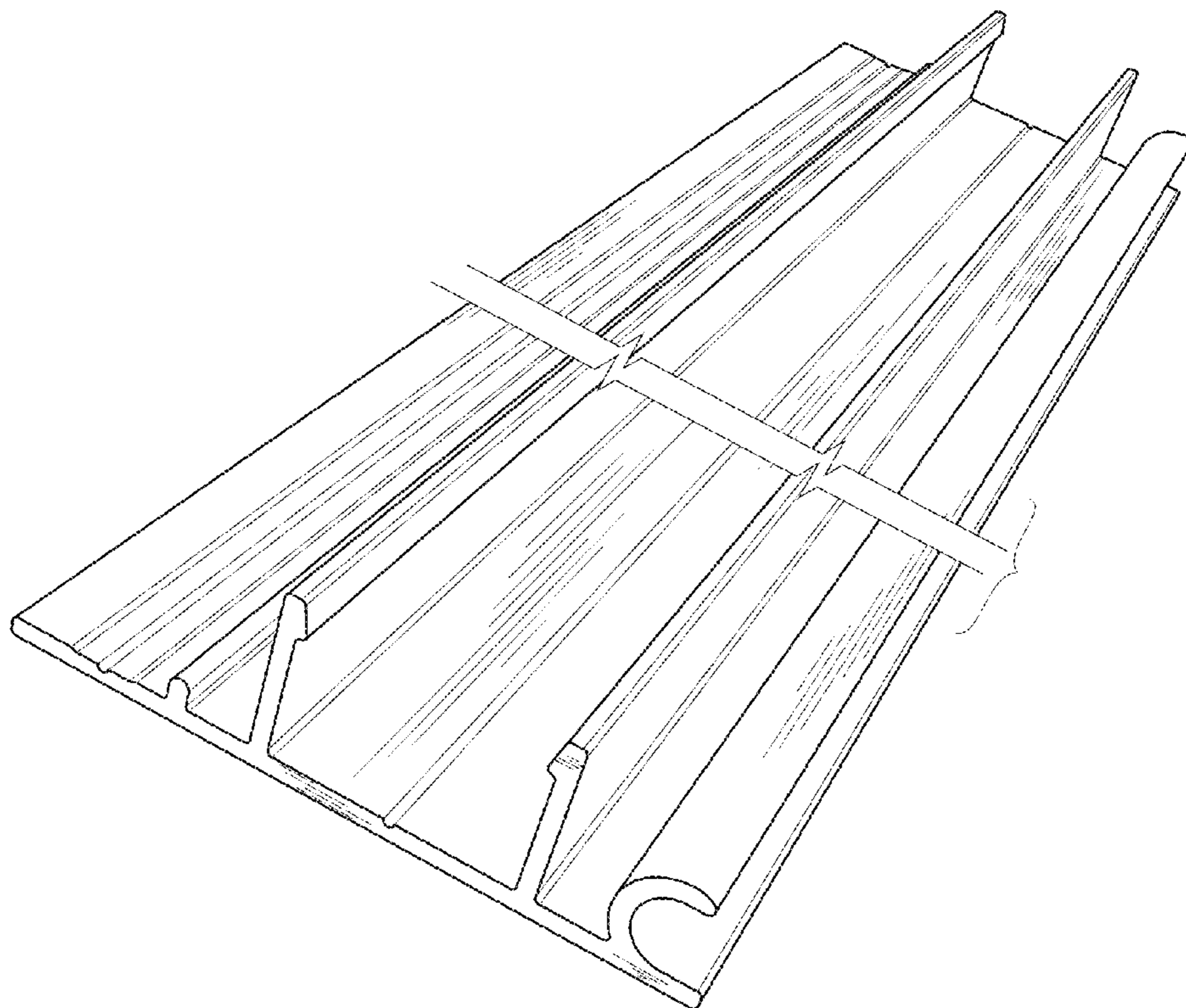
The trim reveal extrusion is shown with a symbolic break at its length. The appearance of any portion of the article between the break lines forms no part of the claimed design.

**1 Claim, 1 Drawing Sheet**

(56) **References Cited**

**U.S. PATENT DOCUMENTS**

D162,842 S *	4/1951	Klein	.....	D25/119
D219,732 S *	1/1971	VanDenBroek	.....	D25/125
D352,790 S *	11/1994	Gullblom	.....	D25/121



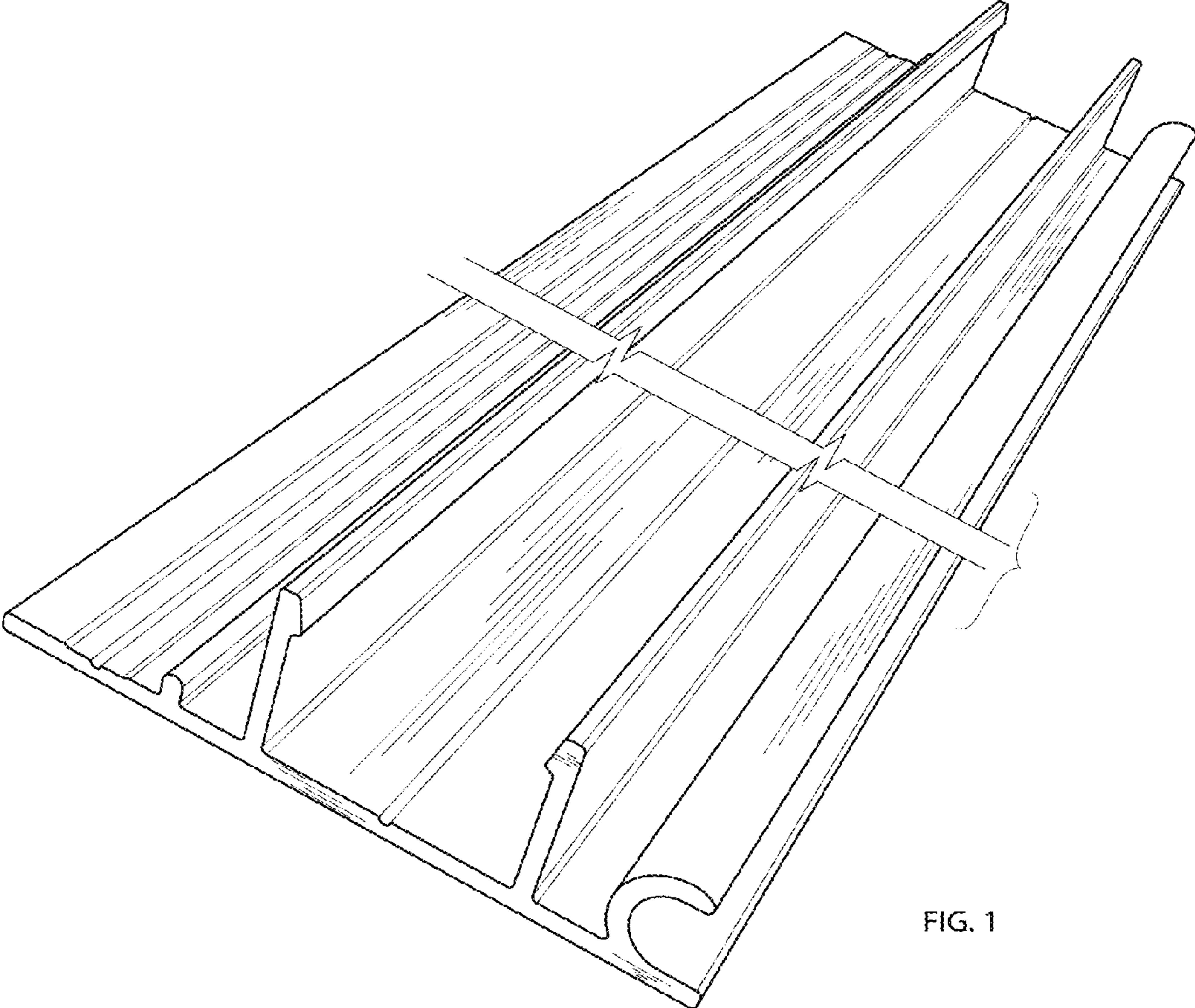


FIG. 1

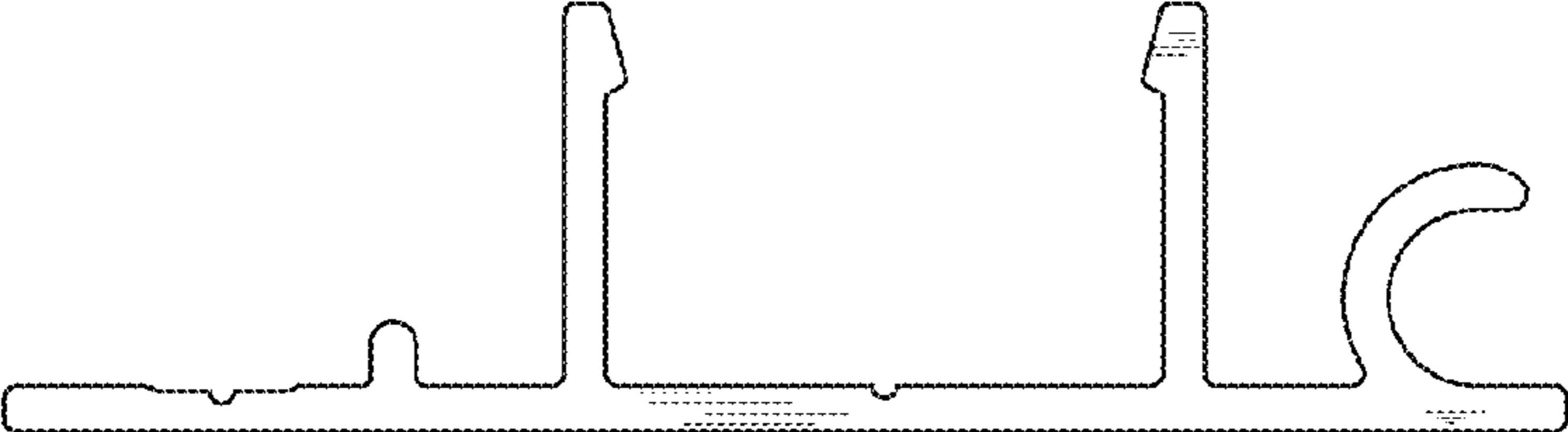


FIG. 2