



US00D787090S

(12) **United States Design Patent** (10) **Patent No.:** **US D787,090 S**
Mowers et al. (45) **Date of Patent:** **** May 16, 2017**

(54) **TRANSITION FOR VINYL TILE AND CARPET TILE**

(71) Applicant: **Tarkett USA Inc.**, Solon, OH (US)

(72) Inventors: **Terrance Arthur Mowers**,
Chattanooga, TN (US); **Curt Johnston**,
Chagrin Falls, OH (US)

(73) Assignee: **Tarkett USA Inc.**, Solon, OH (US)

(**) Term: **14 Years**

(21) Appl. No.: **29/510,046**

(22) Filed: **Nov. 24, 2014**

(51) **LOC (10) Cl.** **25-01**

(52) **U.S. Cl.**
USPC **D25/119**

(58) **Field of Classification Search**

USPC D25/35, 38.1, 39, 40, 41.1, 42, 43, 44,
D25/48.3, 48.4, 58, 60, 61, 119-129, 132,
D25/135, 136; 52/204.1, 204.5, 208, 210,
52/211-213, 287.1, 290, 292-297, 302.1,
52/416, 417, 419, 420, 459, 461, 464,
52/465, 468-471, 717.01-717.06,
52/718.01-718.04; D8/323, 349,
D8/354-355, 366, 367, 373-375, 380,
D8/381, 386, 400-403; 16/4, 7, 9, 11,
16/13, 14, 16; 277/411; 49/411, 462,
49/467; 248/345.1; 267/136, 139, 140;
D15/89
CPC E04B 1/00; E04B 1/32; E04B 1/38; E04B
2/00; E04B 2/74; E04B 7/00; E04B 9/00;
E04C 3/30; E04C 2/40

See application file for complete search history.

(56) **References Cited**

U.S. PATENT DOCUMENTS

1,722,660 A 7/1929 Connelly
1,936,224 A 11/1933 Awbrey
D103,486 S * 3/1937 Bonnell D25/119
D103,487 S * 3/1937 Bonnell D25/119

(Continued)

OTHER PUBLICATIONS

Tarkett/Johnsonite 2012 product brochure: The Ultimate Flooring Experience, Slim Line Transitions, p. Solve for X | 9.177, with front and back covers.

Primary Examiner — Cynthia Ramirez

Assistant Examiner — Llorellys Martinez-Rivera

(74) *Attorney, Agent, or Firm* — Walter | Haverfield LLP;
D. Peter Hochberg; Sean F. Mellino

(57) **CLAIM**

The ornamental design for a transition for vinyl tile and carpet tile, as shown and described.

DESCRIPTION

FIG. 1 is a front perspective view of a first embodiment of a transition for vinyl tile and carpet tile showing our new design;

FIG. 2 is top plan view thereof;

FIG. 3 is a front elevation view thereof;

FIG. 4 is a side elevation view thereof;

FIG. 5 is a rear elevation view thereof;

FIG. 6 is a bottom plan view thereof;

FIG. 7 is an opposite side elevation view of FIG. 4;

FIG. 8 is a perspective view of a second embodiment of a transition for vinyl tile and carpet tile showing our new design;

FIG. 9 is a top plan view thereof;

FIG. 10 is a front elevation view thereof;

FIG. 11 is a side elevation view thereof;

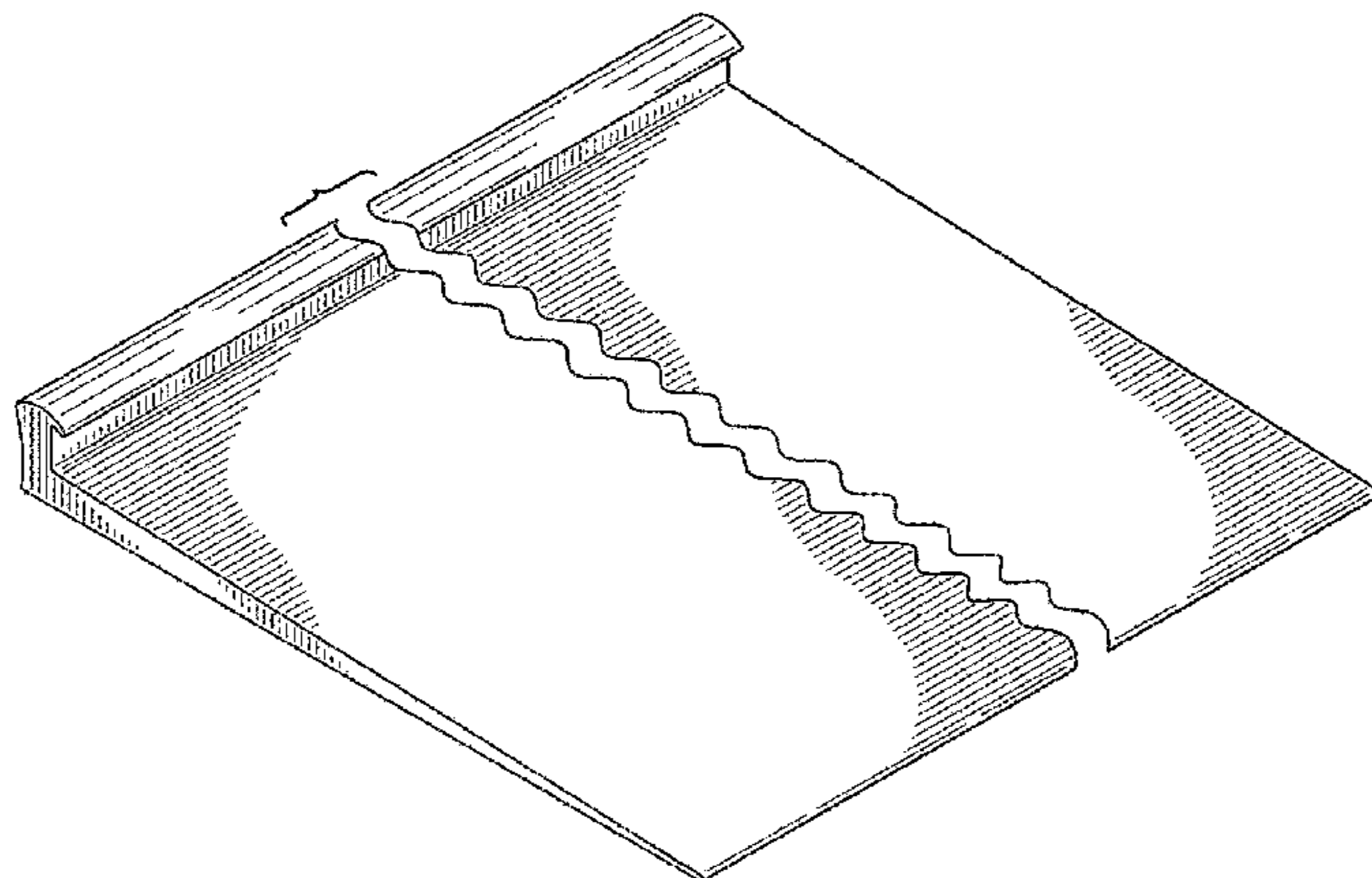
FIG. 12 is a rear elevation view thereof;

FIG. 13 is a bottom plan view thereof; and,

FIG. 14 is an opposite side elevation view of FIG. 11.

The transition for vinyl tile and carpet tile is shown with a symbolic break in its length. The appearance of any portion of the article between the break lines forms no part of the claimed design.

1 Claim, 6 Drawing Sheets



(56)

References Cited

U.S. PATENT DOCUMENTS

D128,793 S	8/1941	Bonnell	5,766,726 A	6/1998	Bannister	
2,258,314 A	10/1941	Bonnell	D416,632 S *	11/1999	Pelosi, Jr.	D25/136
2,820,980 A	1/1958	Karas	6,138,323 A	10/2000	Thøgersen	
2,926,378 A	3/1960	Eichhorn et al.	D448,493 S *	9/2001	Franson	D25/119
2,927,339 A	3/1960	Grunwald	6,550,192 B1	4/2003	Nelson et al.	
2,980,943 A	4/1961	Barnes et al.	D511,216 S *	11/2005	Folliard	D25/119
3,514,914 A	6/1970	Bergquist	D529,631 S *	10/2006	Folliard	D25/119
3,745,606 A	7/1973	Matthey	D529,632 S *	10/2006	Folliard	D25/119
5,212,923 A *	5/1993	Pelosi A47G 27/0456 52/287.1	D549,850 S *	8/2007	Perlman	D25/119
D340,534 S *	10/1993	McConnell D25/119	D561,916 S *	2/2008	Visintin	D25/119
D364,233 S	11/1995	Caley	D562,466 S *	2/2008	Visintin	D25/119
D364,234 S	11/1995	Caley	D563,568 S *	3/2008	Dunlap	D25/119
D368,969 S	4/1996	Davies	D570,501 S *	6/2008	Janesz	D25/119
D371,609 S *	7/1996	Pelosi D25/119	7,784,238 B2	8/2010	Bannister	
D372,546 S *	8/1996	Pelosi D25/138	D679,421 S *	4/2013	Nolan	D25/125
D392,055 S *	3/1998	Pelosi D25/136	8,844,231 B2	9/2014	Urban, Jr. et al.	
5,756,176 A	5/1998	Feld	D745,902 S *	12/2015	Choi	D15/89
			D747,370 S *	1/2016	Kim	D15/89
			D754,219 S *	4/2016	Lee	D15/89
			2005/0189723 A1	9/2005	Chassee	

* cited by examiner

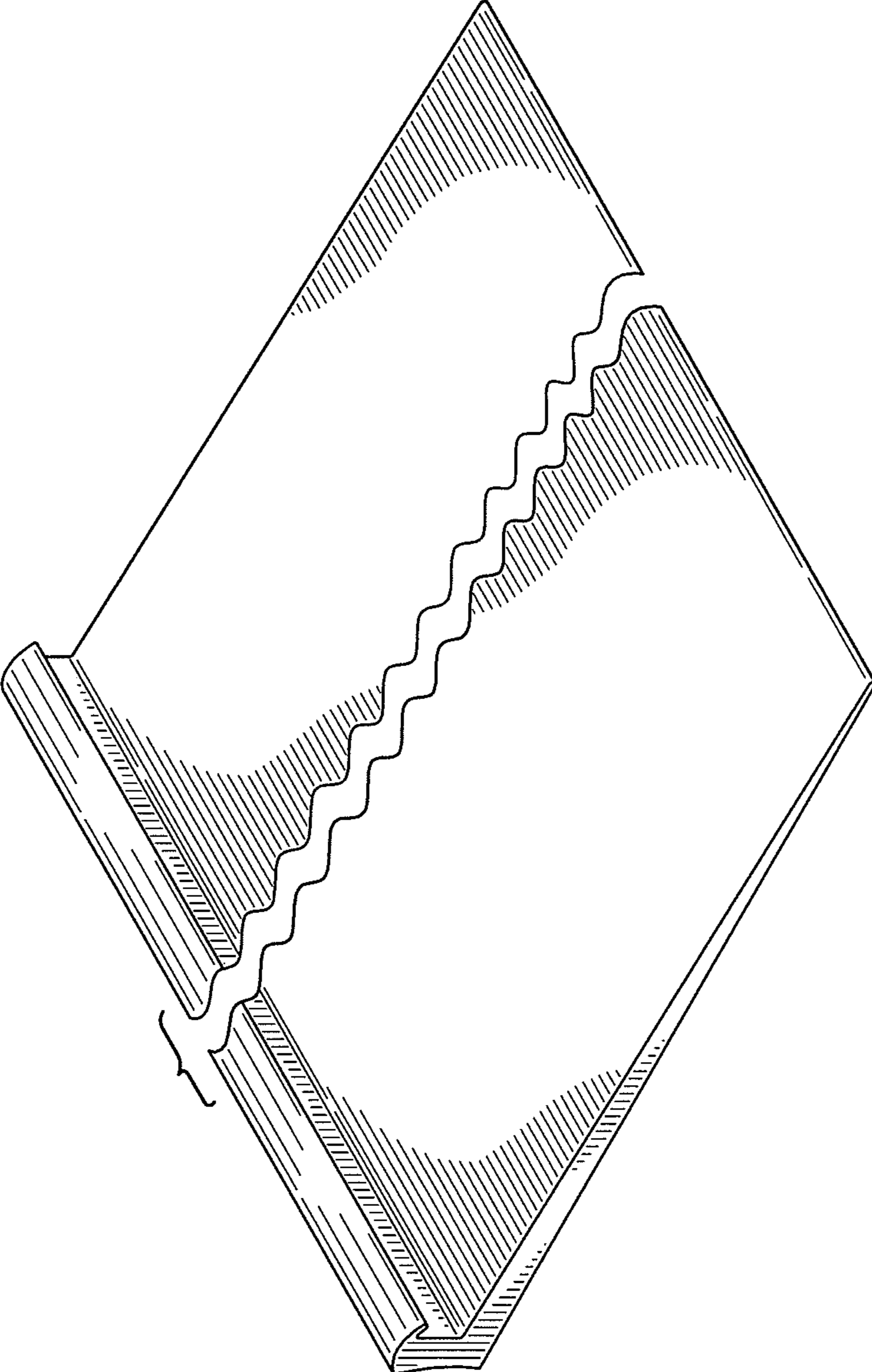


Fig. 1

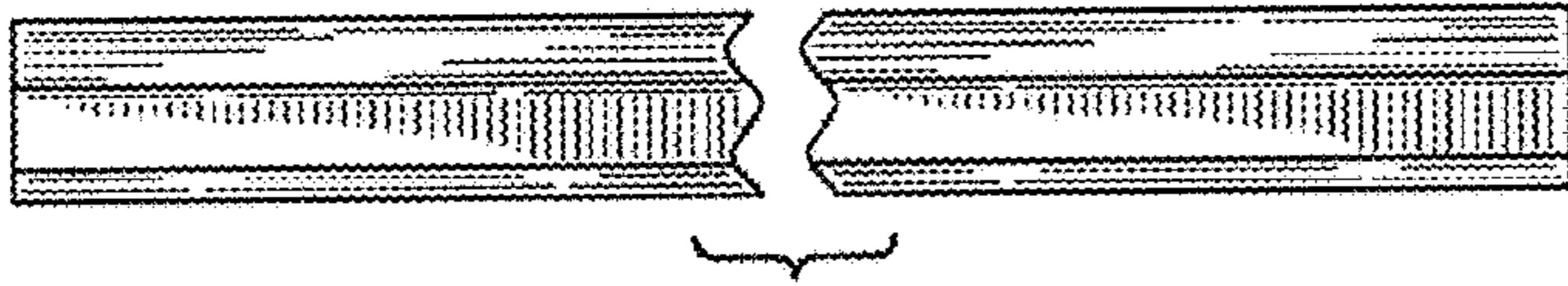


Fig. 3

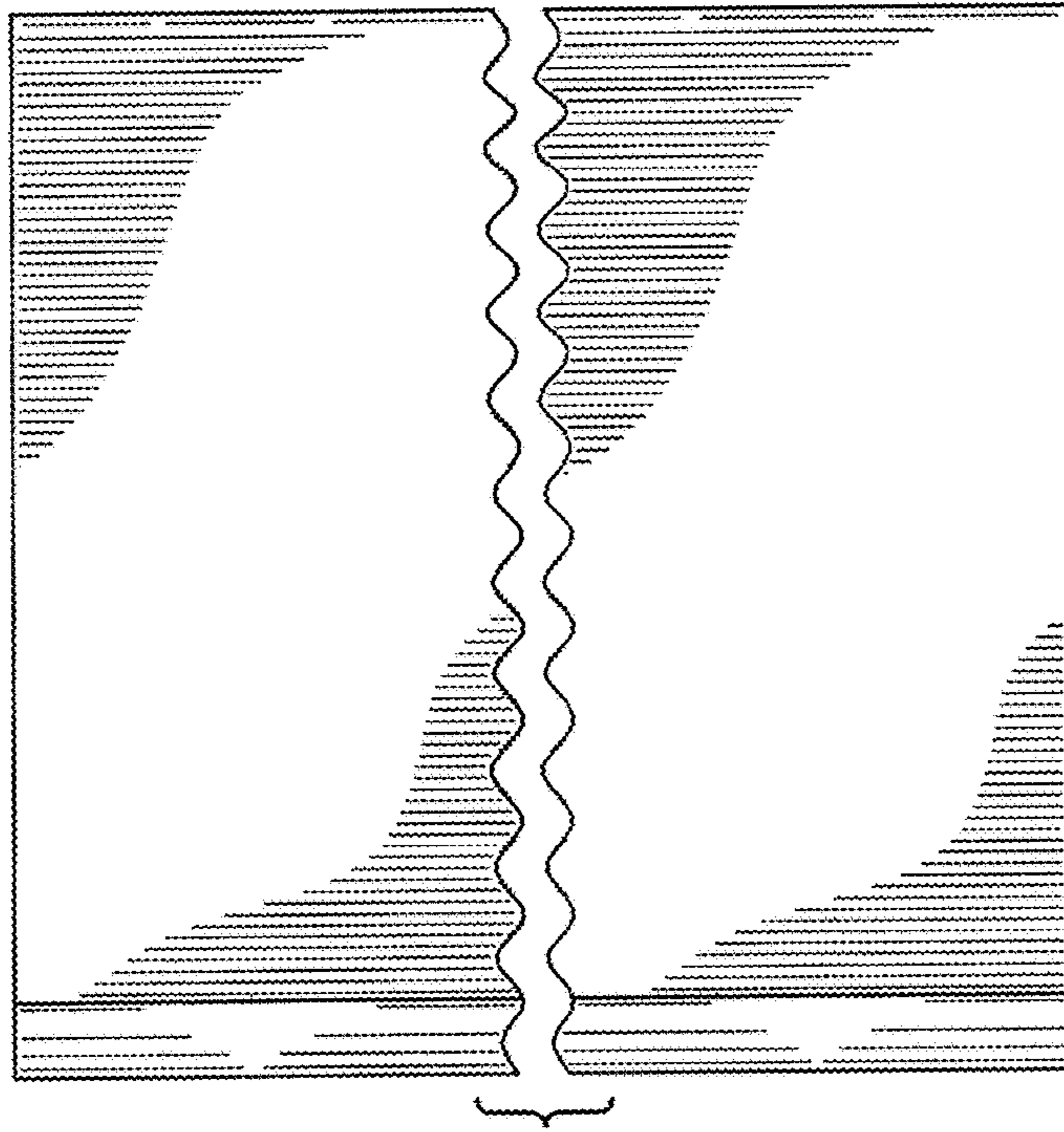


Fig. 2

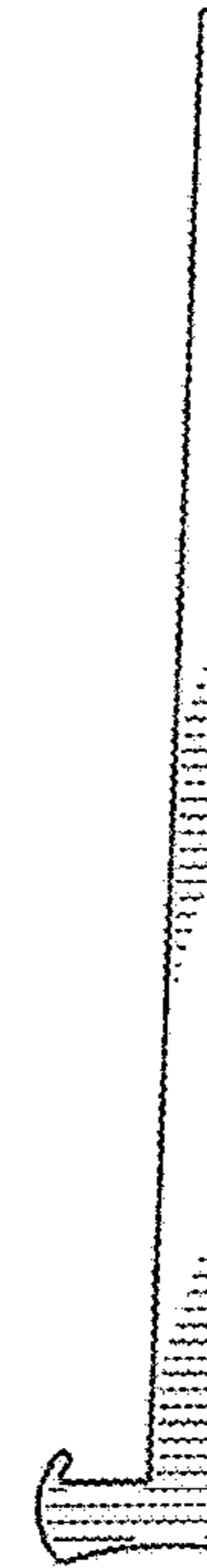


Fig. 4

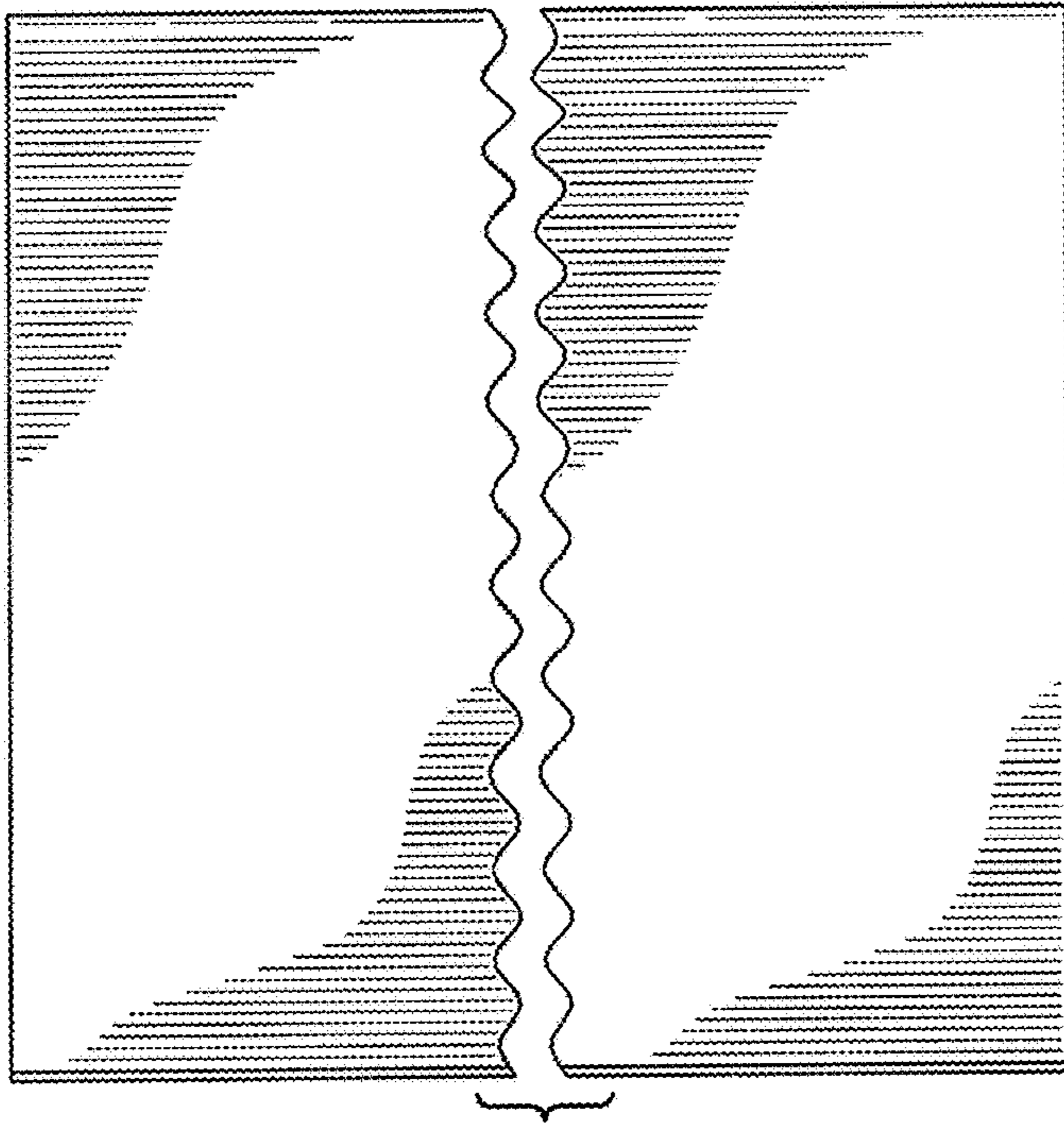


Fig. 6

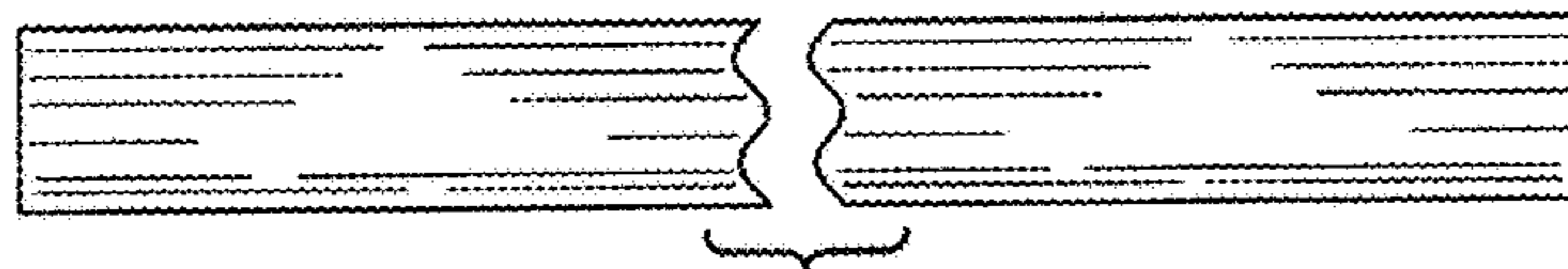


Fig. 5

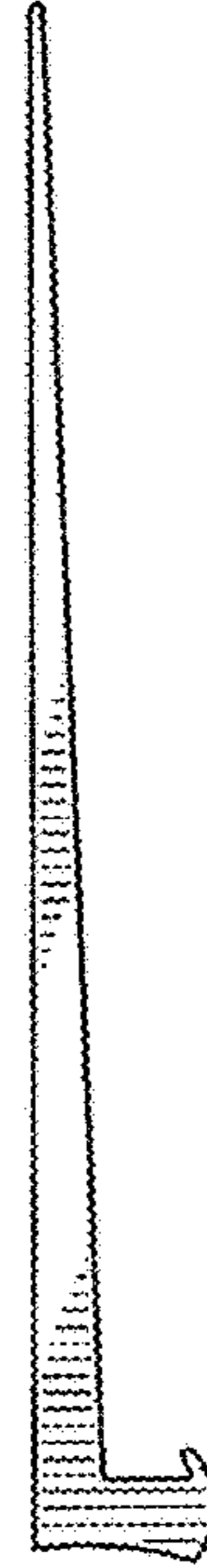


Fig. 7

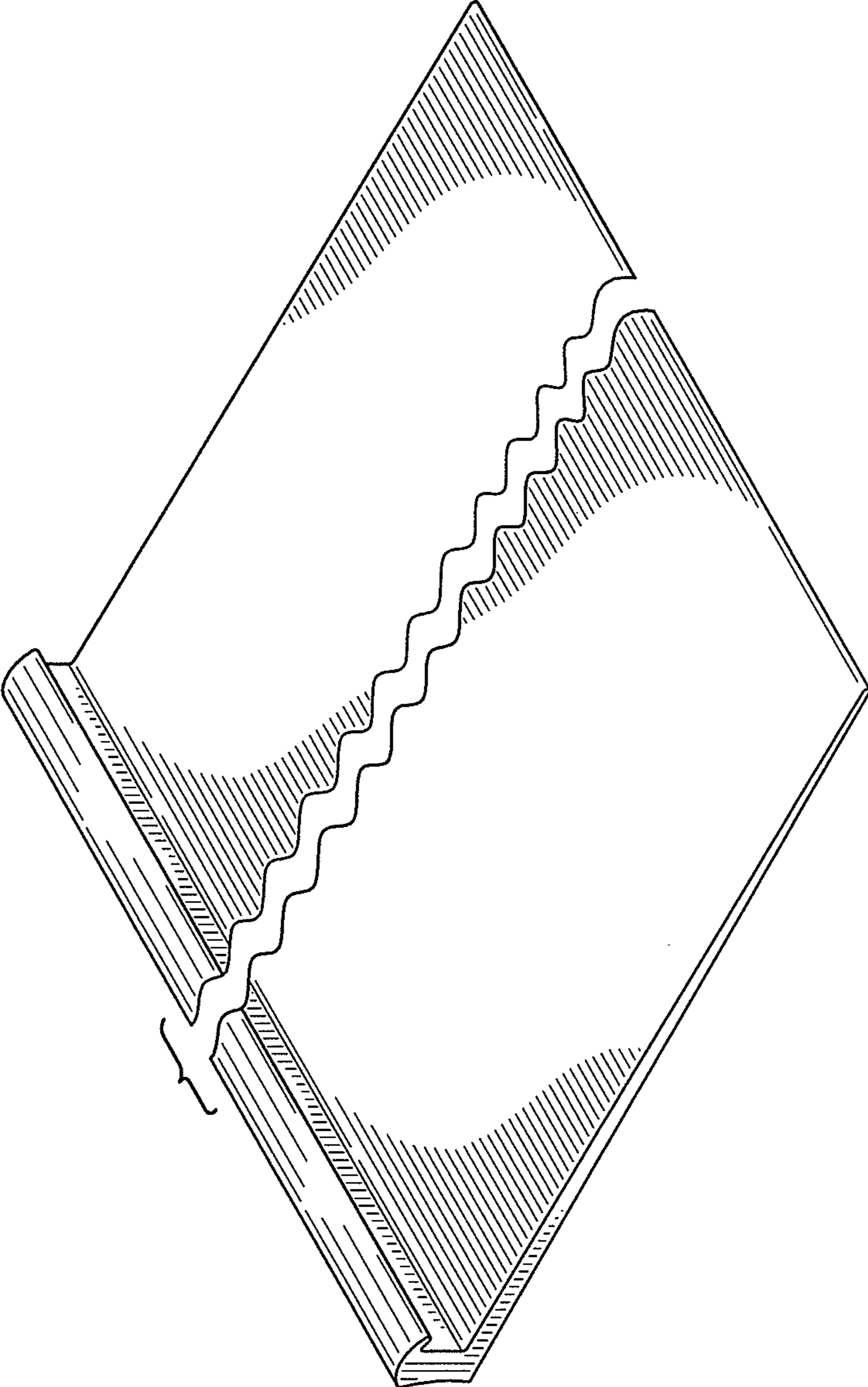


Fig. 8

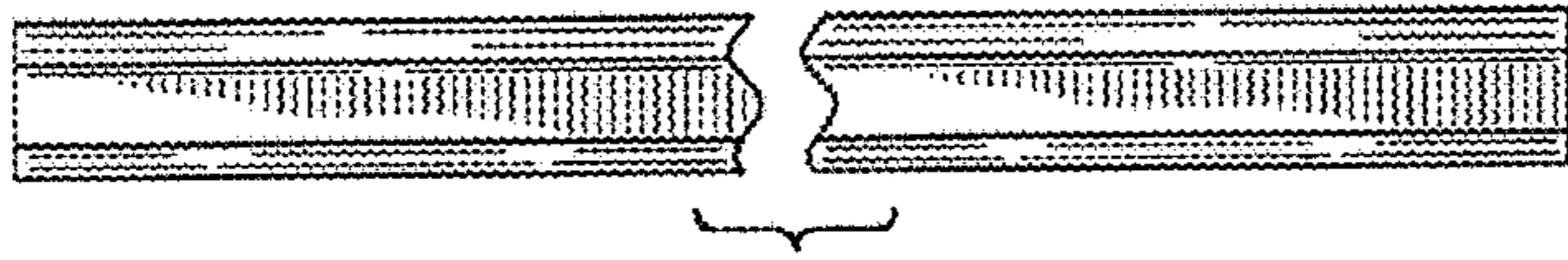


Fig. 10

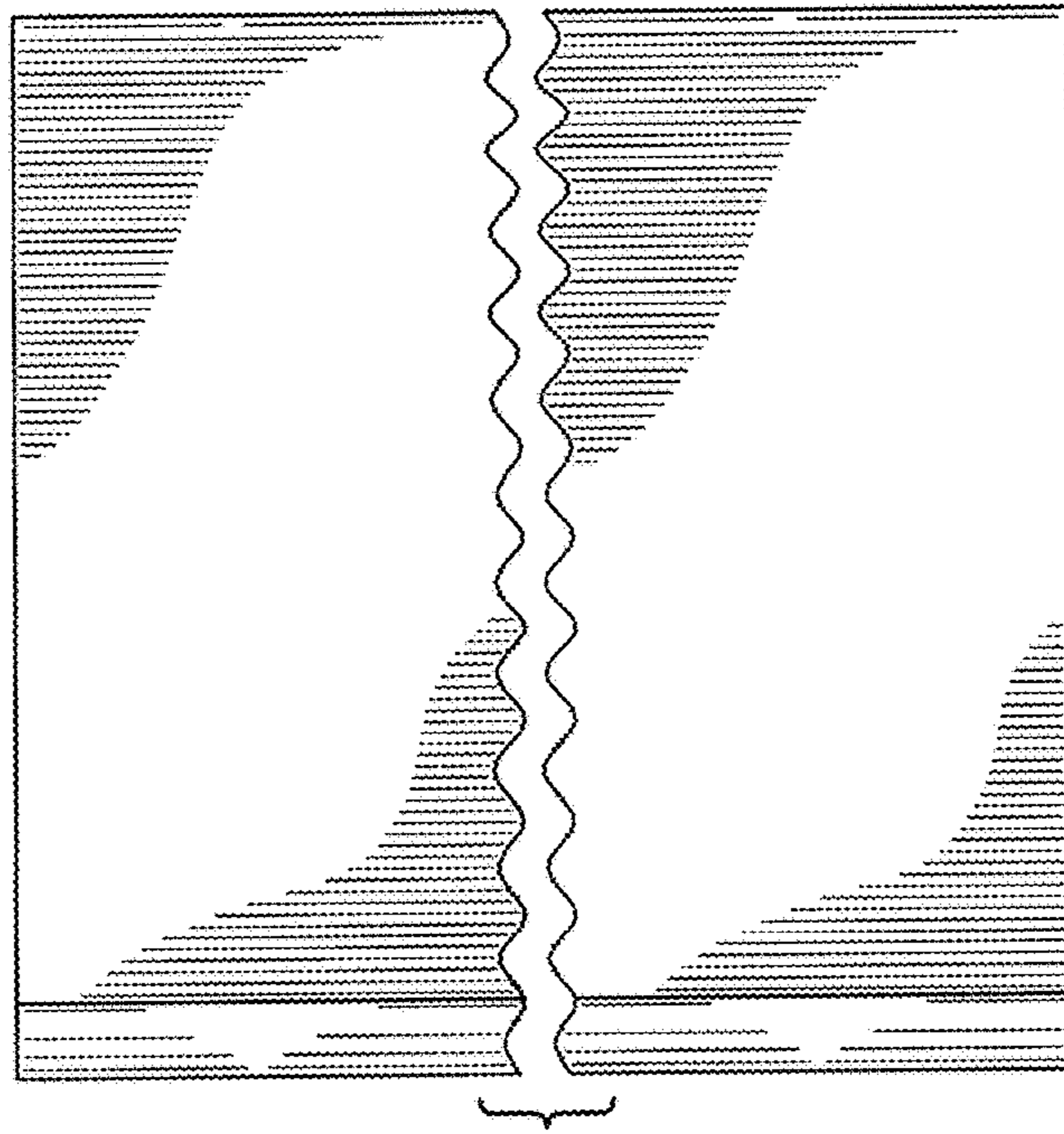


Fig. 9



Fig. 11

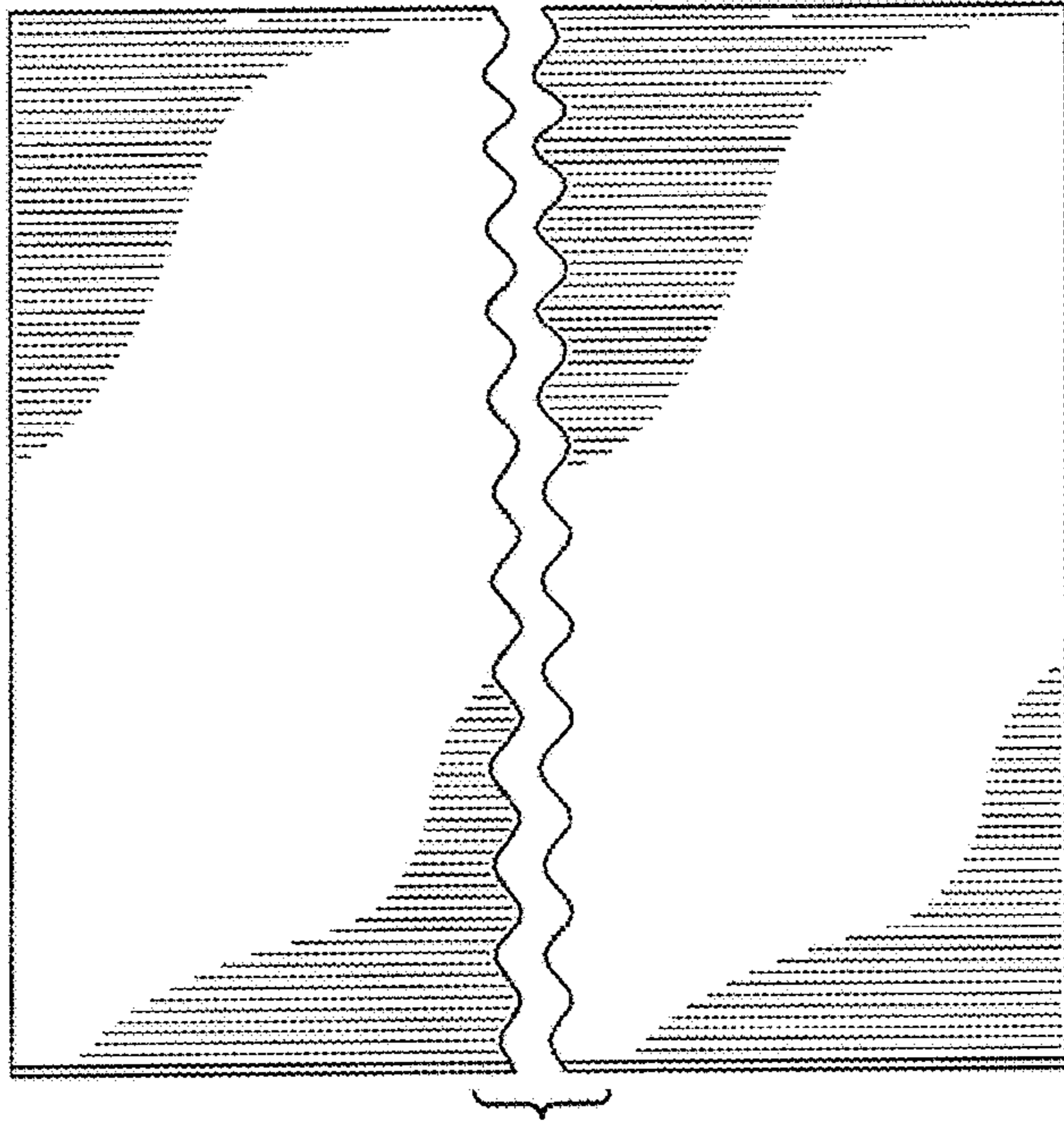


Fig. 12

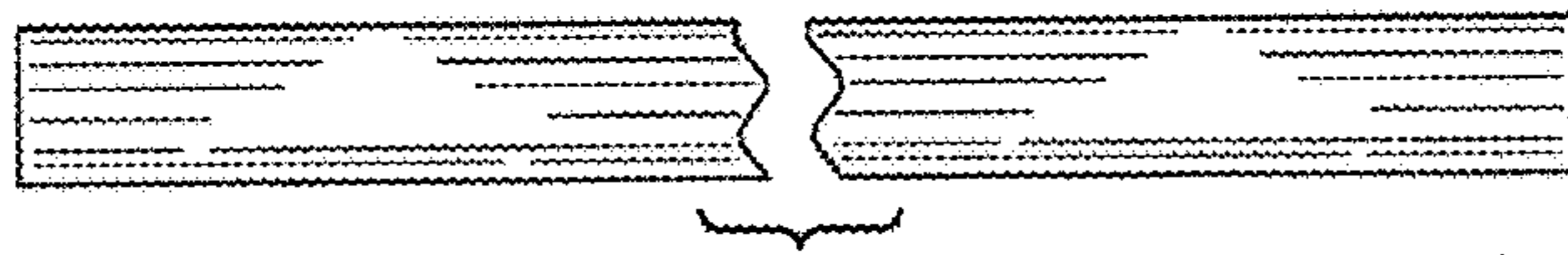


Fig. 13

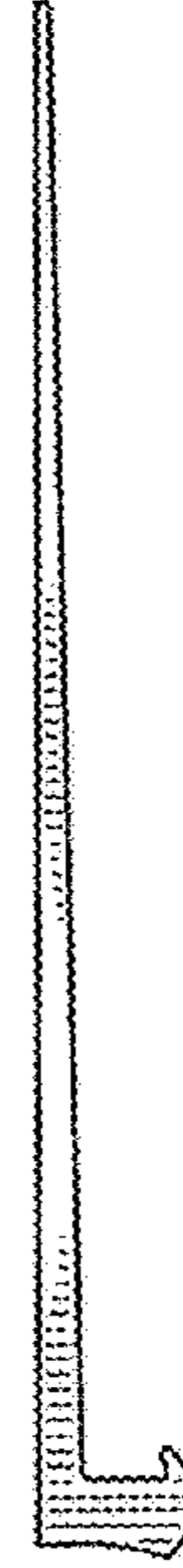


Fig. 14