



US00D787088S

(12) **United States Design Patent** (10) **Patent No.:** **US D787,088 S**
Snyder et al. (45) **Date of Patent:** **** May 16, 2017**

- (54) **FLUID FLOW SINKER AND FLUID FLOW SINKER ASSEMBLY**
- (71) Applicant: **SAINT-GOBAIN PERFORMANCE PLASTICS CORPORATION**, Aurora, OH (US)
- (72) Inventors: **Mitchell L. Snyder**, Hope, MI (US); **Thomas R. Nixon**, Au Gres, MI (US)
- (73) Assignee: **SAINT-GOBAIN PERFORMANCE PLASTICS CORPORATION**, Solon, OH (US)
- (**) Term: **15 Years**
- (21) Appl. No.: **29/549,314**
- (22) Filed: **Dec. 21, 2015**

Related U.S. Application Data

- (62) Division of application No. 29/493,647, filed on Jun. 11, 2014, now Pat. No. Des. 749,749.
- (51) **LOC (10) Cl.** **24-99**
- (52) **U.S. Cl.**
USPC **D24/232**
- (58) **Field of Classification Search**
USPC D24/176-178, 108, 112, 231-232;
D7/300.2; D23/258

(Continued)

References Cited

U.S. PATENT DOCUMENTS

1,581,508 A 4/1926 Bomhard
RE26,470 E 10/1968 Deuschle et al.

(Continued)

FOREIGN PATENT DOCUMENTS

EP 1477194 A2 11/2004
EP 1253863 B1 9/2007

(Continued)

OTHER PUBLICATIONS

International Search Report from PCT/US2015/027499 mailed Aug. 7, 2015, 1 page.

Primary Examiner — Wan Laymon

(74) *Attorney, Agent, or Firm* — Chi S. Kim; Abel Law Group, LLP

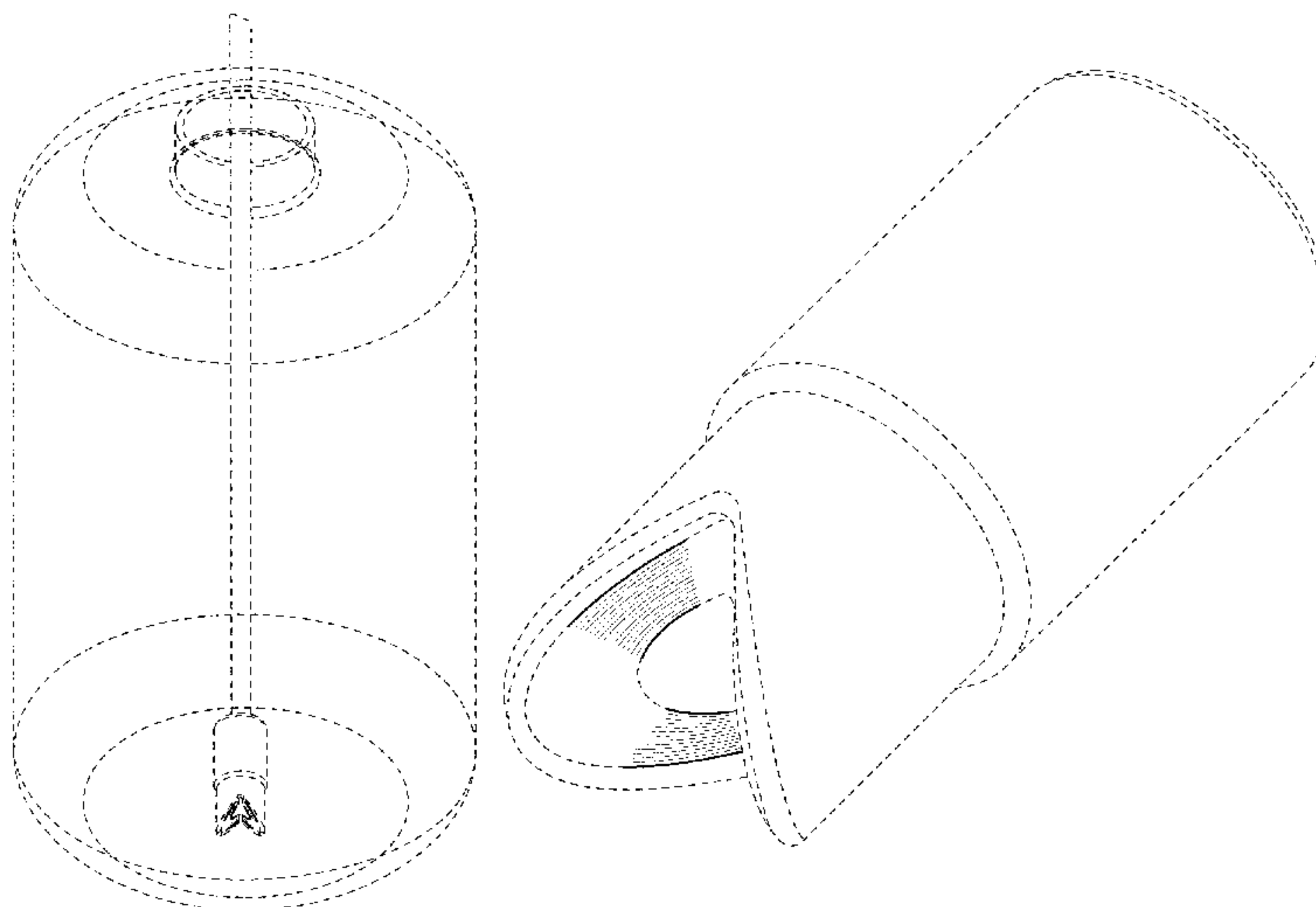
(57) **CLAIM**

The ornamental design for a fluid flow sinker and a fluid flow sinker assembly, as shown and described.

DESCRIPTION

FIG. 1 is a bottom perspective view of the fluid flow sinker and fluid flow sinker assembly with the fluid flow sinker assembly removed for ease of illustration; FIG. 2 is a side elevation view thereof, the opposite side being a mirror image; FIG. 3 is a side elevation view thereof, the opposite side being a mirror image; FIG. 4 is a top elevation view thereof; FIG. 5 is a bottom elevation view thereof; FIG. 6 is a bottom elevation view of an alternate fluid flow sinker; FIG. 7 is a bottom perspective view of the fluid flow sinker and fluid flow sinker assembly; FIG. 8 is a side elevation view thereof, the opposite side being a mirror image; FIG. 9 is a top elevation view thereof; FIG. 10 is a bottom elevation view thereof; and, FIG. 11 is a side perspective view of FIG. 1. The broken lines shown in the figures are included for the purpose of illustrating portions of the fluid flow sinker and fluid flow sinker assembly and form no part of the claimed design.

1 Claim, 9 Drawing Sheets



(58) **Field of Classification Search**

CPC A61C 17/043; A61C 17/0208; A61C 17/0202; A61C 17/046; A61C 1/0061; A61C 1/0084; A61C 1/052; Y10S 604/902; A61M 1/008; A61M 1/0023; A61M 3/0279; A61M 3/0258; B05B 15/006; B05B 15/005; B05B 11/0059

See application file for complete search history.

6,779,693	B2	8/2004	Sweeton et al.
6,821,118	B2	11/2004	Schlüssel
6,969,046	B2	11/2005	Streutker et al.
7,240,810	B2	7/2007	Harrity et al.
7,335,023	B2	2/2008	Mahlmann
7,377,780	B2	5/2008	White et al.
7,500,584	B2 *	3/2009	Schutz B05B 15/005 15/22.1

7,648,083	B2	1/2010	Hornsby et al.
7,942,873	B2	5/2011	Kwan et al.
8,191,740	B2	6/2012	Hoss et al.
D692,143	S	10/2013	Bonjar
8,545,401	B2	10/2013	Hajarian et al.
8,603,049	B2	12/2013	Morris et al.
8,870,568	B1	10/2014	Ream
9,138,109	B1 *	9/2015	Leon B05B 15/005
D741,495	S	10/2015	Snyder et al.
D749,749	S	2/2016	Snyder et al.
9,248,463	B2 *	2/2016	Anzalone B05B 15/005
2003/0134254	A1	7/2003	Filho
2006/0088800	A1	4/2006	Neff et al.
2006/0259014	A1	11/2006	Yarger
2008/0145815	A1	6/2008	Hershey et al.
2012/0001112	A1	1/2012	Alkemade et al.
2015/0306619	A1	10/2015	Snyder et al.

(56) **References Cited**

U.S. PATENT DOCUMENTS

3,541,583	A	11/1970	Deuschle
4,273,272	A *	6/1981	Blanc B05B 11/0059 222/464.4
4,537,334	A	8/1985	Spengler et al.
5,114,342	A	5/1992	Young et al.
5,215,227	A	6/1993	Farner
5,217,044	A	6/1993	Schulte
D379,854	S	6/1997	Hirsch et al.
5,690,487	A	11/1997	Whitehouse et al.
5,743,736	A	4/1998	Folko et al.
5,769,284	A	6/1998	Vargas et al.
5,839,620	A	11/1998	Battegazzore
5,931,670	A	8/1999	Davis
6,027,041	A	2/2000	Evans
6,156,004	A	12/2000	Tremaine et al.
6,183,254	B1	2/2001	Cohen
6,193,101	B1	2/2001	Murphy et al.
6,290,265	B1	9/2001	Warburton-Pitt et al.
6,375,092	B1	4/2002	Banach
6,602,072	B2	8/2003	Burney

FOREIGN PATENT DOCUMENTS

JP	H11180481	A	7/1999
JP	2002019862	A	1/2002
JP	2005145457	A	6/2005
WO	2013063457	A1	5/2013
WO	2015164729	A1	10/2015

* cited by examiner

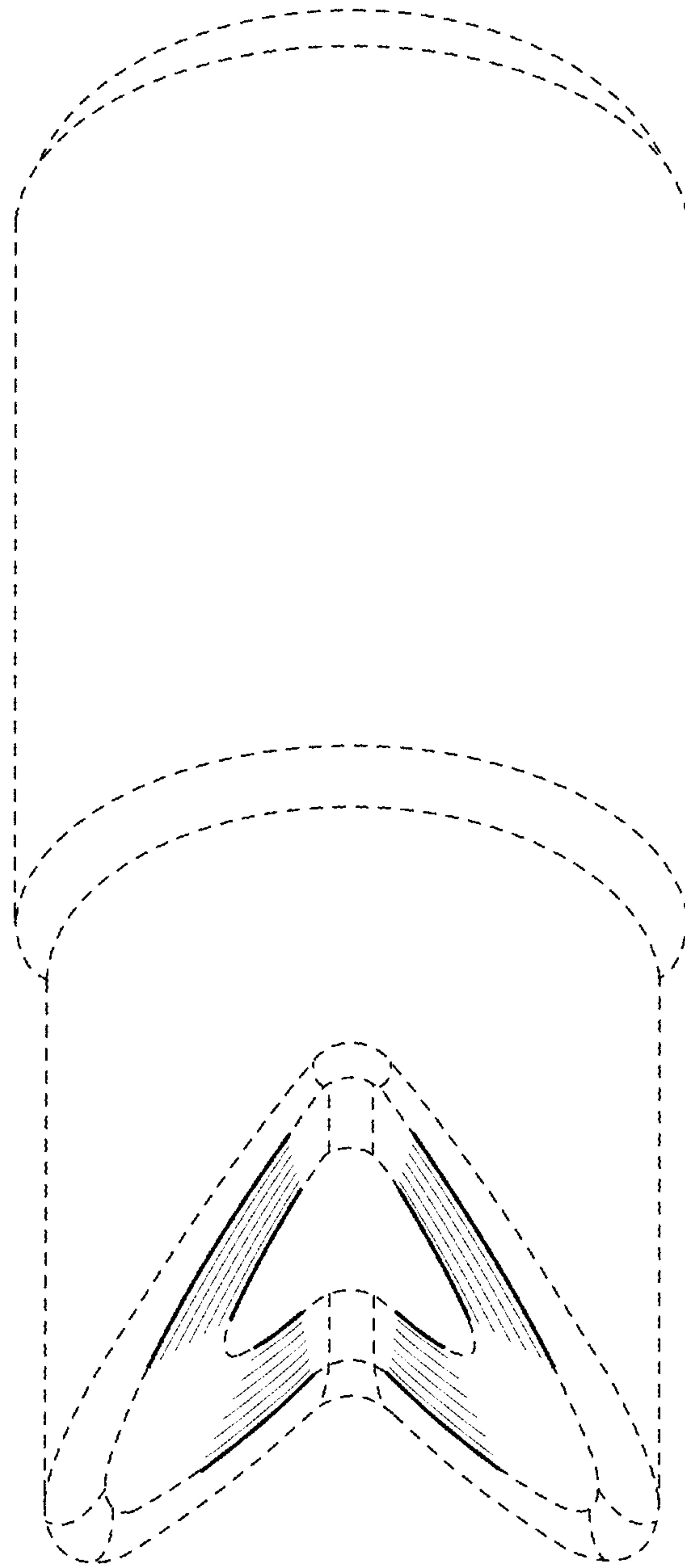


FIG. 1

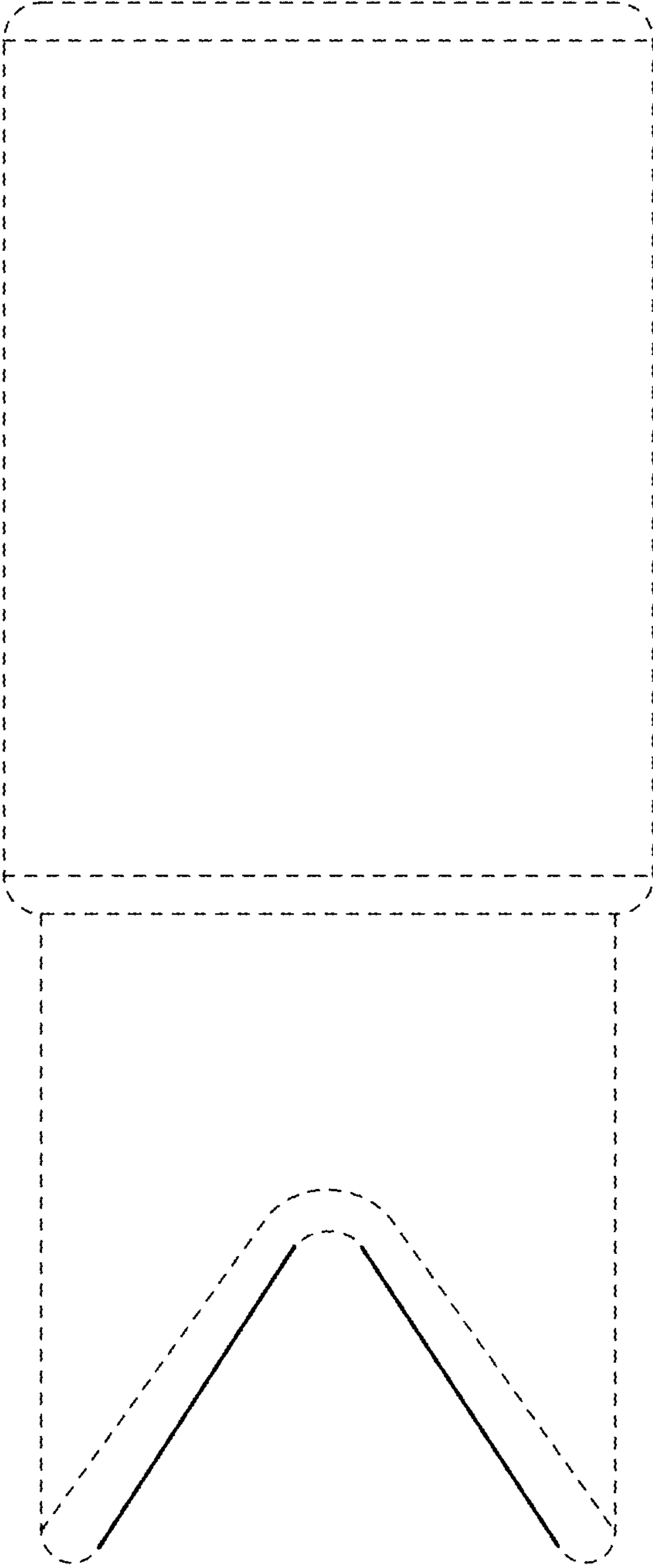


FIG. 2

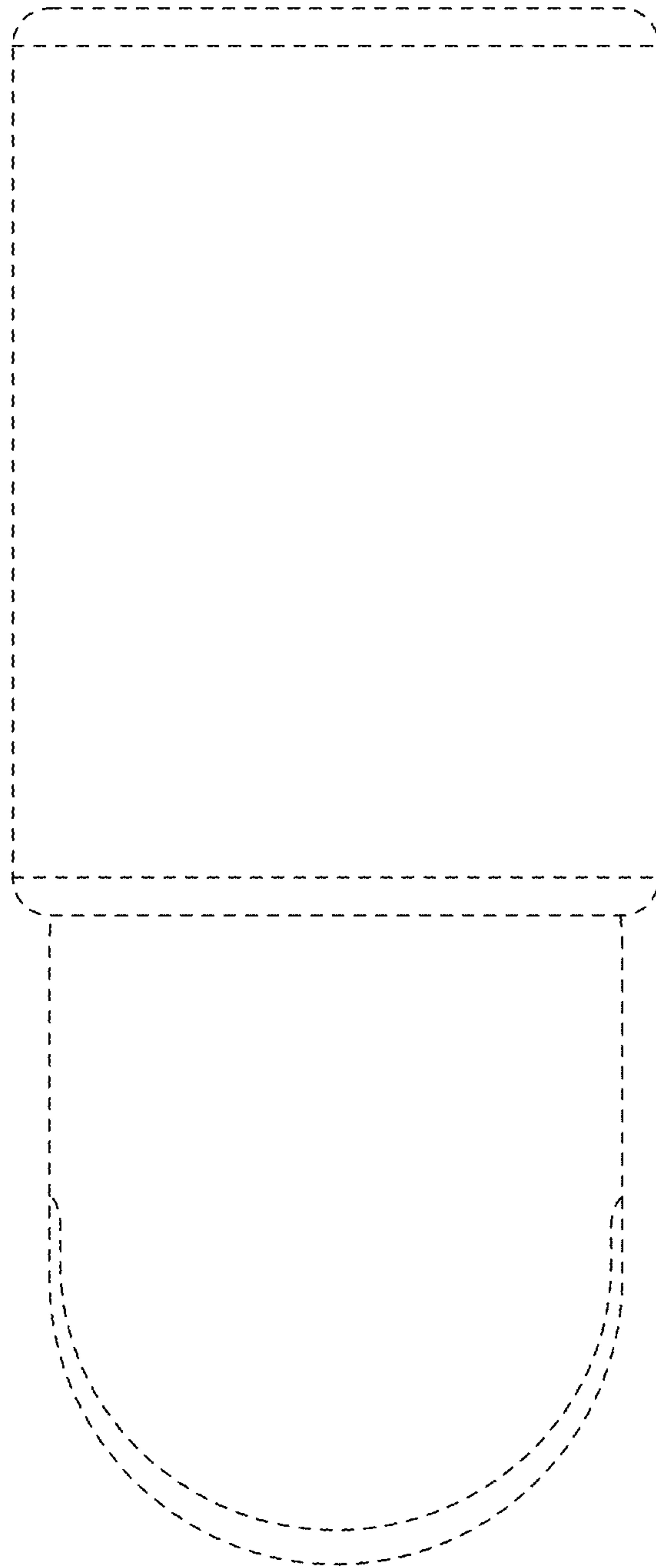


FIG. 3

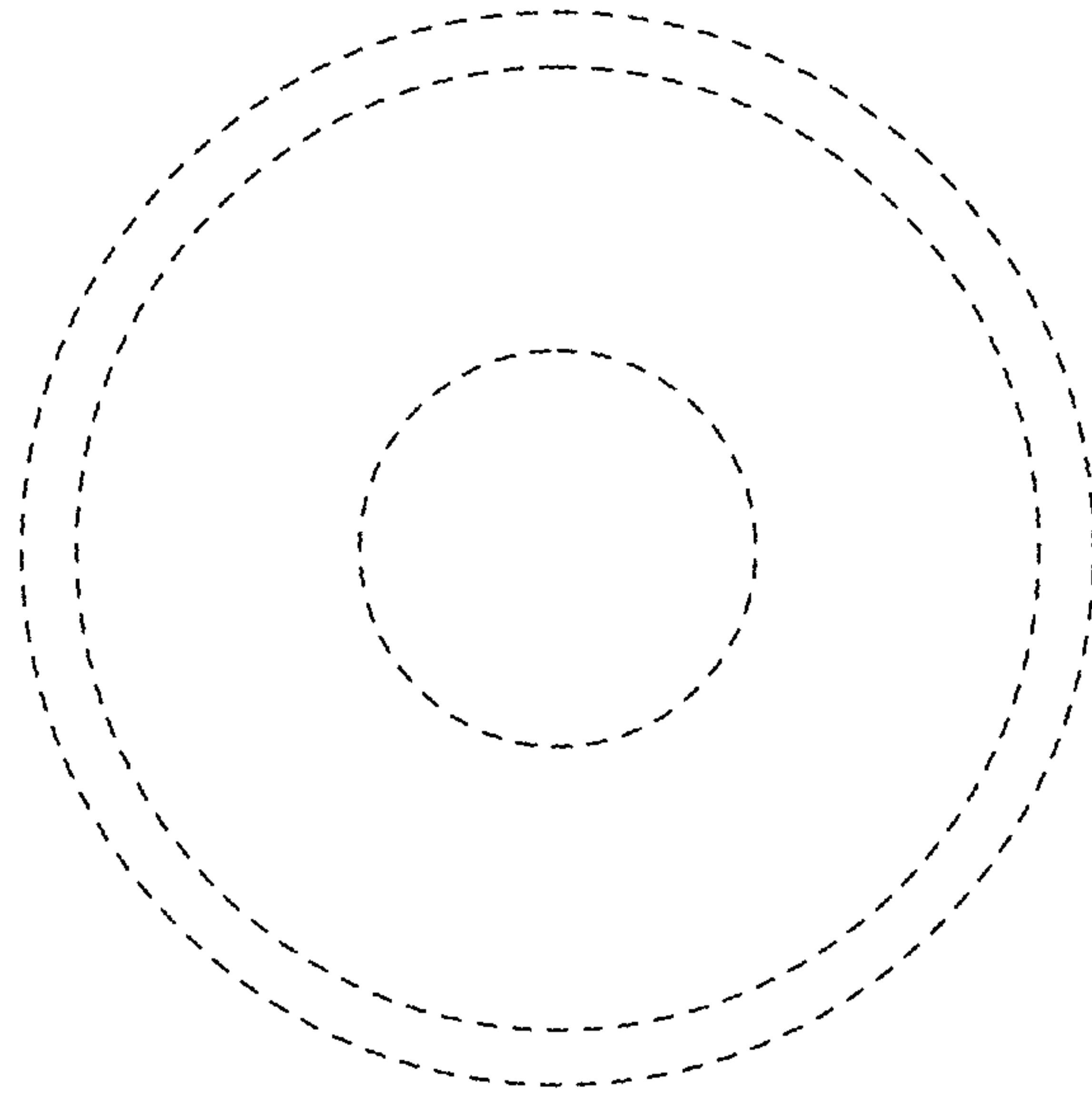


FIG. 4

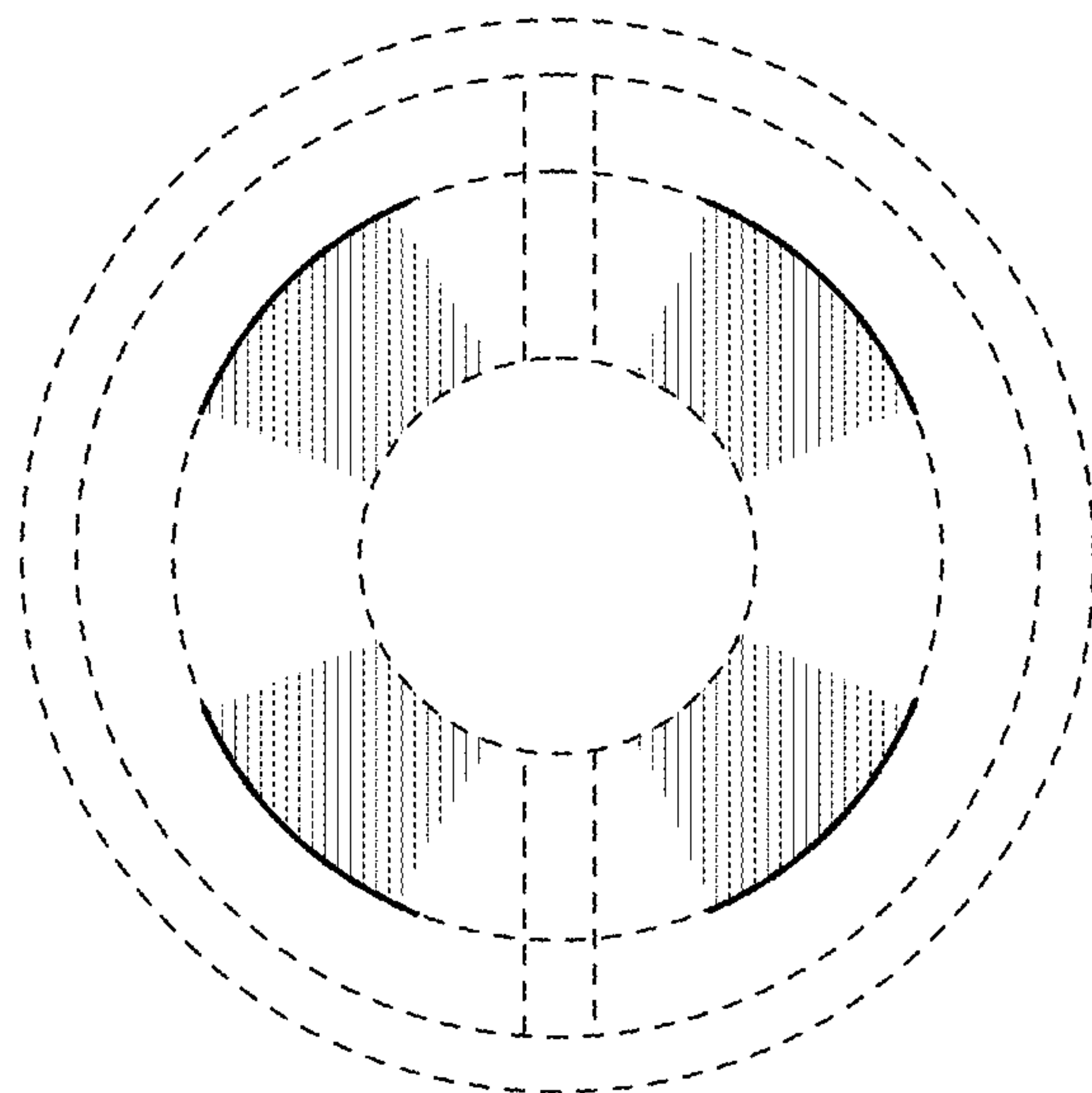


FIG. 5

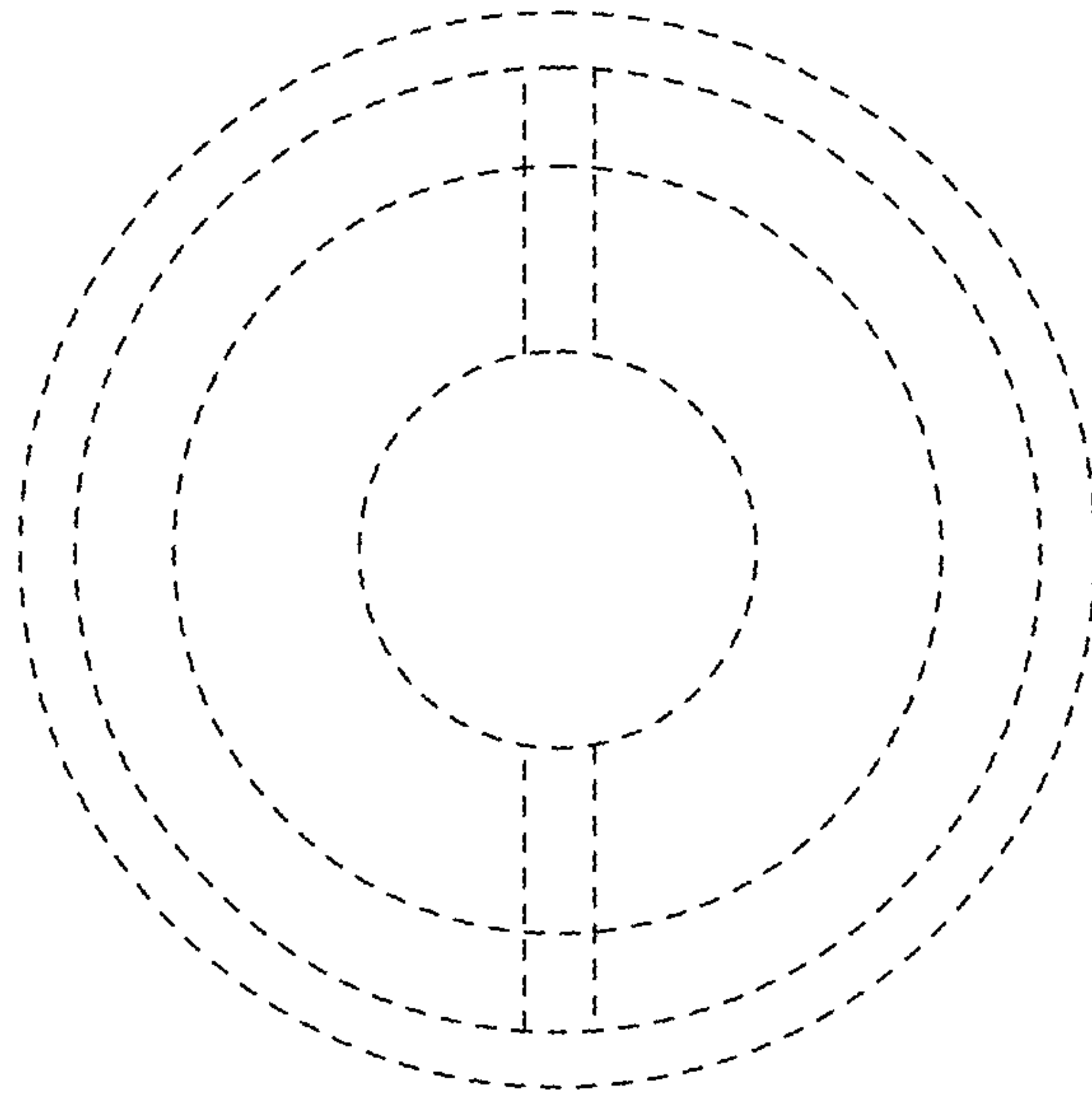


FIG. 6

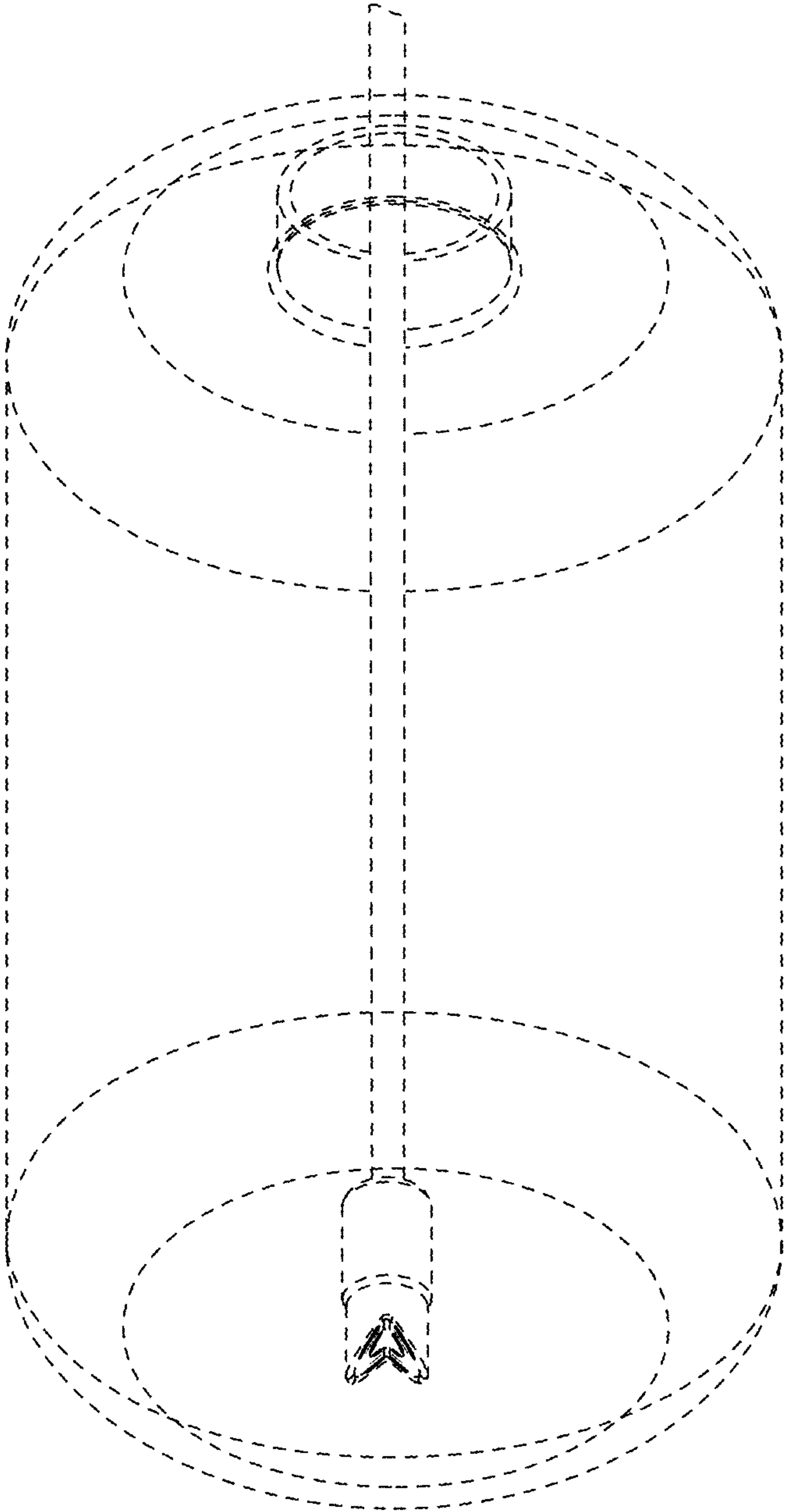


FIG. 7

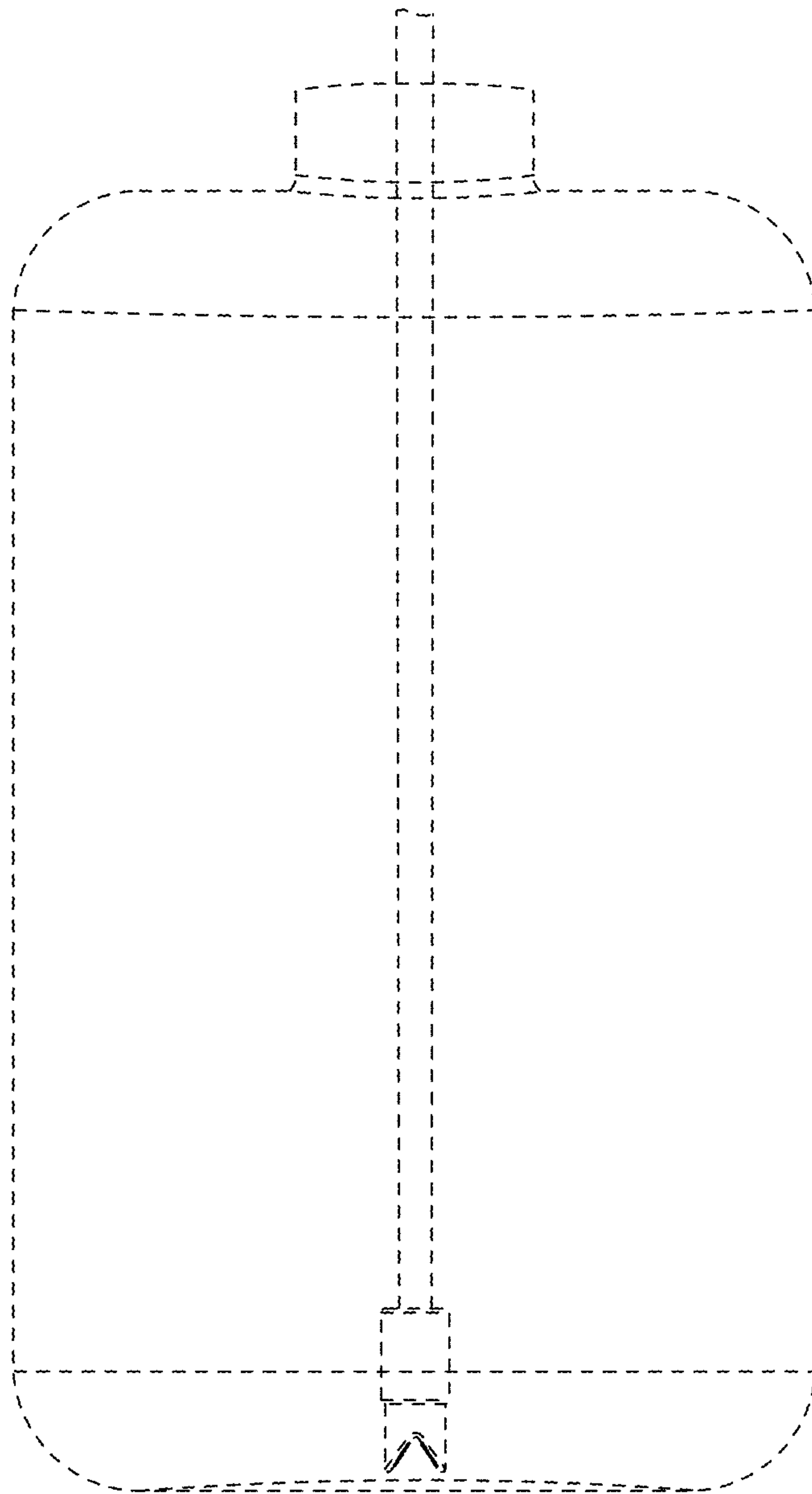


FIG. 8

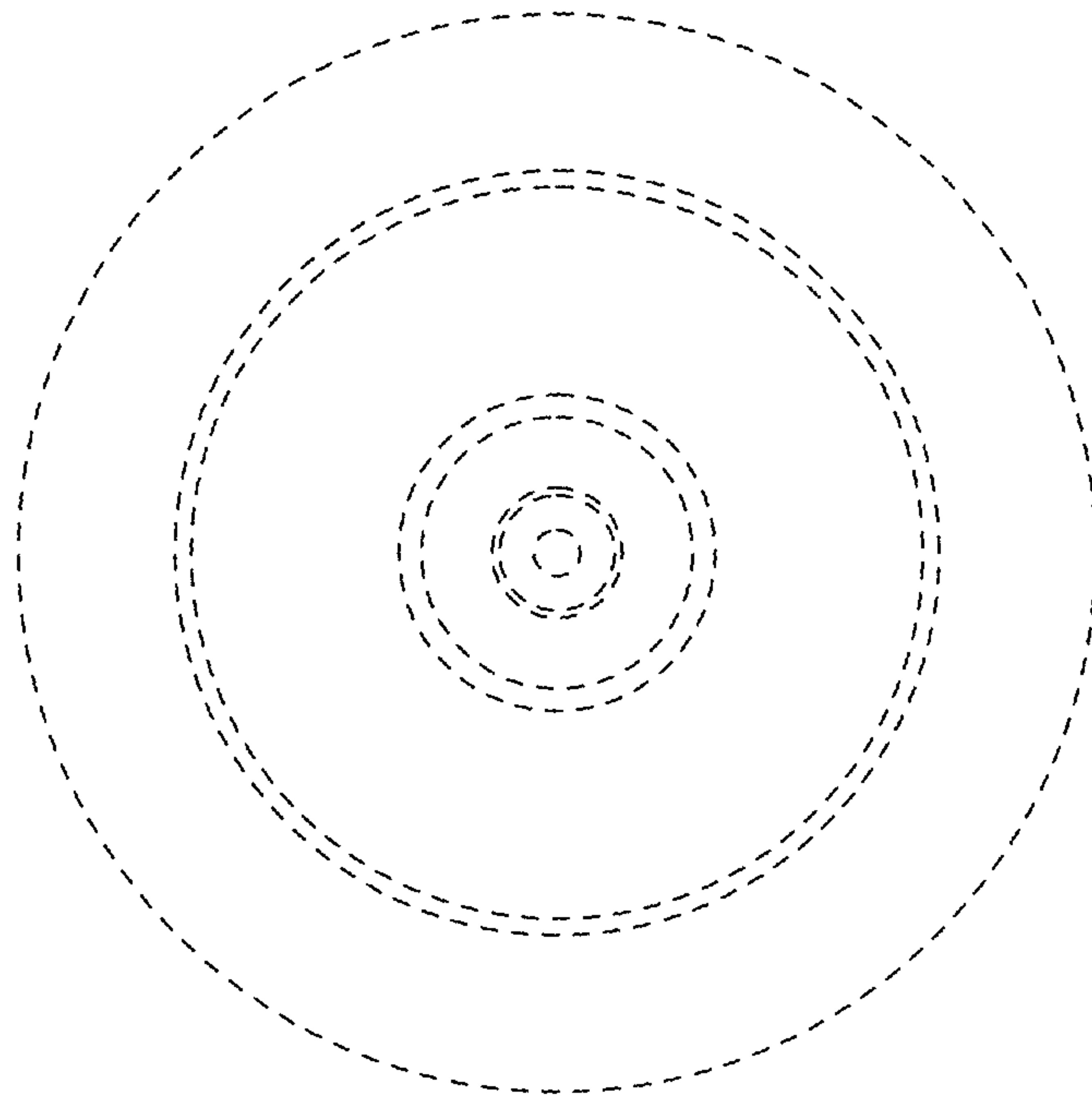


FIG. 9

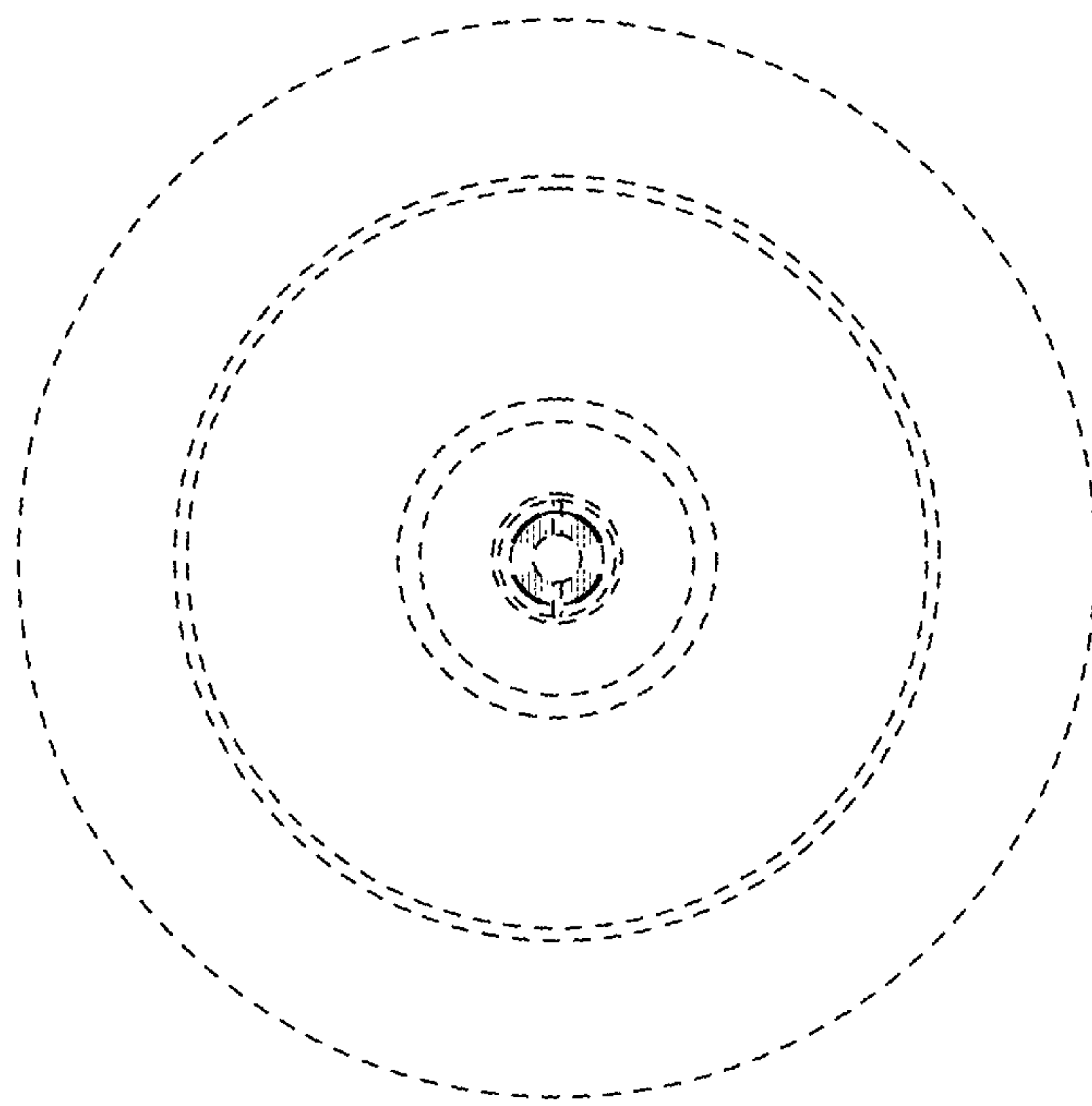


FIG. 10

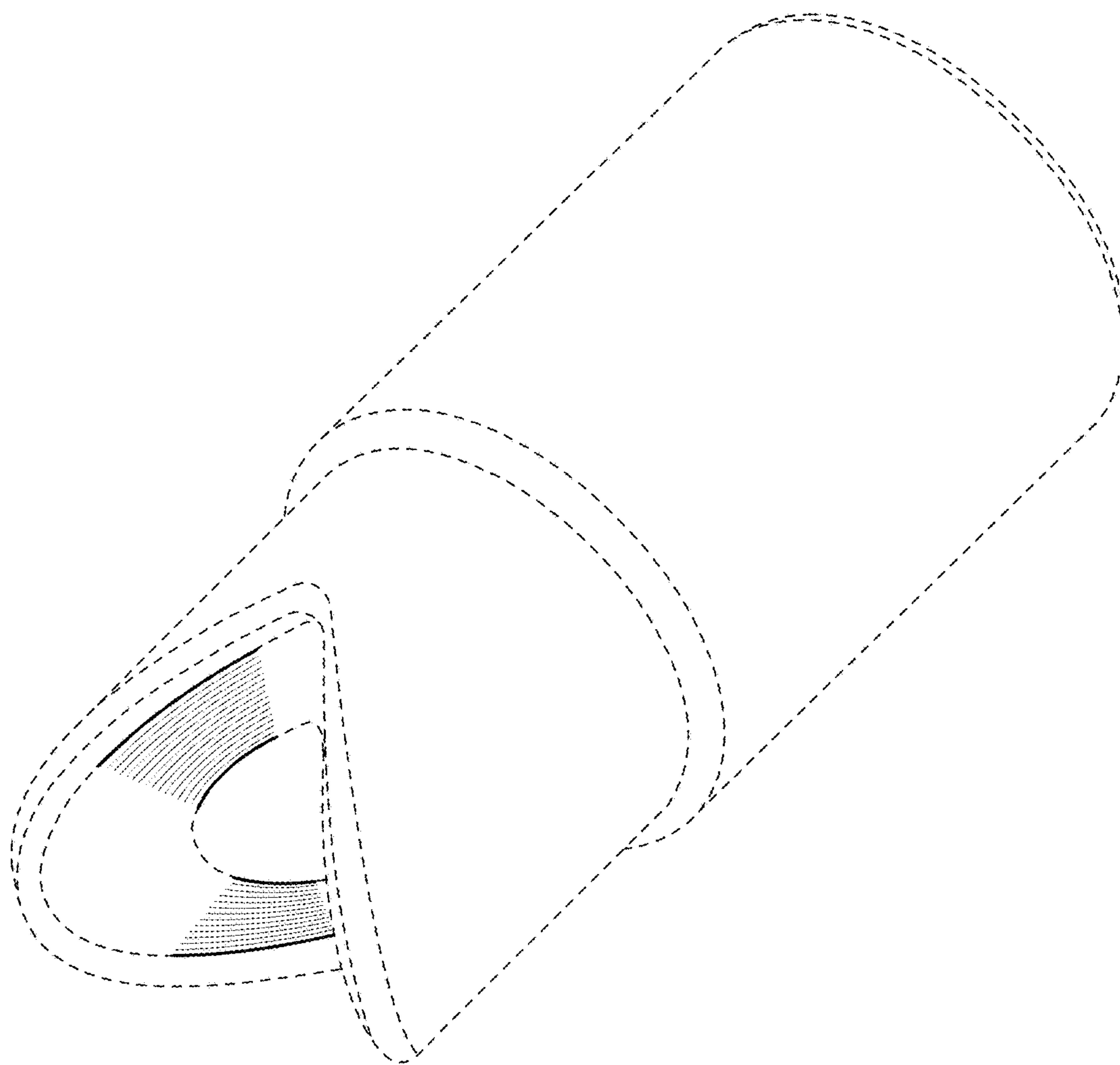


FIG. 11