



US00D787086S

(12) **United States Design Patent**
Ohsaka et al.

(10) **Patent No.:** **US D787,086 S**

(45) **Date of Patent:** **** May 16, 2017**

(54) **CONTAINER FOR CELL OBSERVATION**

(71) Applicants: **TOKYO OHKA KOGYO CO., LTD.**,
Kanagawa-ken (JP); **CHUGAI**
SEIYAKU KABUSHIKI KAISHA,
Tokyo (JP)

(72) Inventors: **Takashi Ohsaka**, Kanagawa-ken (JP);
Yasuo Suzuki, Kanagawa-ken (JP);
Noriyuki Takahashi, Shizuoka (JP);
Takeshi Baba, Shizuoka (JP)

(73) Assignees: **TOKYO OHKA KOGYO CO., LTD.**,
Kawasaki-Shi (JP); **CHUGAI**
SEIYAKU KABUSHIKI KAISHA,
Tokyo (JP)

(**) Term: **15 Years**

(21) Appl. No.: **29/559,016**

(22) Filed: **Mar. 23, 2016**

(30) **Foreign Application Priority Data**

Sep. 29, 2015 (JP) 2015-021389

(51) **LOC (10) Cl.** **24-02**

(52) **U.S. Cl.**
USPC **D24/224**

(58) **Field of Classification Search**
USPC D24/224-230, 107, 216; D7/500, 550.1,
D7/554.3, 554.4, 586, 587, 354; D9/434,
D9/456, 414; 211/88.01, 88.03
CPC A61B 50/33; A61B 50/00; A61B 50/30;
A61B 50/34; A61B 50/36; B65D 1/30;
A61M 25/002; A47F 3/14
See application file for complete search history.

(56) **References Cited**

U.S. PATENT DOCUMENTS

D237,315 S * 10/1975 Nowakowski D24/226
3,976,195 A * 8/1976 Cohen B65D 1/30
206/362

D261,715 S * 11/1981 Daenen D7/586
D303,051 S * 8/1989 Steed D24/224
D352,116 S * 11/1994 Kienholz D24/227
D416,330 S * 11/1999 Brown D24/224
D473,318 S * 4/2003 Barbera-Guillem D24/216
D618,821 S * 6/2010 Larsen D24/227
D706,073 S * 6/2014 Beauregard D7/354
9,283,352 B2 * 3/2016 Tomes A61M 25/002

(Continued)

Primary Examiner — Susan Bennett Hattan

Assistant Examiner — Rebecca Tsehaye

(74) *Attorney, Agent, or Firm* — Knobbe Martens Olson
& Bear LLP

(57) **CLAIM**

The ornamental design for a container for cell observation,
as shown and described.

DESCRIPTION

FIG. 1 is a perspective view of a container for cell obser-
vation, showing our new design.

FIG. 2 is a front elevation view thereof. A rear elevation
view is identical to the front elevation view.

FIG. 3 is a top plan view thereof.

FIG. 4 is a bottom plan view thereof.

FIG. 5 is a left side elevation view thereof. A right side
elevation view is identical to the left side elevation view.

FIG. 6 is a cross-sectional view taken along the line 6-6 in
FIG. 5.

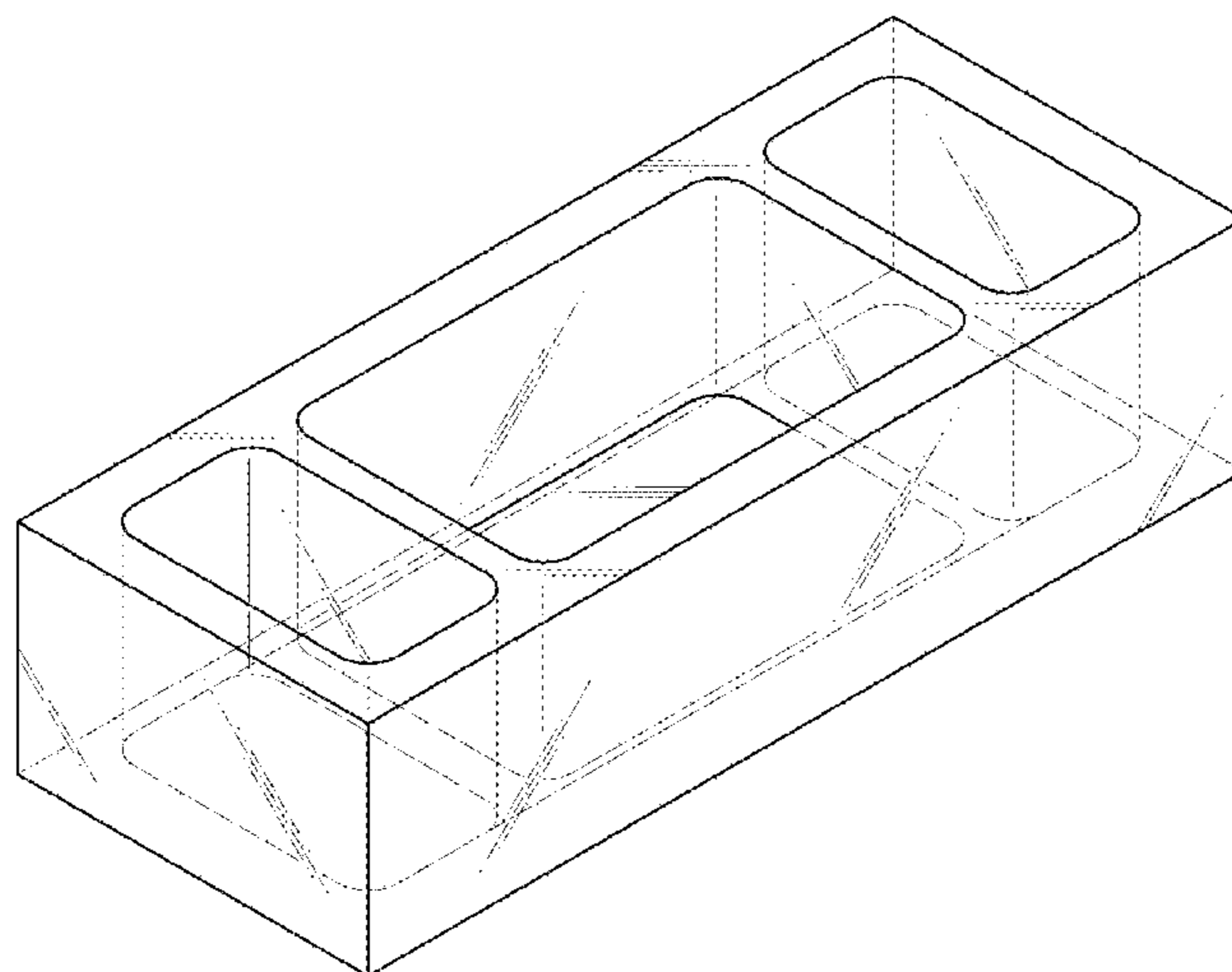
FIG. 7 is an enlarged view of the portion circled in FIG. 6.

FIG. 8 is a cross-sectional view taken along the line 8-8 in
FIG. 7; and,

FIG. 9 is a top plan view taken in direction of the arrow 9
in FIG. 7.

The broken lines shown in the drawings illustrate portions of
the container for cell observation that form no part of the
claimed design.

1 Claim, 9 Drawing Sheets



(56)

References Cited

U.S. PATENT DOCUMENTS

D758,191 S * 6/2016 Tu D9/414
9,386,865 B2 * 7/2016 Bally A47F 3/14

* cited by examiner

FIG. 1

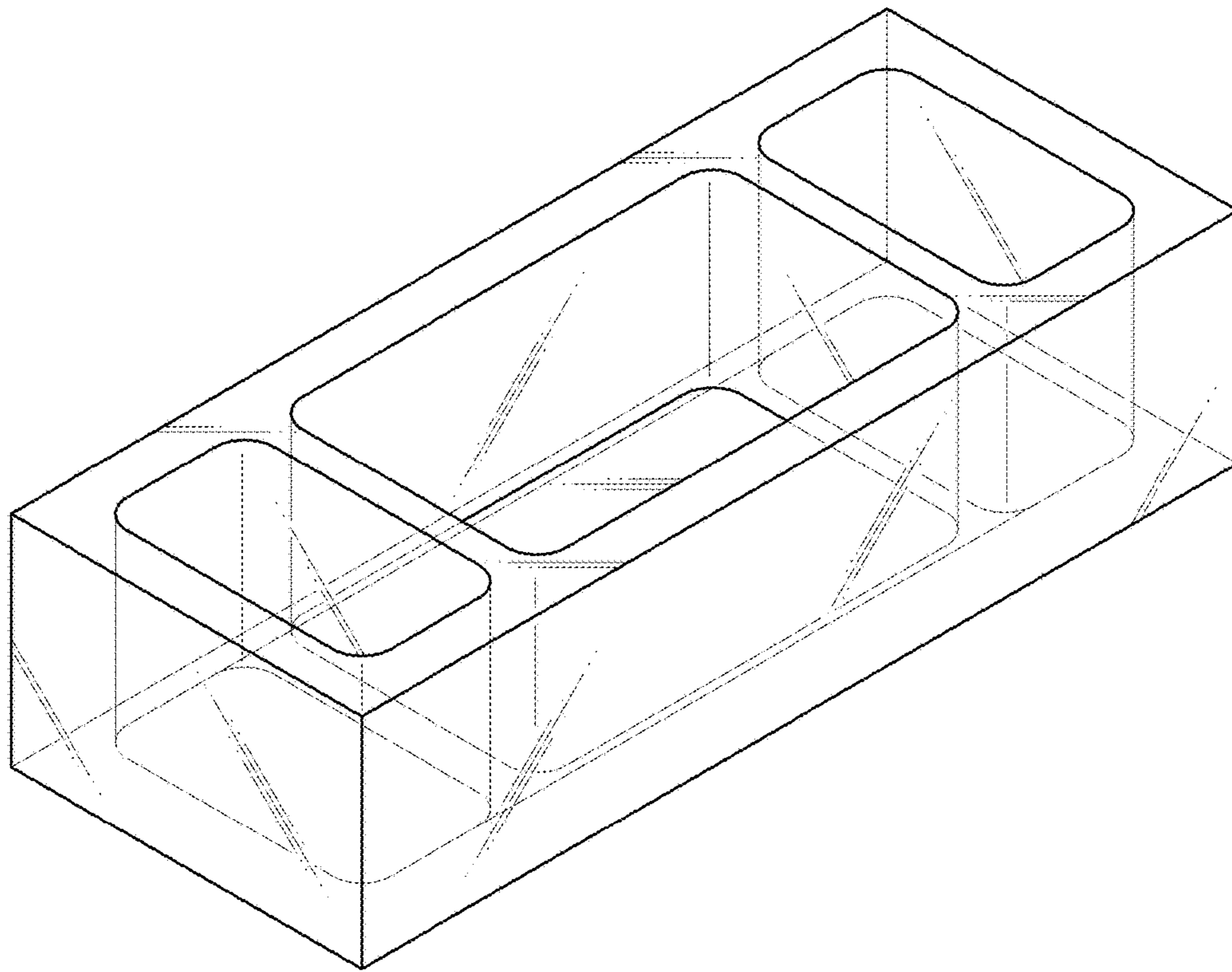


FIG. 2

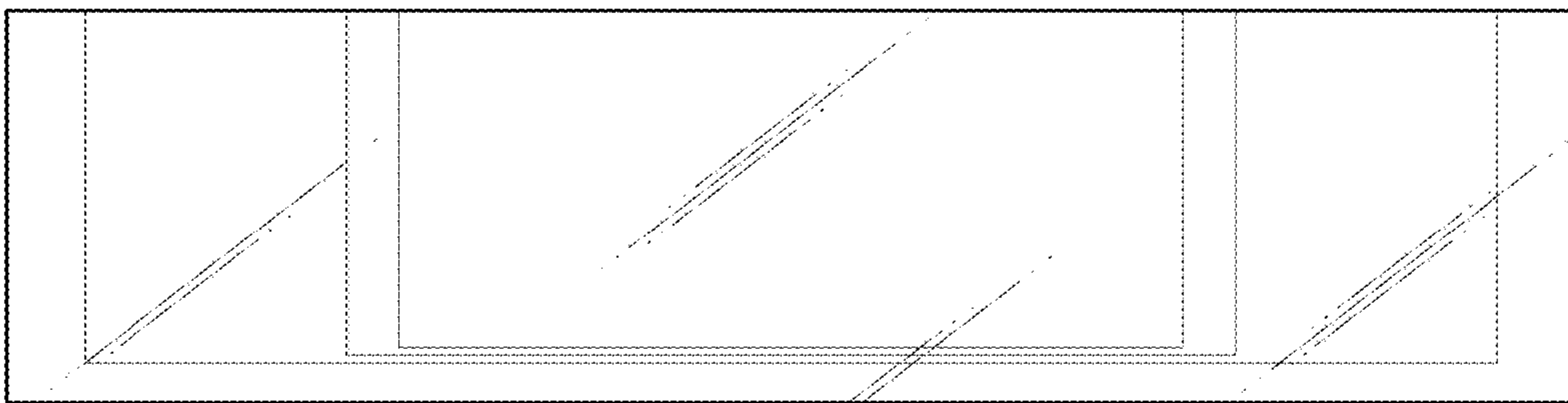


FIG. 3

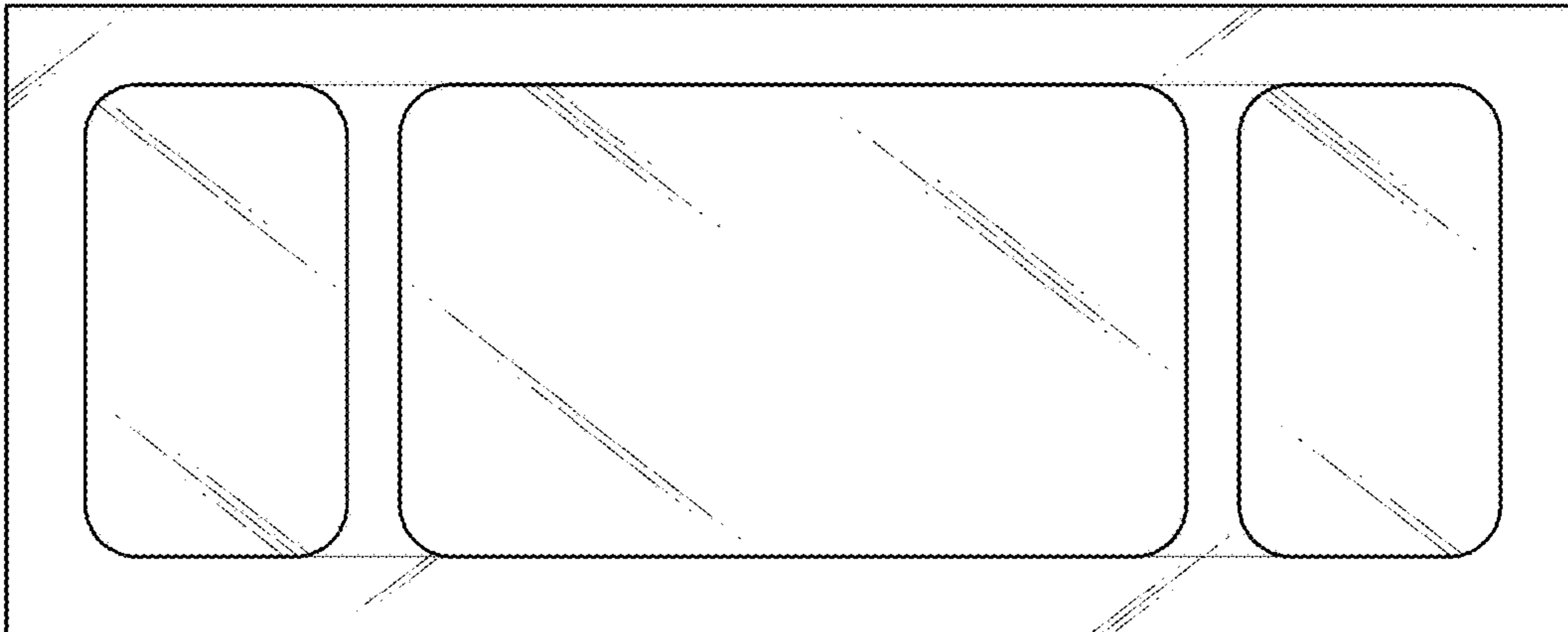


FIG. 4

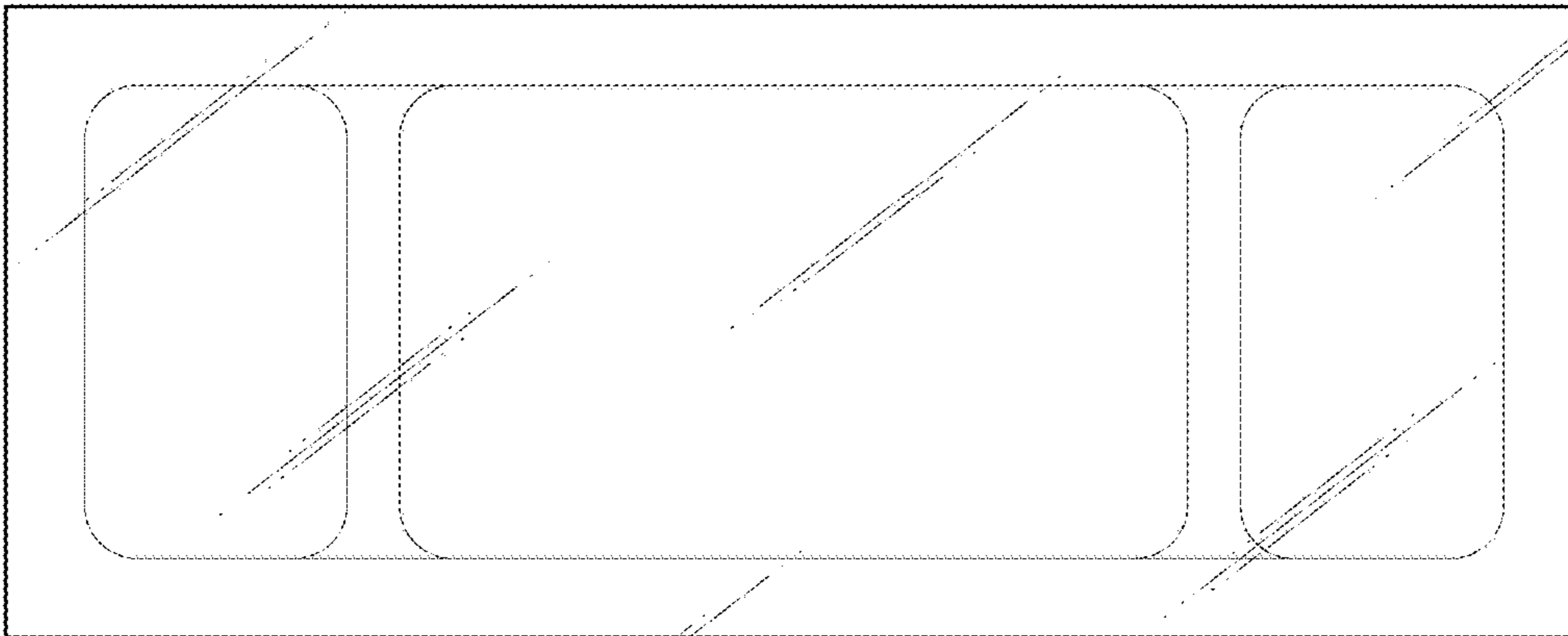


FIG. 5

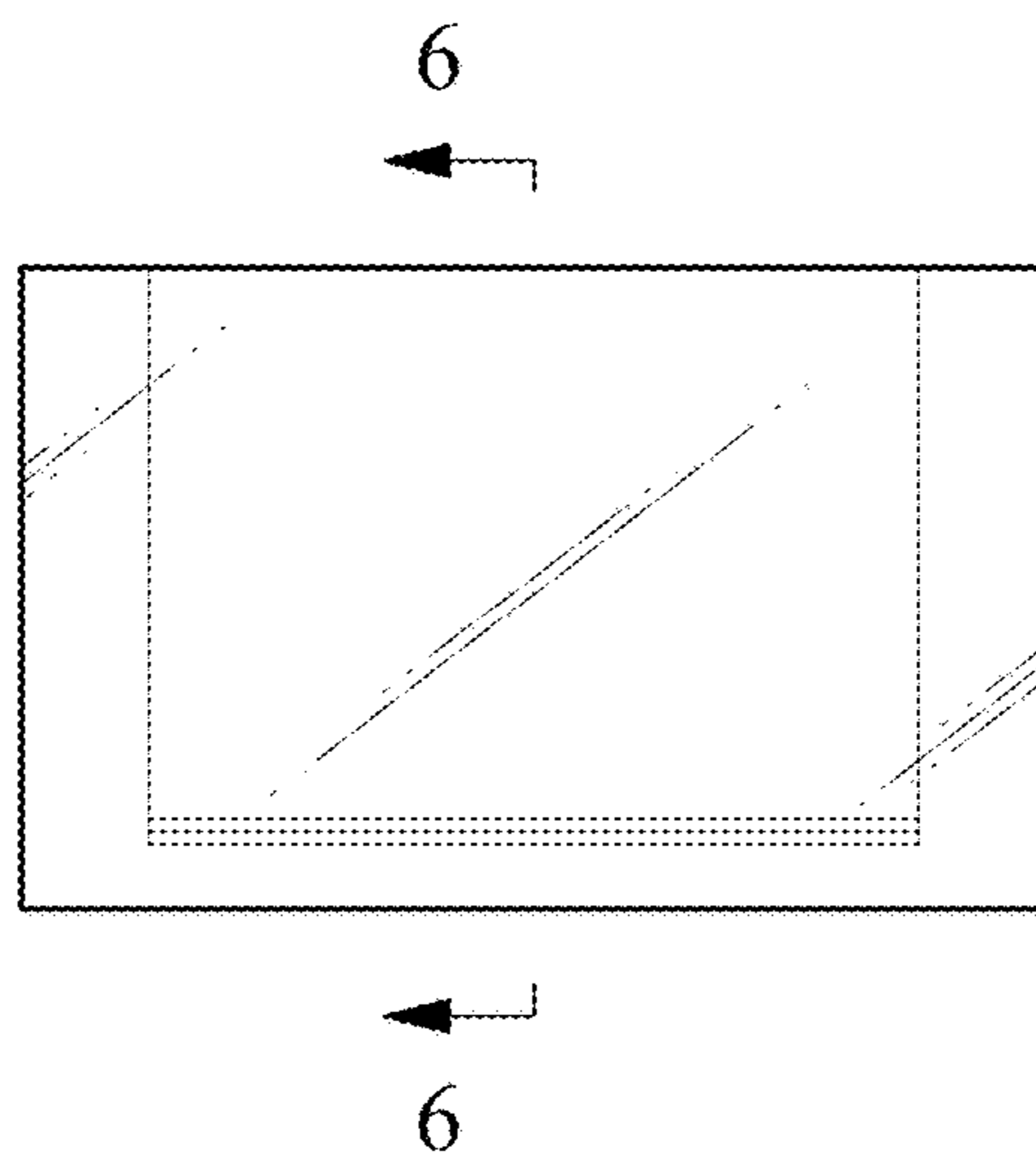


FIG. 6

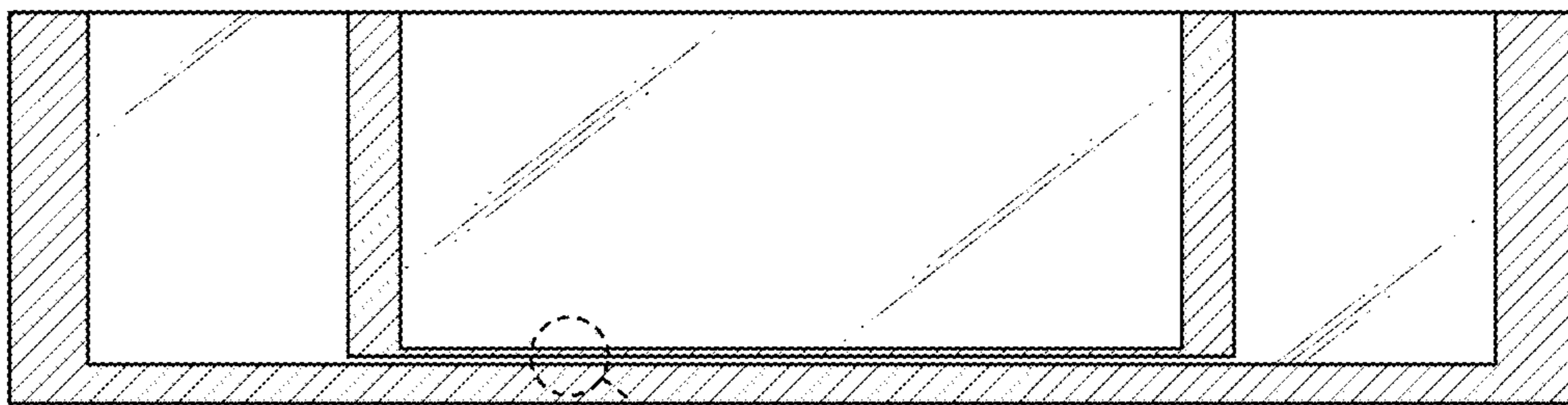


FIG. 7

FIG. 7

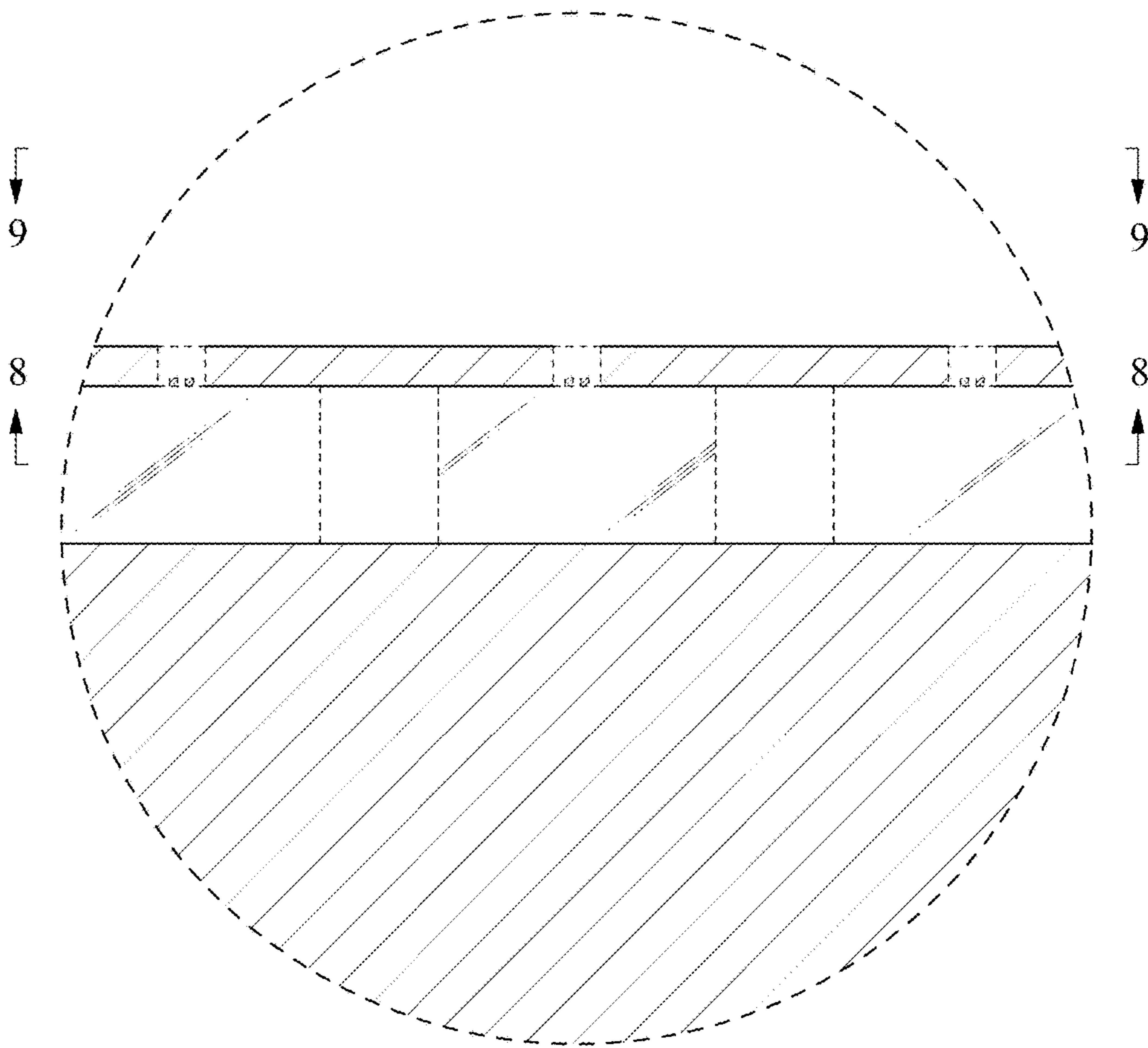


FIG. 8

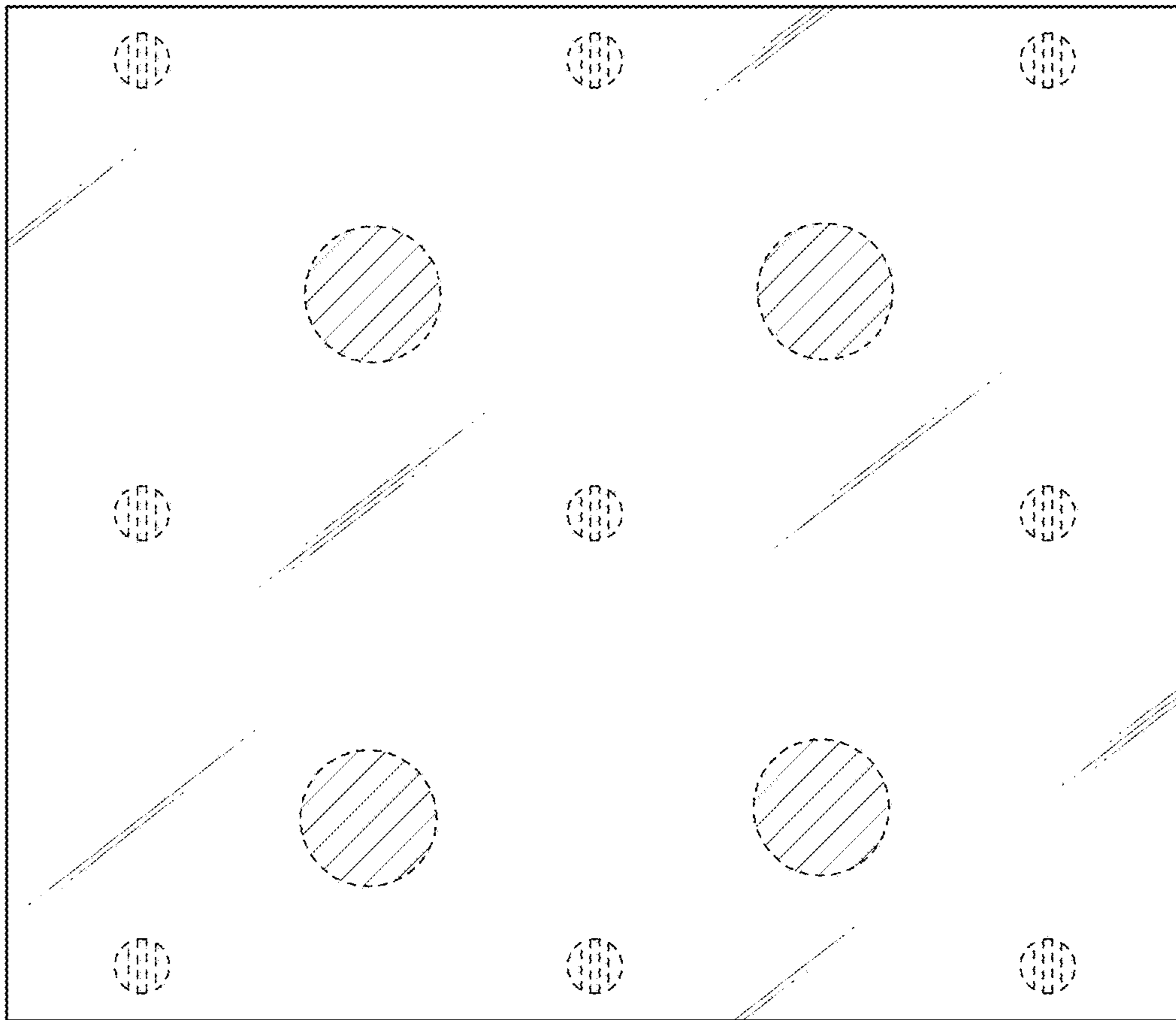


FIG. 9

