



US00D787085S

(12) **United States Design Patent** (10) **Patent No.:** **US D787,085 S**  
**Anders et al.** (45) **Date of Patent:** **\*\* May 16, 2017**

(54) **HEAD FOR A MIXING APPARATUS**

D640,898 S \* 7/2011 Sandor ..... D7/376  
8,367,024 B2 2/2013 Itoh  
D692,161 S \* 10/2013 Okuda ..... D24/220  
8,550,696 B2 10/2013 Ebers et al.  
8,574,515 B2 11/2013 Ellis et al.

(71) Applicant: **Heathrow Scientific LLC**, Vernon Hills, IL (US)

(Continued)

(72) Inventors: **Mark W. Anders**, Tai Po (HK); **Alice M. Jandrisits**, Des Plaines, IL (US)

**FOREIGN PATENT DOCUMENTS**

(73) Assignee: **HEATHROW SCIENTIFIC LLC**, Vernon Hills, IL (US)

EP 1352684 10/2003  
JP 2007237173 9/2007

(Continued)

(\*\*) Term: **14 Years**

*Primary Examiner* — Rhea Shields

(21) Appl. No.: **29/518,860**

(74) *Attorney, Agent, or Firm* — Michael Best & Friedrich LLP

(22) Filed: **Feb. 27, 2015**

(57) **CLAIM**

(51) **LOC (10) Cl.** ..... **24-00**

We claim the ornamental design for a head for a mixing apparatus, as shown and described.

(52) **U.S. Cl.**  
USPC ..... **D24/220**

(58) **Field of Classification Search**  
USPC ..... D24/220, 231; D15/138, 147; D7/376  
CPC ..... A61C 9/0026  
See application file for complete search history.

**DESCRIPTION**

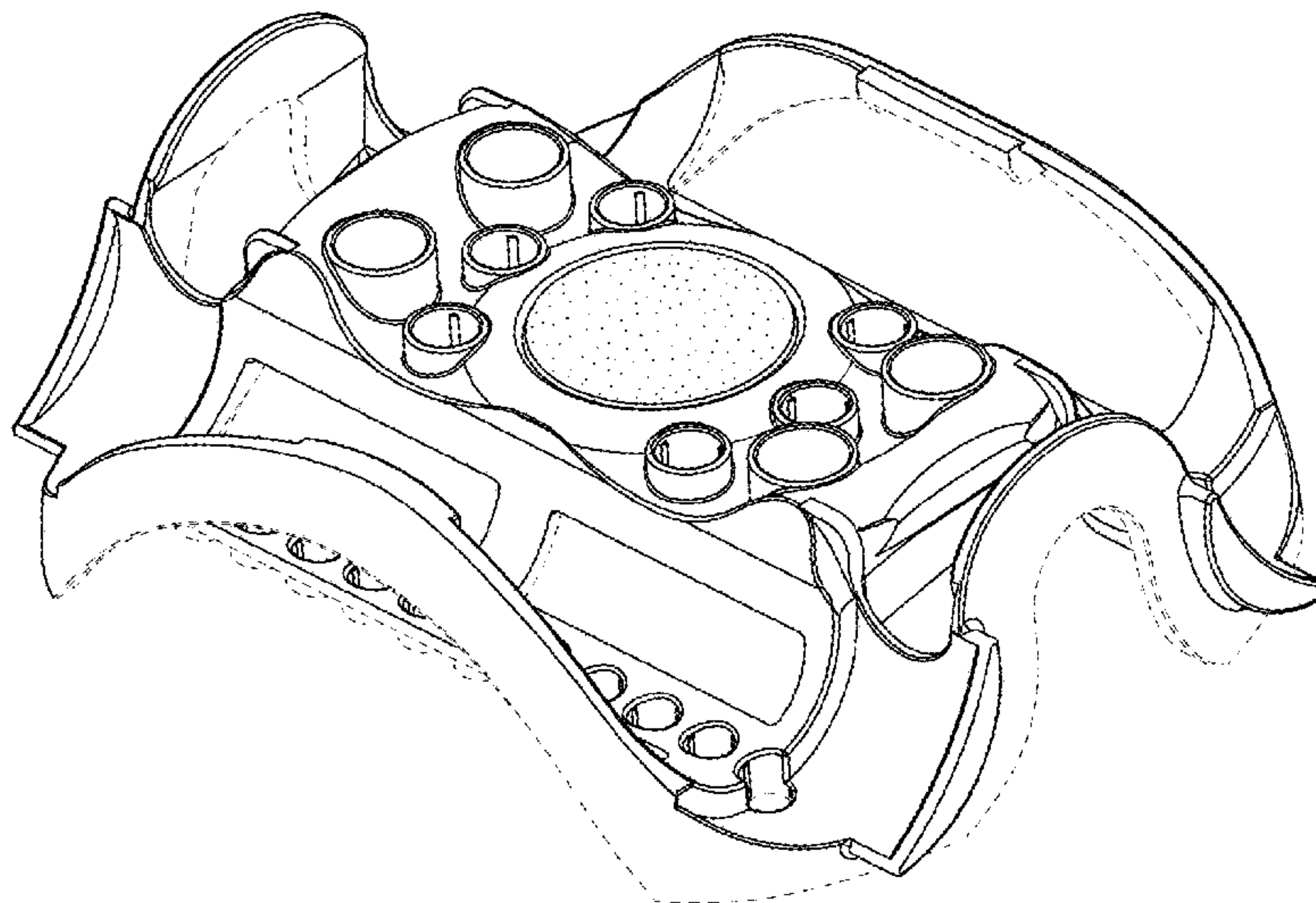
(56) **References Cited**

**U.S. PATENT DOCUMENTS**

2,809,020	A	10/1957	Magee et al.	
3,430,926	A	3/1969	Freedman et al.	
3,850,580	A	11/1974	Moore et al.	
4,118,801	A	10/1978	Kraft et al.	
4,555,183	A	11/1985	Thomas	
6,579,002	B1	6/2003	Bartick et al.	
6,709,148	B2	3/2004	Glass	
6,908,223	B2	6/2005	Bibbo et al.	
6,923,567	B2	8/2005	Bibbo et al.	
6,981,794	B2	1/2006	Bibbo et al.	
6,988,825	B2	1/2006	Coville et al.	
7,168,459	B2	1/2007	Bibbo et al.	
7,364,350	B2	4/2008	Coville et al.	
D607,476	S *	1/2010	Saul	D15/138
D609,255	S *	2/2010	Bare	D15/138
7,654,729	B2	2/2010	Passoni	

FIG. 1 is a perspective view of a head for a mixing apparatus embodying the invention.  
FIG. 2 is a top plan view of the head for a mixing apparatus shown in FIG. 1.  
FIG. 3 is a bottom plan view of the head for a mixing apparatus shown in FIG. 1.  
FIG. 4 is a left side elevation view of the head for a mixing apparatus shown in FIG. 1.  
FIG. 5 is a right side elevation view of the head for a mixing apparatus shown in FIG. 1.  
FIG. 6 is a front elevation view of the head for a mixing apparatus shown in FIG. 1; and,  
FIG. 7 is a rear elevation view of the head for a mixing apparatus shown in FIG. 1.  
In FIGS. 1 and 2, the stippling is intended to indicate a contrast in appearances. Throughout the drawings, the broken lines are for the purpose of illustrating environment only and form no part of the claimed design.

**1 Claim, 5 Drawing Sheets**



(56)

**References Cited**

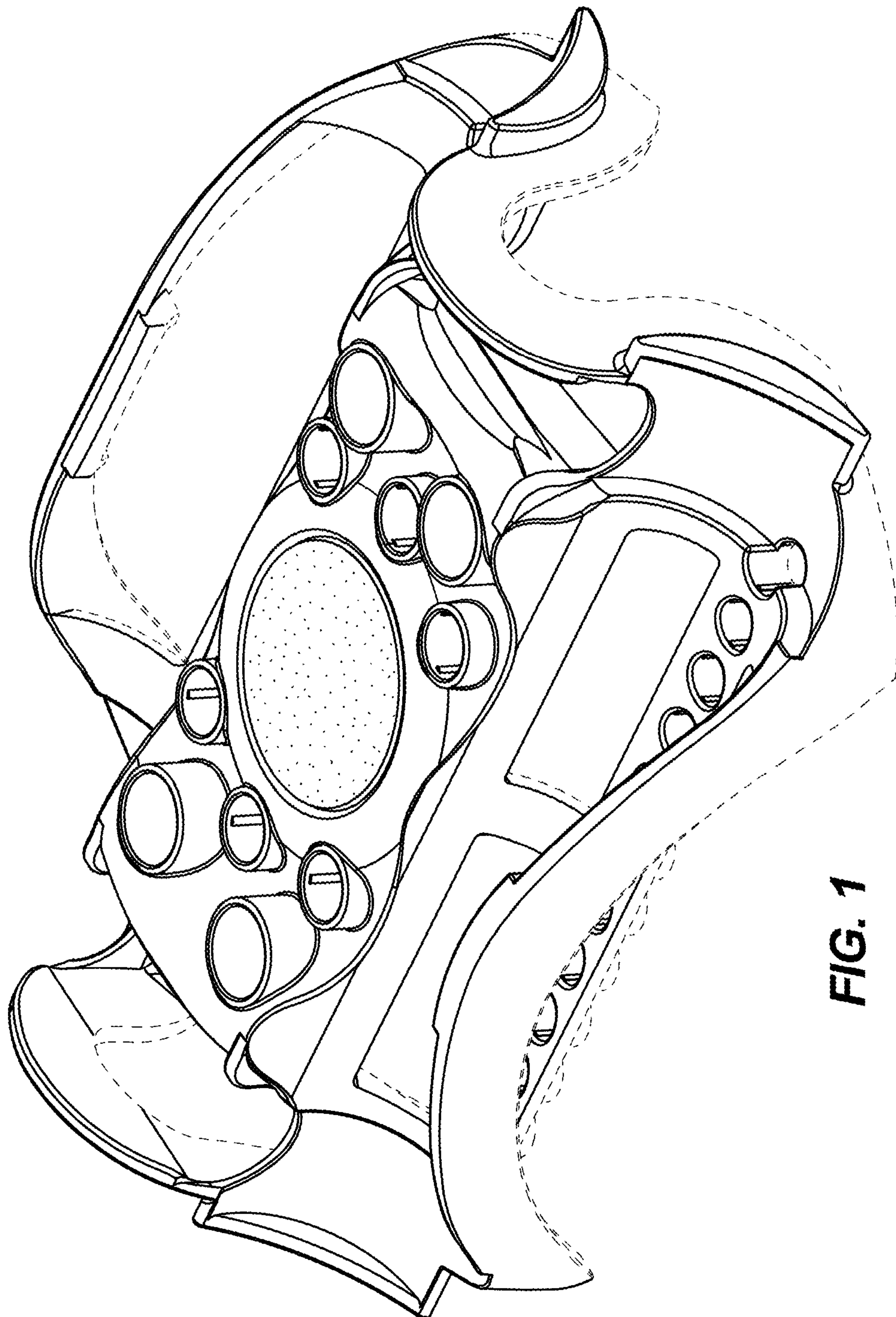
U.S. PATENT DOCUMENTS

D705,829 S \* 5/2014 Aeberhard ..... D15/147  
D746,883 S \* 1/2016 Strommer ..... D15/138  
9,227,162 B2\* 1/2016 Gramann ..... A61C 9/0026  
2003/0214876 A1 11/2003 Glass  
2004/0013576 A1 1/2004 Gfrorer et al.  
2004/0022123 A1 2/2004 Coville et al.  
2006/0187743 A1 8/2006 Carreras  
2010/0046323 A1 2/2010 Tien et al.  
2013/0044559 A1 2/2013 Ashe et al.

FOREIGN PATENT DOCUMENTS

JP 2010078483 4/2010  
JP 2010201396 9/2010  
WO 9831457 7/1998  
WO 2011124365 10/2011

\* cited by examiner



**FIG. 1**



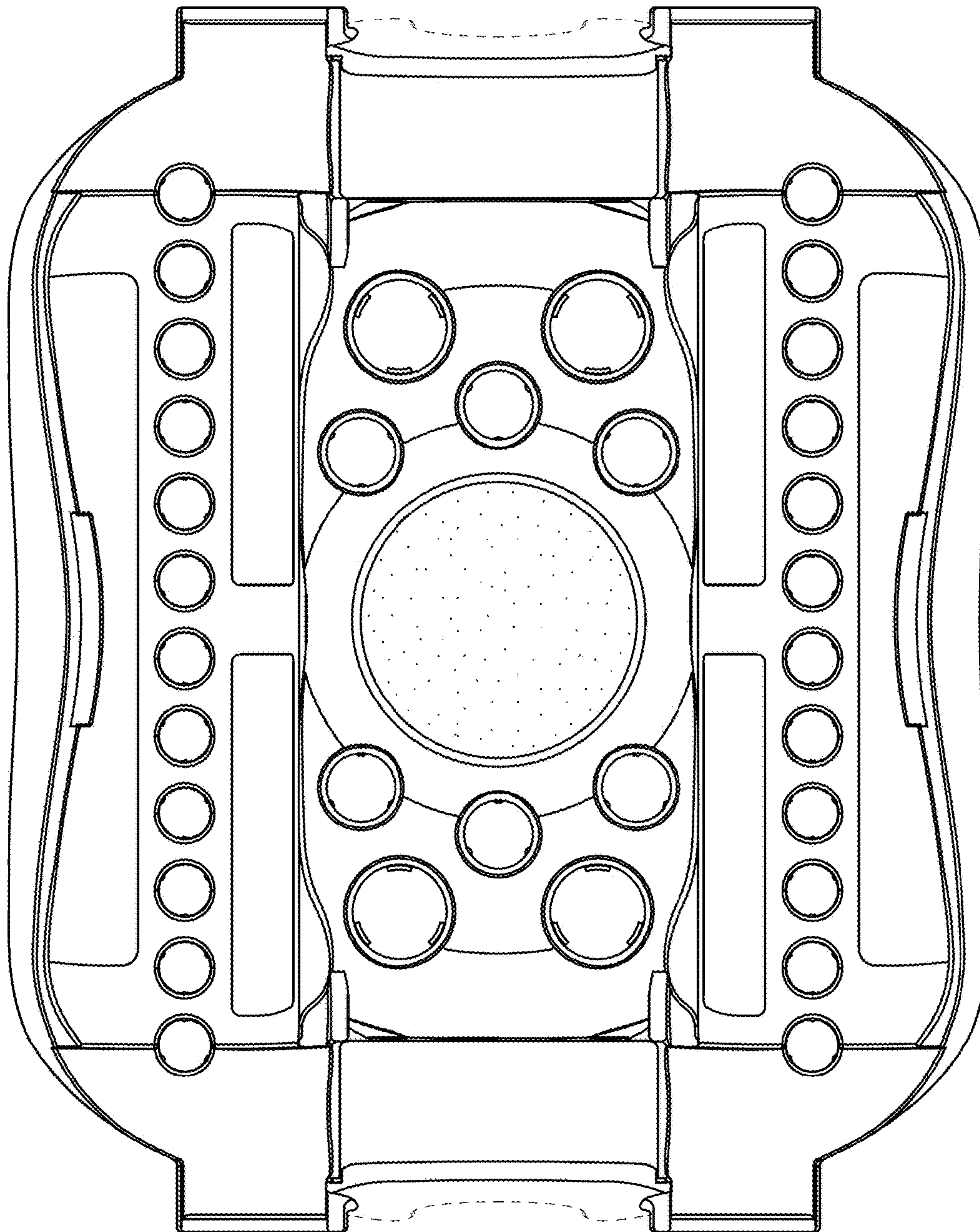
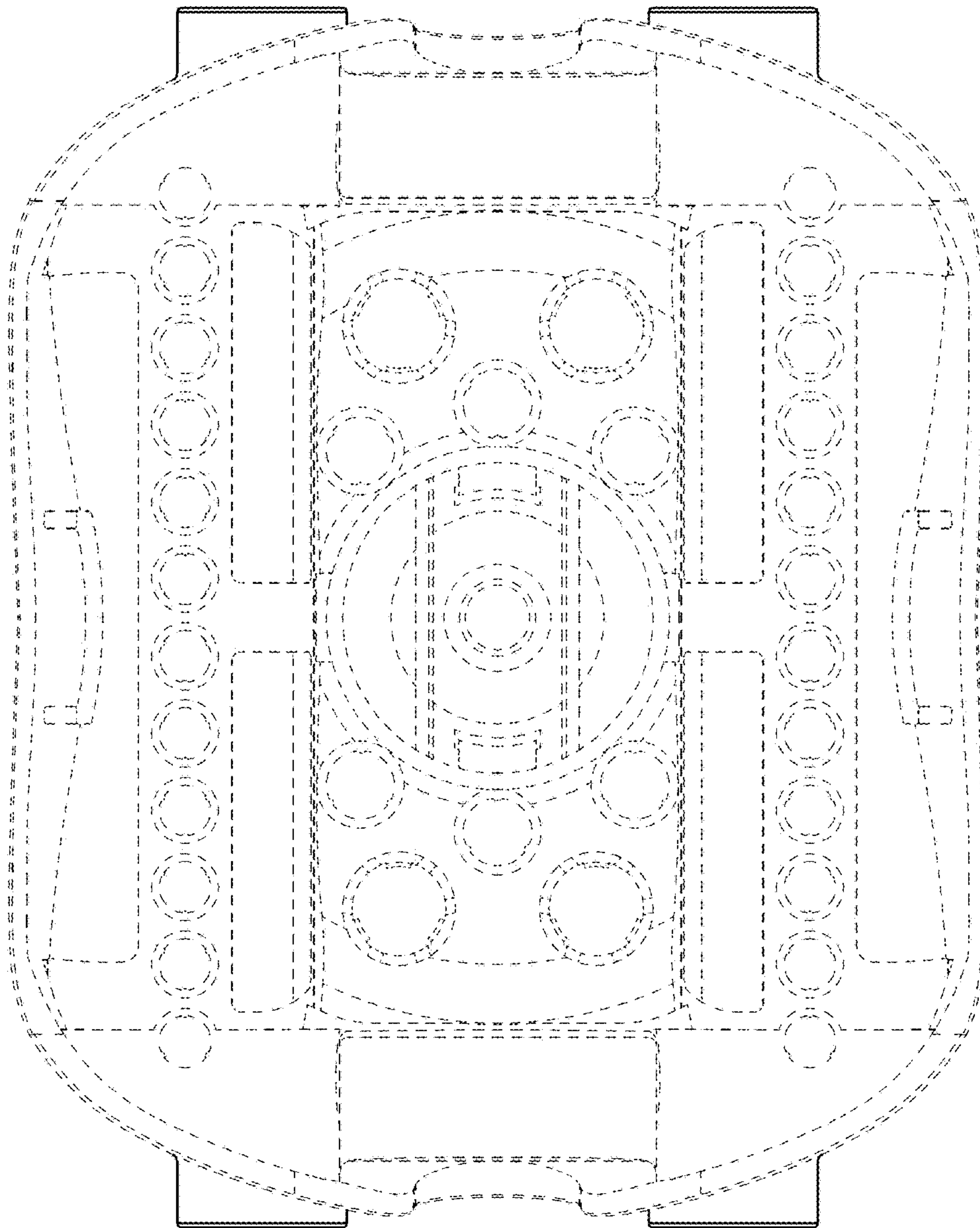
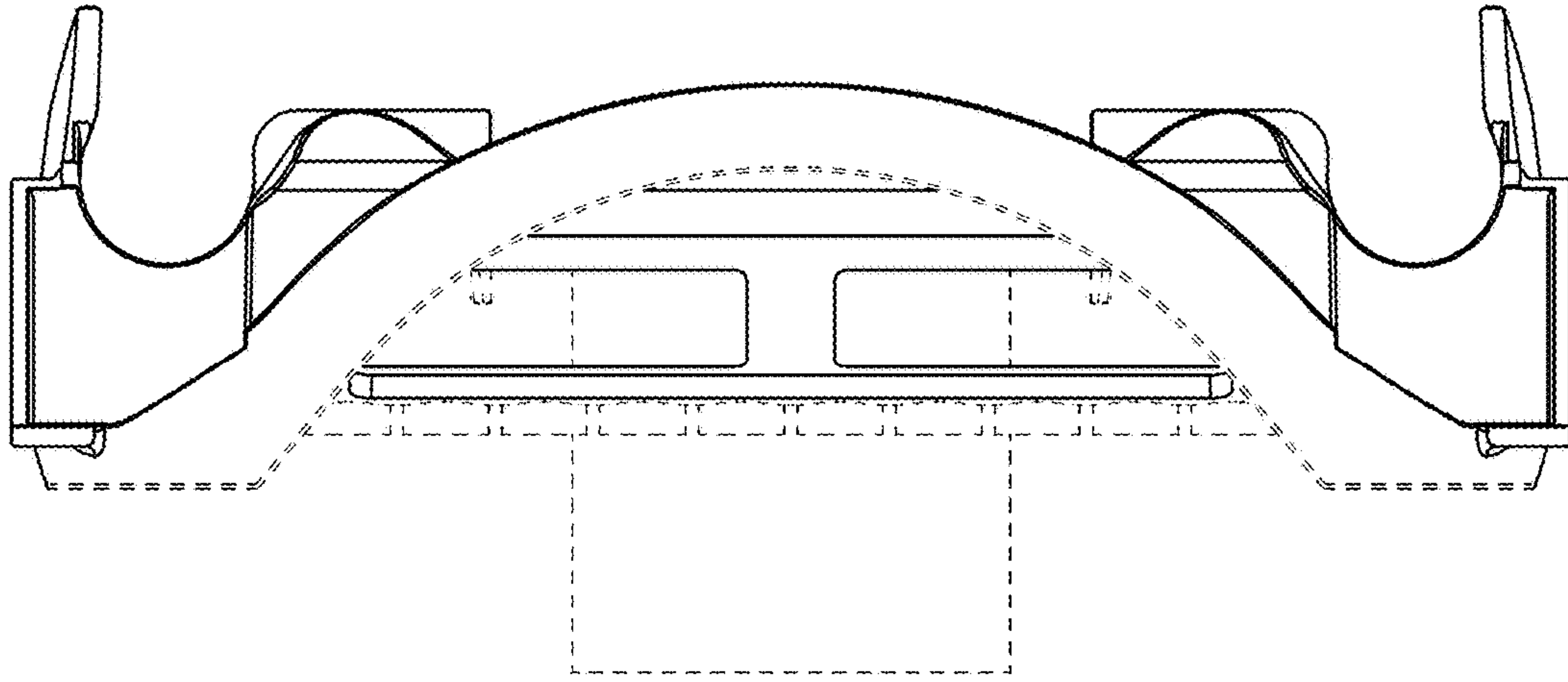


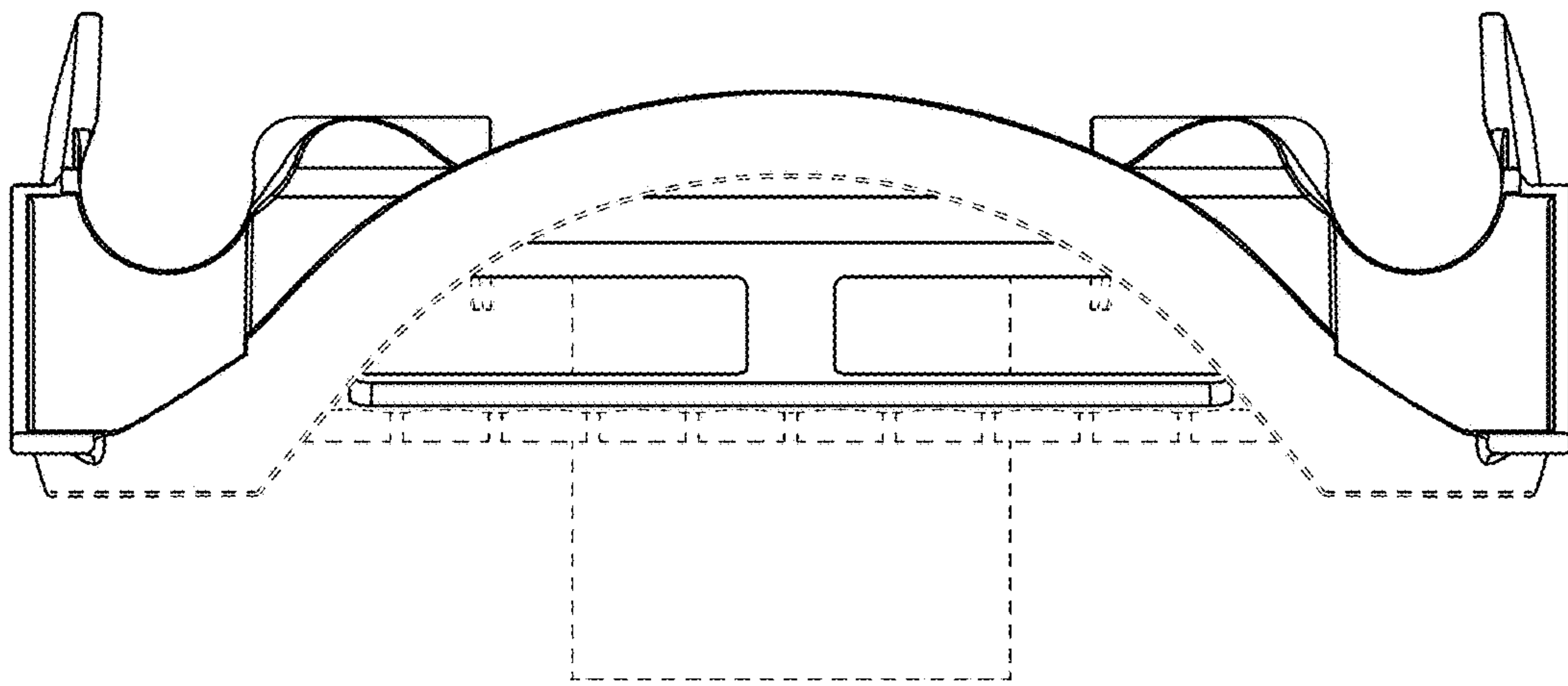
FIG. 2



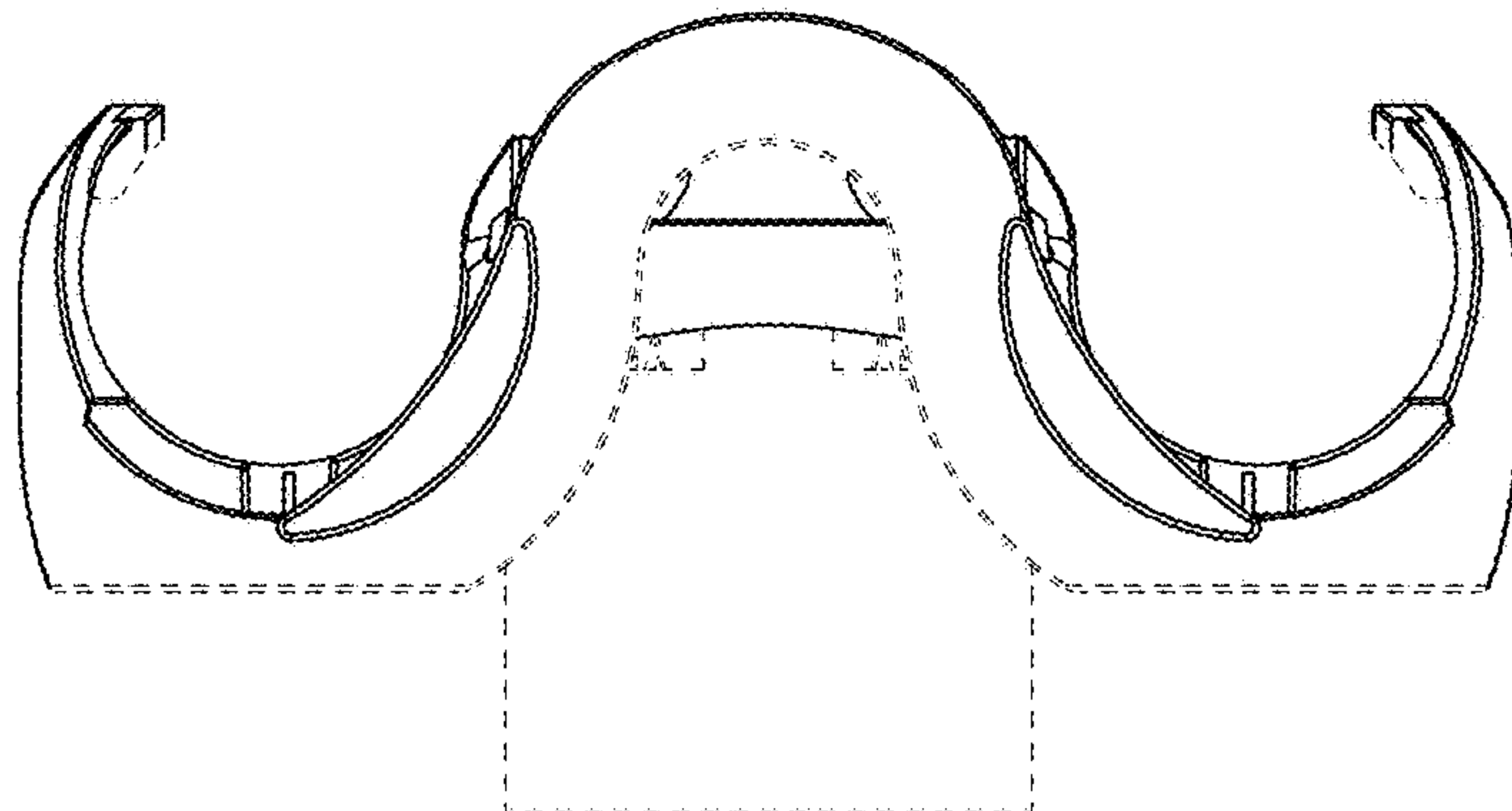
**FIG. 3**



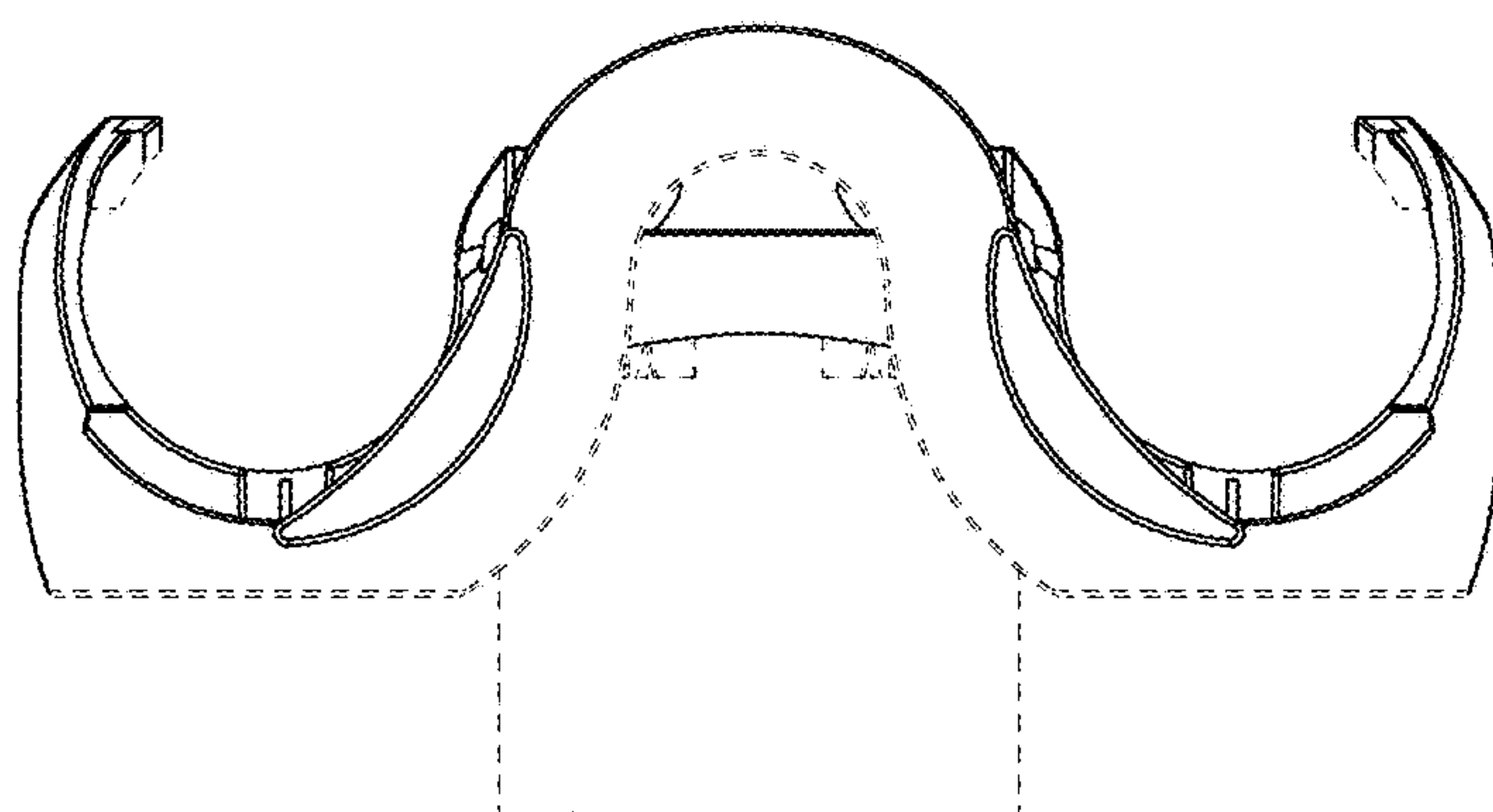
**FIG. 4**



**FIG. 5**



**FIG. 6**



**FIG. 7**