

US00D787084S

(12) **United States Design Patent**
Sarchese et al.

(10) **Patent No.:** **US D787,084 S**
(45) **Date of Patent:** **** May 16, 2017**

(54) **UV SANITIZING LAMP**

- (71) Applicant: **Watts Water Technologies, Inc.**, North Andover, MA (US)
- (72) Inventors: **Michael Sarchese**, Guelph (CA); **Craig A. Schmitt**, Phoenix, AZ (US)
- (73) Assignee: **Watts Water Technologies, Inc.**, North Andover, MA (US)
- (**) Term: **14 Years**

(21) Appl. No.: **29/524,583**

(22) Filed: **Apr. 21, 2015**

(51) **LOC (10) Cl.** **28-03**

(52) **U.S. Cl.**
USPC **D24/217; D24/210**

(58) **Field of Classification Search**
USPC **D23/207; D24/209, 210, 217; 250/435, 250/436; D26/1**

(Continued)

(56) **References Cited**

U.S. PATENT DOCUMENTS

D140,141 S * 1/1945 Glatthar et al. D24/217
3,683,177 A 8/1972 Veloz

(Continued)

FOREIGN PATENT DOCUMENTS

WO WO-0068152 A1 11/2000

OTHER PUBLICATIONS

European Search Report for EP Application No. 16275056.6 dated Jan. 20, 2017, 6 pages.

Primary Examiner — Robin V Webster

(74) *Attorney, Agent, or Firm* — Adler Pollock & Sheehan P.C.; George N. Chaclas; Daniel J. Holmänder

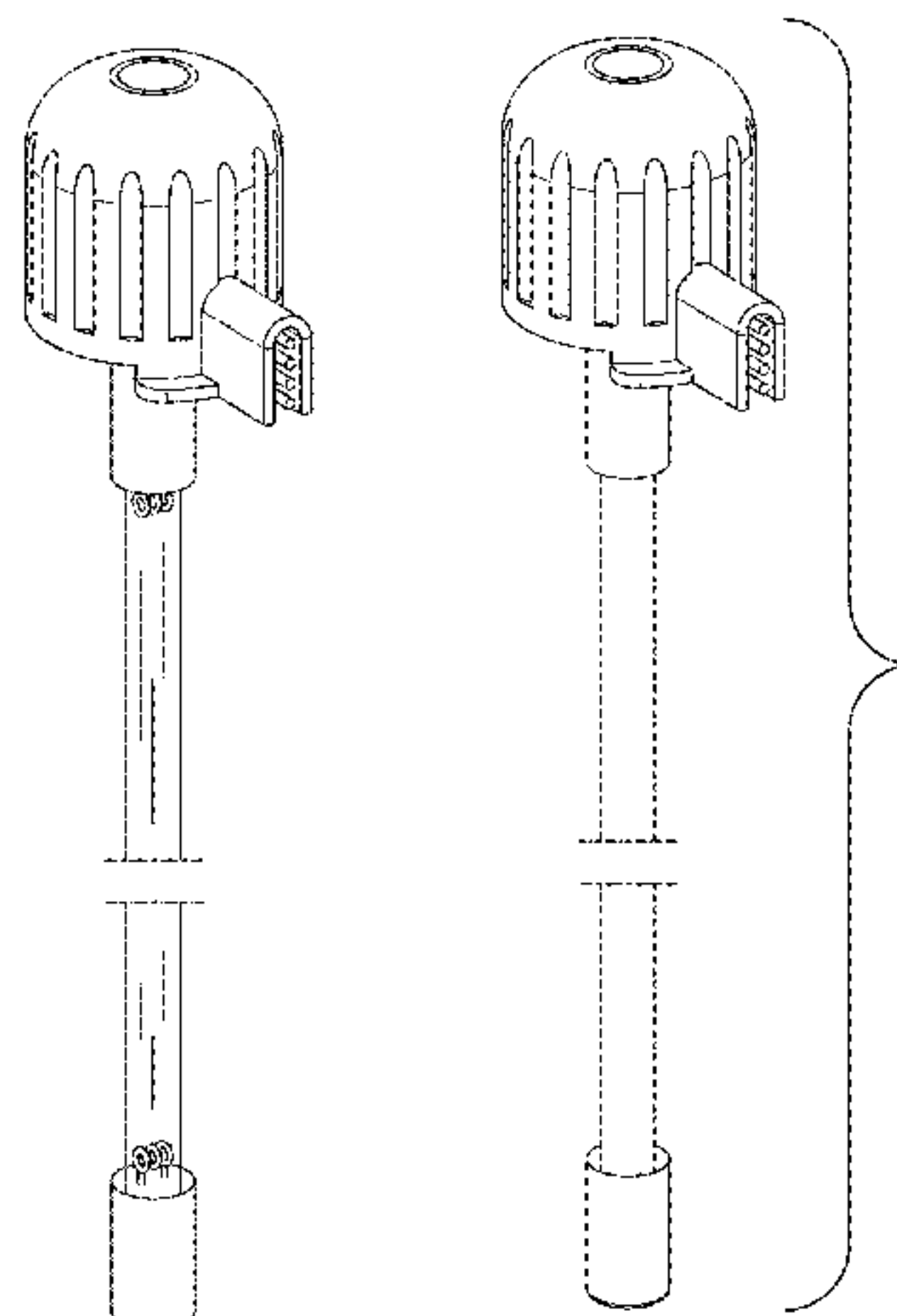
(57) **CLAIM**

The ornamental design for a UV sanitizing lamp, as shown and described.

DESCRIPTION

FIG. 1 is a perspective view of the UV sanitizing lamp according to the present disclosure.
 FIG. 2 is a front view of the UV sanitizing lamp according to the present disclosure.
 FIG. 3 is a back view of the UV sanitizing lamp according to the present disclosure.
 FIG. 4 is a left side view of the UV sanitizing lamp according to the present disclosure.
 FIG. 5 is a right view of the UV sanitizing lamp according to the present disclosure.
 FIG. 6 is a top view of the UV sanitizing lamp according to the present disclosure.
 FIG. 7 is a bottom view of the UV sanitizing lamp according to the present disclosure.
 FIG. 8 is a perspective view of another UV sanitizing lamp according to the present disclosure.
 FIG. 9 is a front view of the UV sanitizing lamp of FIG. 8 according to the present disclosure.
 FIG. 10 is a back view of the UV sanitizing lamp of FIG. 8 according to the present disclosure.
 FIG. 11 is a left side view of the UV sanitizing lamp of FIG. 8 according to the present disclosure.
 FIG. 12 is a right view of the UV sanitizing lamp of FIG. 8 according to the present disclosure.
 FIG. 13 is a top view of the UV sanitizing lamp of FIG. 8 according to the present disclosure.
 FIG. 14 is a bottom view of the UV sanitizing lamp of FIG. 8 according to the present disclosure.
 FIG. 15 is a perspective view of still another UV sanitizing lamp according to the present disclosure.
 FIG. 16 is a front view of the UV sanitizing lamp of FIG. 15 according to the present disclosure.
 FIG. 17 is a back view of the UV sanitizing lamp FIG. 15 according to the present disclosure.
 FIG. 18 is a left side view of the UV sanitizing lamp FIG. 15 according to the present disclosure.
 FIG. 19 is a right view of the UV sanitizing lamp FIG. 15 according to the present disclosure.
 FIG. 20 is a top view of the UV sanitizing lamp FIG. 15 according to the present disclosure; and,
 FIG. 21 is a bottom view of the UV sanitizing lamp FIG. 15 according to the present disclosure.
 The broken lines which defined the bounds of the claimed design of FIGS. 1-7 form no part thereof and merely illustrate the variable length of the UV sanitizing lamp.
 The broken lines of the claimed design of FIGS. 15-21 form no part thereof and merely illustrate the variable length and variable envelope shape of the UV sanitizing lamp.

1 Claim, 6 Drawing Sheets



(58) **Field of Classification Search**

CPC C02F 1/32; C02F 1/325
See application file for complete search history.

(56) **References Cited**

U.S. PATENT DOCUMENTS

4,017,734 A 4/1977 Ross
4,700,101 A * 10/1987 Ellner H01J 61/34
250/436
5,334,905 A * 8/1994 Ullrich B01J 19/123
250/436
5,393,419 A * 2/1995 Tiede A61L 2/10
210/192
5,547,590 A 8/1996 Szabo
6,960,321 B1 11/2005 Ludwig
D598,578 S * 8/2009 Hanley D26/1
D598,579 S * 8/2009 Hanley D26/1
7,569,981 B1 * 8/2009 Ciancanelli A61L 9/20
250/436
8,395,134 B2 * 3/2013 Penhale C02F 1/325
250/431
8,674,322 B2 * 3/2014 Kohler A61L 9/20
210/748.1
8,890,087 B2 * 11/2014 Ben-David C02F 1/325
210/748.1
2009/0261264 A1 10/2009 Hormann
2014/0077696 A1 3/2014 Kuennen et al.
2014/0158905 A1 6/2014 Hoang

* cited by examiner

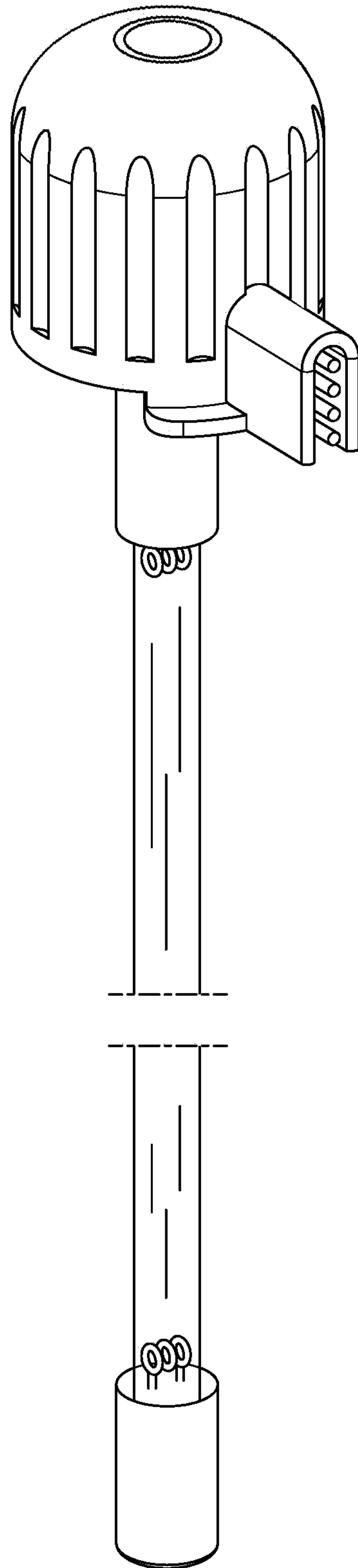


FIG. 1

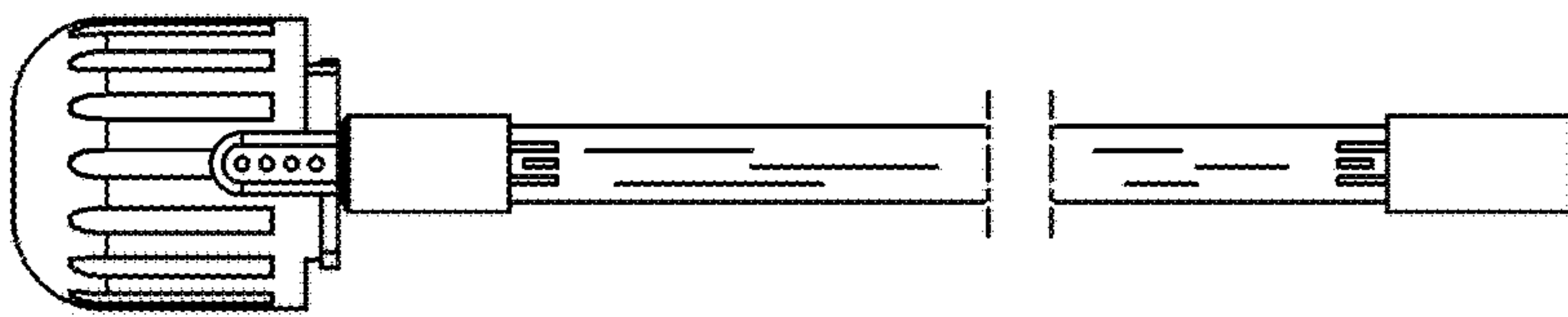


FIG. 2

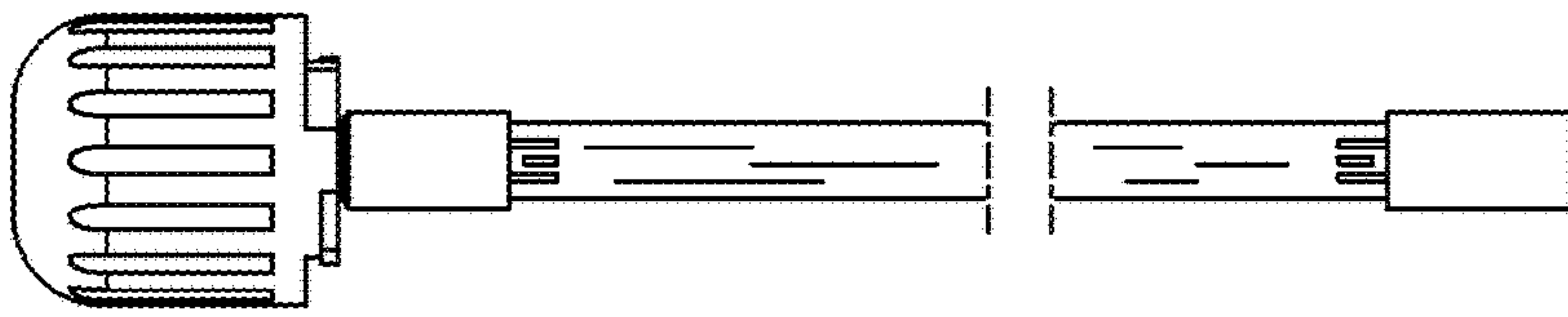


FIG. 3

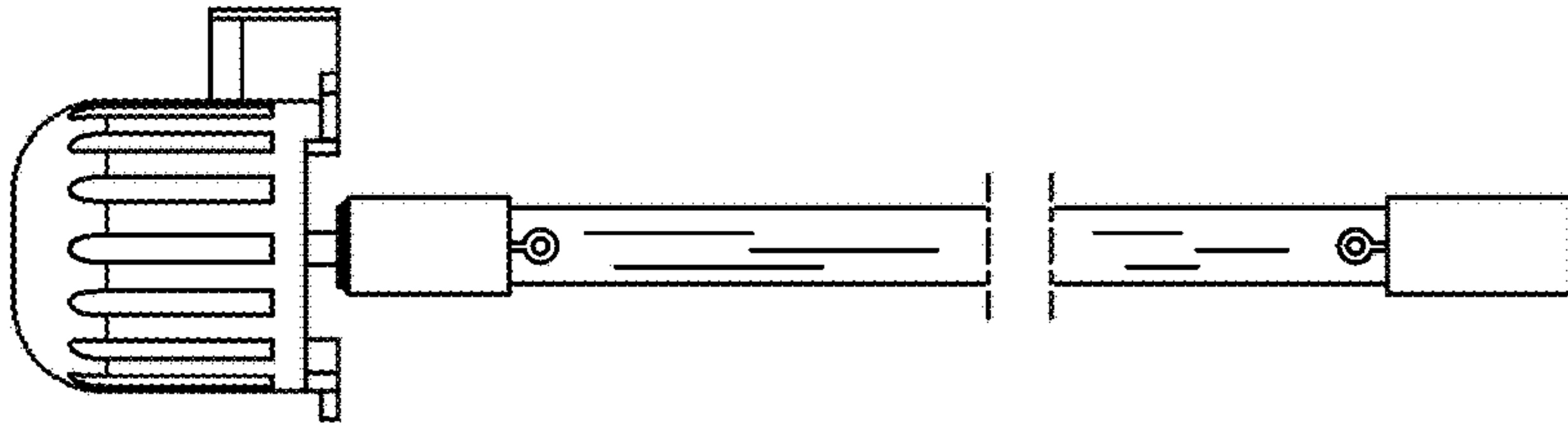


FIG. 4

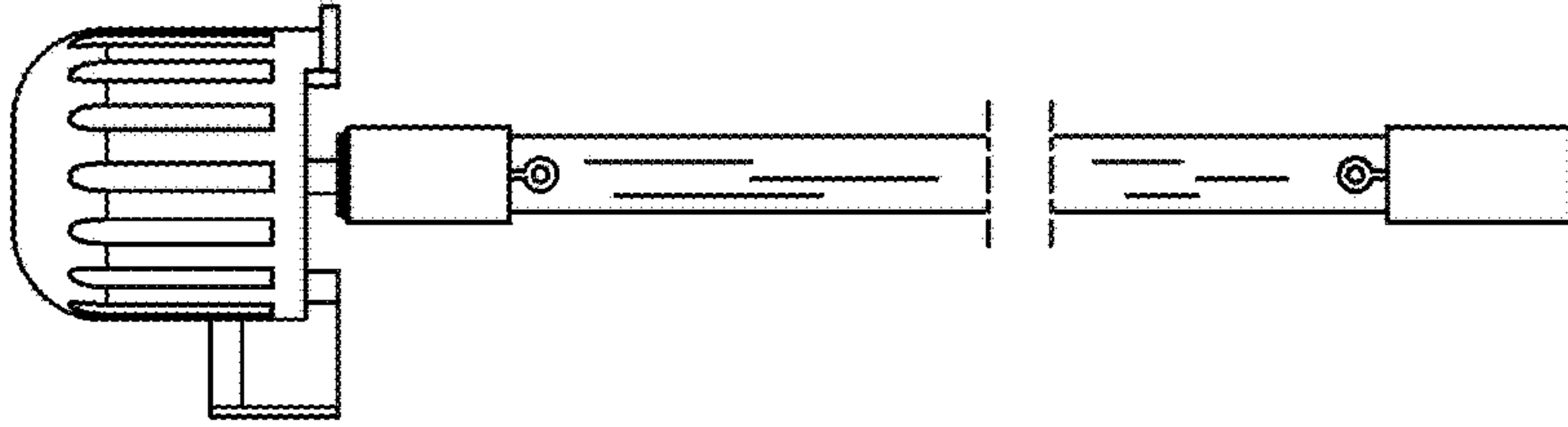


FIG. 5

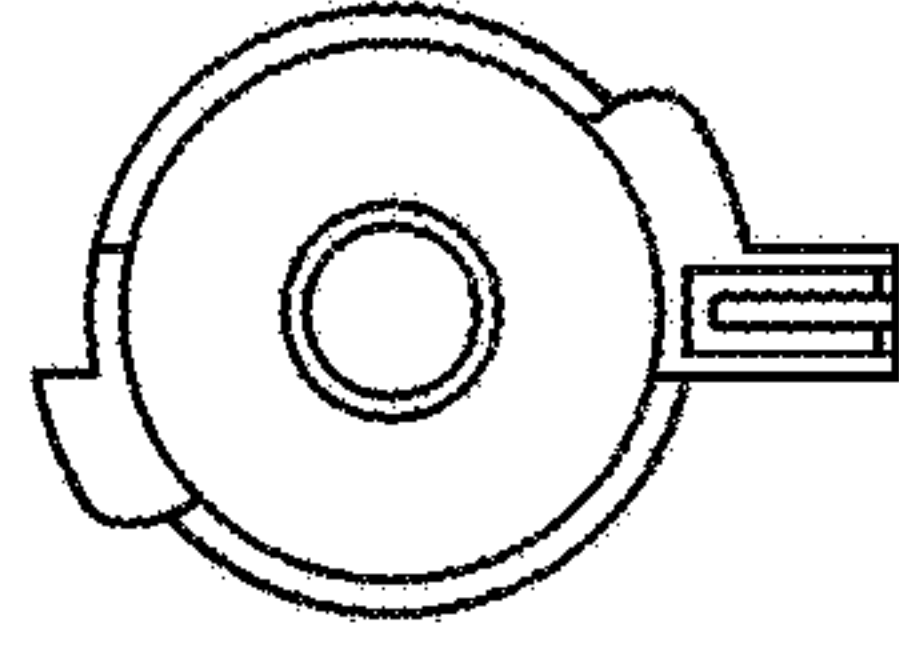


FIG. 6

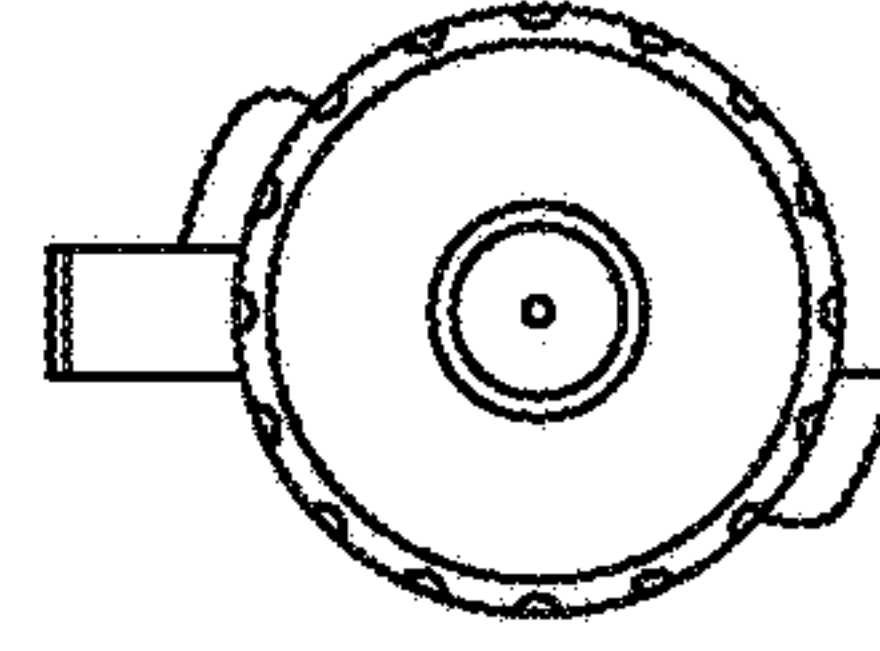


FIG. 7

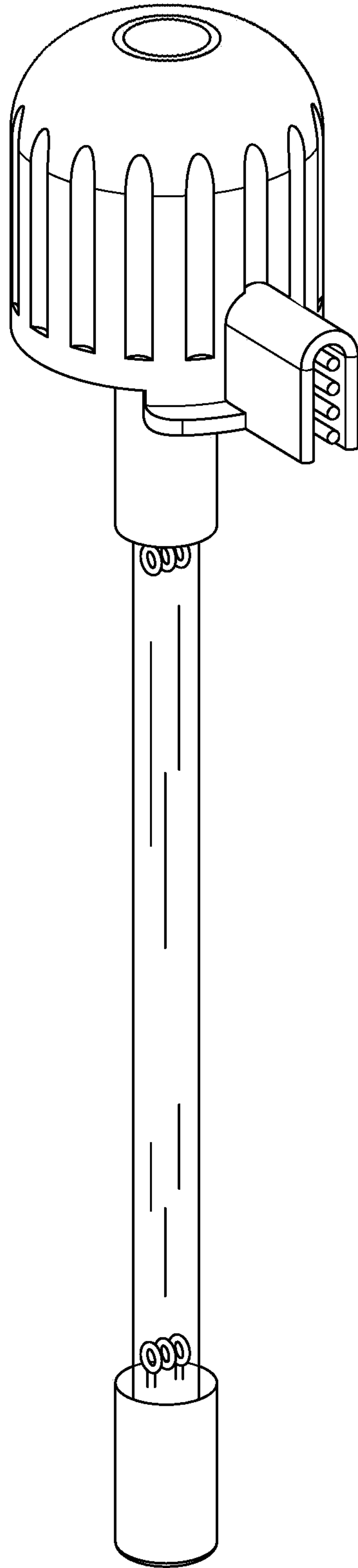


FIG. 8

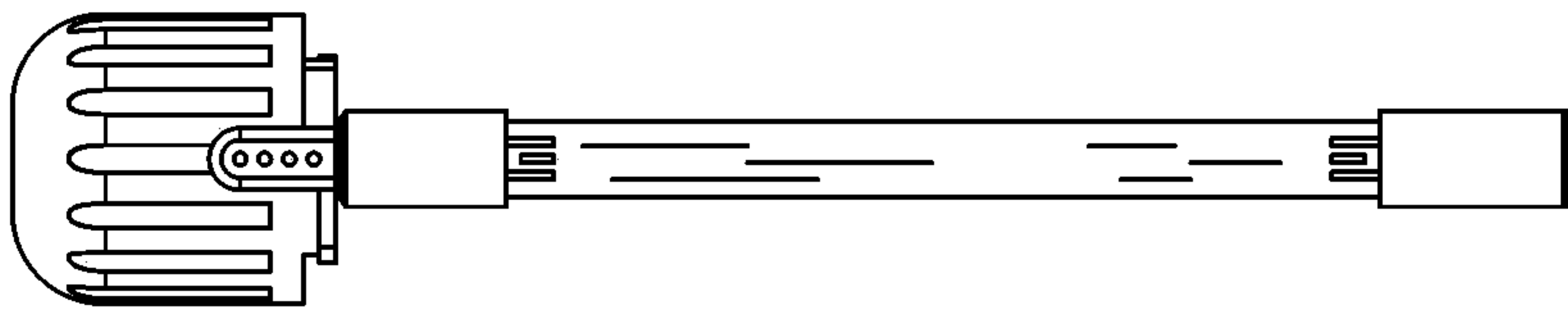


FIG. 9

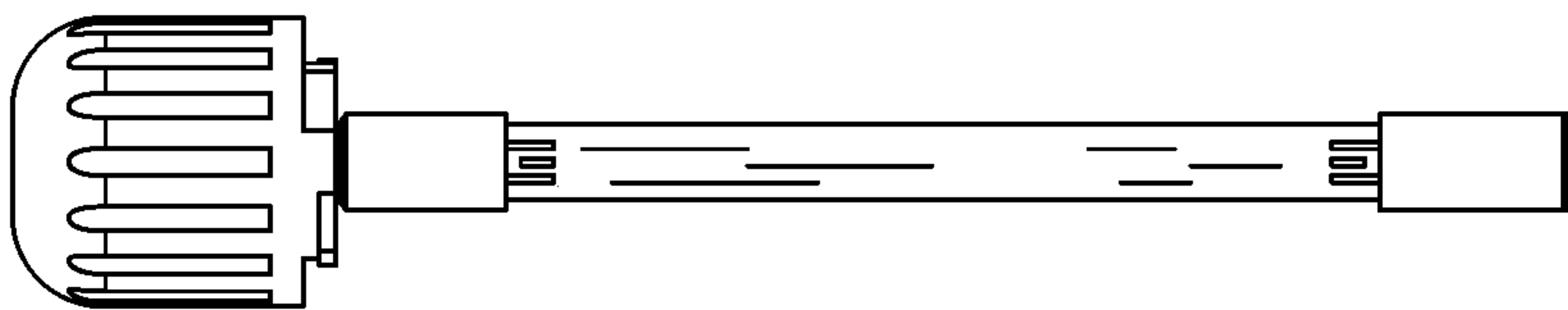


FIG. 10

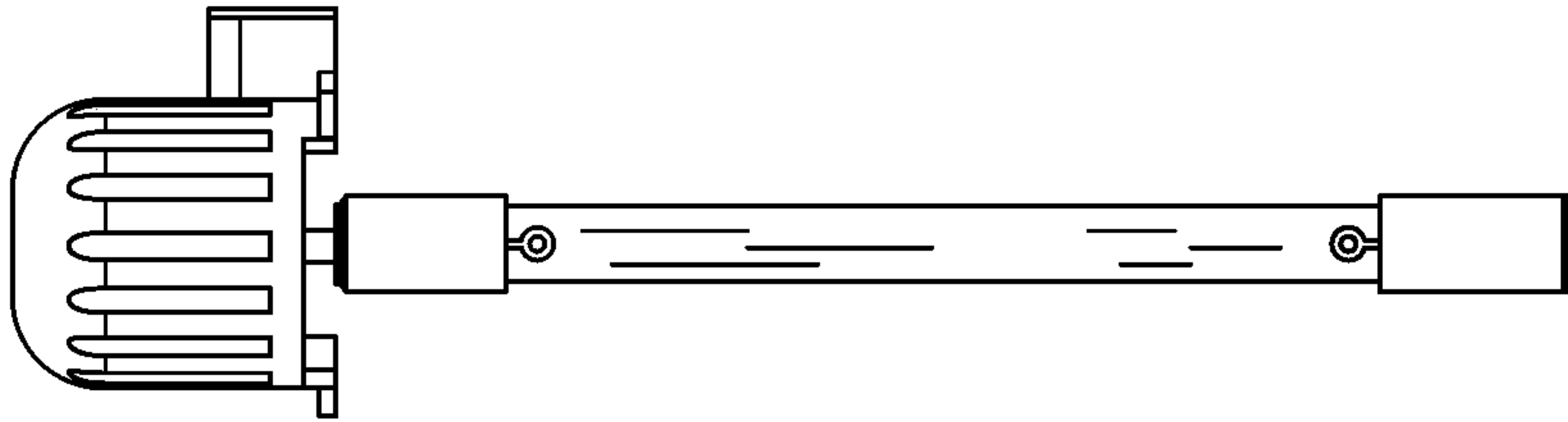


FIG. 11

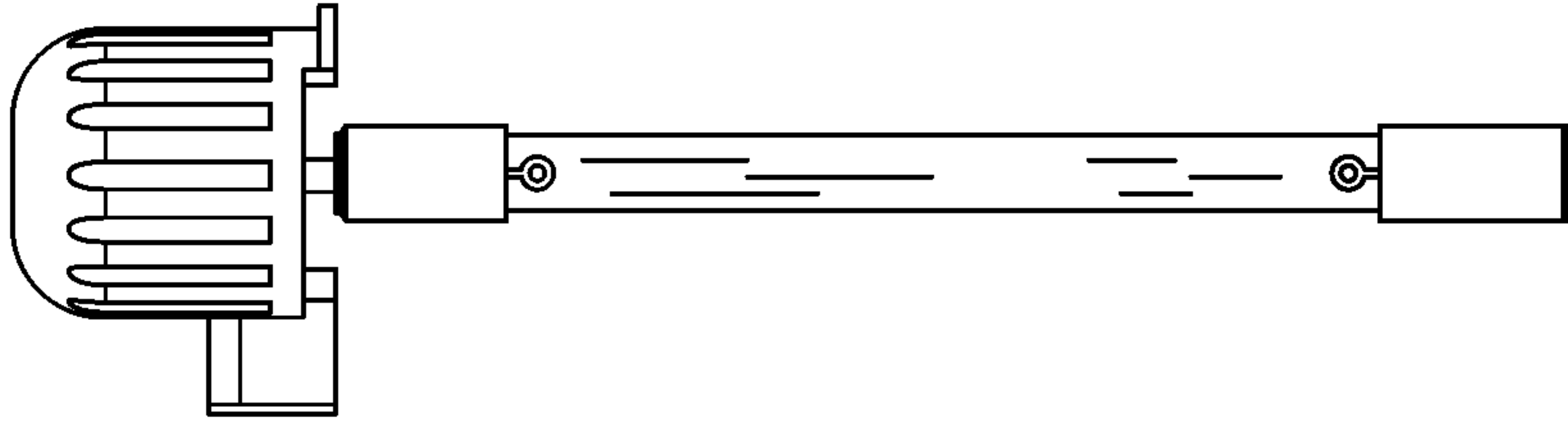


FIG. 12

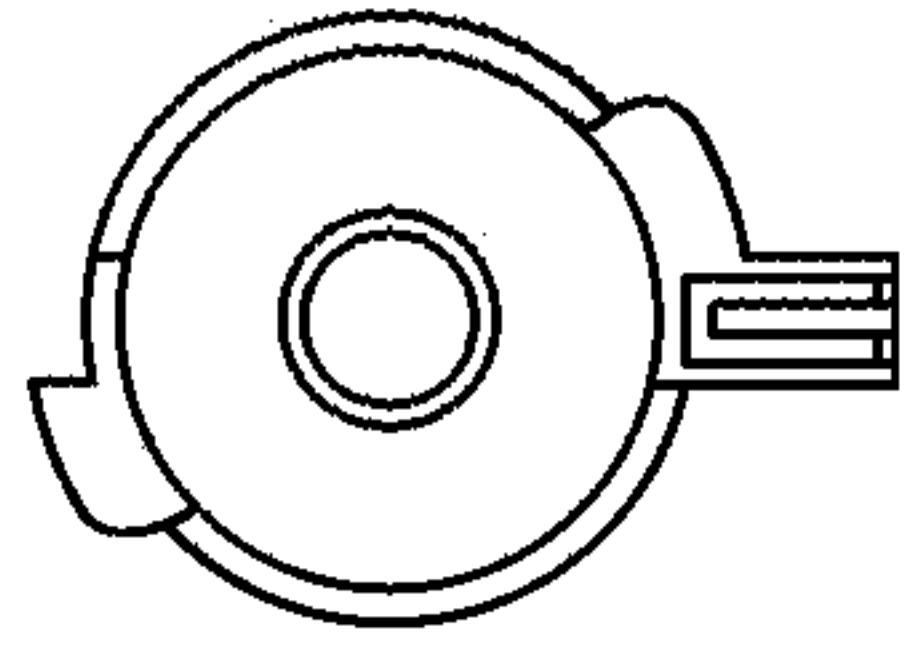


FIG. 13

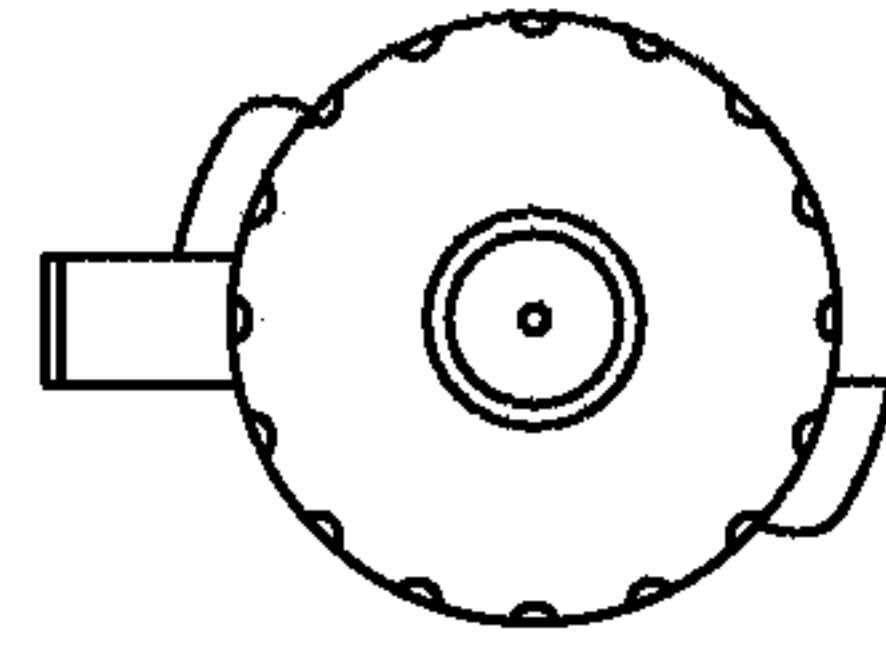


FIG. 14

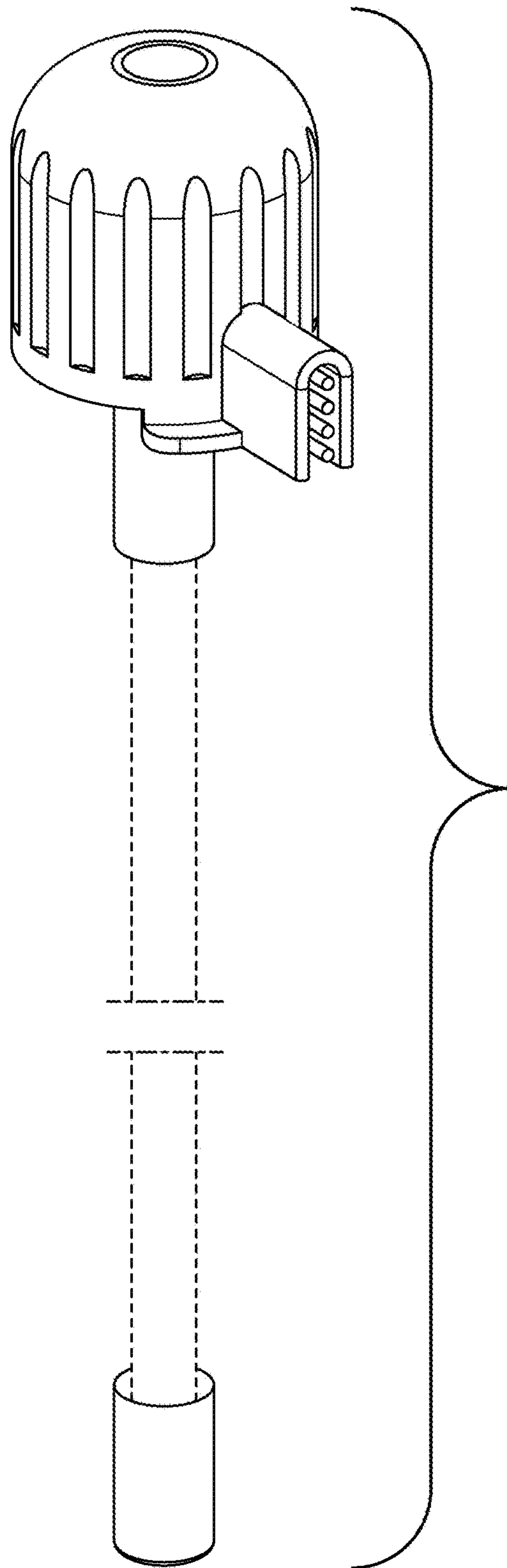


FIG. 15

