



US00D787079S

(12) **United States Design Patent**
Yoo

(10) **Patent No.:** **US D787,079 S**
(45) **Date of Patent:** **** May 16, 2017**

(54) **HEATING MOXA CAUTERY APPARATUS**

(71) Applicant: **Tae Woo Yoo**, Chungcheongnam-do (KR)

(72) Inventor: **Tae Woo Yoo**, Chungcheongnam-do (KR)

(**) Term: **15 Years**

(21) Appl. No.: **29/548,717**

(22) Filed: **Dec. 16, 2015**

(51) **LOC (10) Cl.** **24-99**

(52) **U.S. Cl.**
USPC **D24/200**

(58) **Field of Classification Search**
USPC D24/144, 188, 200, 206, 214
CPC ... A61B 18/06; A61B 18/04; A61B 2018/064; Y10T 156/1911; A61F 7/00; A61F 7/03; A61F 7/034; A61F 2007/0001; A61F 2007/0024; A61F 2007/0025; A61F 2007/0026; A61F 2007/0027; A61F 2007/0029; A61F 2007/0036; A61F 2007/0037; A61F 2007/0038; A61F 2007/0039; A61F 2007/0041; A61F 2007/0043; A61M 5/425; A61M 5/46; A61H 39/02; A61H 39/06
See application file for complete search history.

(56) **References Cited**

U.S. PATENT DOCUMENTS

3,946,733 A * 3/1976 Han A61B 18/06
126/15 A
5,948,506 A * 9/1999 Yoo A61B 18/06
428/137

D422,711 S * 4/2000 Park D24/200
6,299,955 B1 * 10/2001 Yoo B32B 7/06
428/137
6,444,078 B1 * 9/2002 Yoo A61F 7/034
156/256

FOREIGN PATENT DOCUMENTS

CN 303290380 * 12/2014

* cited by examiner

Primary Examiner — Wan Laymon

(74) *Attorney, Agent, or Firm* — Richard M. Goldberg

(57) **CLAIM**

The ornamental design for a heating moxa cautery apparatus, as shown and described.

DESCRIPTION

FIG. 1 is a perspective view of the heating moxa cautery apparatus of my design;
FIG. 2 is a front elevational view thereof;
FIG. 3 is a rear elevational view thereof;
FIG. 4 is a left side elevational view thereof, with the right side elevational view being a mirror image thereof;
FIG. 5 is a top plan view thereof;
FIG. 6 is a bottom plan view thereof;
FIG. 7 is a cross-sectional view thereof, taken along line 7-7 of FIG. 5; and,
FIG. 8 is a perspective view of a plurality of the design of FIG. 1, showing a state of attachment on a the skin of a person's hand.

The broken lines in FIG. 8 are included for the purpose of illustrating portions of the heating moxa cautery apparatus and form no part of the claimed design.

1 Claim, 8 Drawing Sheets

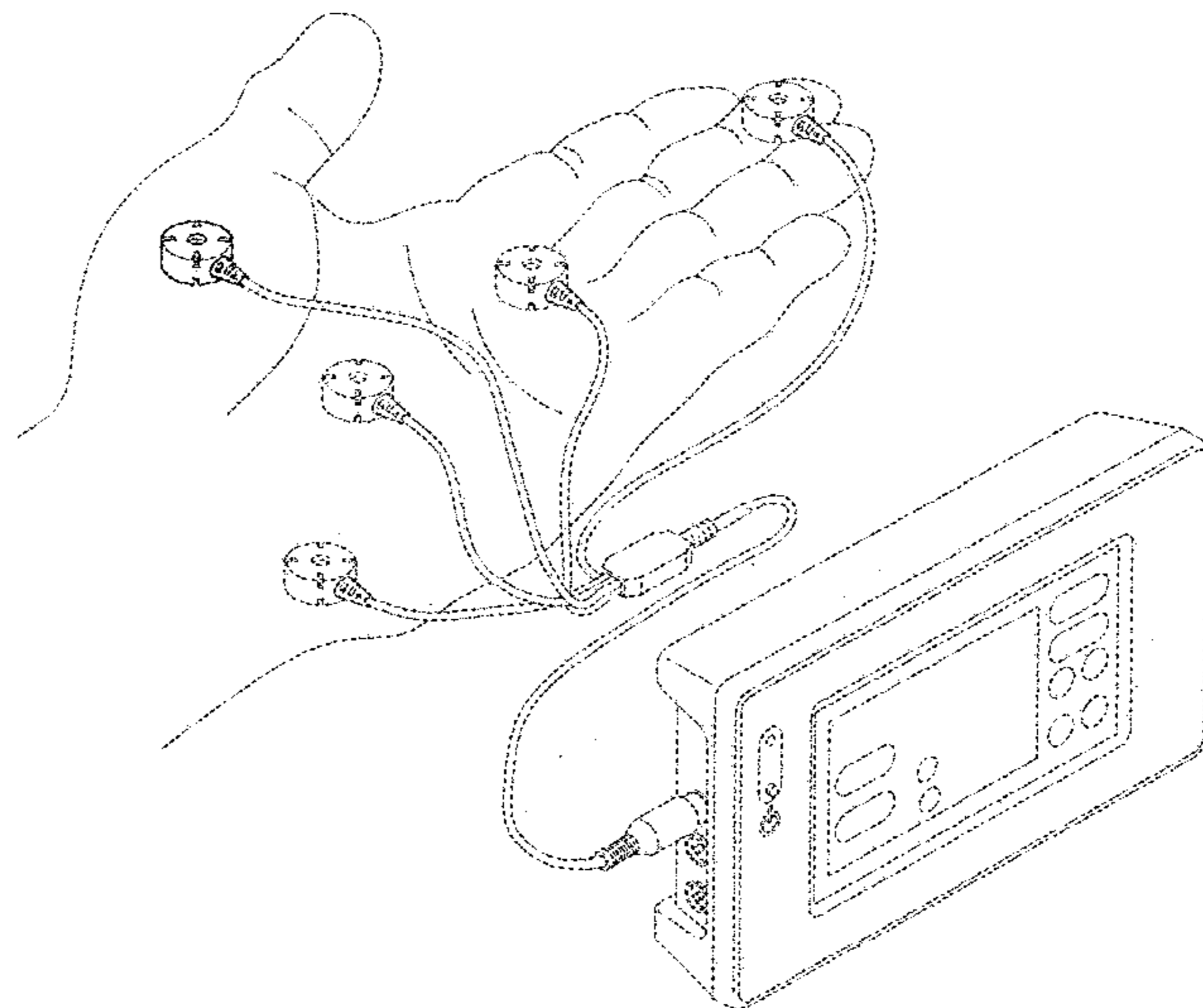
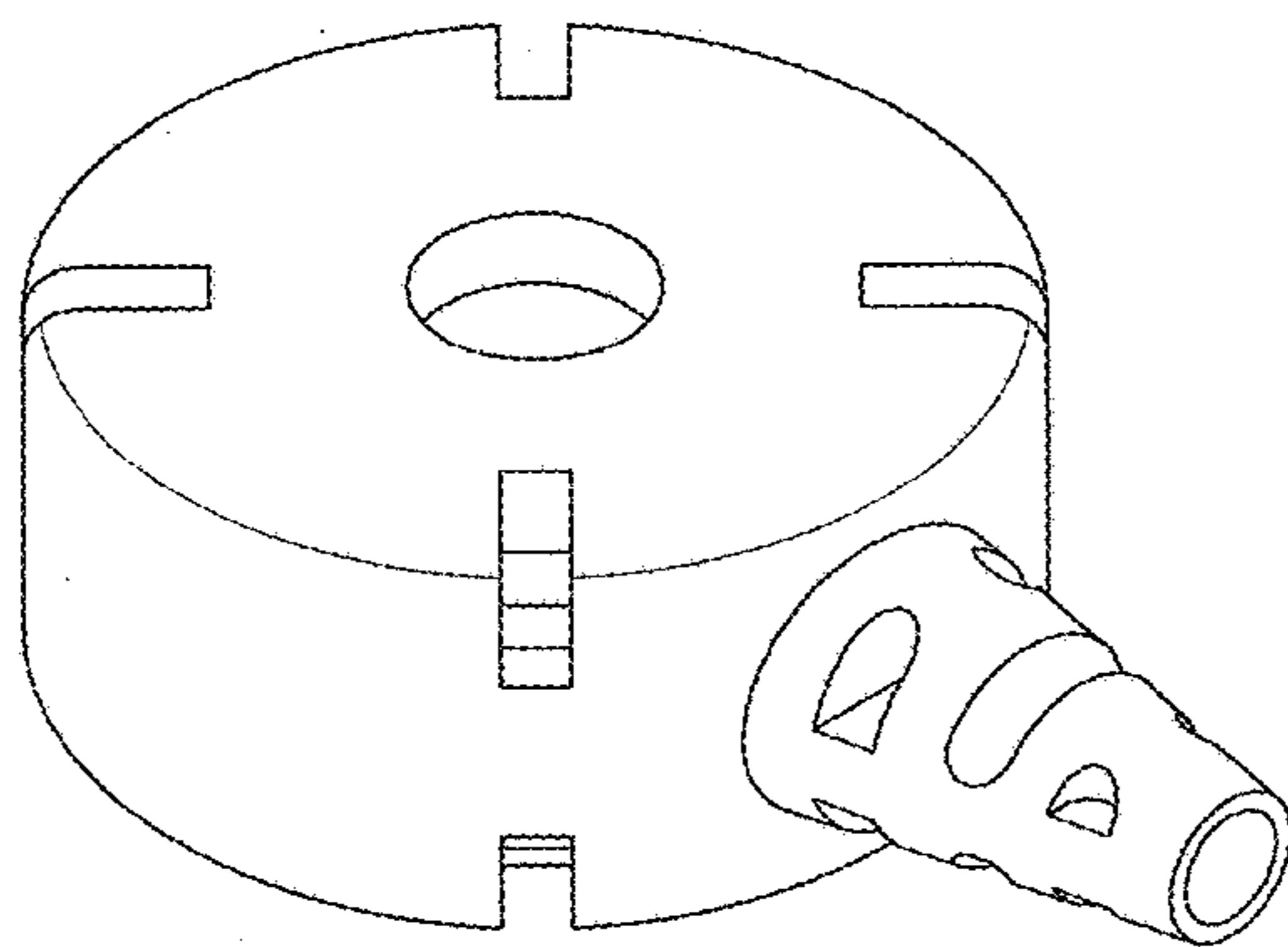


FIG. 1

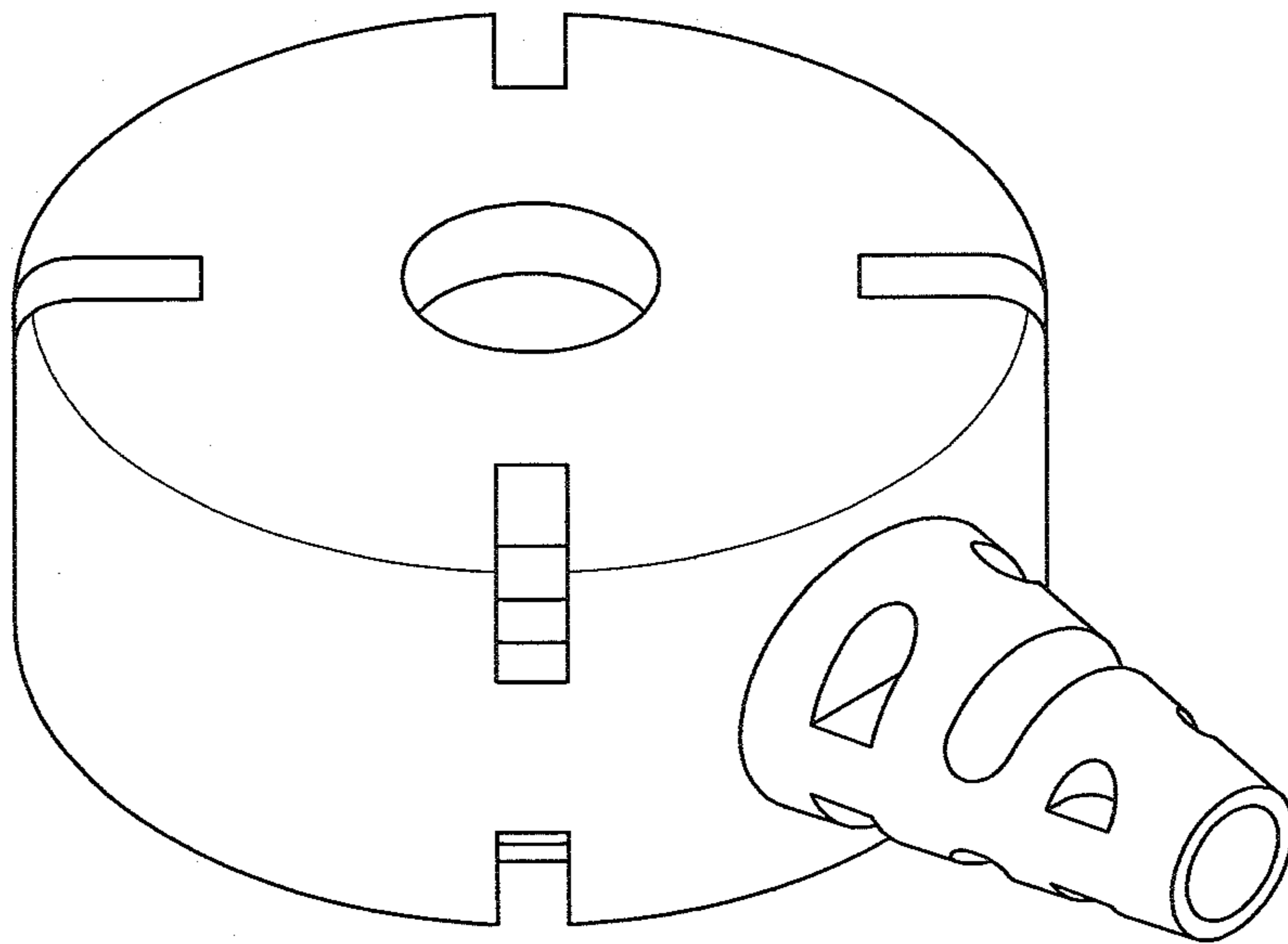


FIG. 2

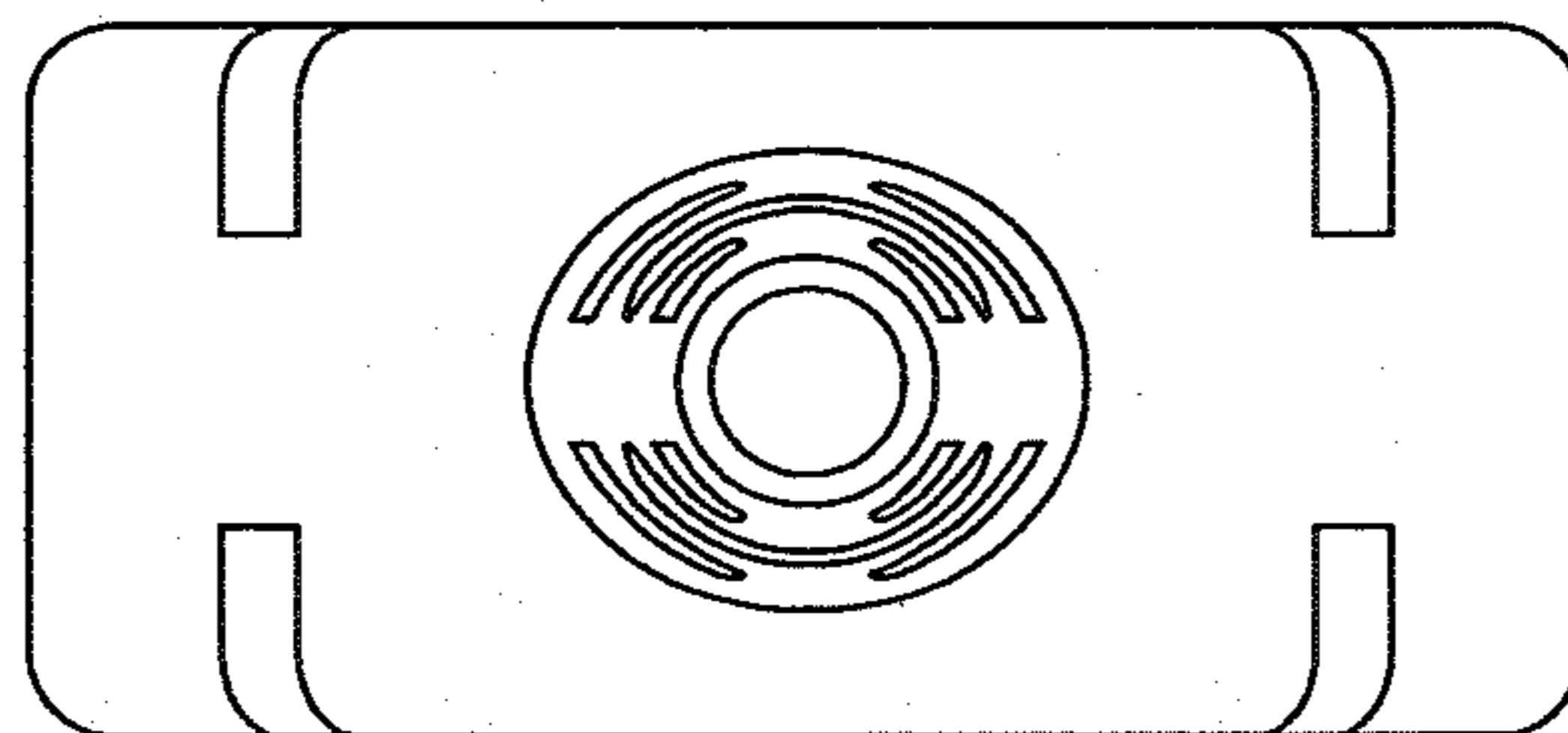


FIG. 3

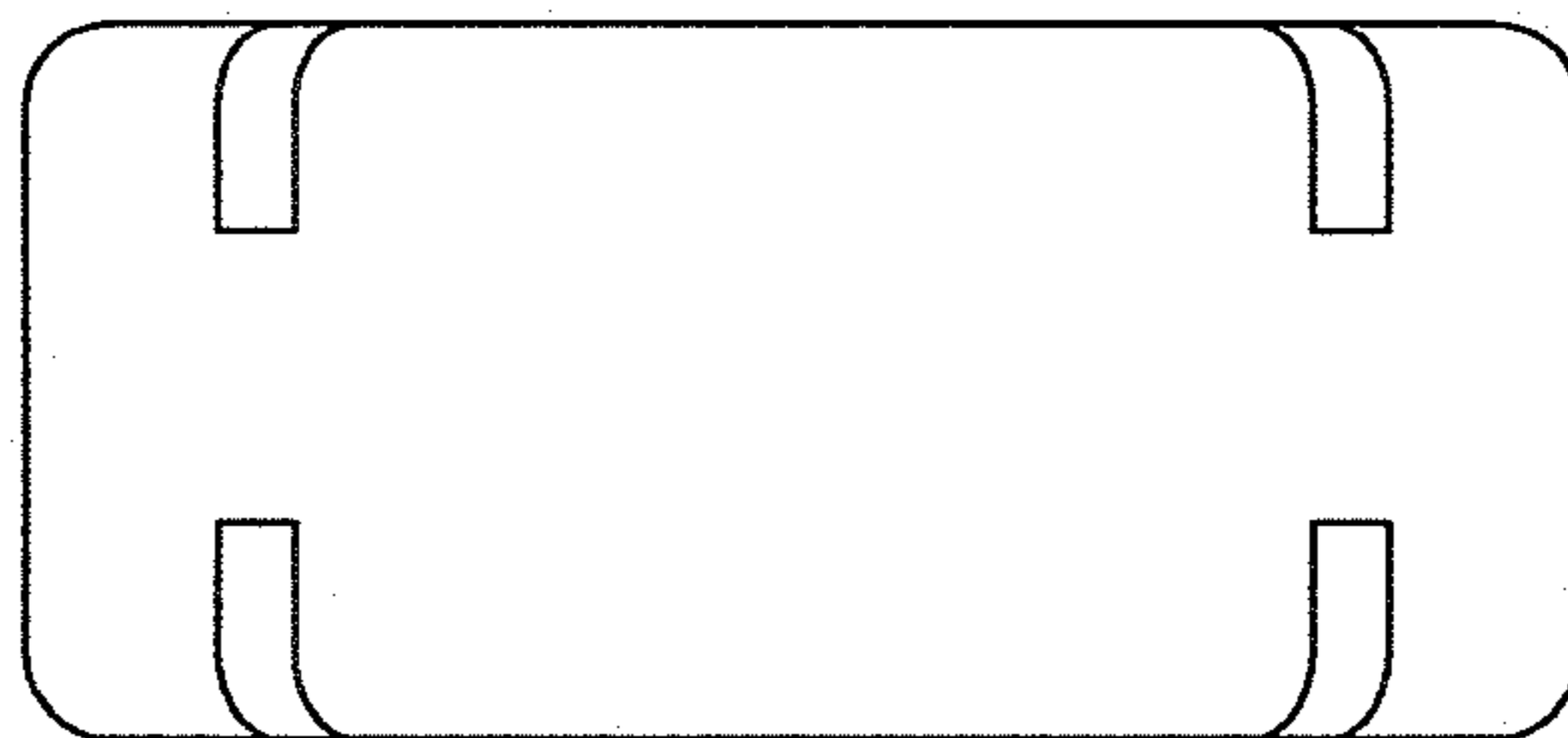


FIG. 4

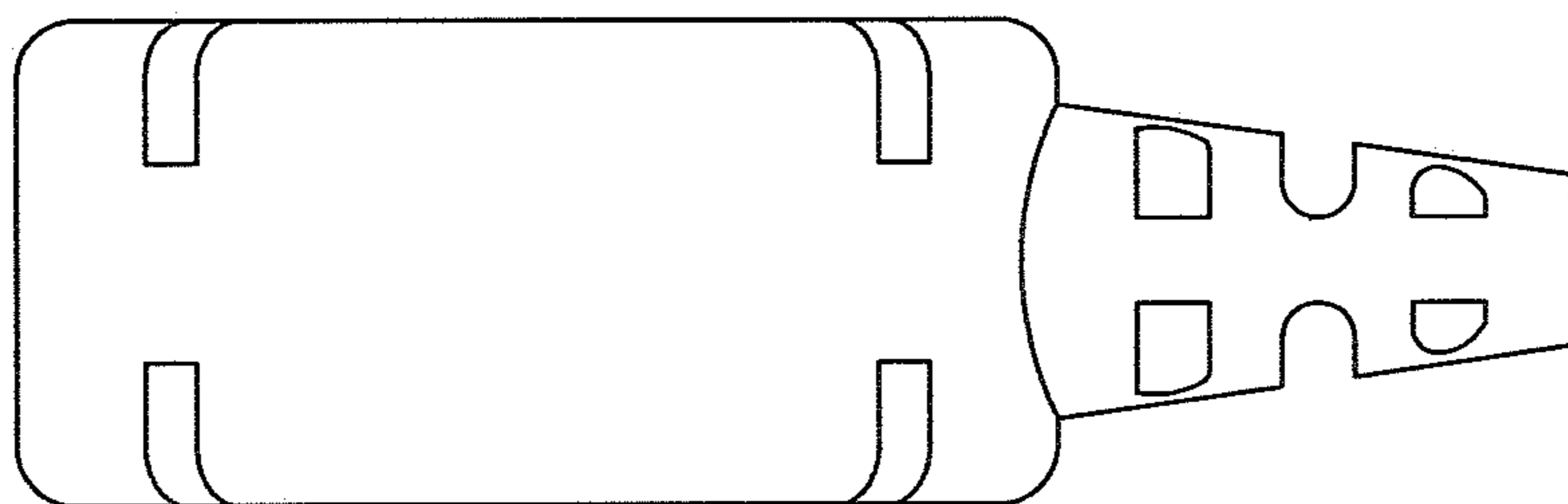


FIG. 5

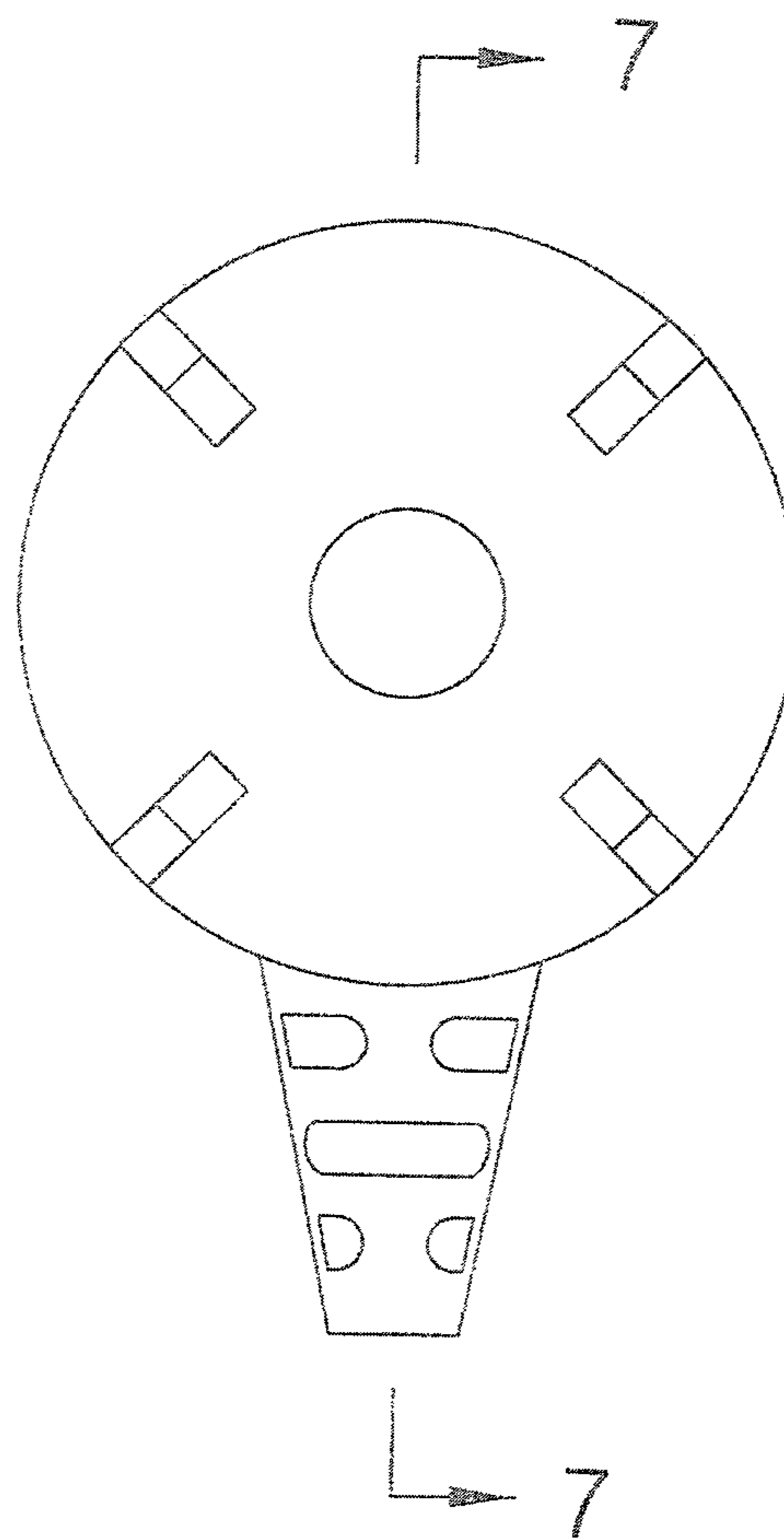


FIG. 6

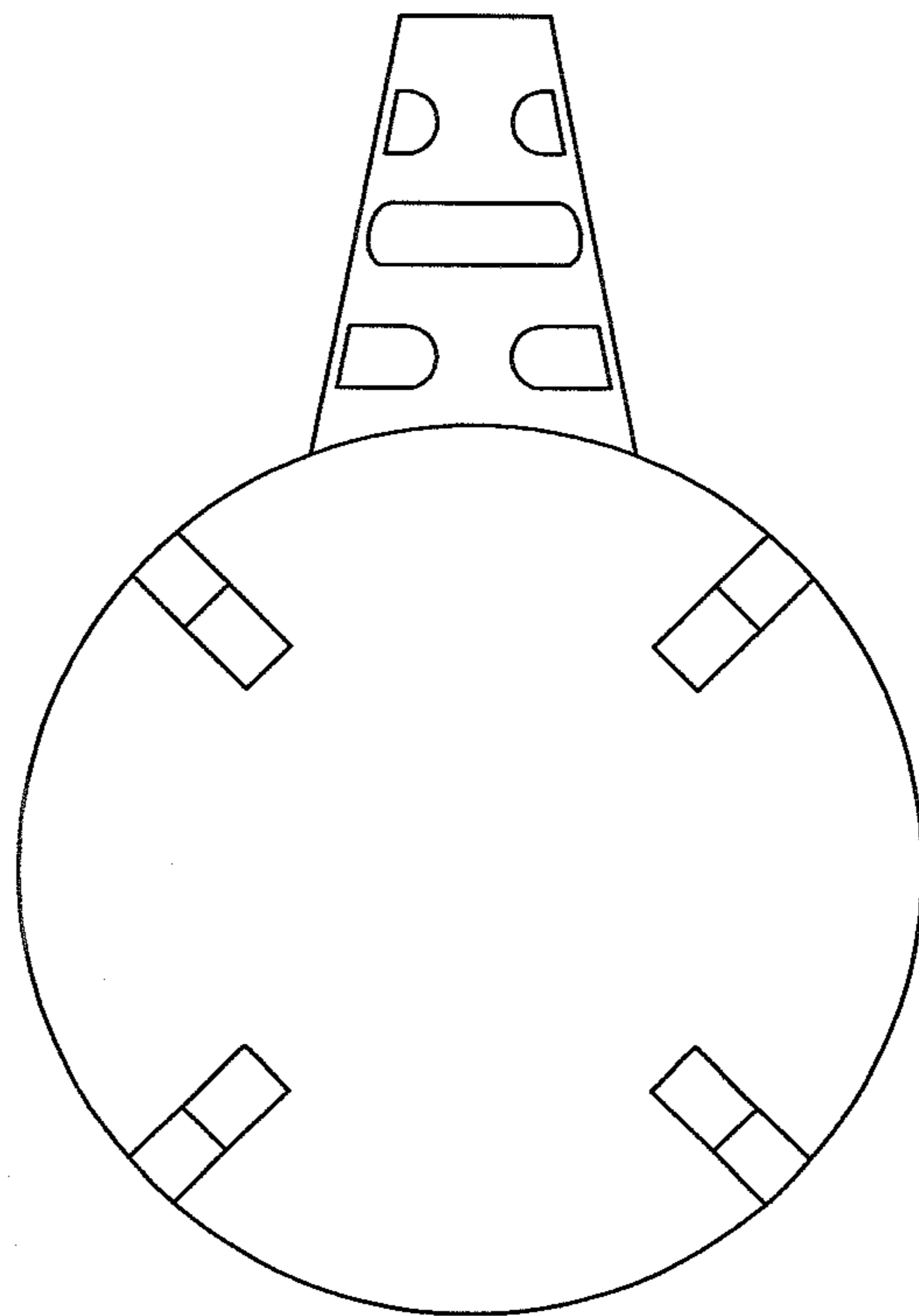


FIG. 7

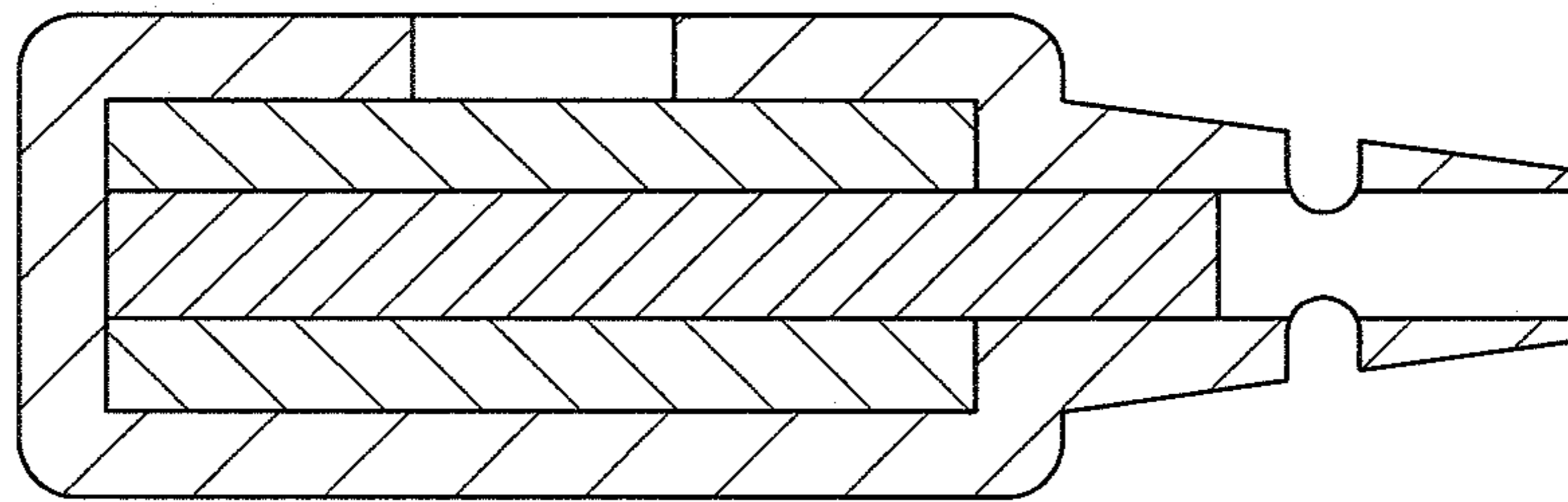


FIG. 8

