



US00D787076S

(12) **United States Design Patent**
Siddiqui et al.

(10) **Patent No.:** **US D787,076 S**

(45) **Date of Patent:** **** May 16, 2017**

(54) **ORTHOTIC DEVICE**

(71) Applicant: **VISION QUEST INDUSTRIES INCORPORATED**, Irvine, CA (US)

(72) Inventors: **Masood Siddiqui**, Irvine, CA (US);
Michael S. Skahan, Ramona, CA (US);
Kevin R. Lunau, Valley Center, CA (US)

(73) Assignee: **VISION QUEST INDUSTRIES INCORPORATED**, Irvine, CA (US)

(**) Term: **14 Years**

(21) Appl. No.: **29/524,253**

(22) Filed: **Apr. 17, 2015**

(51) **LOC (10) Cl.** **24-04**

(52) **U.S. Cl.**
USPC **D24/190**

(58) **Field of Classification Search**
USPC D24/190, 192; D29/121.1
CPC A61F 5/0123; A61F 5/0125; A61F
2005/0139; A61F 2005/0176
See application file for complete search history.

(56) **References Cited**

U.S. PATENT DOCUMENTS

4,005,506	A	2/1977	Moore	
4,830,413	A	5/1989	Bisbing	
5,226,875	A *	7/1993	Johnson	A61F 5/0111 36/114
5,277,698	A	1/1994	Taylor	
5,356,370	A	10/1994	Fleming	
5,662,596	A *	9/1997	Young	A61F 5/0123 602/16
5,836,902	A *	11/1998	Gray	A61F 5/0111 128/882
D473,654	S *	4/2003	Iglesias	D24/192
6,971,996	B2 *	12/2005	Houser	A61F 5/0123 128/882

D527,825	S	9/2006	Ingimundarson	
D529,180	S	9/2006	Ingimundarson	
7,117,569	B2 *	10/2006	Bledsoe	A41F 1/008 24/593.11
D558,884	S *	1/2008	Ingimundarson	D24/190
D577,828	S *	9/2008	Ingimundarson	D24/190
7,481,785	B2 *	1/2009	Turrini	A61F 5/0123 128/869
7,500,957	B2	3/2009	Bledsoe	
7,758,527	B2 *	7/2010	Gilmour	A61F 5/0106 602/23
7,867,183	B2 *	1/2011	Kazmierczak	A61F 5/0123 602/23
D665,505	S *	8/2012	Lee	D24/190
8,241,234	B2	8/2012	Ingimundarson et al.	
8,257,293	B2	9/2012	Ingimundarson et al.	

(Continued)

Primary Examiner — George D Kirschbaum

Assistant Examiner — Jennifer Watkins

(74) *Attorney, Agent, or Firm* — Lawrence N. Ginsberg

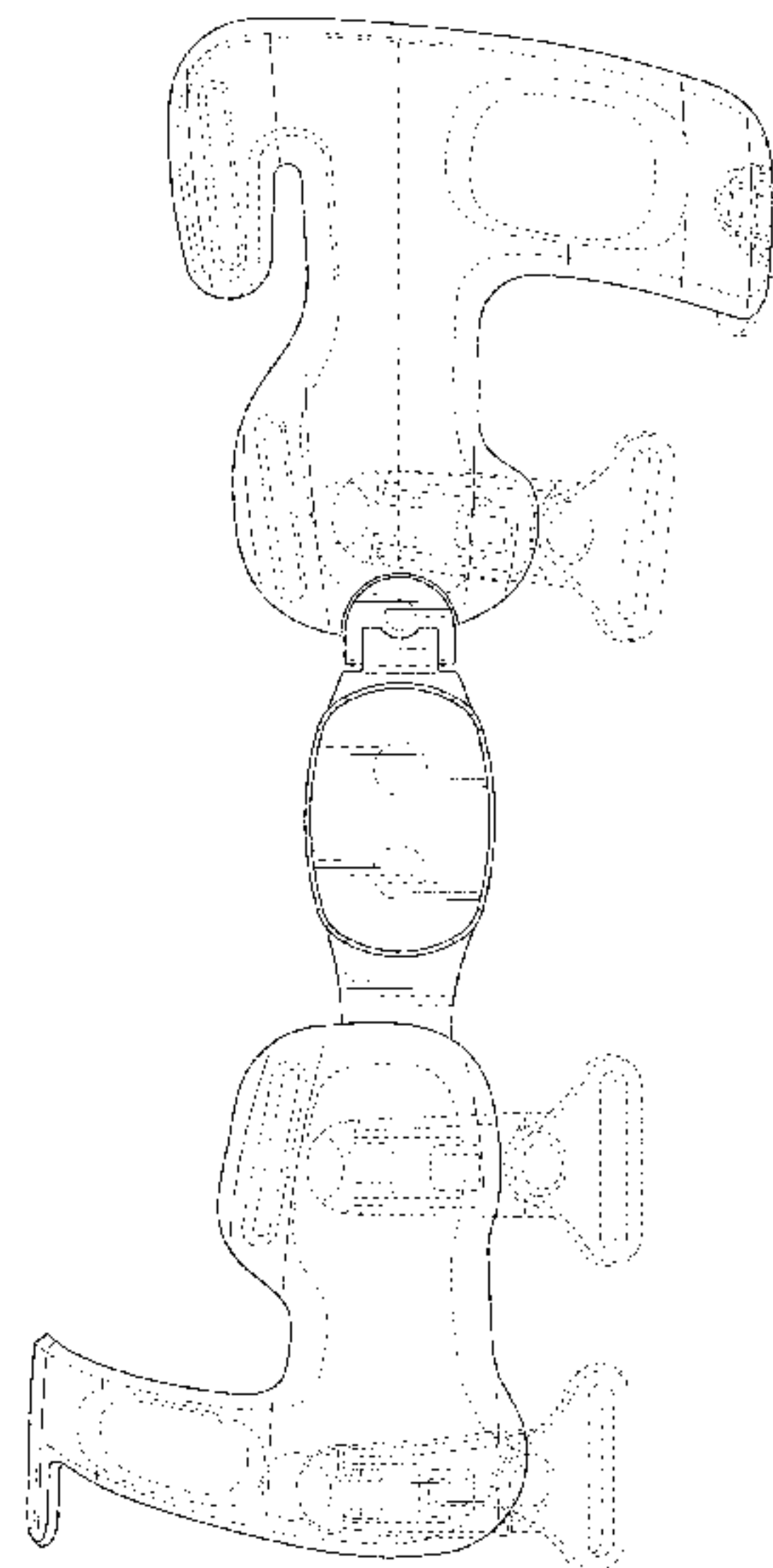
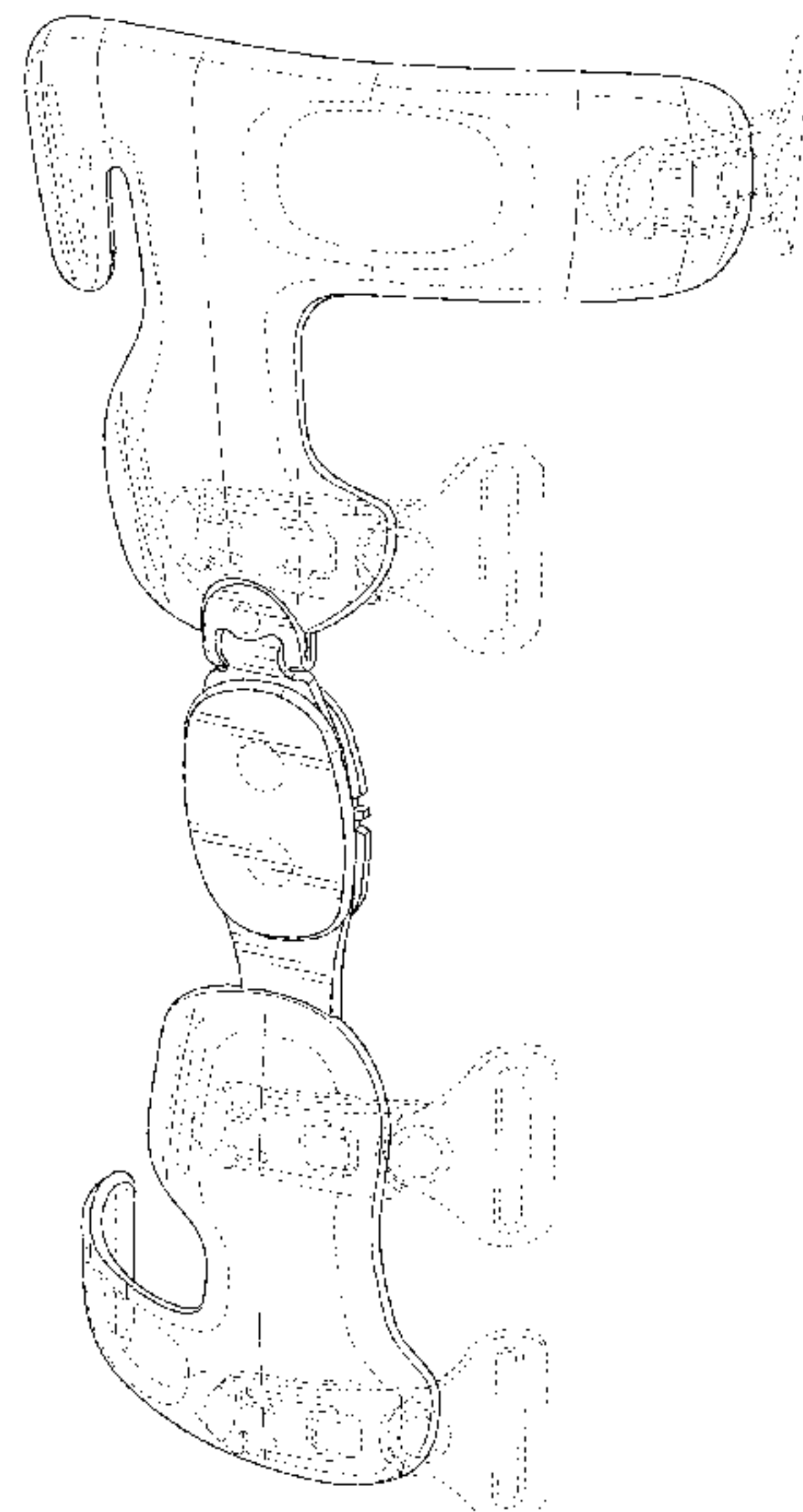
(57) **CLAIM**

The ornamental design for an orthotic device, as shown and described.

DESCRIPTION

FIG. 1 is a top perspective view of an orthotic device, showing our new design;
FIG. 2 is a front elevational view thereof;
FIG. 3 is a rear elevational view thereof;
FIG. 4 is a right side elevational view thereof;
FIG. 5 is a left side elevational view thereof;
FIG. 6 is a top plan view thereof; and,
FIG. 7 is a bottom plan view thereof.
The broken line illustrating fasteners attached to the front of the article is for the purpose of illustrating environment and forms no part of the claim. The broken line showing of an orthotic device is for the purpose of illustrating portions of the article and forms no part of the claim.

1 Claim, 6 Drawing Sheets



(56)

References Cited

U.S. PATENT DOCUMENTS

8,740,829 B2 * 6/2014 Lee 602/16
D744,111 S * 11/2015 Dunn D24/192
2007/0213648 A1 * 9/2007 Ferrigolo A61F 5/0123
602/26
2009/0287128 A1 * 11/2009 Ingimundarson A61F 5/0111
602/27

* cited by examiner

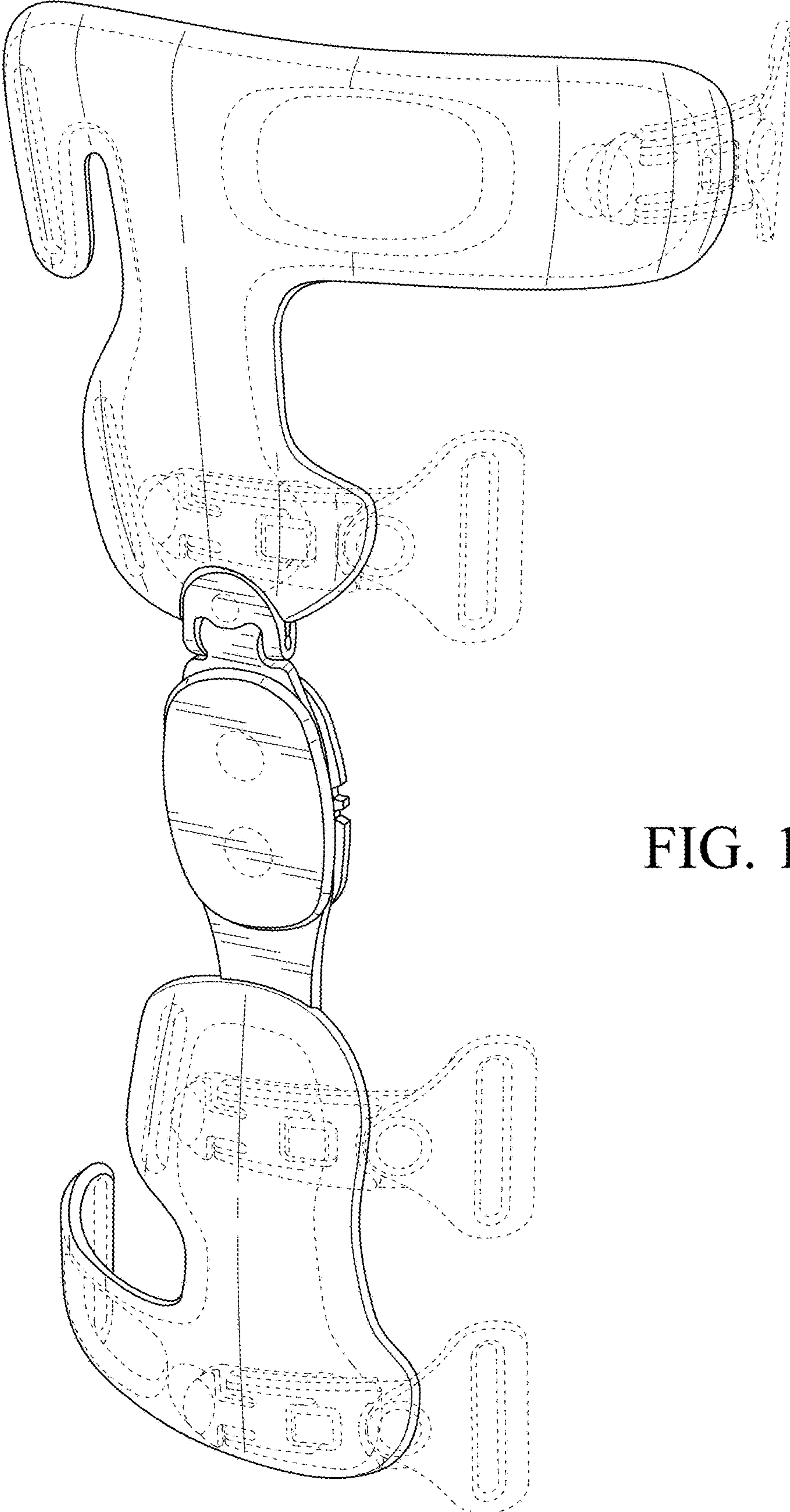


FIG. 1

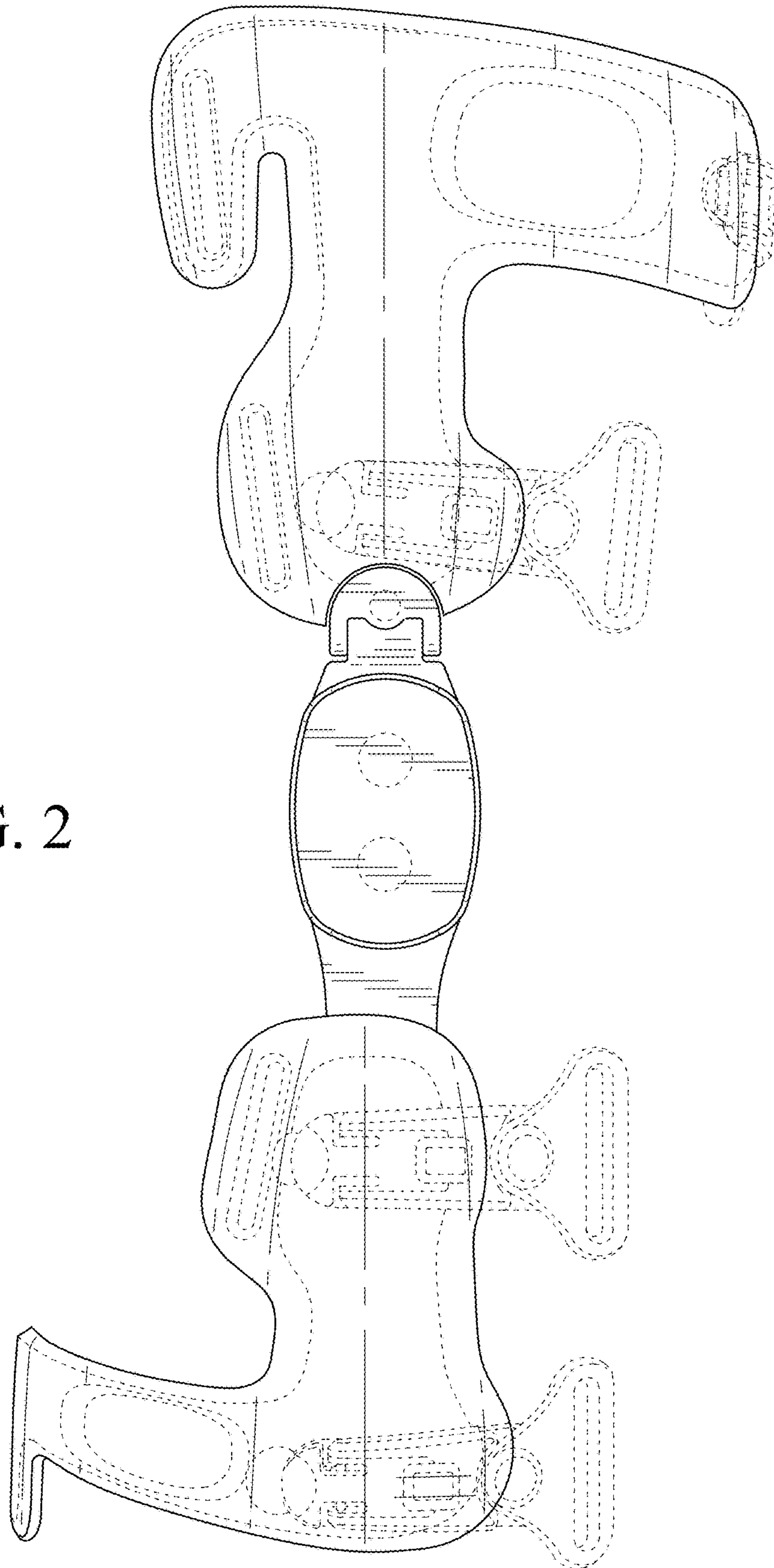


FIG. 2

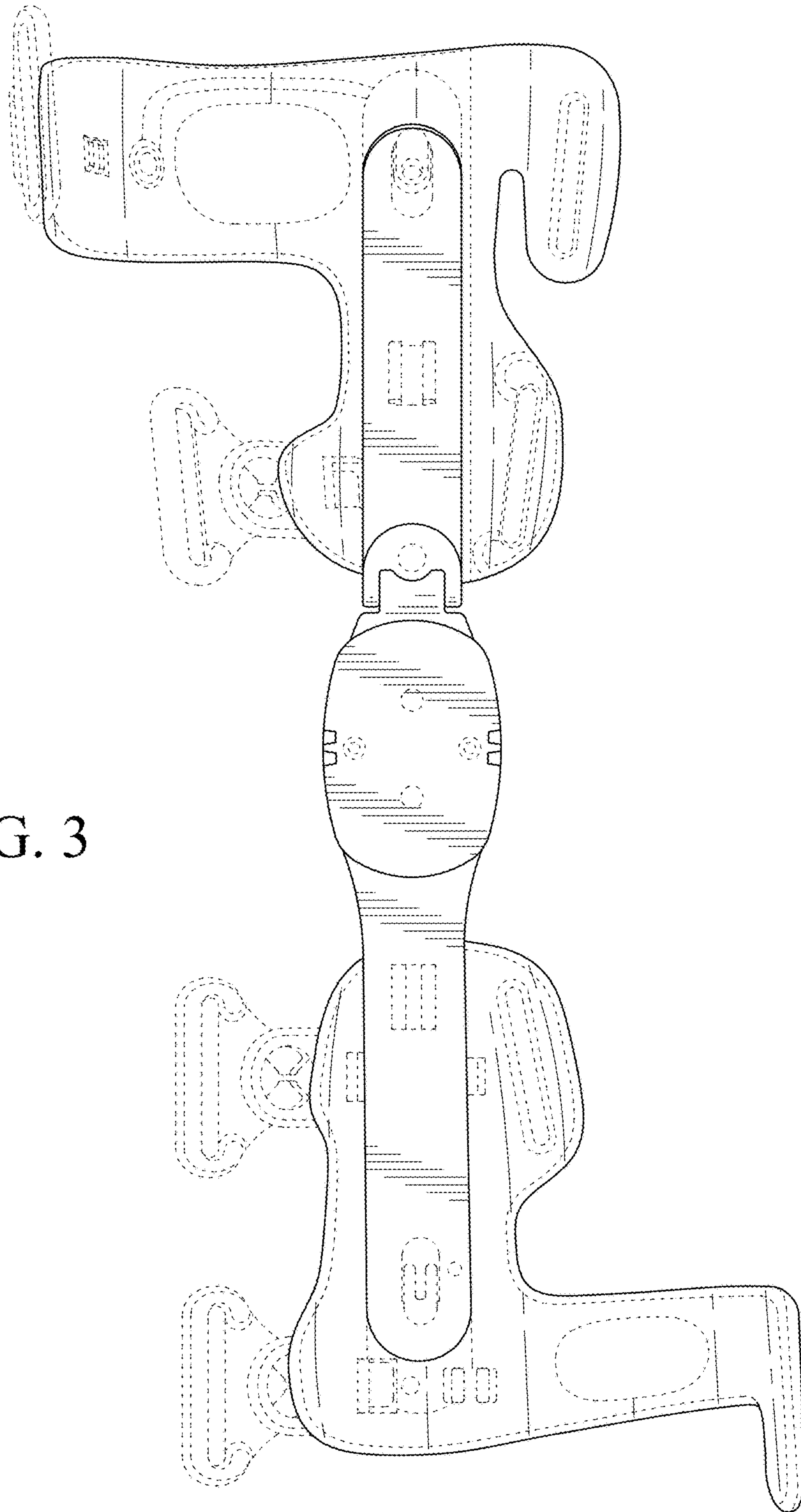


FIG. 3

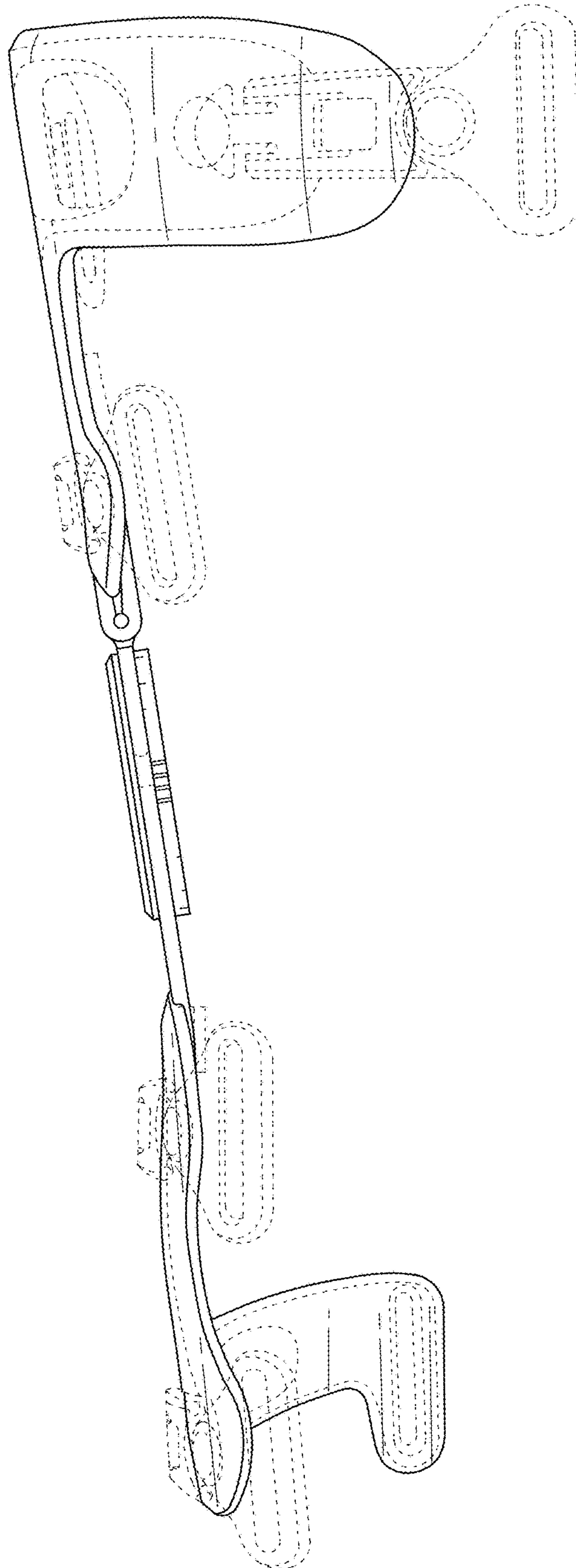


FIG. 4

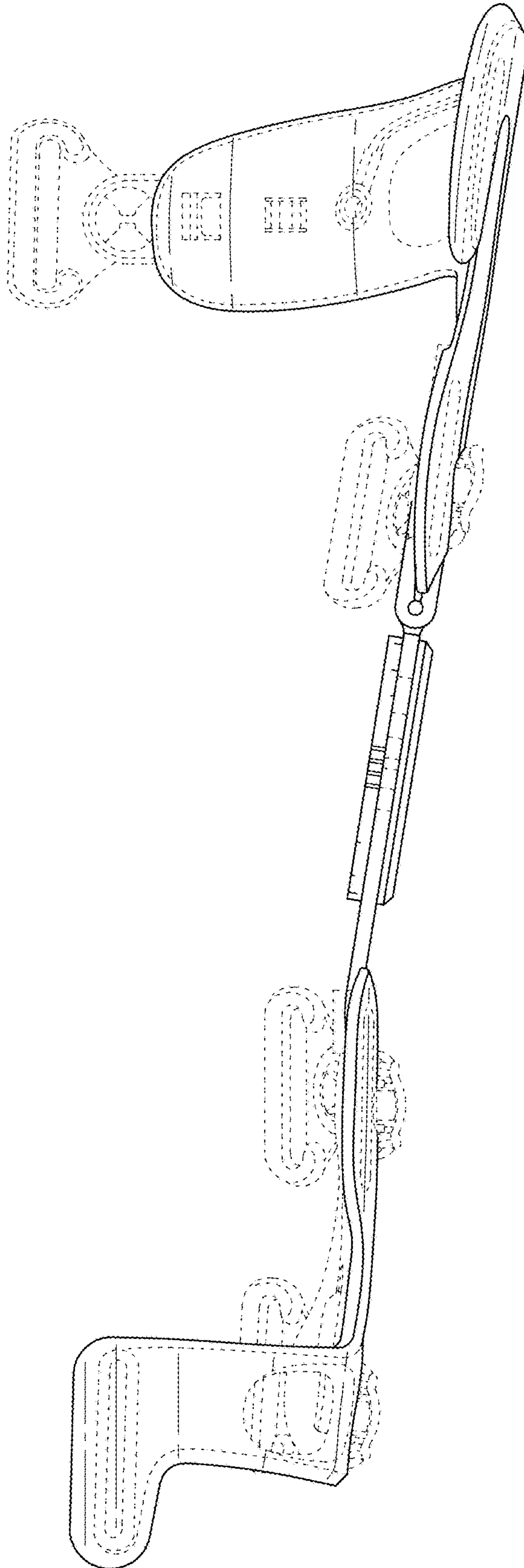


FIG. 5

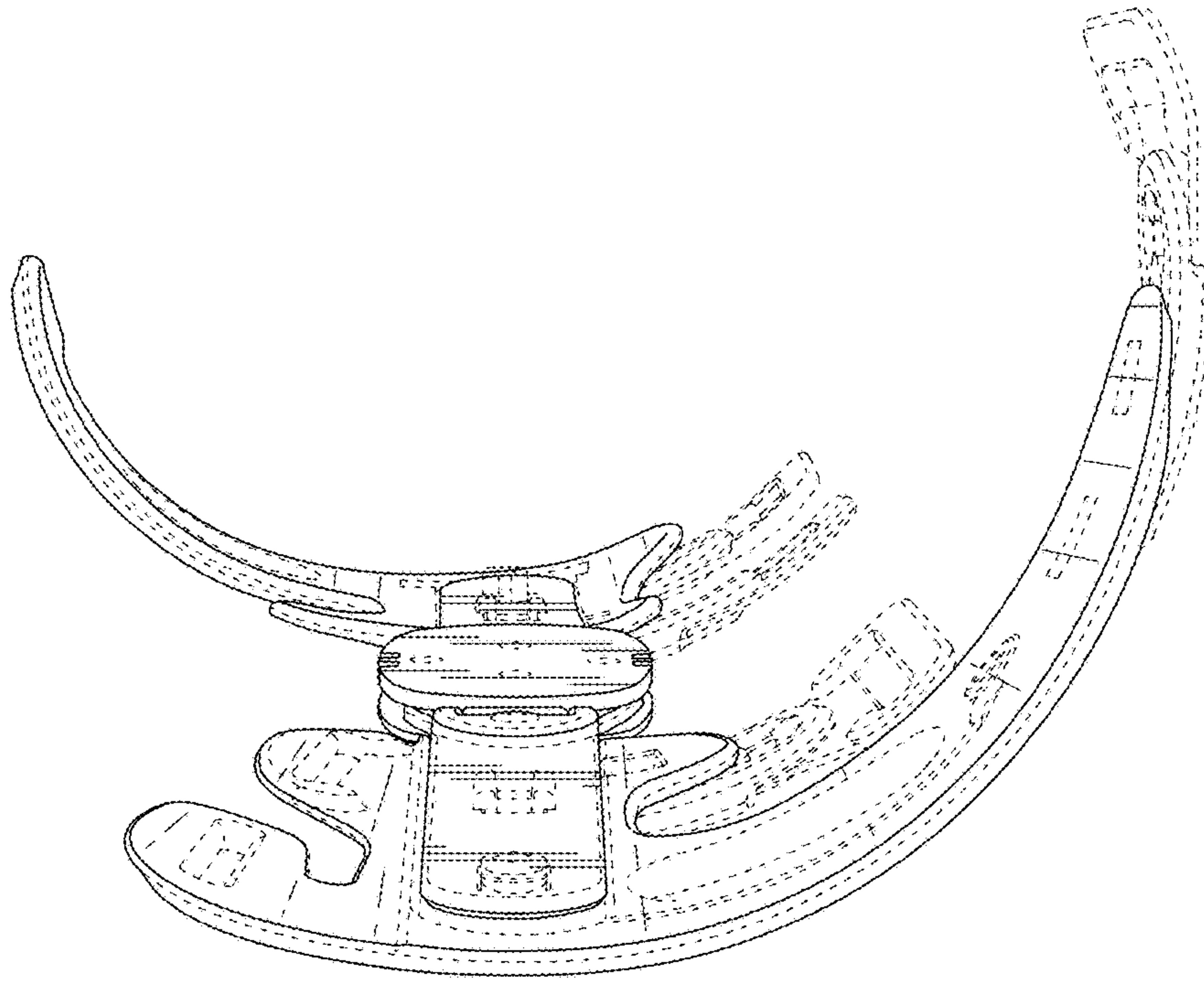


FIG. 6

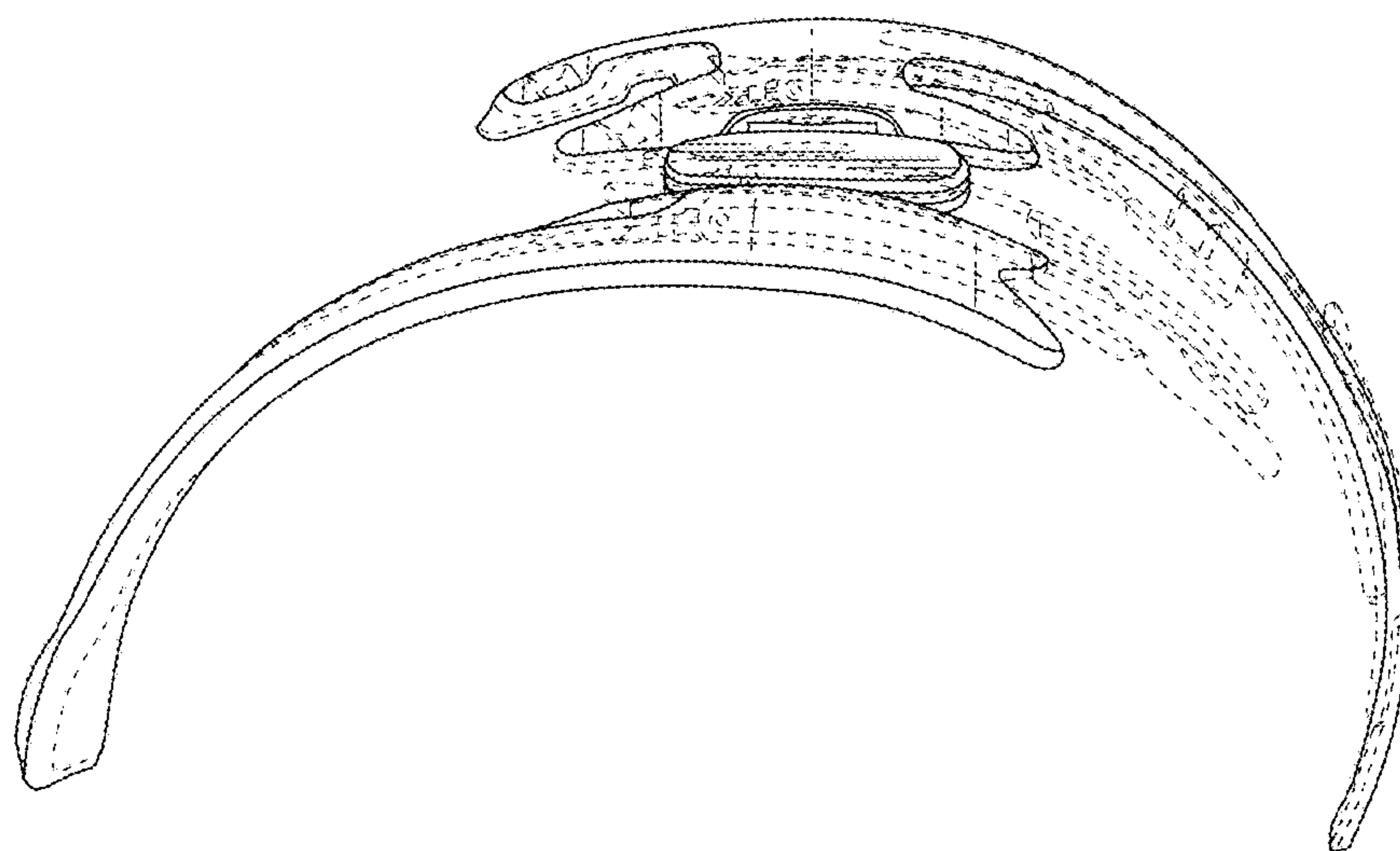


FIG. 7