



US00D787072S

(12) **United States Design Patent**
Pryce-Jones et al.

(10) **Patent No.:** **US D787,072 S**
(45) **Date of Patent:** **** May 16, 2017**

(54) **PHYSICAL THERAPY APPARATUS**

(71) Applicants: **Yako Merogi**, Woodbridge (CA); **Hivi Merogi**, Vaughan (CA); **Medlum Merogi**, Vaughan (CA)

(72) Inventors: **Richard Pryce-Jones**, Toronto (CA); **Tyler Abbey**, Toronto (CA); **Marc Varone**, Aurora (CA); **Chris Souto**, Toronto (CA)

(73) Assignees: **Yako Merogi**, Woodbridge (CA); **Hivi Merogi**, Woodbridge (CA)

(**) Term: **15 Years**

(21) Appl. No.: **29/537,048**

(22) Filed: **Aug. 21, 2015**

(51) **LOC (10) Cl.** **24-01**

(52) **U.S. Cl.**

USPC **D24/183**

(58) **Field of Classification Search**

USPC D24/183-184, 200, 171, 159; D6/382, D6/718, 367, 336, 361, 601, 604; 5/621, 5/630, 632-633, 600, 617-618, 620; 601/23-24, 98, 146; 482/134, 137, 140, 482/142; D21/686-691

CPC A63B 21/00047; A63B 23/0233; A63B 21/4037; A63B 21/0004; A63B 21/0552; A63B 23/0458; A63B 17/00; A63B 22/16; A61H 1/0292; A61B 6/0421; A47C 20/027; A47C 20/021; A47C 17/045; A47C 16/02

See application file for complete search history.

(56) **References Cited**

U.S. PATENT DOCUMENTS

1,904,039 A 4/1933 Bruder
3,747,916 A 7/1973 Benson

(Continued)

FOREIGN PATENT DOCUMENTS

JP 10137095 A 5/1998
JP 2001252164 A 9/2001
JP 2006141931 A 6/2006

OTHER PUBLICATIONS

Sooth-A-Ciser by Contour Products, made public on May 22, 2008 (May 22, 2008), date per Google "Wayback Machine" reference. <URL: <http://www.contourliving.com/p-108-sooth-a-ciser-cushion.aspx>>.

(Continued)

Primary Examiner — Celia Murphy

Assistant Examiner — Mark Cavanna

(74) *Attorney, Agent, or Firm* — Santosh K. Chari; Blake, Cassels & Graydon LLP

(57) **CLAIM**

The ornamental design for a physical therapy apparatus, substantially as shown and described.

DESCRIPTION

FIG. 1 is a front left perspective view of a physical therapy apparatus according to an embodiment of the design.

FIG. 2 is a front right perspective view of the design of FIG. 1.

FIG. 3 is a rear right perspective view of the design of FIG. 1.

FIG. 4 is a rear left perspective view of the design of FIG. 1.

FIG. 5 is a front end view of the design of FIG. 1.

FIG. 6 is a rear end view of the design of FIG. 1.

FIG. 7 is a right side view of the design of FIG. 1.

FIG. 8 is a left side view of the design of FIG. 1.

FIG. 9 is a top view of the design of FIG. 1.

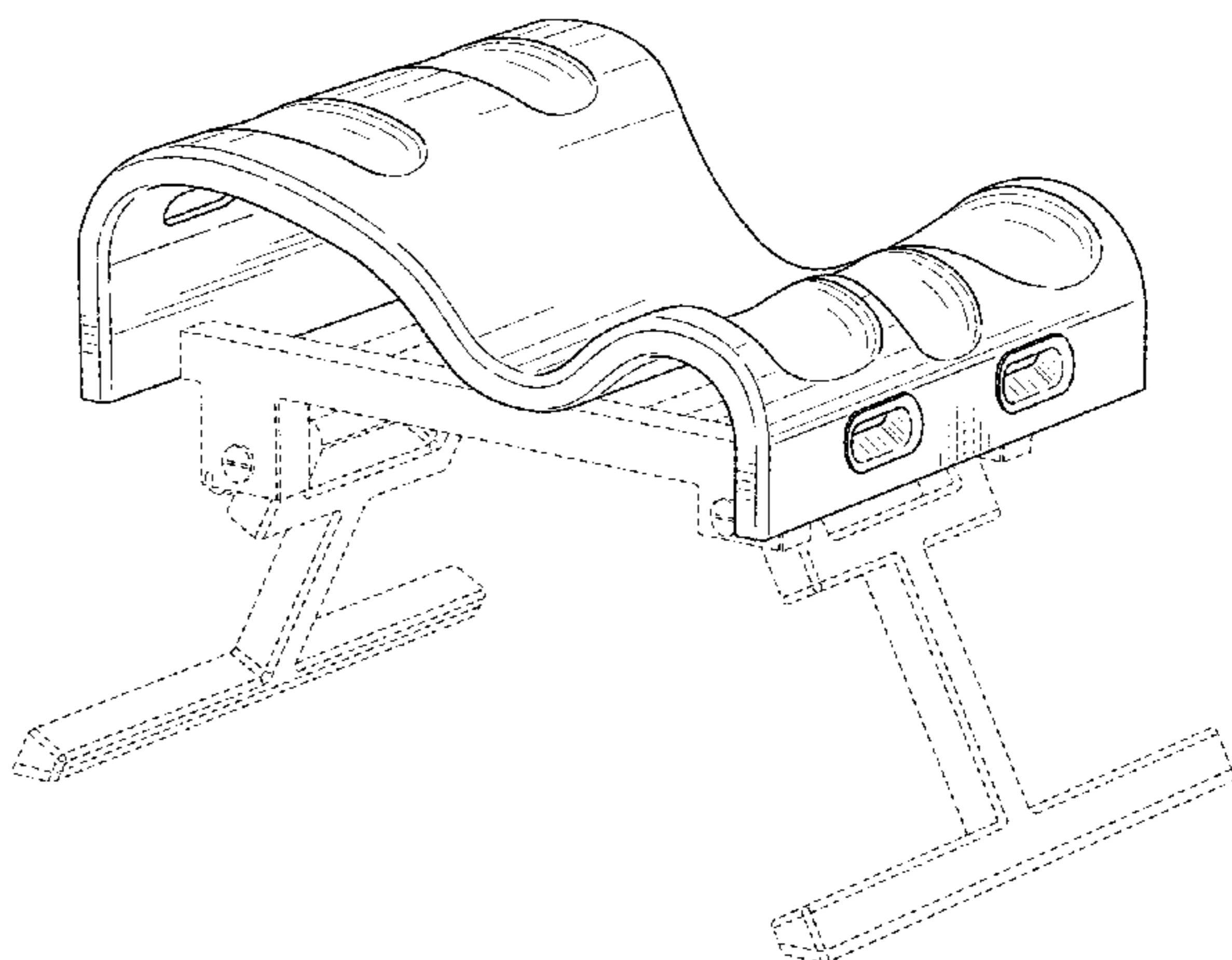
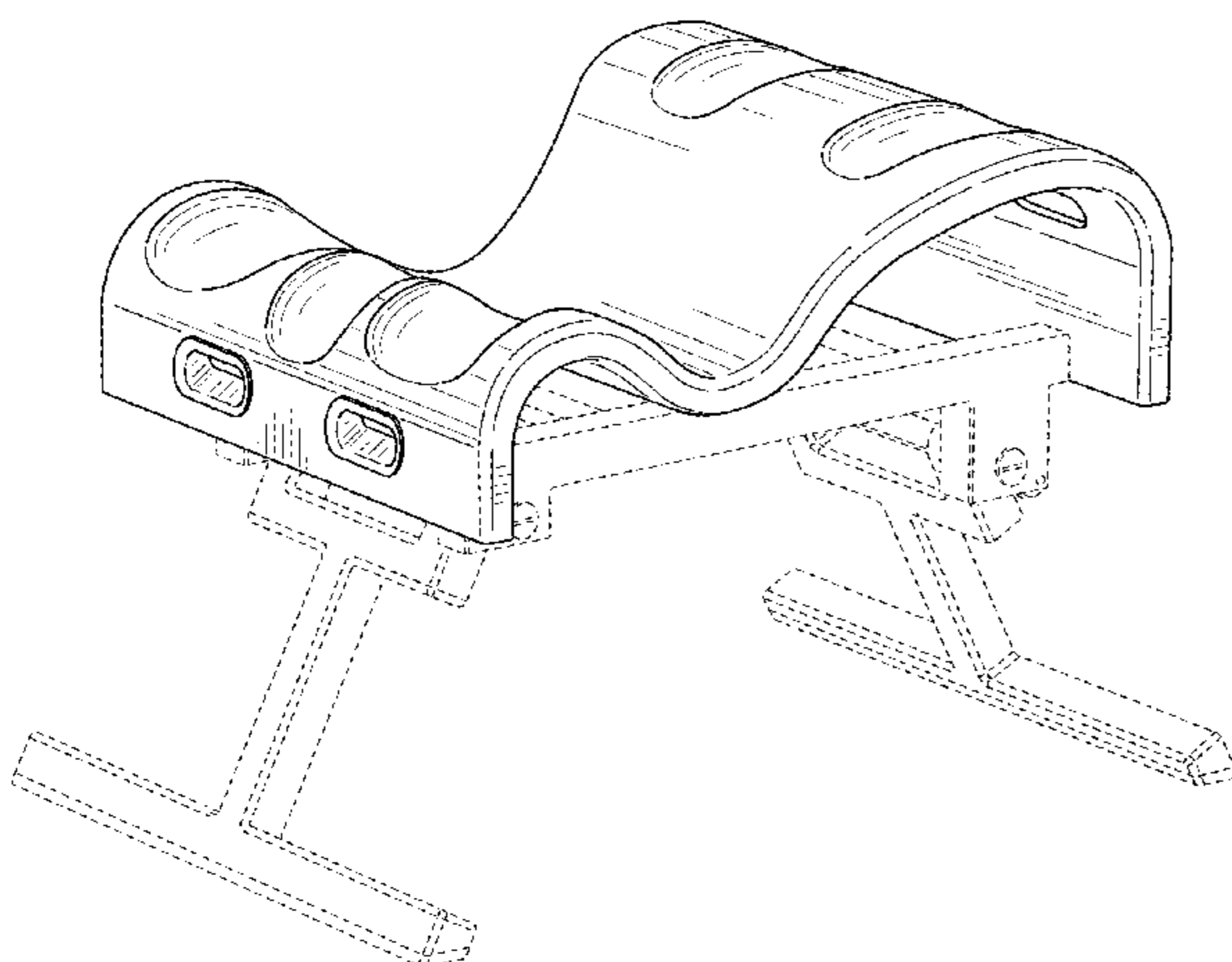
FIG. 10 is a bottom view of the design of FIG. 1.

FIG. 11 is a front right perspective view of the design of FIG. 1 shown in a folded state; and,

FIG. 12 is a right side view of the design of FIG. 1 shown in a folded state.

The broken lines are included for the purpose of illustrating portions of the physical therapy apparatus that forms no part of the claimed design.

1 Claim, 10 Drawing Sheets



(56)

References Cited

U.S. PATENT DOCUMENTS

4,027,888 A 6/1977 Wilcox
 4,359,245 A 11/1982 Franke
 4,572,578 A 2/1986 Perkins
 4,927,139 A * 5/1990 Taltre A63B 23/0233
 482/142
 4,951,654 A 8/1990 Gambale
 5,070,865 A 12/1991 Iams
 5,100,131 A * 3/1992 Fong A63B 23/025
 482/137
 D353,173 S * 12/1994 Almeda D21/687
 5,474,513 A 12/1995 Carlesimo
 5,722,102 A 3/1998 Summers
 5,795,276 A 8/1998 Almeda
 5,820,573 A 10/1998 Ramos
 5,931,769 A * 8/1999 Nunez A63B 23/0233
 482/140
 6,063,015 A * 5/2000 Johnston A63B 21/00047
 482/142
 D431,617 S * 10/2000 Harley D21/691
 D436,176 S * 1/2001 Fanuzzi D24/183
 D478,138 S * 8/2003 Juliusson D21/690
 6,681,770 B1 1/2004 Dreher
 D487,360 S * 3/2004 Lacina D6/367
 6,725,481 B1 * 4/2004 Marshall A61B 6/0421
 5/621
 D495,510 S * 9/2004 Lacina D6/336
 6,823,545 B1 * 11/2004 Davis A47C 16/02
 5/630

D530,933 S * 10/2006 Vitaro D6/361
 D543,407 S * 5/2007 Thom D6/604
 D553,379 S * 10/2007 Genelli D6/367
 D555,741 S 11/2007 Wachtfogel
 7,452,313 B2 * 11/2008 Endelman A63B 21/4037
 482/142
 D581,995 S * 12/2008 Muramatsu D21/690
 D583,953 S * 12/2008 Genelli D24/183
 D583,954 S * 12/2008 Genelli D24/183
 7,713,182 B2 * 5/2010 Bizzell A63B 23/0458
 482/142
 D627,891 S * 11/2010 Lu D24/183
 D638,945 S * 5/2011 Velasquez D24/183
 8,033,969 B2 * 10/2011 Feltz A63B 22/16
 482/142
 D675,327 S * 1/2013 Lu D24/183
 D745,786 S * 12/2015 Ko D6/361
 D758,100 S * 6/2016 Pham D6/601
 D763,371 S * 8/2016 Fitzgerald D21/686
 2002/0173411 A1 11/2002 Wallerstein
 2008/0139979 A1 6/2008 Talish
 2009/0247917 A1 10/2009 Park
 2010/0179038 A1 * 7/2010 Hahn A63B 17/00
 482/142

OTHER PUBLICATIONS

International Search Report issued on PCT/CA2010/001872 dated Jul. 4, 2011.

* cited by examiner

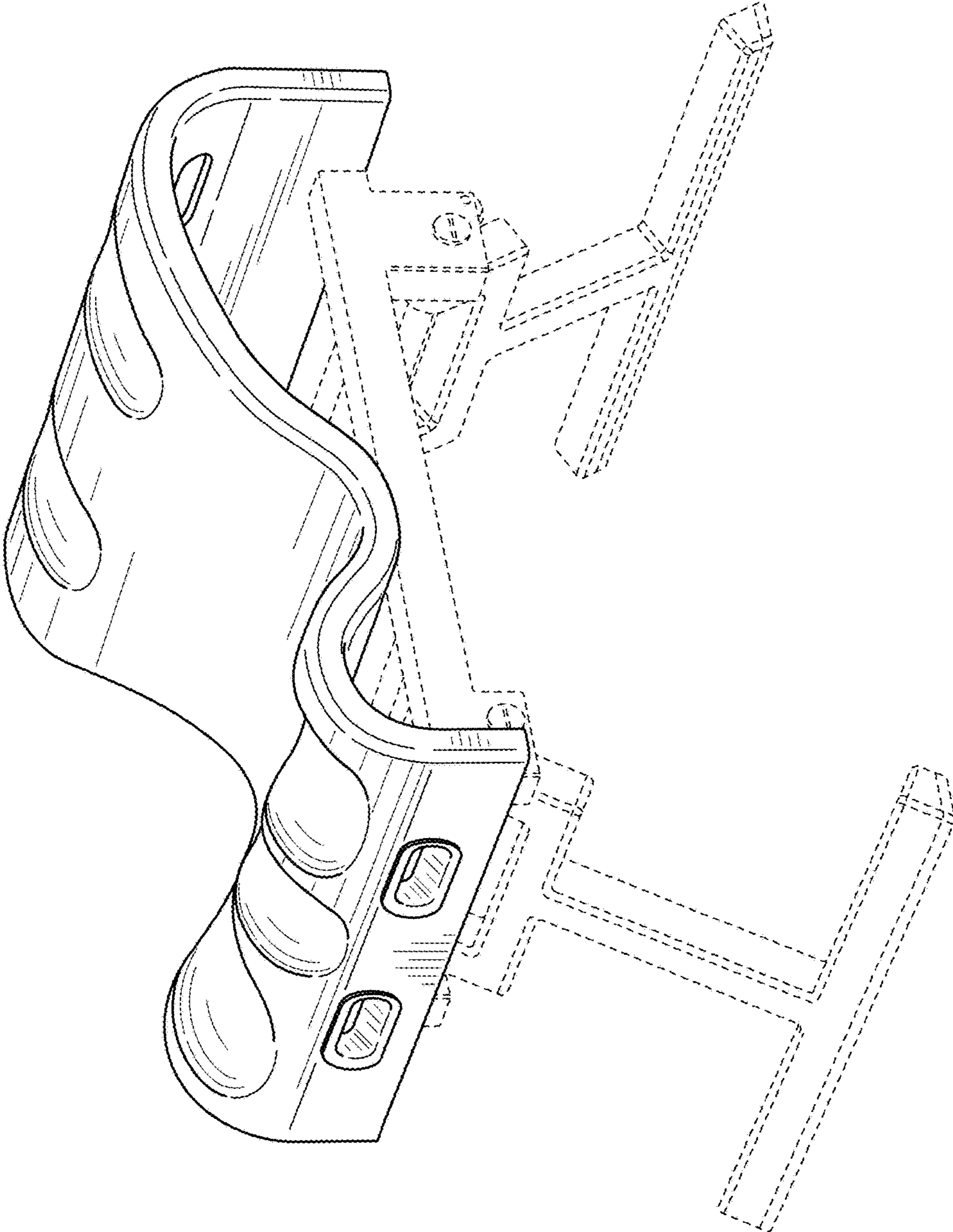


FIG. 1

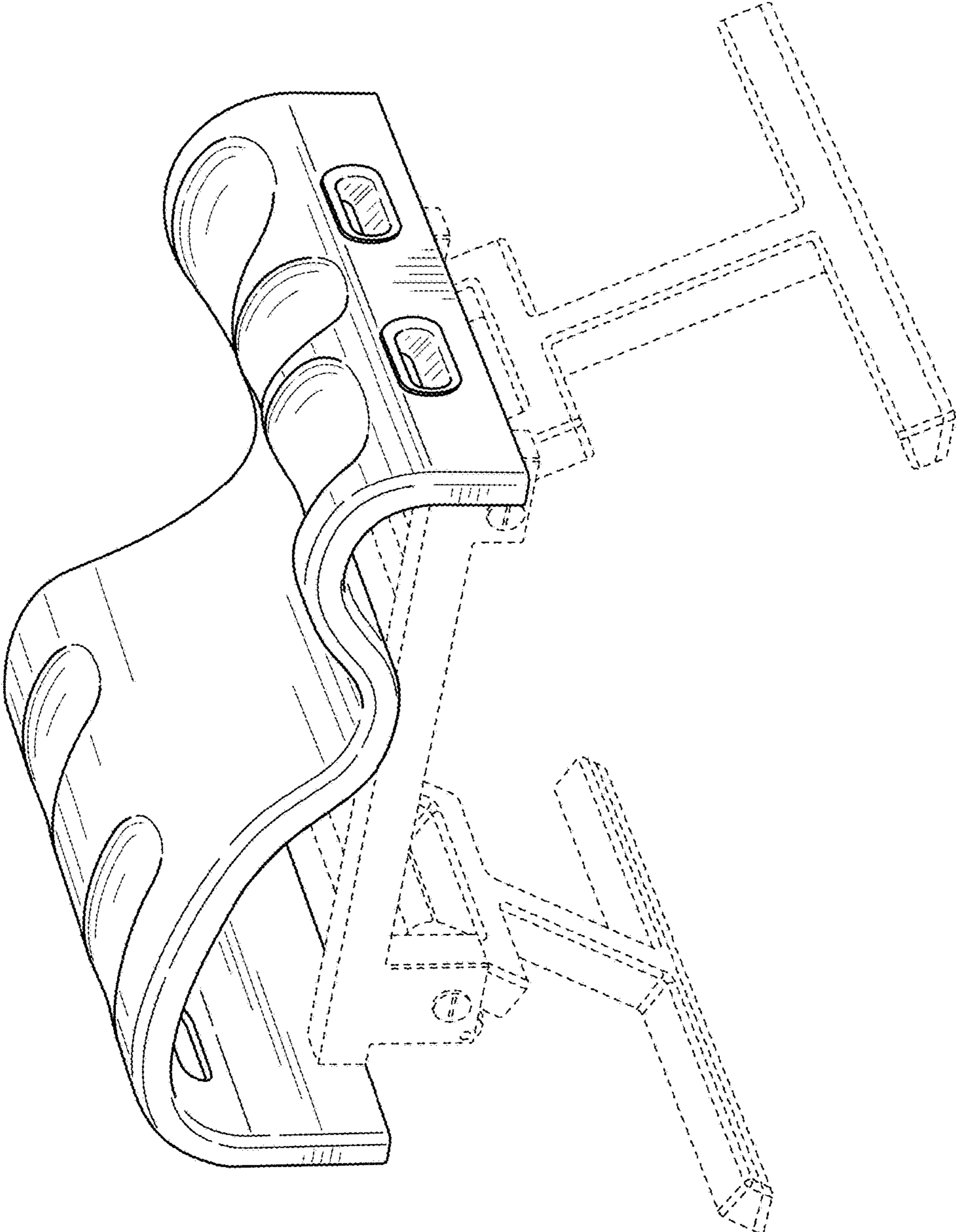


FIG. 2

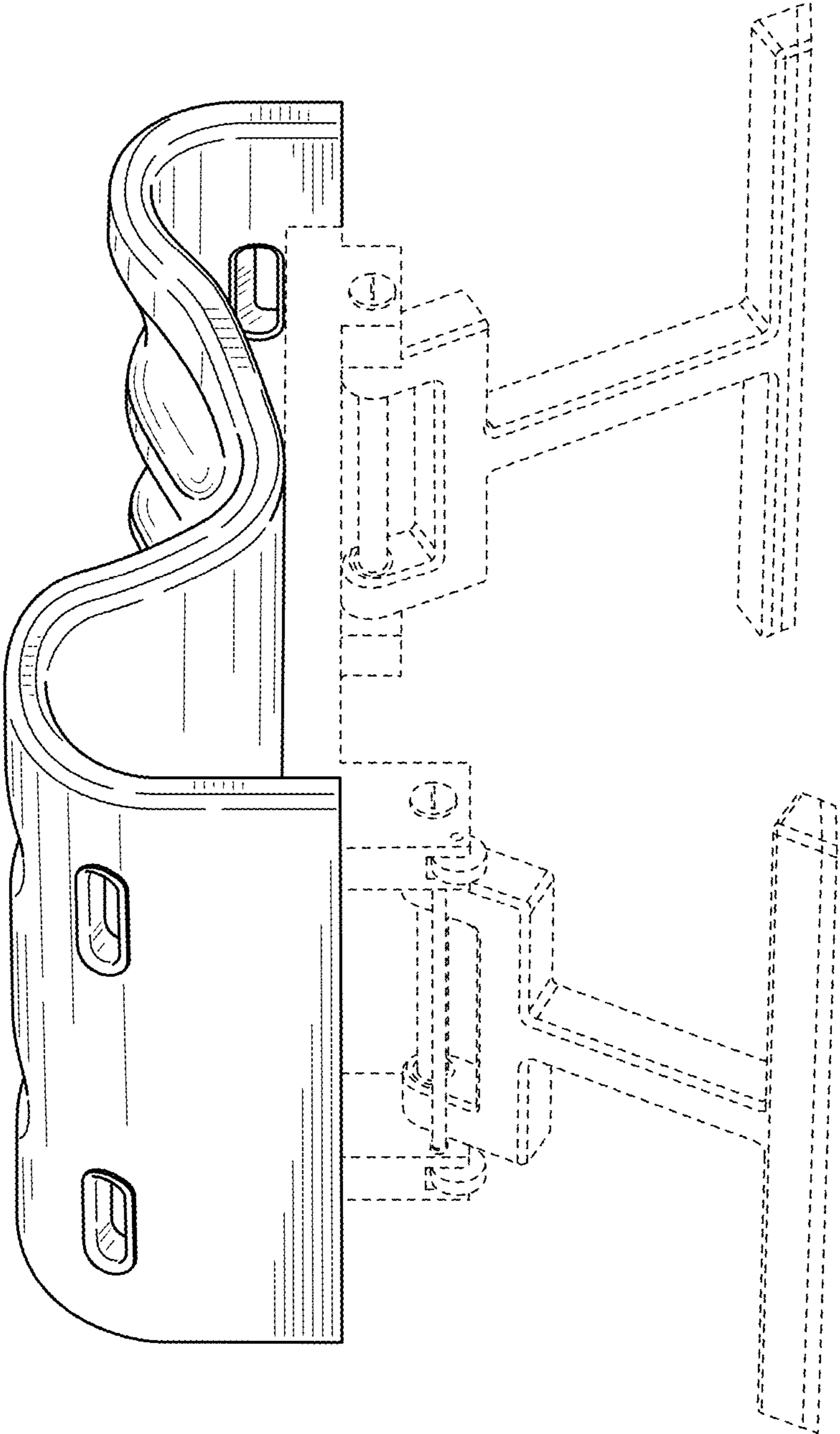


FIG. 3

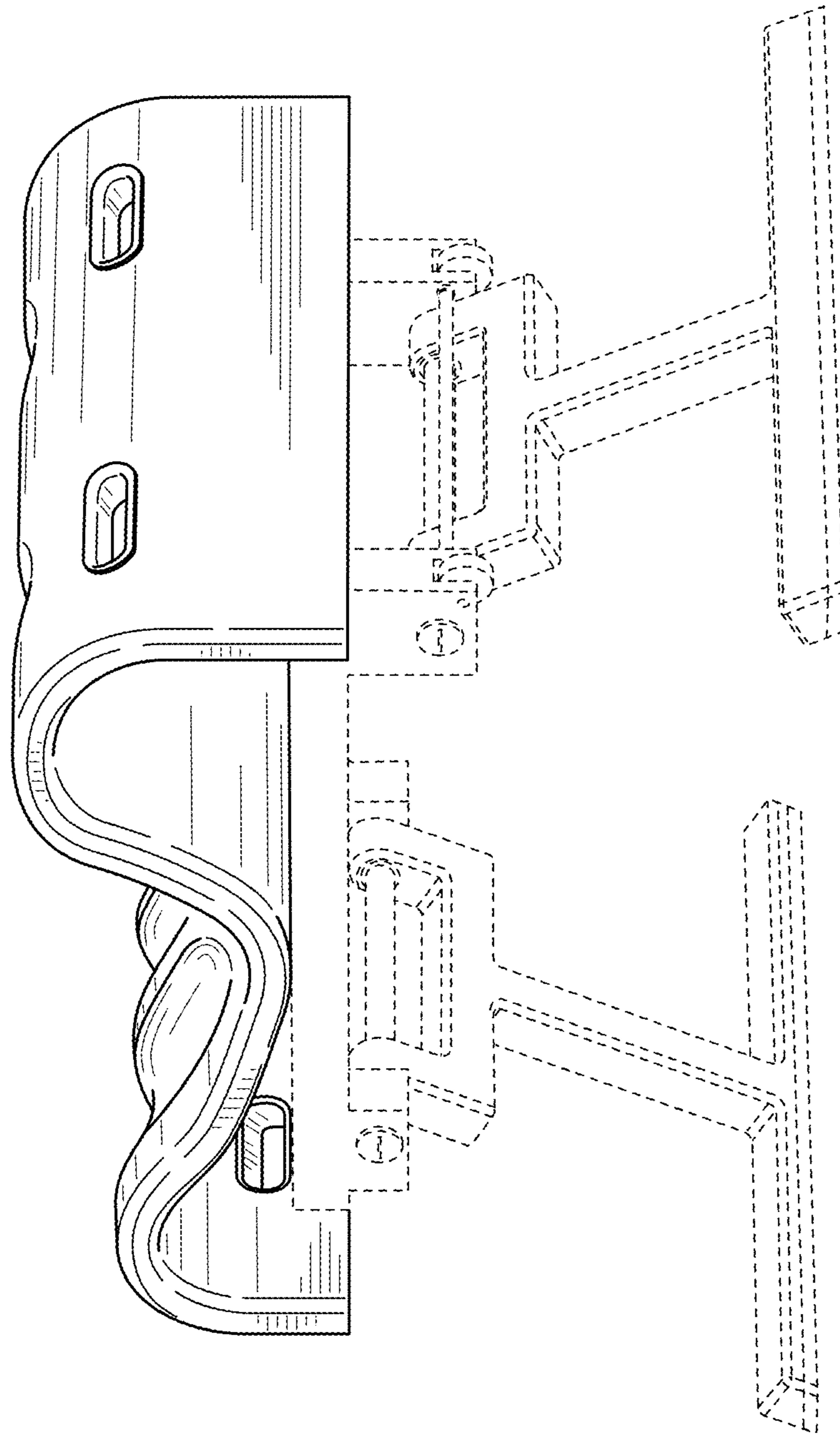


FIG. 4

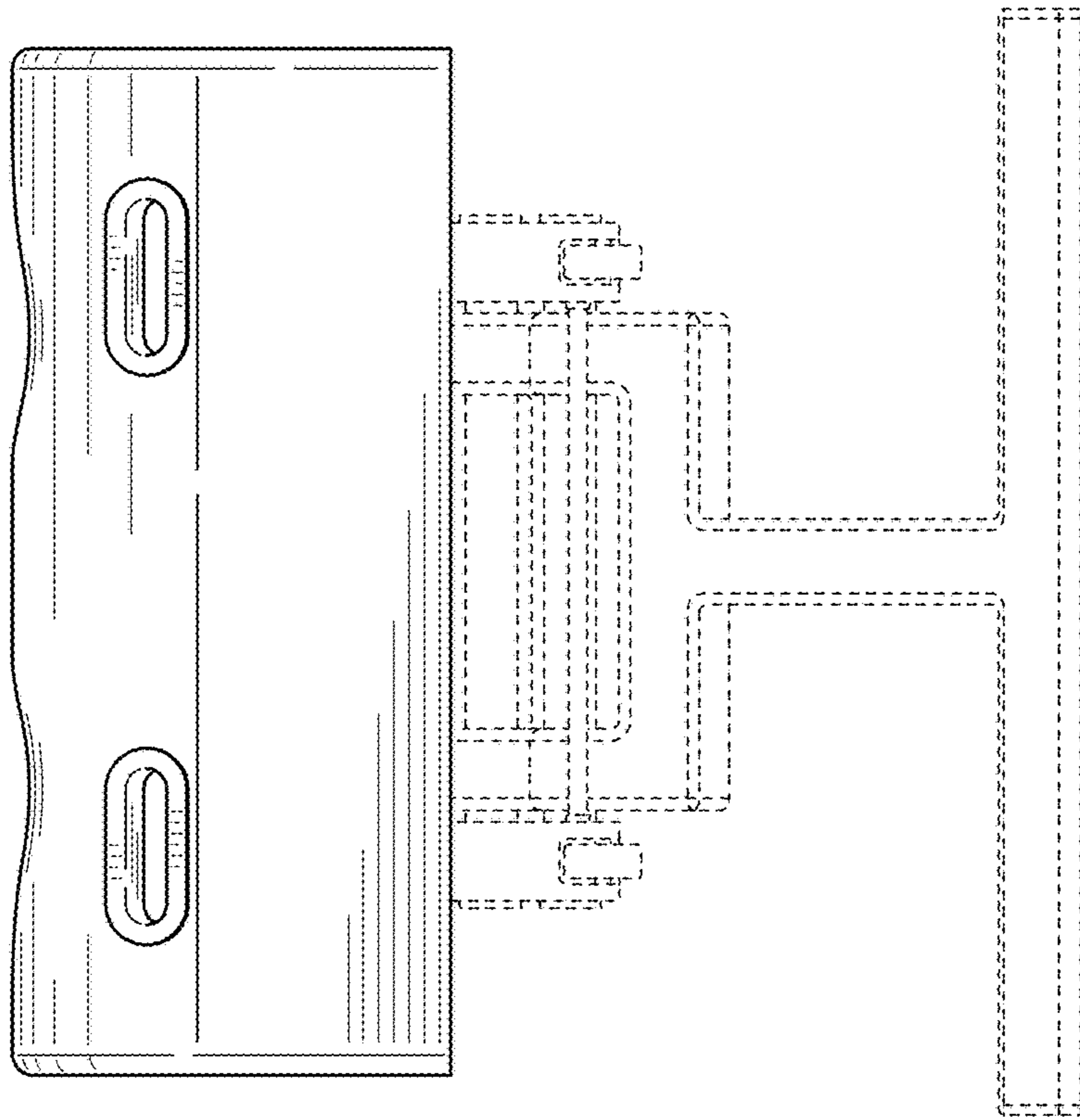


FIG. 5

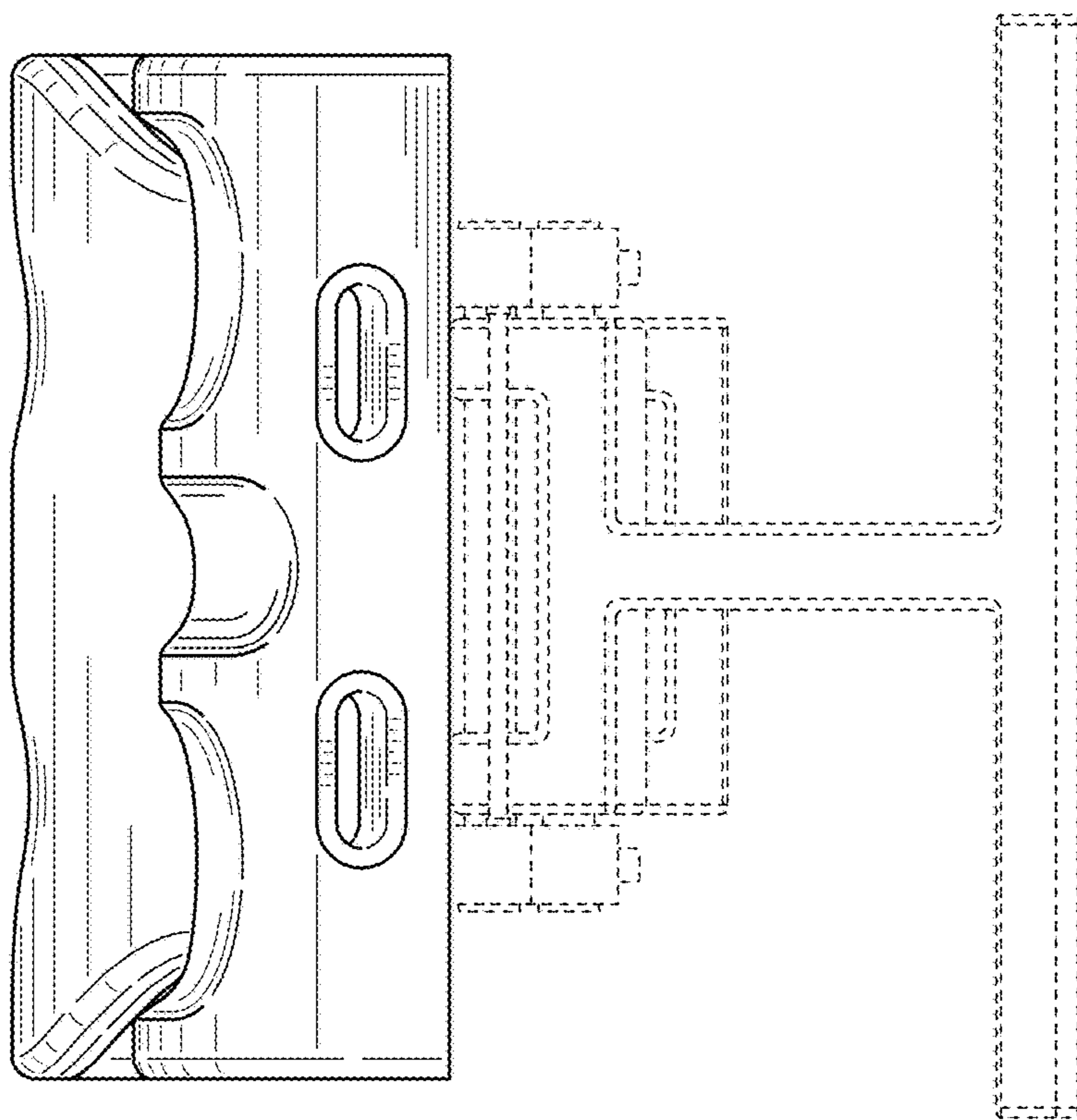


FIG. 6

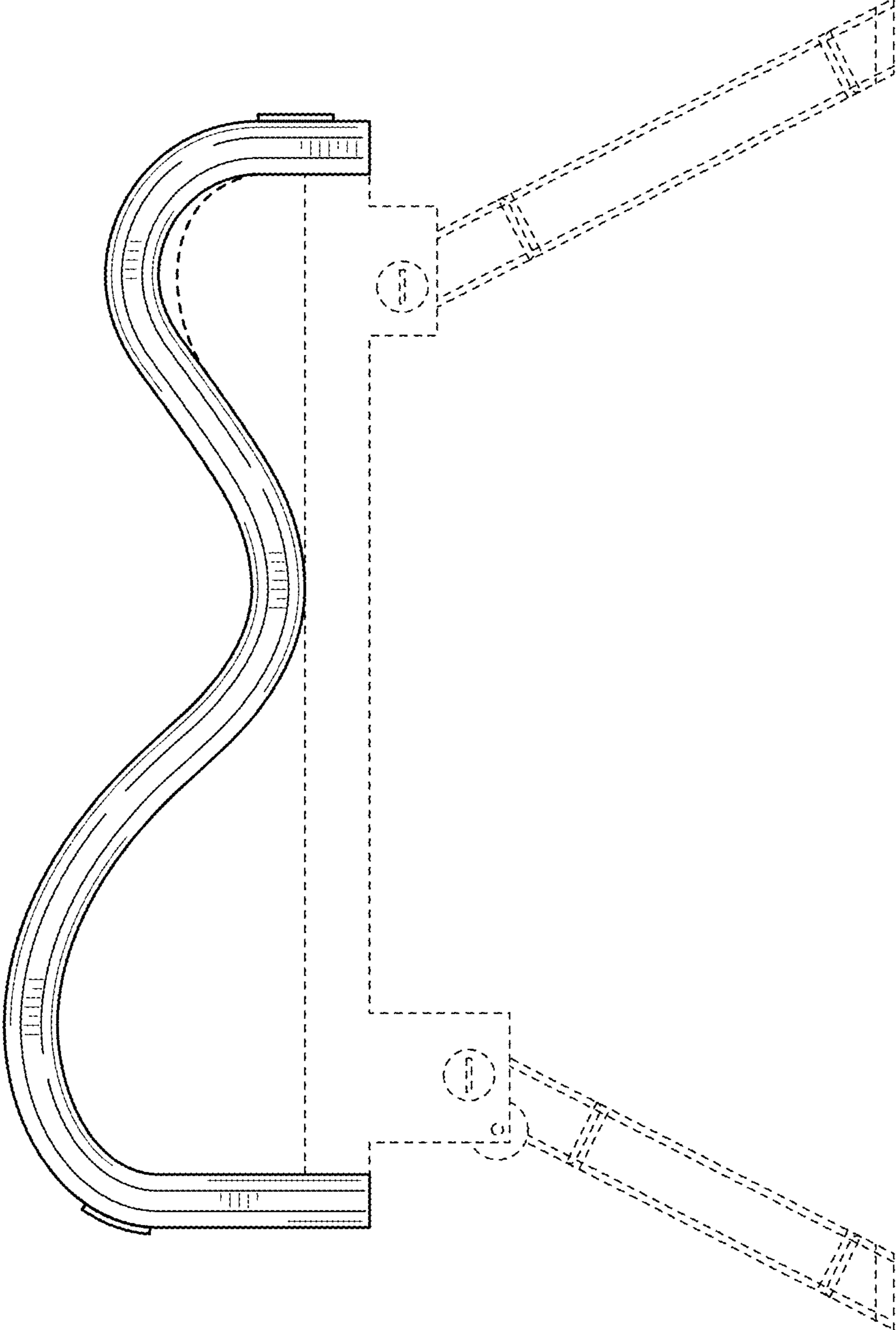


FIG. 7

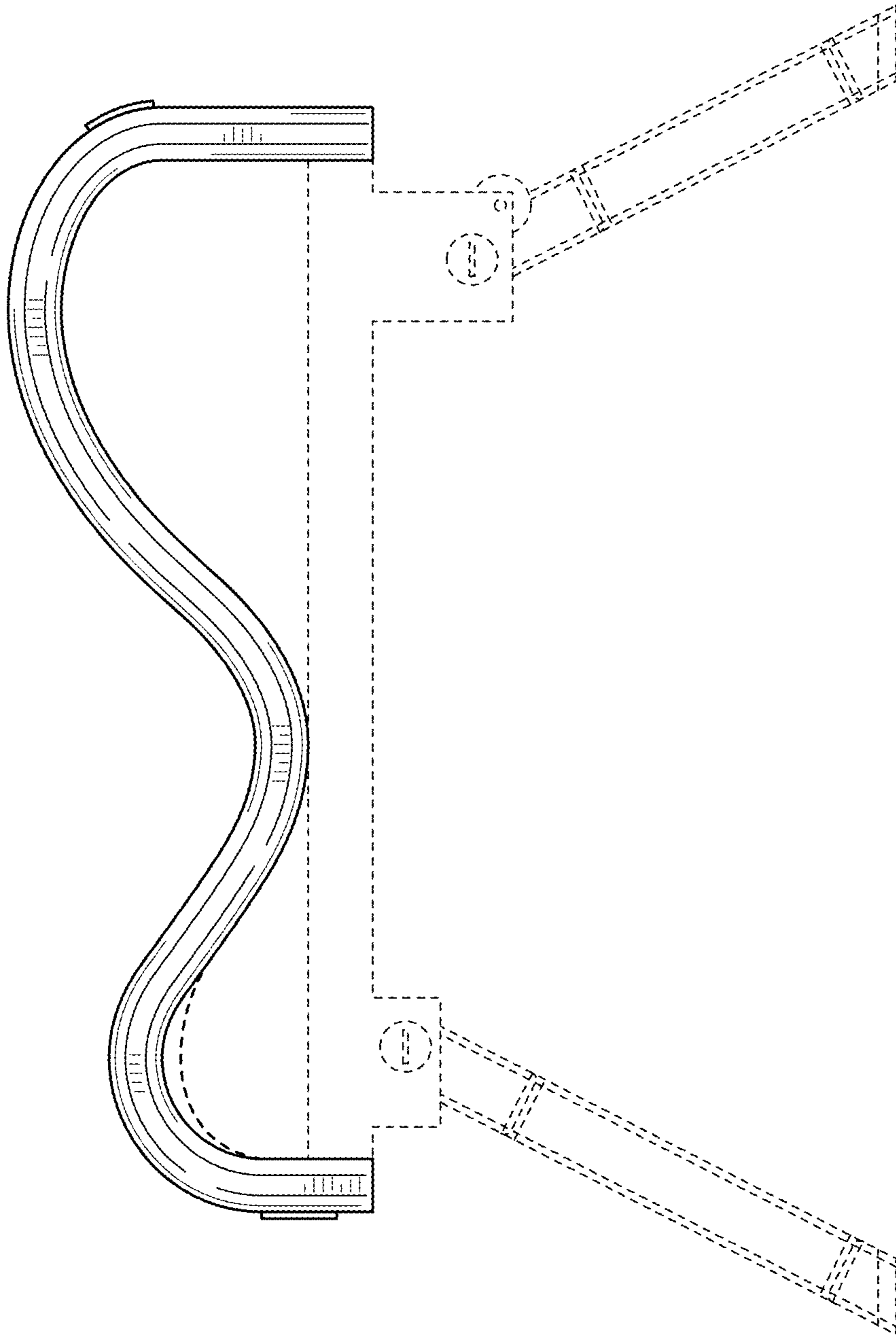


FIG. 8

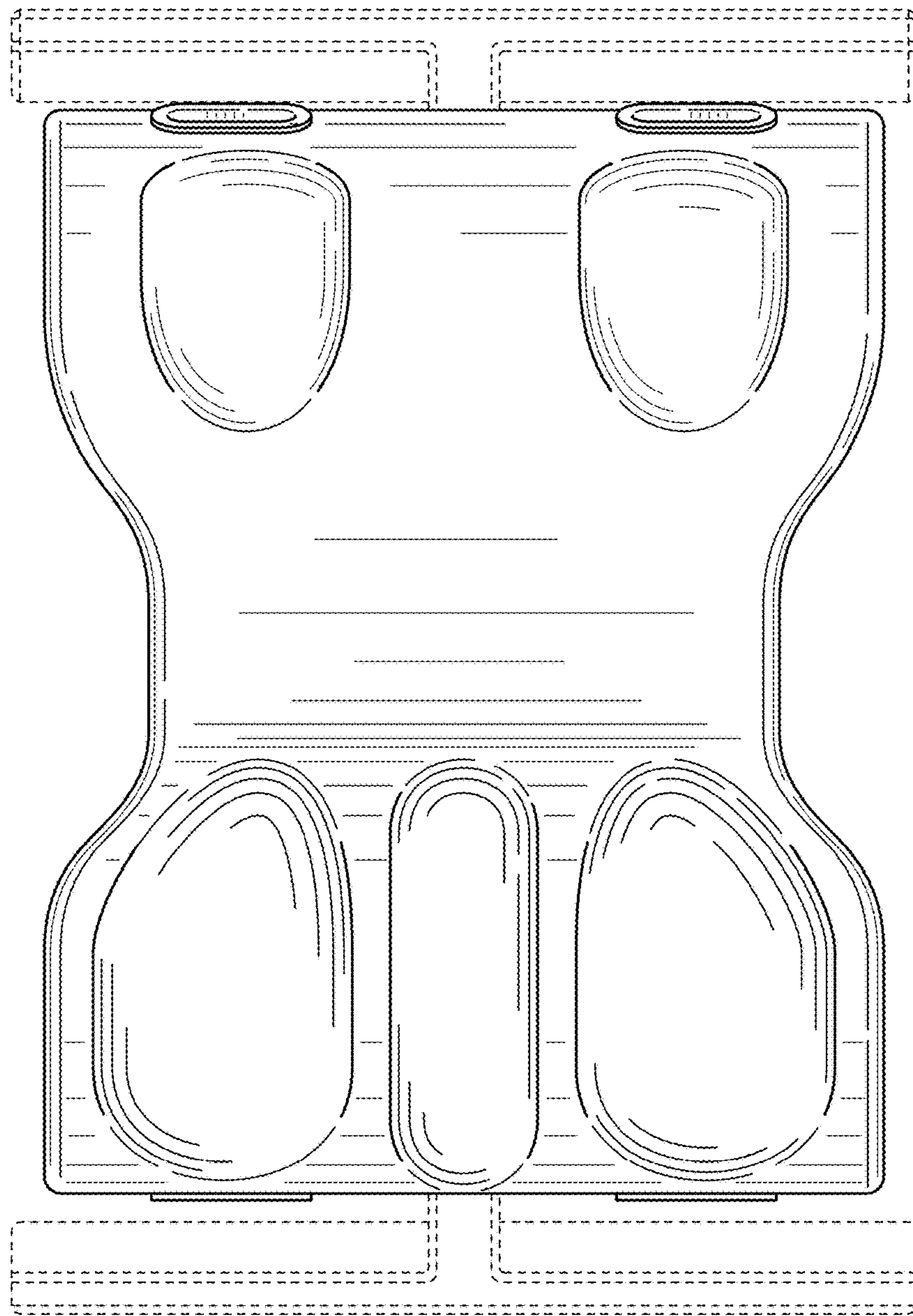


FIG. 9

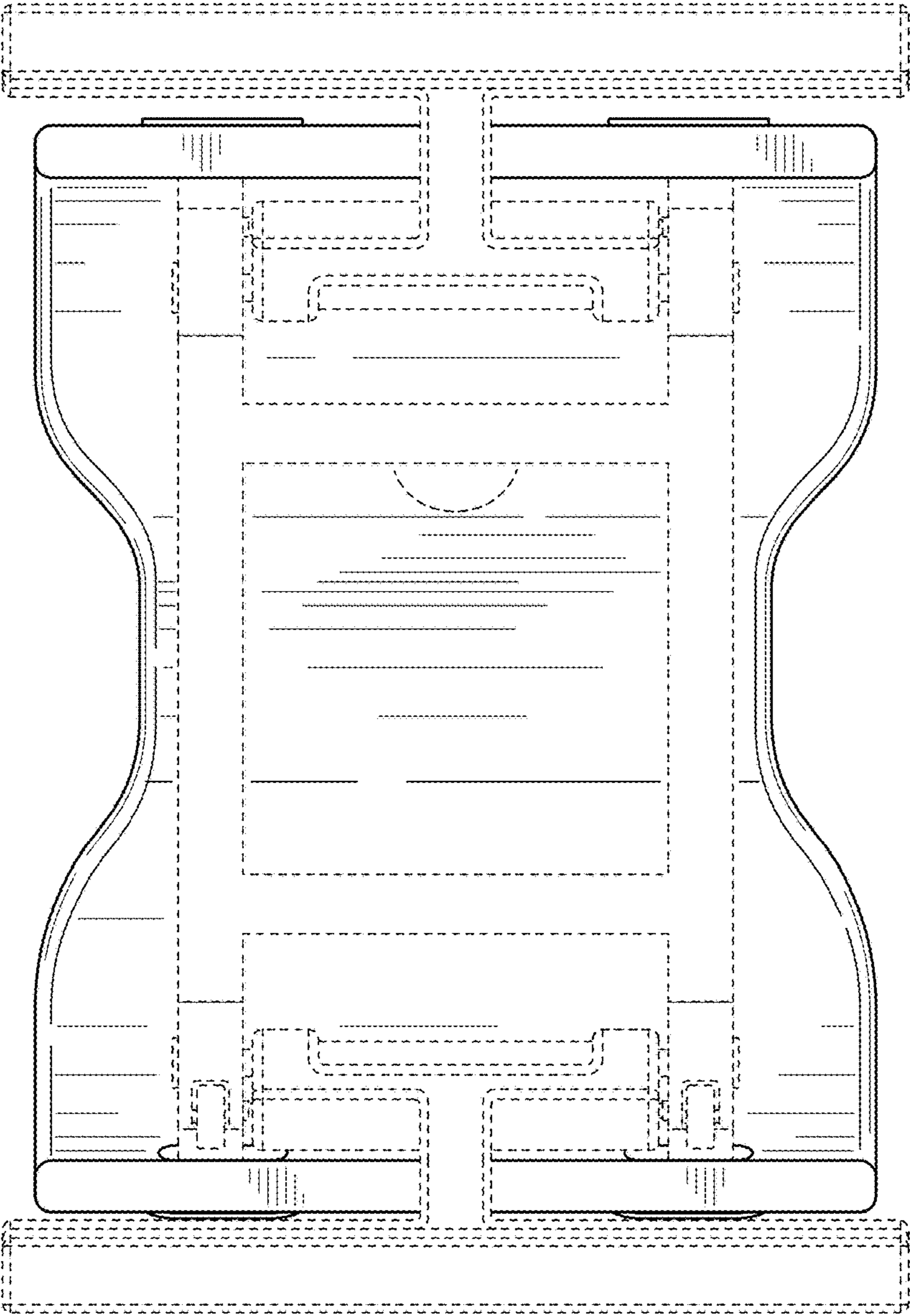


FIG. 10

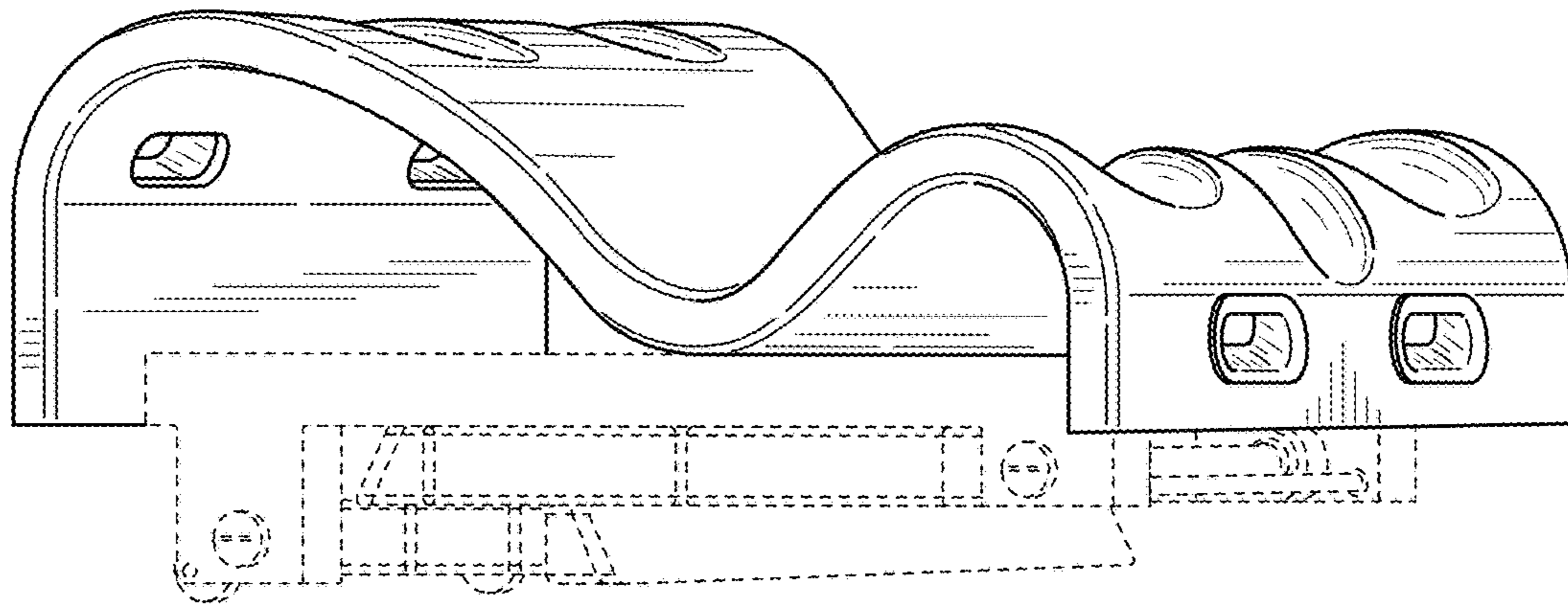


FIG. 11

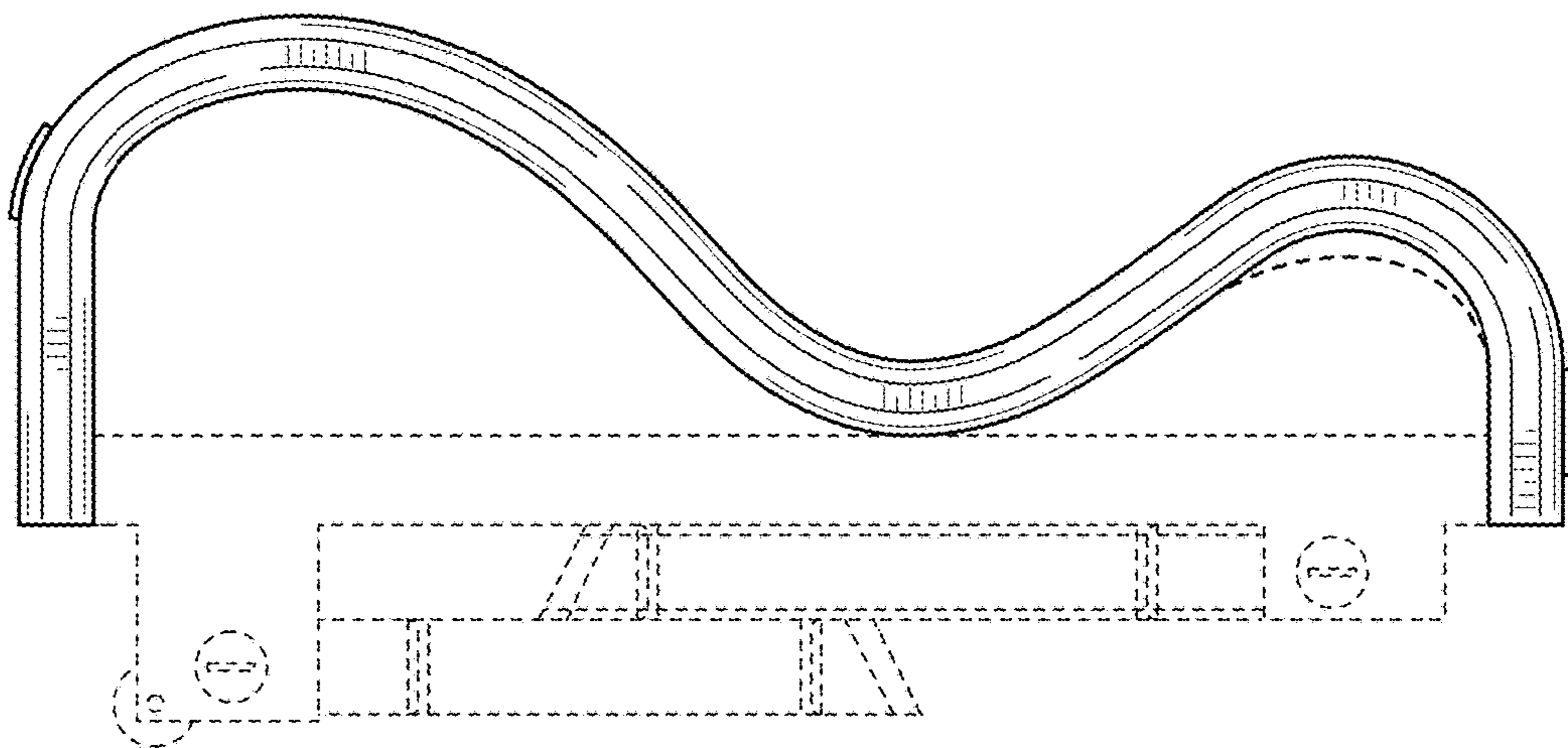


FIG. 12