



US00D787071S

(12) **United States Design Patent**
Patil et al.

(10) **Patent No.:** **US D787,071 S**

(45) **Date of Patent:** **** May 16, 2017**

(54) **INTEGRATION MANAGEMENT SYSTEM FOR PATIENT TABLE**

6,117,127 A 9/2000 Helmreich et al.
D441,868 S * 5/2001 Rodenas Santiago D24/183
D453,968 S * 2/2002 Zachrisson D24/183
6,378,149 B1 * 4/2002 Sanders A61B 6/0442
378/209

(71) Applicant: **General Electric Company,**
Schenectady, NY (US)

(Continued)

(72) Inventors: **Mahendra Madhukar Patil,** Bangalore (IN); **Narasimha Murthy Vinay,** Bangalore (IN); **Satish Kumar Coimbatore Renukanandhan,** Bangalore (IN); **Paul Margot Vincent,** Buc (FR); **Romain Chatelin,** Buc (FR); **Jean-Michel Marteau,** Buc (FR); **Mylene Roussel,** Buc (FR)

Primary Examiner — Anhdao Doan

(74) *Attorney, Agent, or Firm* — McCoy Russell LLP

(57) **CLAIM**

The ornamental design for an integration management system for patient table, as shown and described.

DESCRIPTION

FIG. 1 is a front perspective view of a design for an integration management system for patient table including an upper table compartment and a lower table compartment according to the present invention.

FIG. 2 is a back perspective view of the integration management system for patient table of FIG. 1.

FIG. 3 is a top view of the integration management system for patient table of FIG. 1.

FIG. 4 is a right side view of the integration management system for patient table of FIG. 1.

FIG. 5 is a left side view of the integration management system for patient table of FIG. 1.

FIG. 6 is a back view of the integration management system for patient table of FIG. 1.

FIG. 7 is a front view of the integration management system for patient table of FIG. 1; and,

FIG. 8 is bottom view of the integration management system for patient table of FIG. 1.

The broken lines illustrate portions of the integration management system for patient table that form no part of the claimed design. The integration management system for patient table is shown with a symbolic break in its length. The appearance of any portion of the article between the break lines forms no part of the claimed design.

(73) Assignee: **General Electric Company,**
Schenectady, NY (US)

(**) Term: **15 Years**

(21) Appl. No.: **29/531,467**

(22) Filed: **Jun. 25, 2015**

(51) **LOC (10) Cl.** **24-01**

(52) **U.S. Cl.**
USPC **D24/183; D24/159**

(58) **Field of Classification Search**
USPC D24/158-161, 185, 186, 107, 183, 184,
D24/177

CPC ... A61B 6/0407; A61B 6/0428; A61B 6/0421;
A61B 6/0442; A61B 50/10; A61B
50/105; A61G 2210/50; A61N 5/1049;
A61N 2005/1097

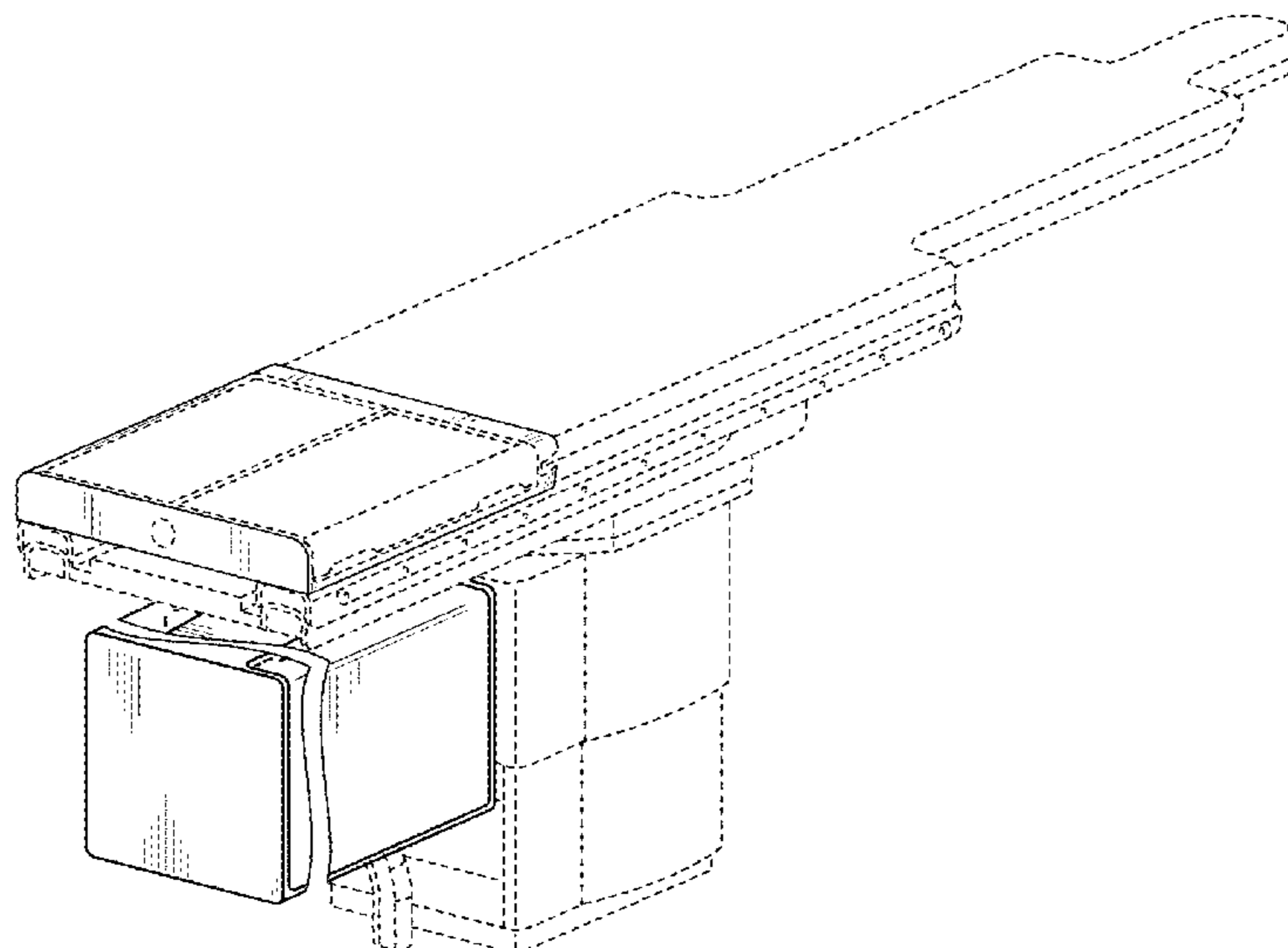
See application file for complete search history.

(56) **References Cited**

U.S. PATENT DOCUMENTS

4,392,486 A * 7/1983 Gardineer A61B 6/04
108/6
4,663,621 A * 5/1987 Field A61B 50/10
221/154

1 Claim, 5 Drawing Sheets



(56)

References Cited

U.S. PATENT DOCUMENTS

6,585,731	B1 *	7/2003	Rattner	A61B 50/10 606/34
D648,855	S *	11/2011	Smith	D24/158
8,457,713	B2	6/2013	Kagermeier		
D699,355	S *	2/2014	Chung	D24/158
D727,509	S *	4/2015	Tan	D24/159
D745,971	S *	12/2015	Sharps	D24/183
2005/0065640	A1 *	3/2005	Mallett	A61B 50/10 700/224
2015/0223891	A1 *	8/2015	Miller	A61B 50/10 726/19

* cited by examiner

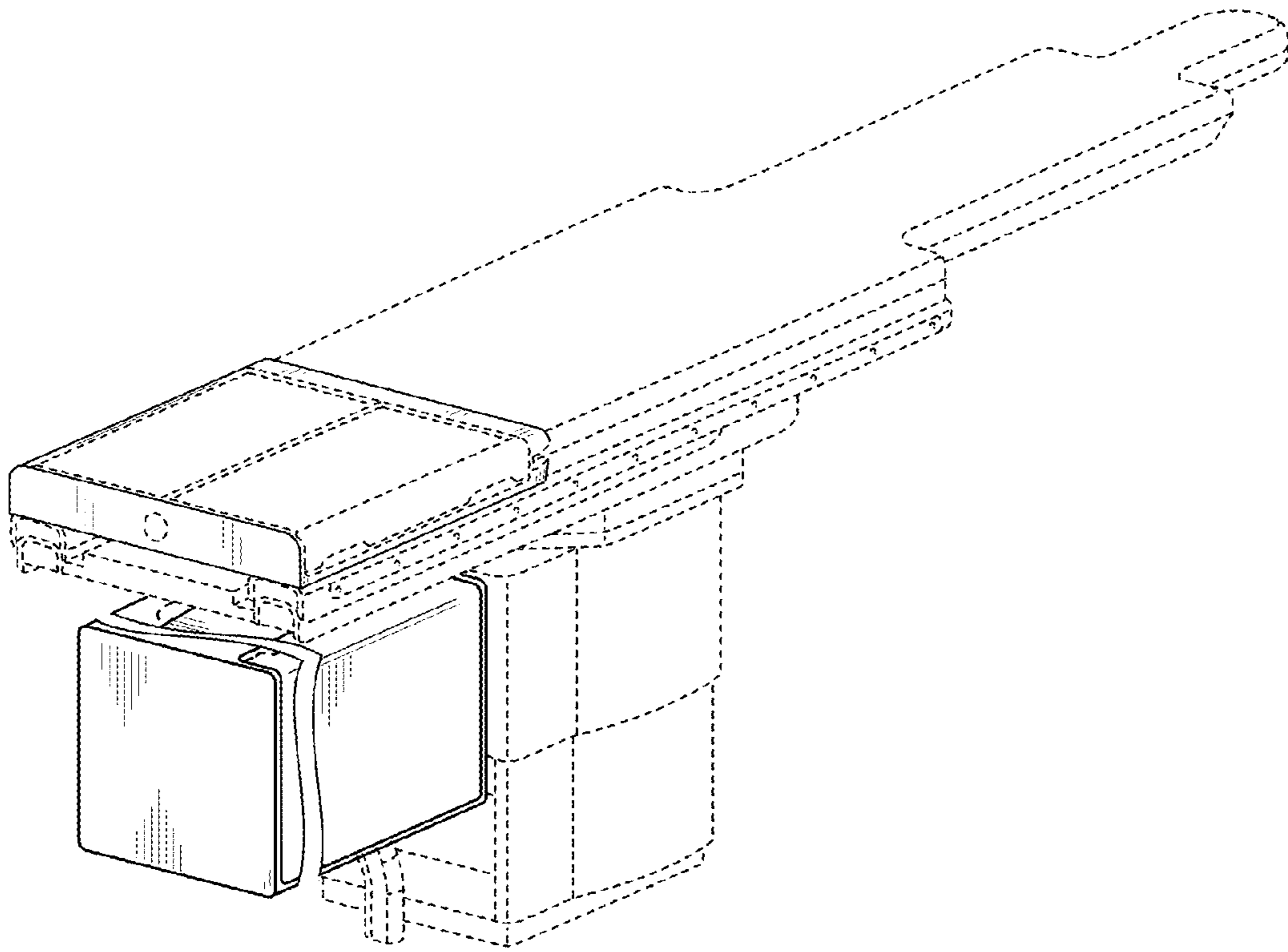


FIG. 1

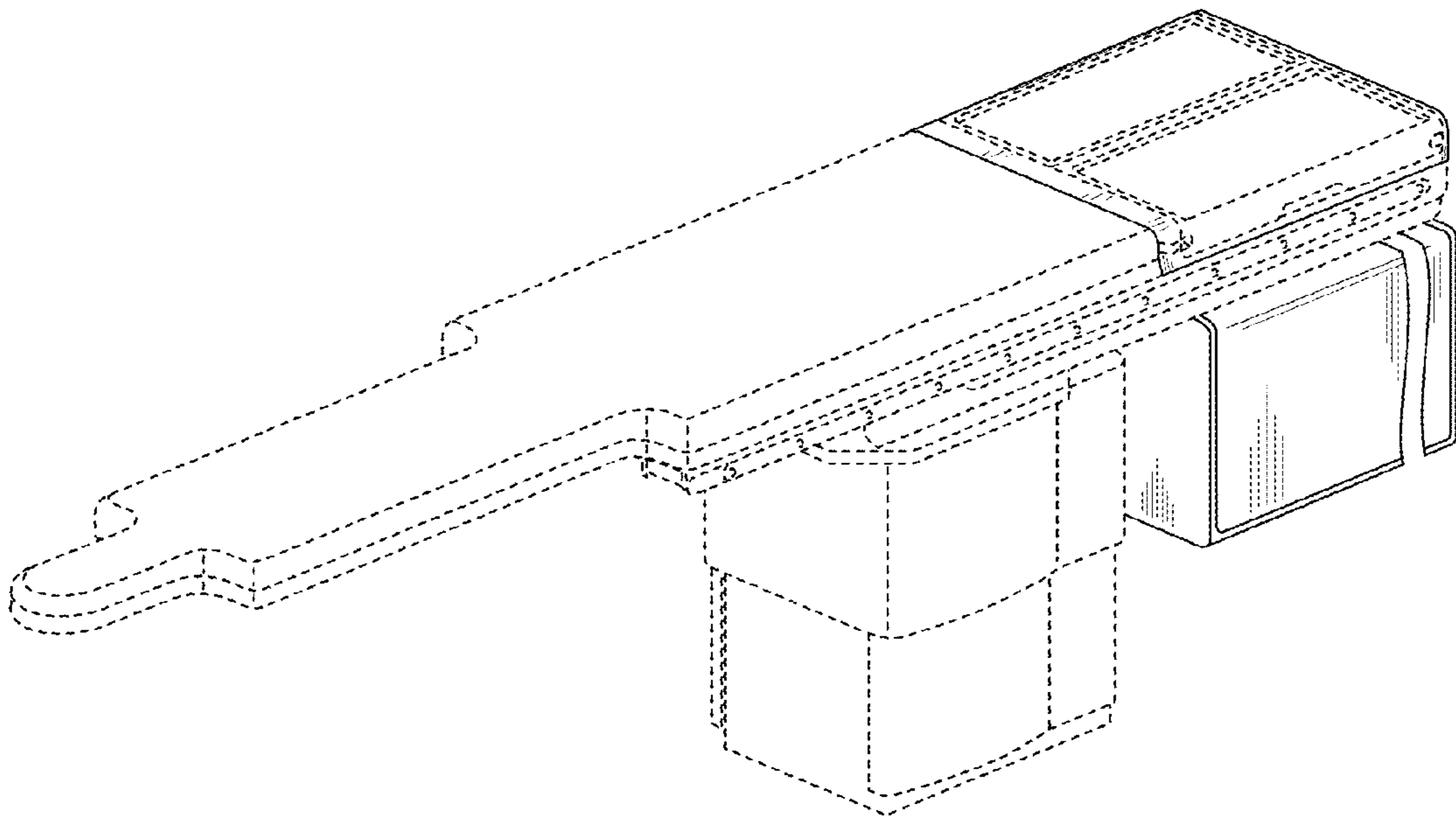


FIG. 2

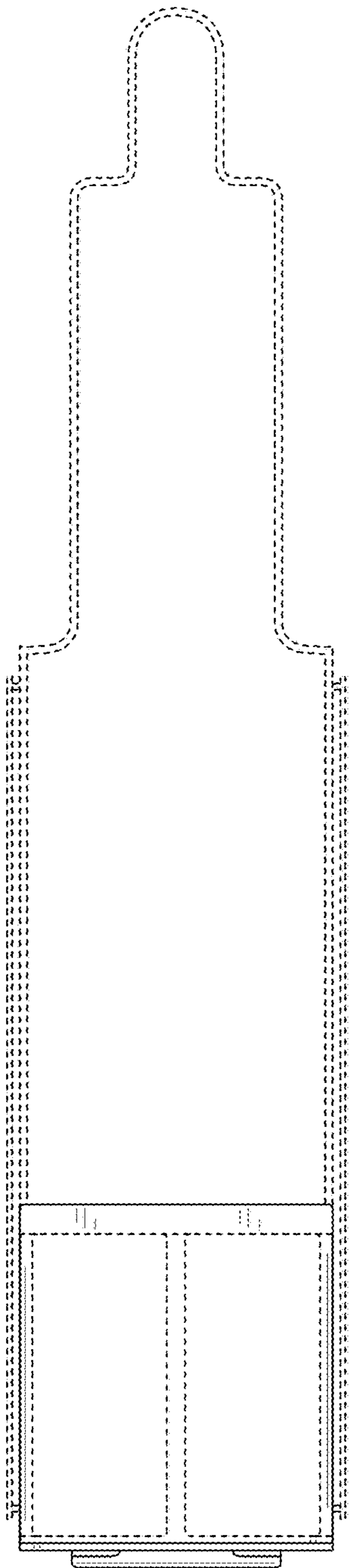


FIG. 3

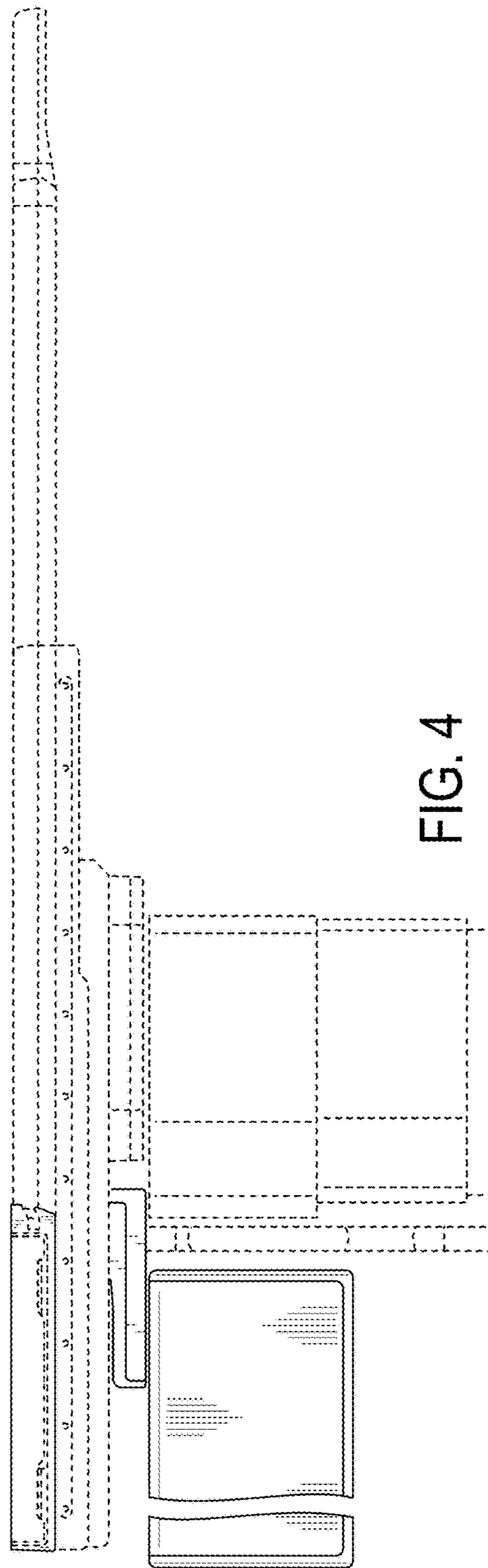


FIG. 4

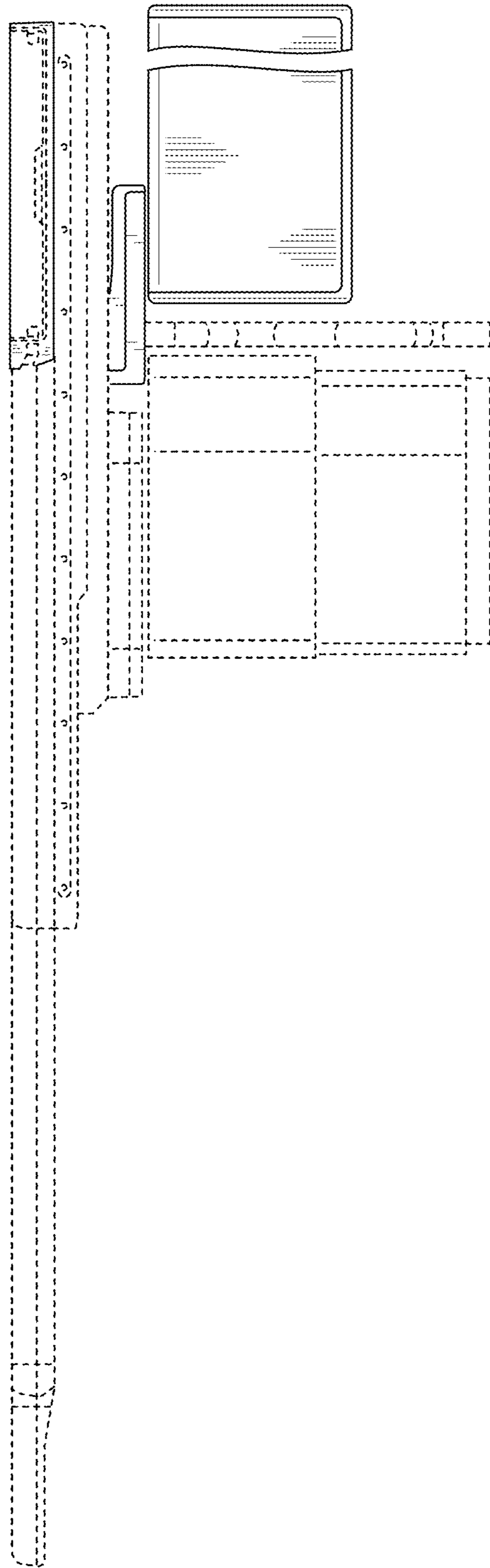


FIG. 5

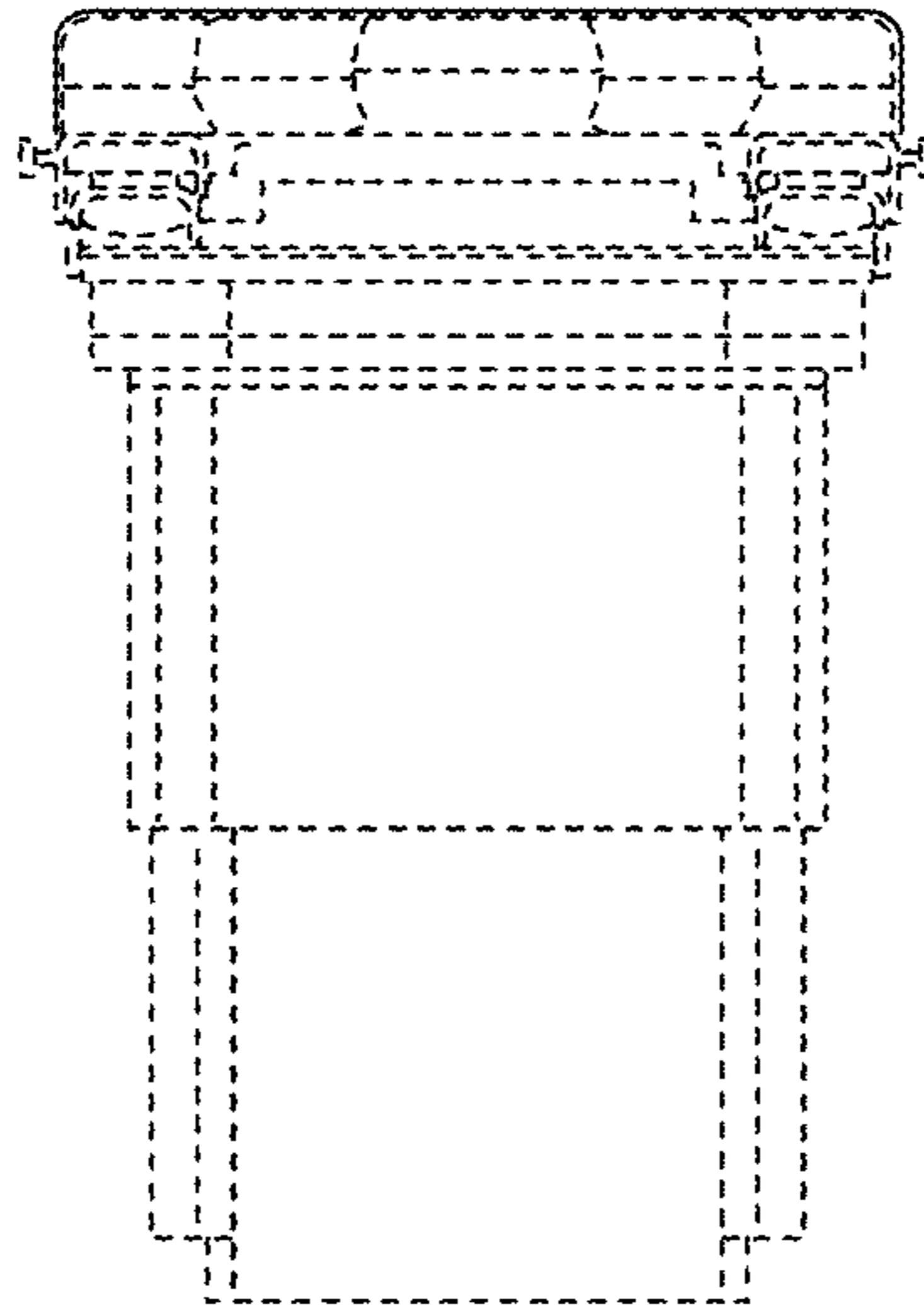


FIG. 6

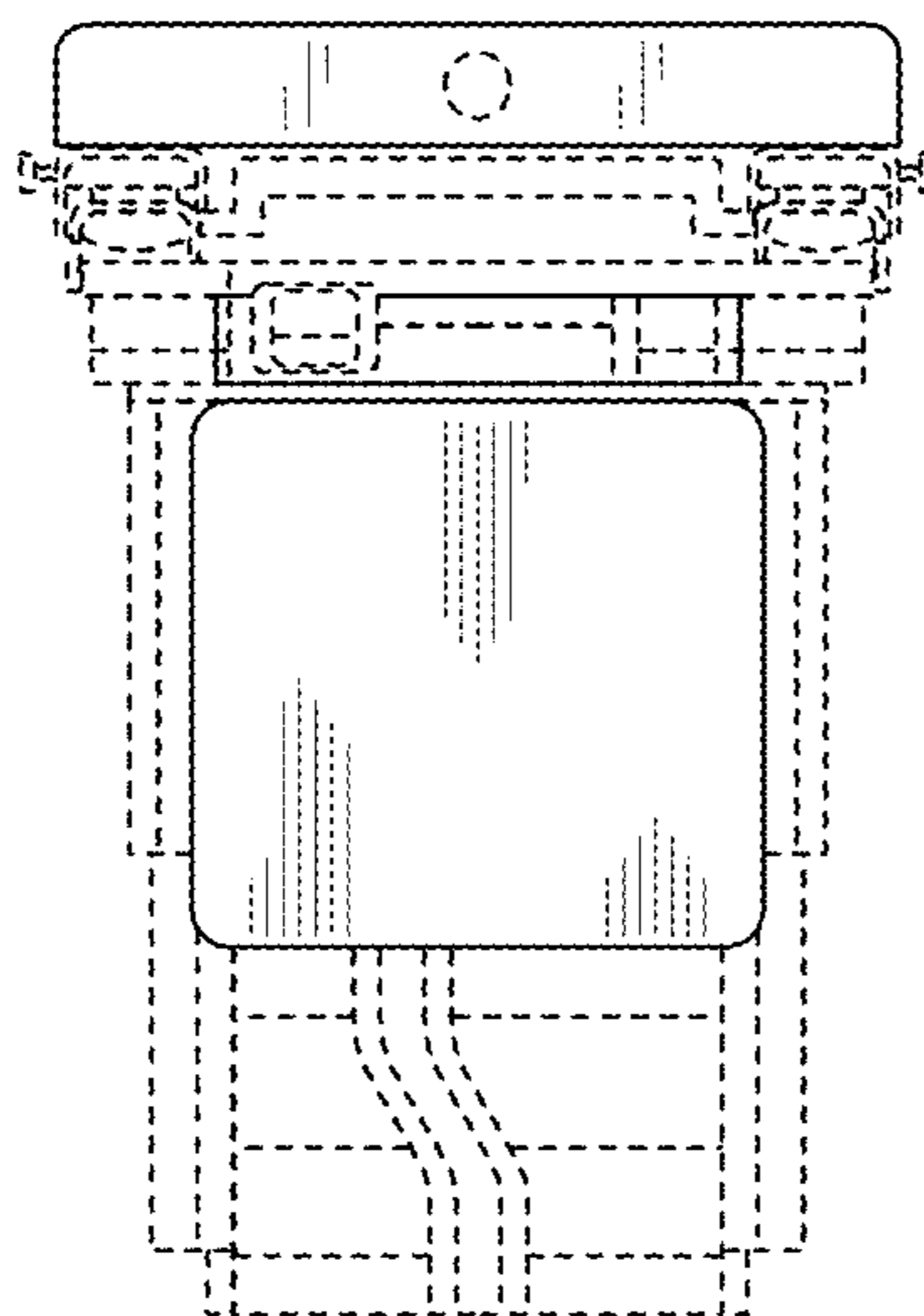


FIG. 7

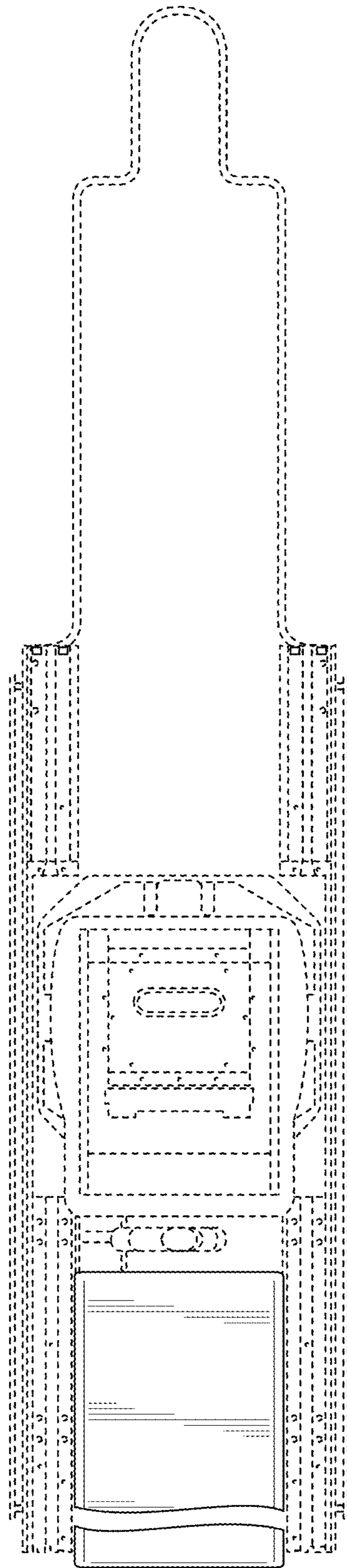


FIG. 8

UNITED STATES PATENT AND TRADEMARK OFFICE
CERTIFICATE OF CORRECTION

PATENT NO. : D787,071 S
APPLICATION NO. : 29/531467
DATED : May 16, 2017
INVENTOR(S) : Mahendra Madhukar Patil et al.

Page 1 of 1

It is certified that error appears in the above-identified patent and that said Letters Patent is hereby corrected as shown below:

On the Title Page

Item (72) in the Inventors section, correct "Paul Margot Vincent" to read "Paul Vincent Margot".

Signed and Sealed this
Fourth Day of July, 2017



Joseph Matal
*Performing the Functions and Duties of the
Under Secretary of Commerce for Intellectual Property and
Director of the United States Patent and Trademark Office*