



US00D787070S

(12) **United States Design Patent** (10) **Patent No.:** **US D787,070 S**
Ritter (45) **Date of Patent:** **** May 16, 2017**

(54) **ILLUMINATED DENTAL ACCESSORY WITH TONGUE SUPPRESSOR**

(71) Applicant: **ASCENTCARE DENTAL LABS, LLC**, Nunica, MI (US)

(72) Inventor: **Austin Rasmussen Ritter**, Nunica, MI (US)

(73) Assignee: **Ascentcare Dental Labs**, Nunica, MI (US)

(**) Term: **15 Years**

(21) Appl. No.: **29/561,809**

(22) Filed: **Apr. 20, 2016**

(51) **LOC (10) Cl.** **24-01**

(52) **U.S. Cl.**
USPC **D24/176; D24/177**

(58) **Field of Classification Search**
USPC D24/10, 110.5, 112, 119, 137, 152, 161, D24/176-182, 127-128, 136; D29/108; 433/93, 94, 140; 128/200.26
CPC A61G 15/14; A61G 15/16; A61G 15/18; A47K 5/00; A61M 16/04; A61M 16/049; A61C 3/04; A61C 17/00; A61C 5/14
See application file for complete search history.

(56) **References Cited**

U.S. PATENT DOCUMENTS

2,823,455	A	4/1956	Sprague
3,657,819	A	4/1972	Soderqvist
3,722,101	A	3/1973	Via, Jr.
3,916,880	A	11/1975	Schroer
3,924,333	A	12/1975	Erickson
4,017,975	A	4/1977	Johnson
4,024,859	A	5/1977	Slepyan et al.
4,112,936	A	9/1978	Blachly
4,215,984	A	8/1980	Reichley
4,310,308	A	1/1982	Oien

(Continued)

OTHER PUBLICATIONS

Leap Illuminated Mouth Prop, <https://garrisondental.com/en/leap-illuminated-mouth-prop>, Garrison Dental, Spring Lake, MI (undated).

(Continued)

Primary Examiner — Wan Laymon

Assistant Examiner — Clint A Samuel

(74) *Attorney, Agent, or Firm* — James E. Shultz, Jr.

(57) **CLAIM**

The ornamental design for an illuminated dental accessory with tongue suppressor, as shown and described.

DESCRIPTION

FIG. 1 is a front perspective view of an illuminated dental accessory with tongue suppressor according to a first embodiment of my design;

FIG. 2 is a front elevational view thereof;

FIG. 3 is a rear elevational view thereof;

FIG. 4 is a first side elevational view thereof;

FIG. 5 is a second side elevational view thereof;

FIG. 6 is a top elevational view thereof;

FIG. 7 is a bottom elevational view thereof;

FIG. 8 is a front perspective view of an illuminated dental accessory with tongue suppressor according to a second embodiment of my design;

FIG. 9 is a front elevational view thereof;

FIG. 10 is a rear elevational view thereof;

FIG. 11 is a first side elevational view thereof;

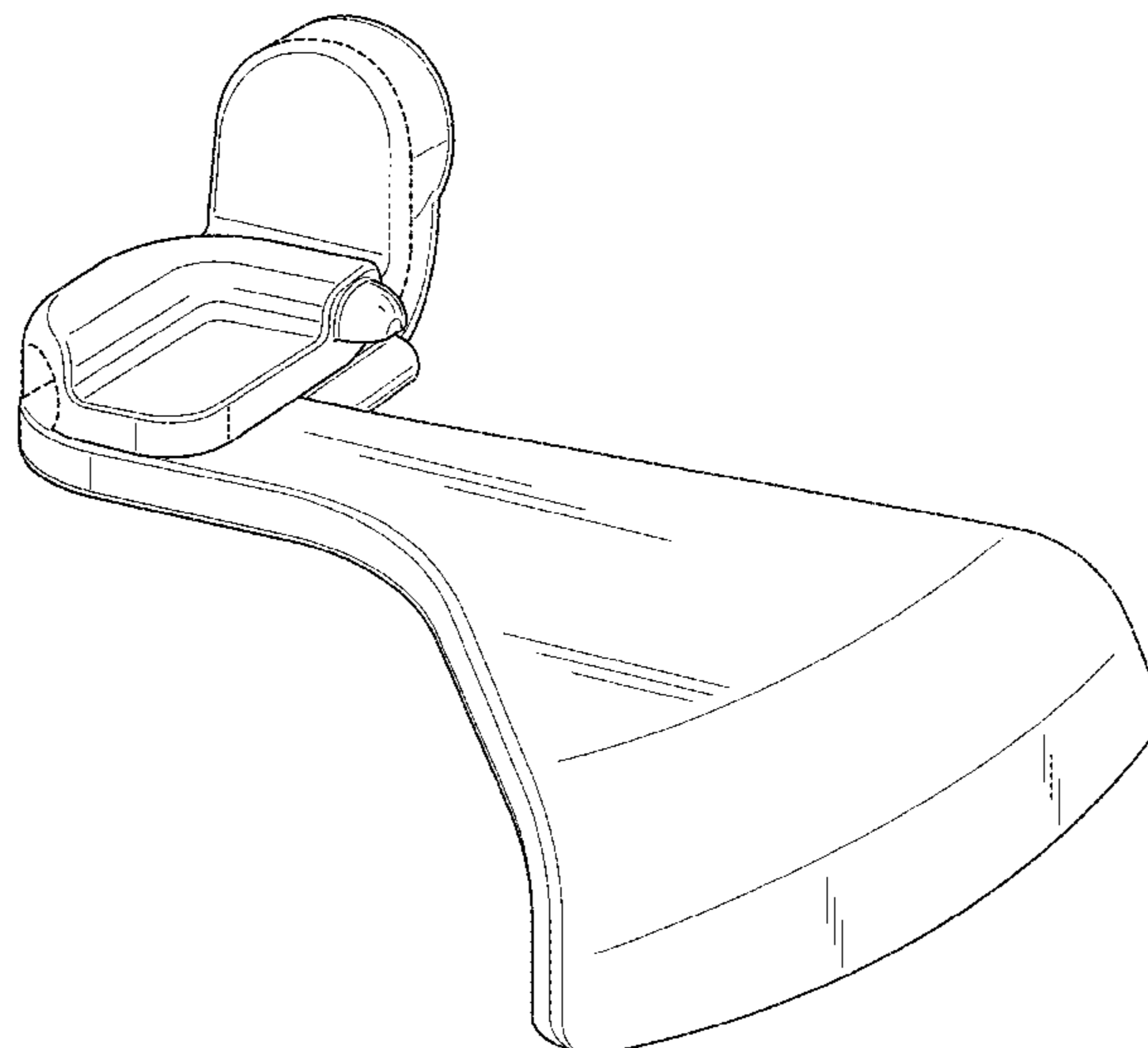
FIG. 12 is a second side elevational view thereof;

FIG. 13 is a top elevational view thereof; and,

FIG. 14 is a bottom elevational view thereof.

The broken line showing of various features is for the purpose of illustrating unclaimed portions of the illuminated dental accessory with tongue suppressor and forms no part of the claimed design.

1 Claim, 14 Drawing Sheets



(56)

References Cited

U.S. PATENT DOCUMENTS

4,425,911 A 1/1984 Luomanen et al.
 4,495,945 A 1/1985 Liegner
 D292,123 S * 9/1987 Armstrong D24/180
 5,071,347 A * 12/1991 McGuire A61C 19/001
 433/91
 5,078,602 A 1/1992 Honoshofsky
 5,097,820 A 3/1992 Shulman et al.
 5,386,821 A 2/1995 Poterack
 5,421,327 A 6/1995 Flynn et al.
 D370,732 S * 6/1996 Smith D24/161
 5,590,643 A * 1/1997 Flam A61M 16/0488
 128/200.26
 5,733,121 A 3/1998 Goode
 5,740,791 A 4/1998 Aves
 5,762,496 A * 6/1998 Albertsson A61C 17/043
 433/93
 6,098,627 A 8/2000 Kellner et al.
 6,102,701 A * 8/2000 Engeron A61C 5/14
 433/140
 D440,654 S * 4/2001 Mark D24/119
 D441,073 S * 4/2001 Mark D24/119
 6,241,521 B1 6/2001 Garrison
 6,474,332 B2 11/2002 Arndt
 6,652,276 B2 11/2003 Fischer et al.
 6,655,960 B2 12/2003 Fischer
 6,675,808 B2 1/2004 Karasic
 6,716,029 B2 4/2004 Fischer et al.
 D495,799 S * 9/2004 Hirsch D24/108
 7,066,735 B1 6/2006 Gasporra
 7,712,468 B2 5/2010 Hargadon
 7,780,445 B2 8/2010 Keles
 7,785,105 B2 8/2010 Anderson
 7,887,483 B2 2/2011 Rosenberg
 D639,959 S 6/2011 Westerlund
 8,083,672 B2 12/2011 Minson
 8,197,402 B1 6/2012 Cedeno
 D666,726 S 9/2012 Davis et al.
 8,430,095 B2 4/2013 Inoue et al.
 8,535,056 B2 9/2013 Dragan et al.
 8,656,925 B2 2/2014 Davis et al.
 8,684,919 B2 4/2014 Anca et al.
 8,770,189 B2 7/2014 Colman et al.
 8,820,320 B2 9/2014 Filipi et al.
 8,870,568 B1 10/2014 Ream
 D721,811 S * 1/2015 Zakhem D24/180

D753,818 S * 4/2016 Maguire D24/110.5
 D762,856 S * 8/2016 Steward, Jr. D24/161
 2001/0015206 A1 8/2001 Arndt
 2001/0039949 A1* 11/2001 Loubser A61B 1/00103
 128/200.26
 2006/0042637 A1 3/2006 Martin et al.
 2007/0068535 A1 3/2007 Colman et al.
 2008/0053434 A1 3/2008 Wightman et al.
 2008/0156322 A1* 7/2008 Isenberg A61M 16/0488
 128/200.26
 2008/0318183 A1 12/2008 Suzman
 2010/0129767 A1 5/2010 Fishburne, Jr.
 2010/0132700 A1 6/2010 Filipi et al.
 2010/0262033 A1 10/2010 Colman et al.
 2010/0317987 A1 12/2010 Inoue et al.
 2011/0251467 A1 10/2011 Poch Marti
 2012/0228528 A1 9/2012 Koo
 2013/0104912 A1 5/2013 Davis et al.
 2013/0245367 A1 9/2013 Tucker
 2013/0323670 A1 12/2013 Okuda et al.
 2014/0007868 A1* 1/2014 Eaton A61M 16/0488
 128/200.26
 2014/0114132 A1* 4/2014 De Domenico A61B 1/267
 600/188
 2014/0275803 A1 9/2014 Cushner et al.
 2014/0332009 A1 11/2014 Haider et al.
 2015/0013672 A1* 1/2015 Abdoue A61M 16/0495
 128/200.26
 2015/0157821 A1* 6/2015 Manecke A61M 16/0434
 600/114
 2016/0242885 A1 8/2016 Dickie et al.
 2016/0270878 A1* 9/2016 Fulton, III A61B 1/24

OTHER PUBLICATIONS

Olight SR52 Intimidator Cree XM-L2 LED Flashlight, <https://www.amazon.com/Oling-Intimidator-XM-L-2-Flashlight-Black/dp/B00KLMDM4S> . . . (Jun. 29, 2016).
 Garrison Dental, Leap Illuminated Mouth Prop, <https://garrisondental.com/en/leap-illuminated-mouth-prop>, Garrison Dental, Spring Lake, MI (undated, but was first published Jan. 11, 2016, and last updated Feb. 9, 2016).
 Olight, Olight SR52 Intimidator Cree XM-L2 LED Flashlight, <https://www.amazon.com/Oling-Intimidator-XM-L-2-Flashlight-Black/dp/B00KLMDM4S> . . . (Jun. 29, 2016).

* cited by examiner

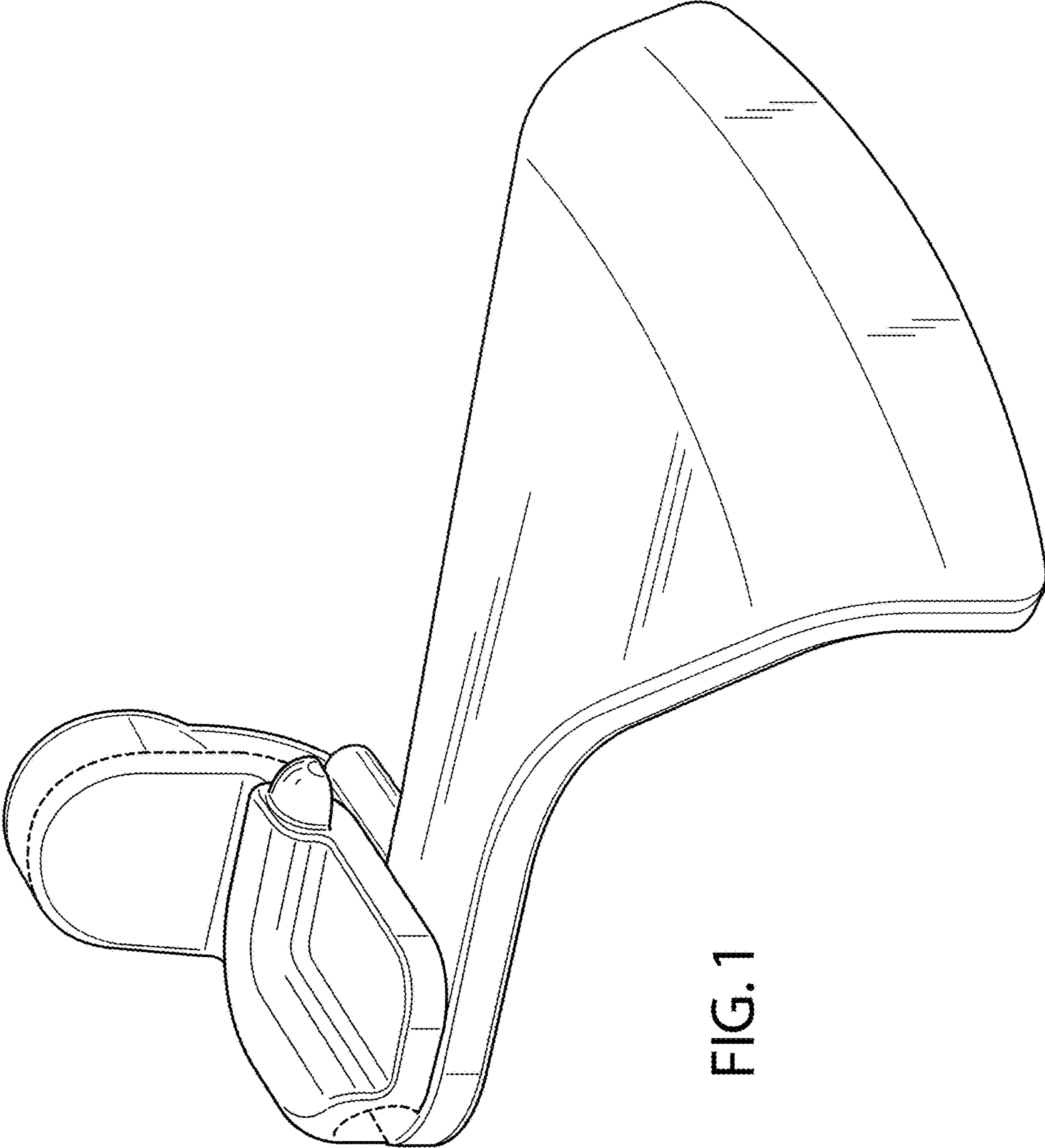


FIG. 1

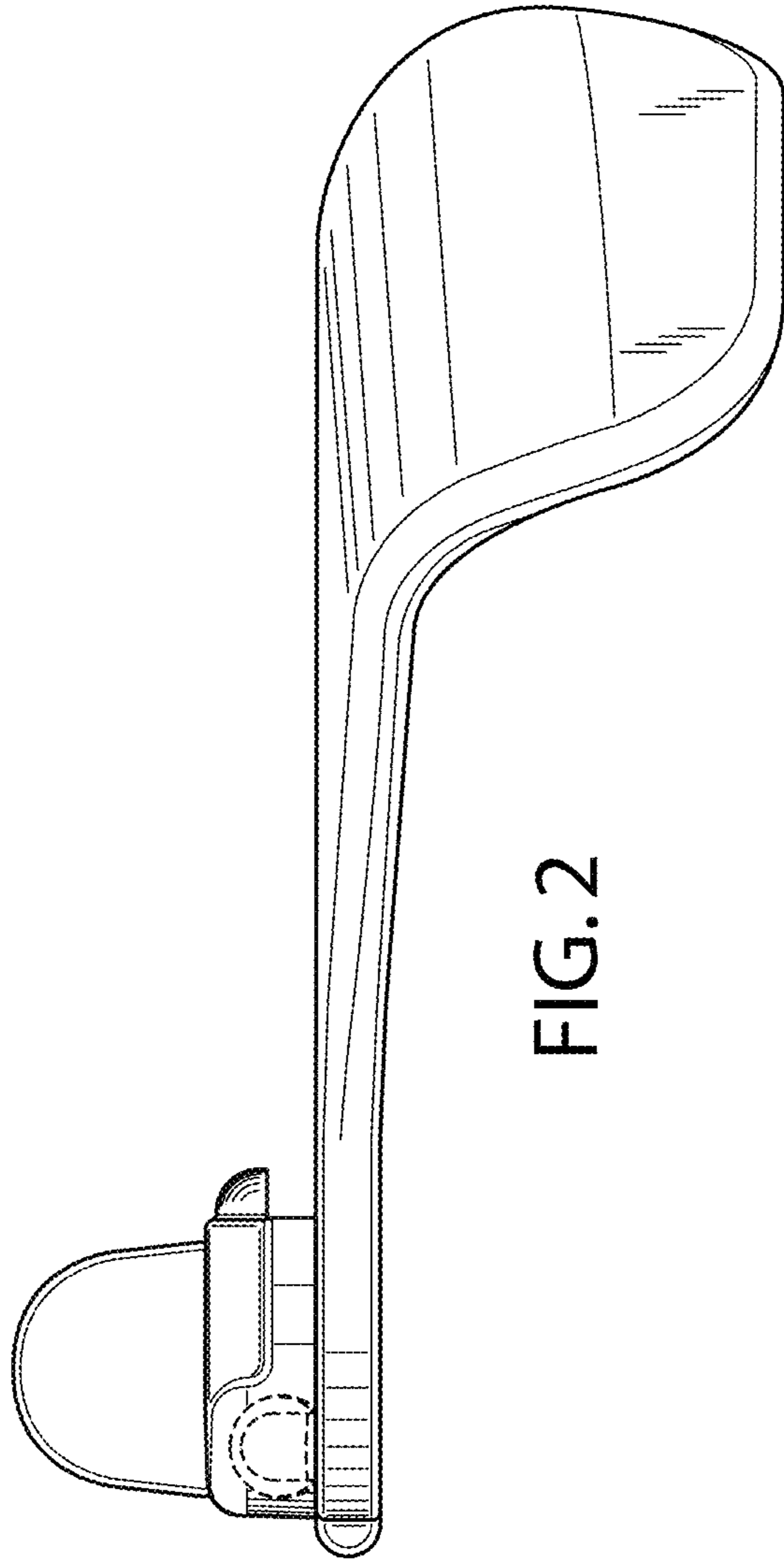


FIG. 2

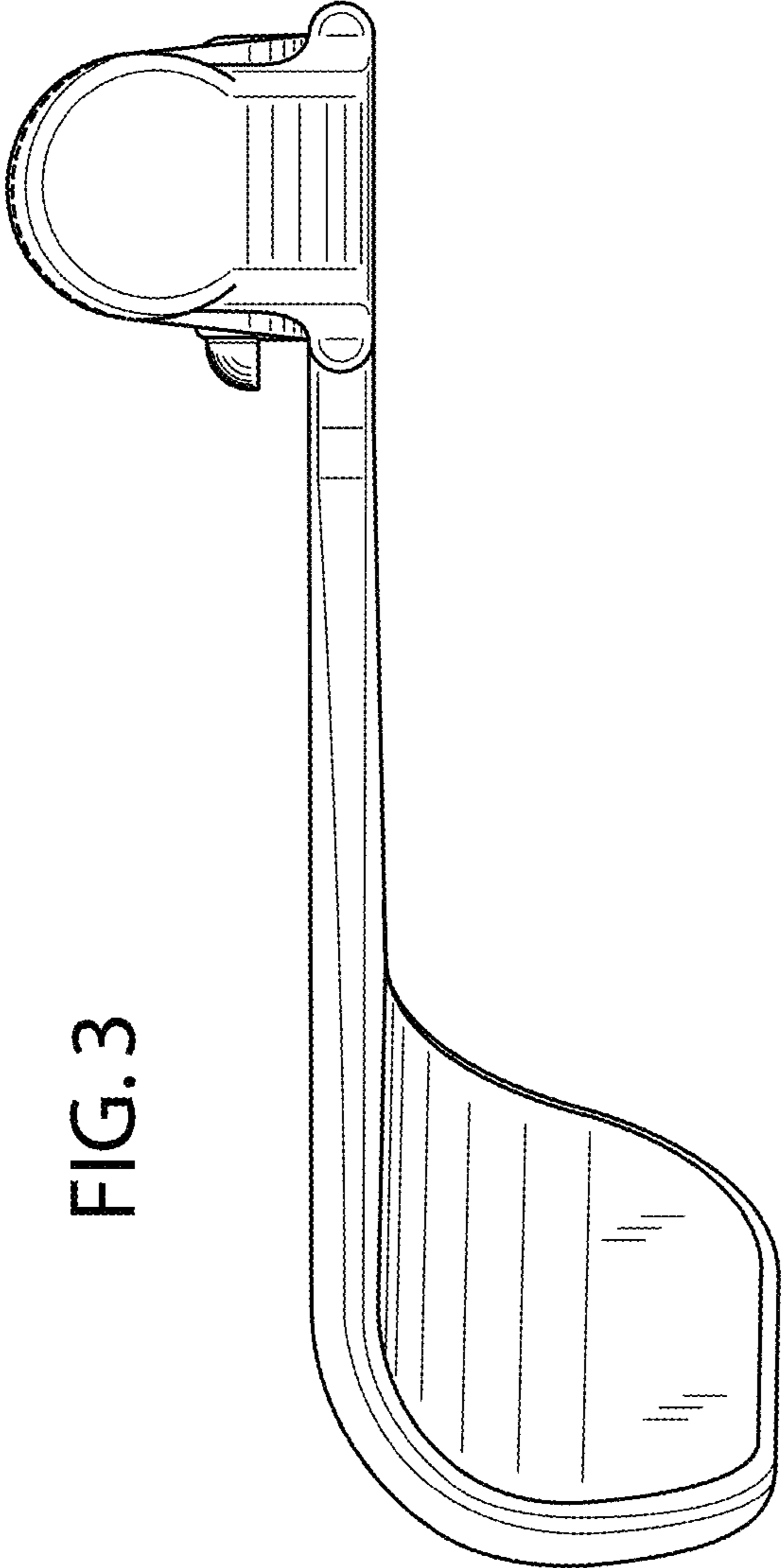
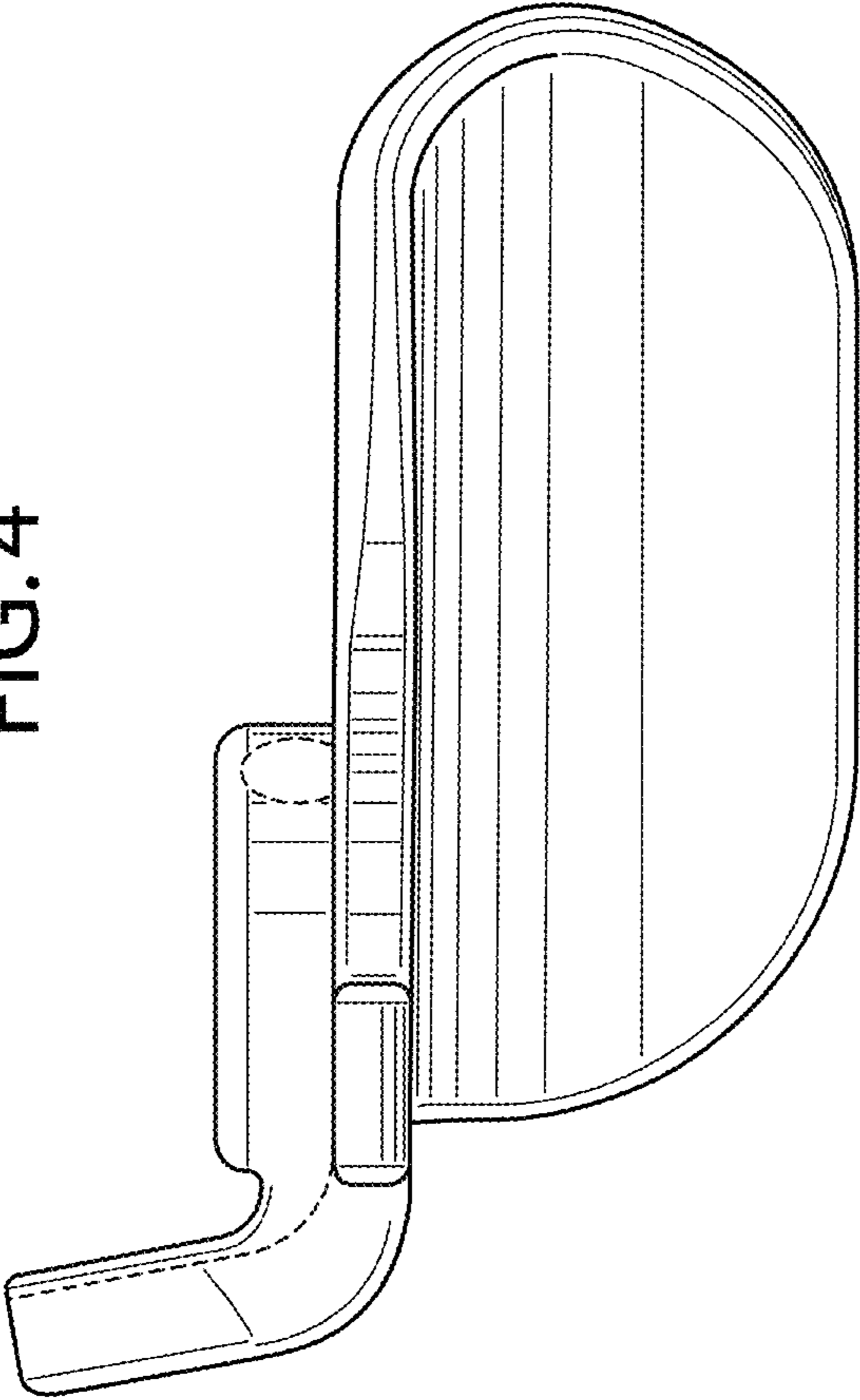


FIG. 3

FIG. 4



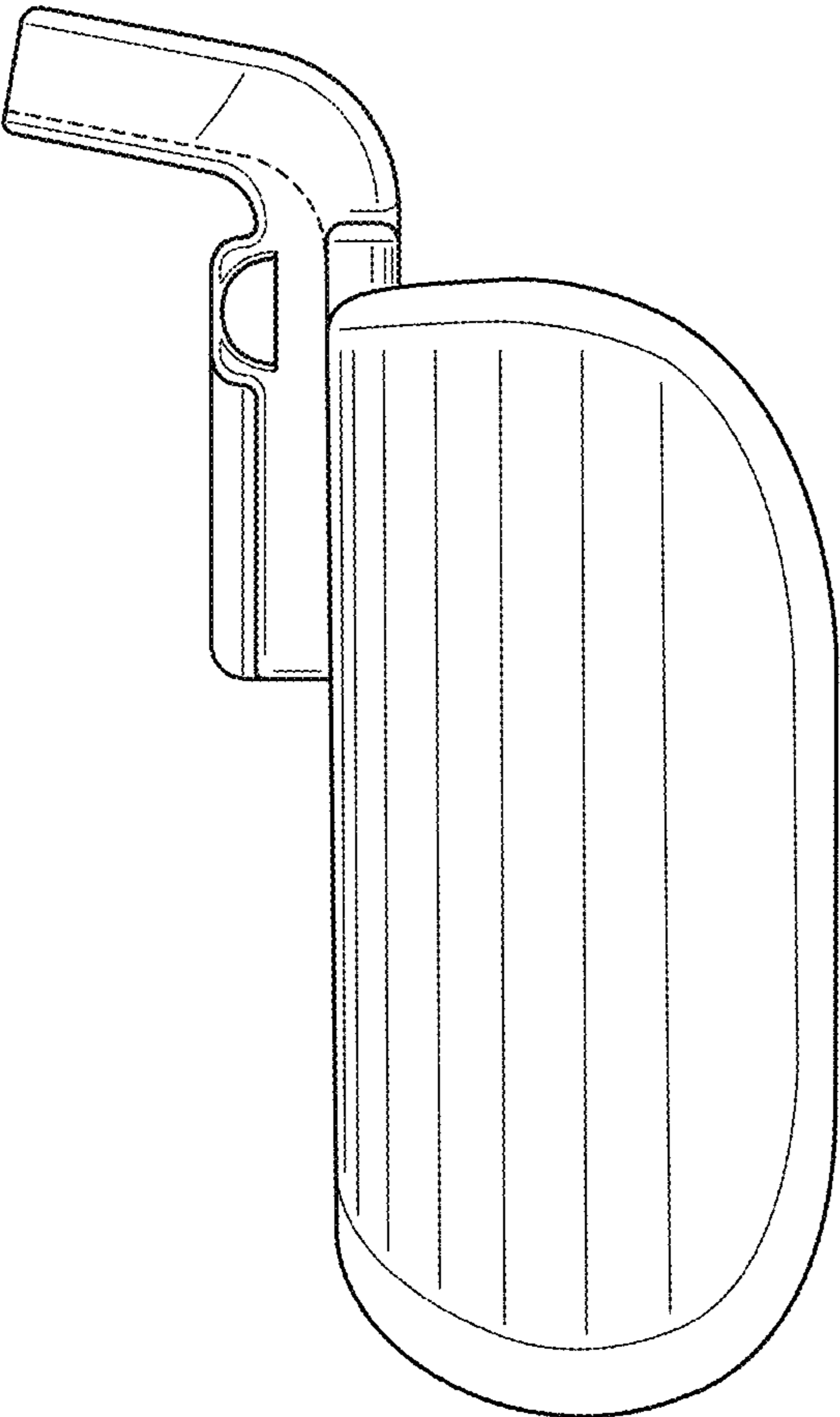


FIG. 5

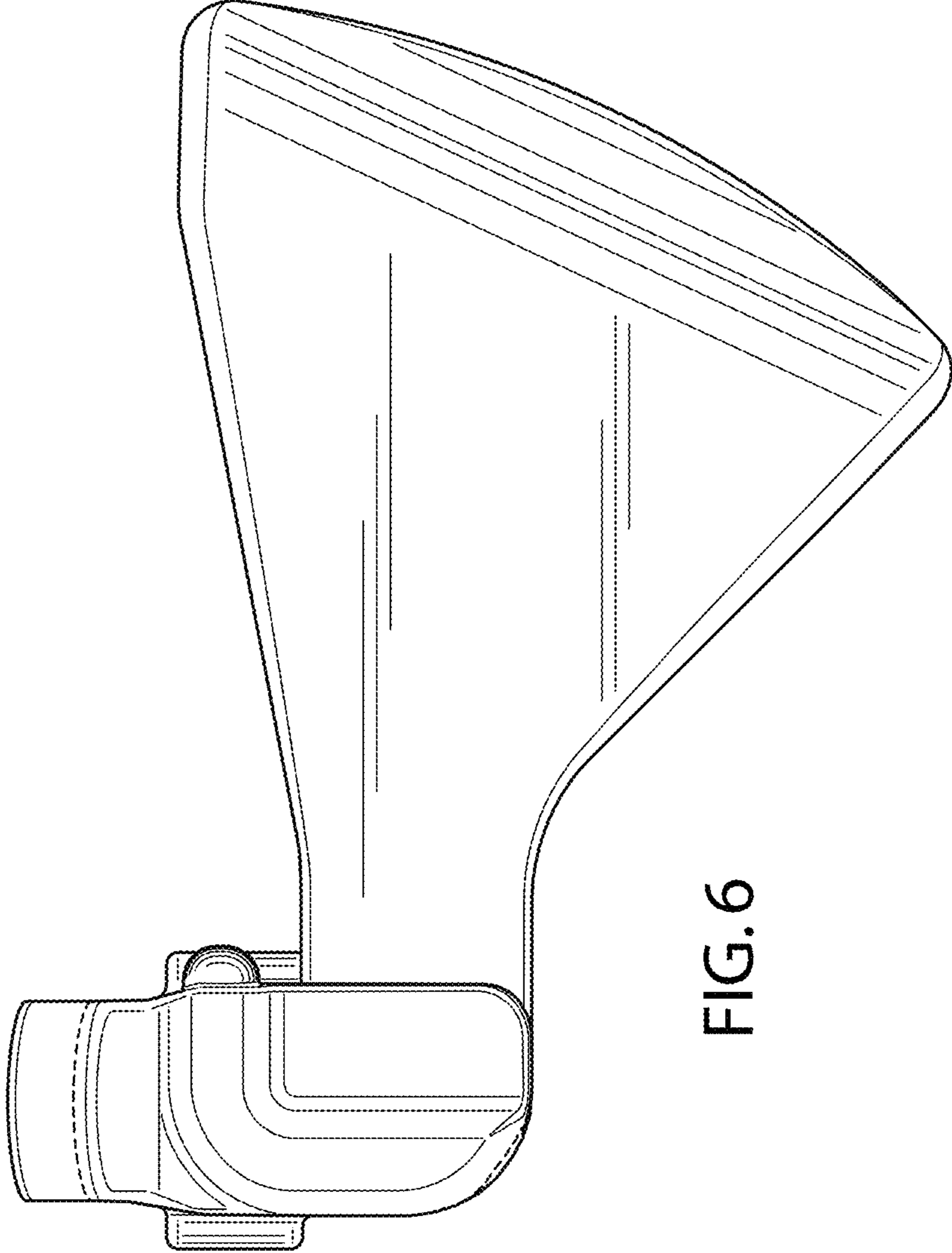


FIG. 6

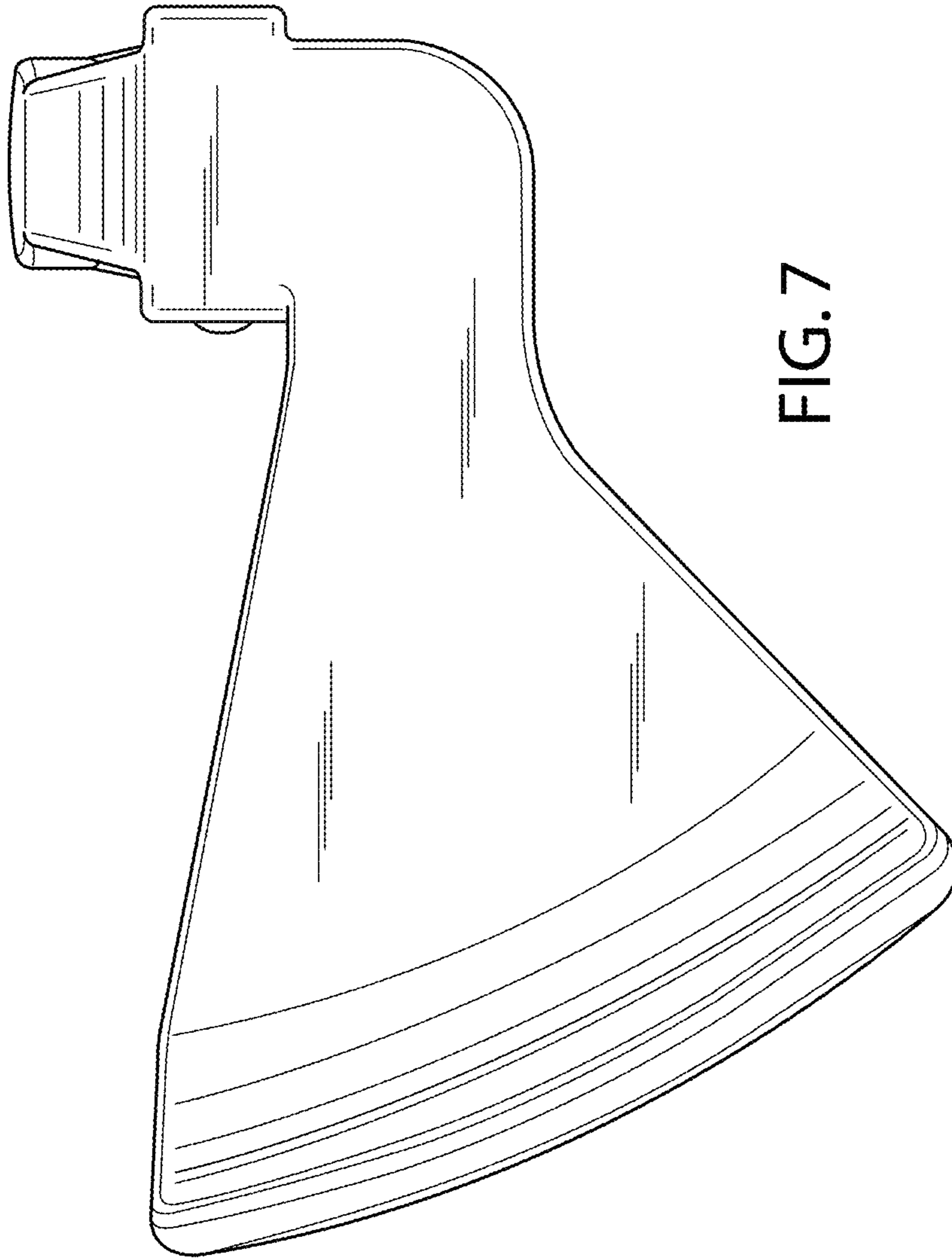


FIG. 7

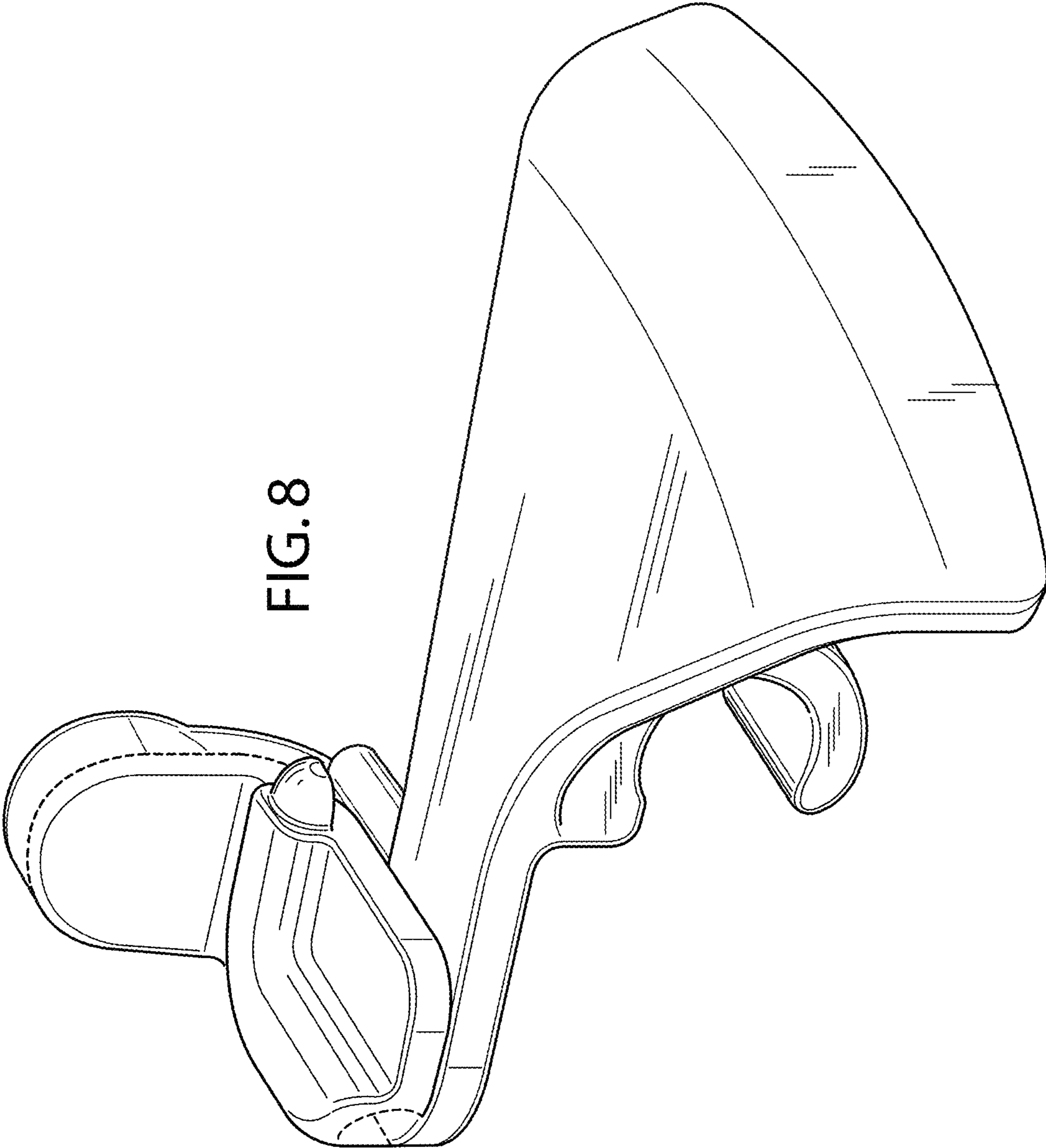


FIG. 8

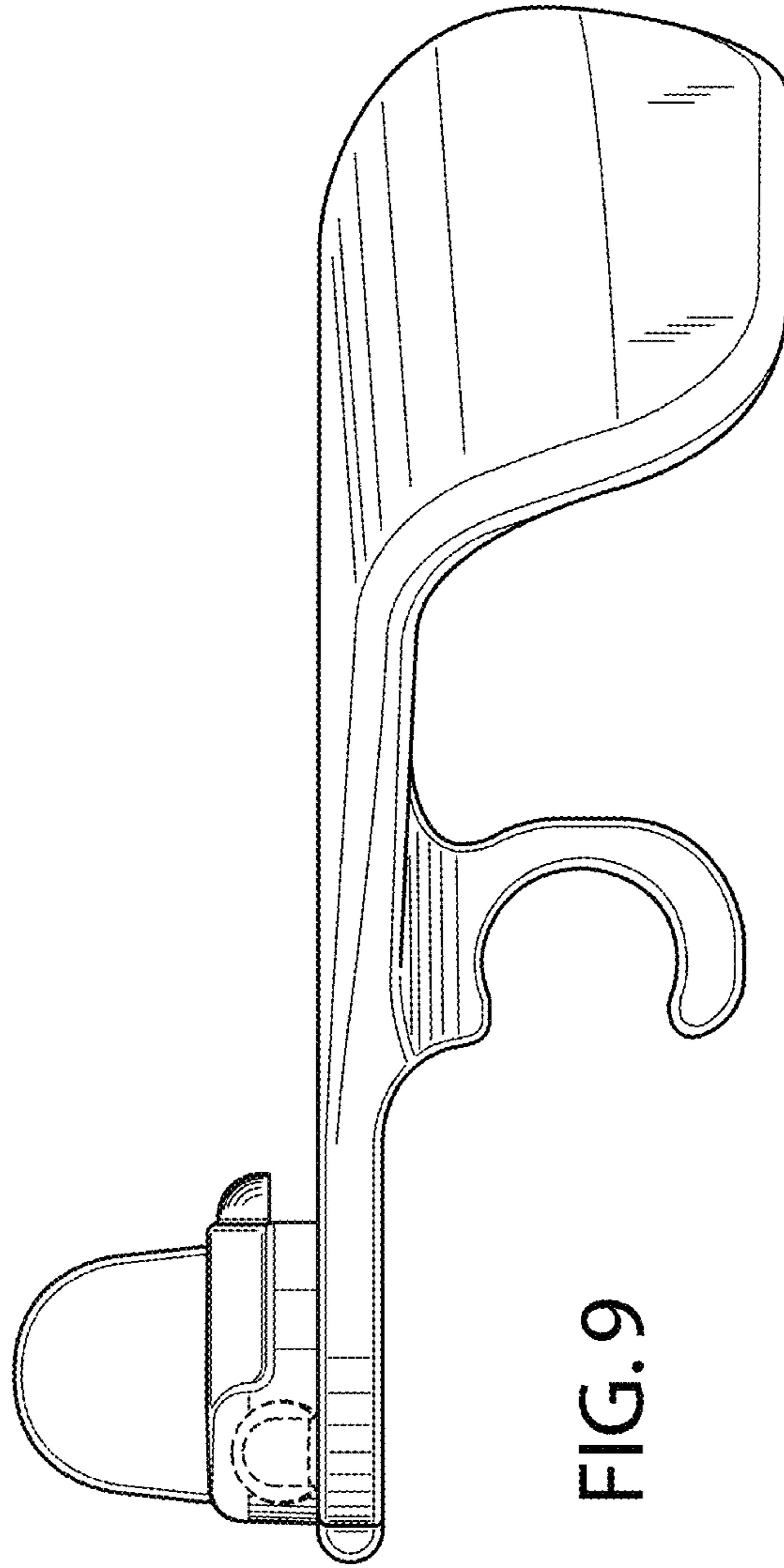


FIG. 9

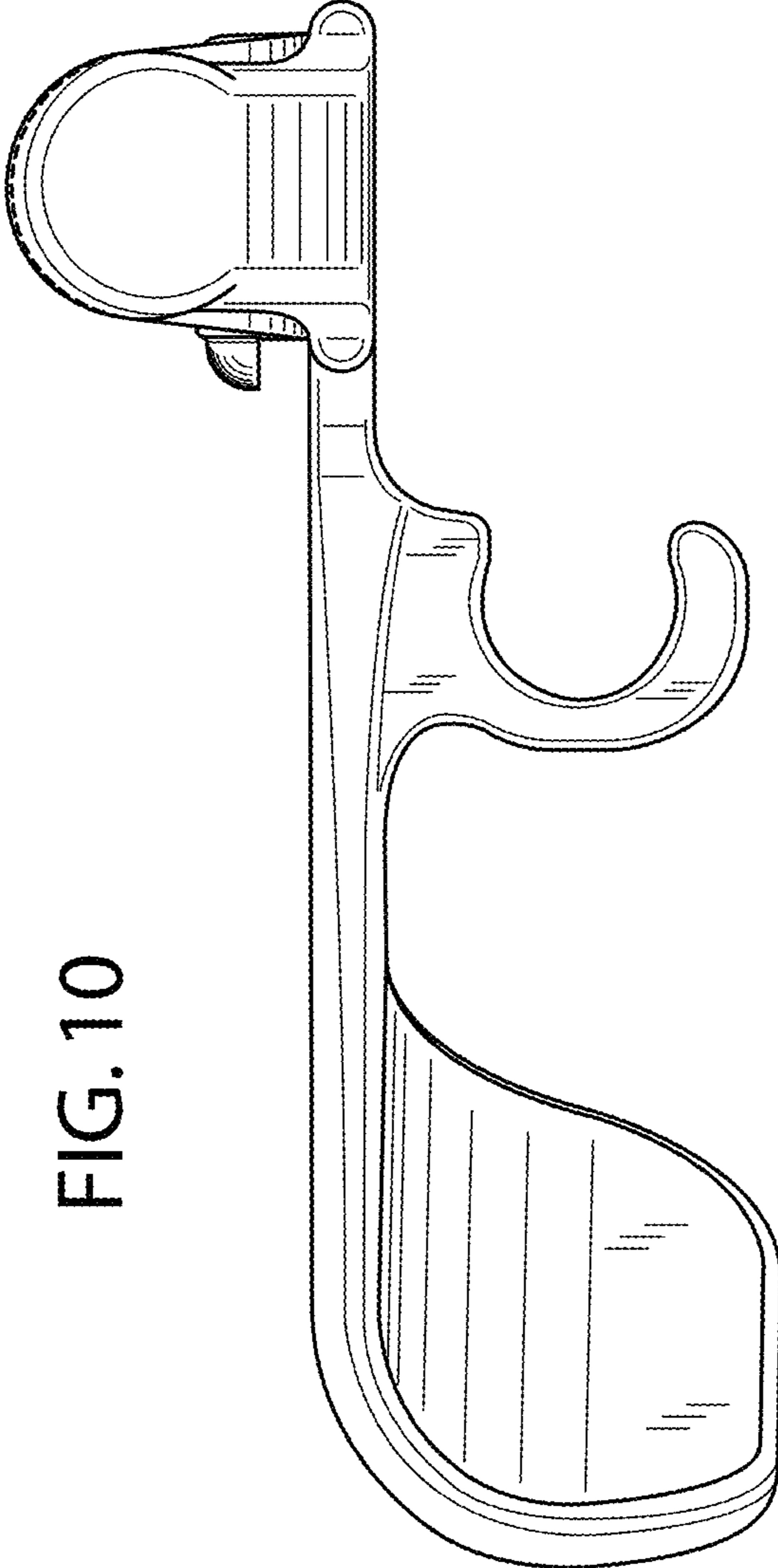


FIG. 10

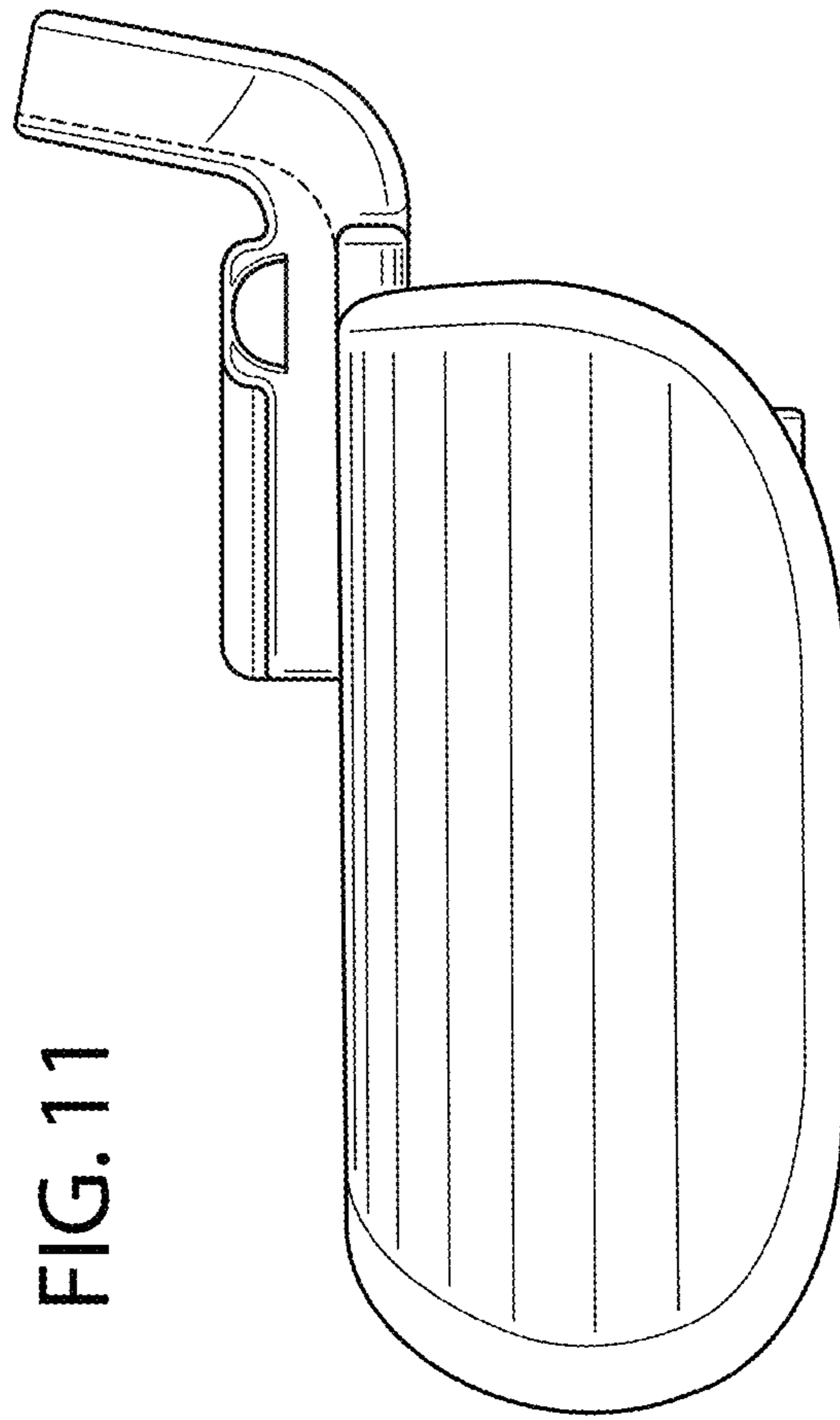


FIG. 11

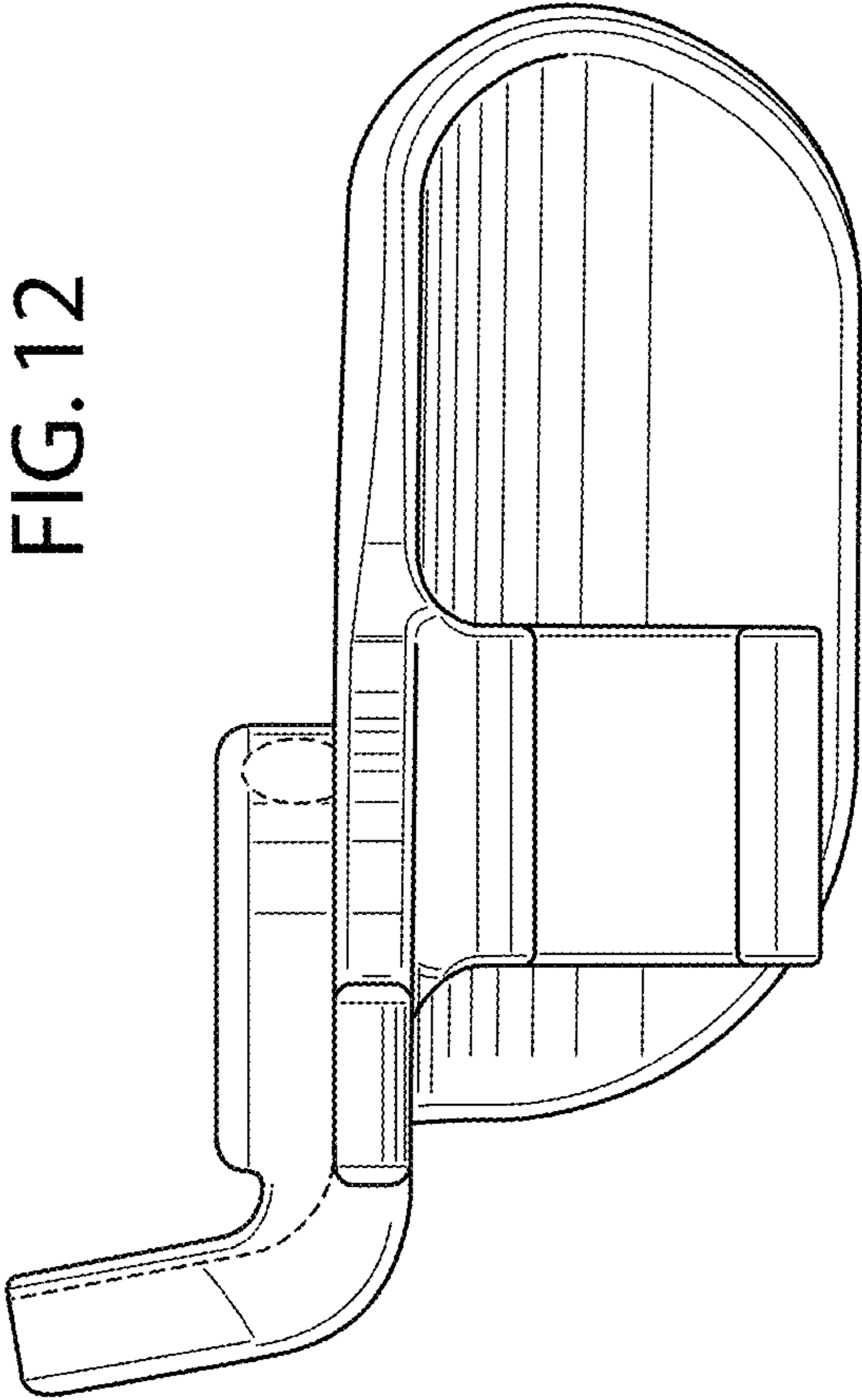


FIG. 12

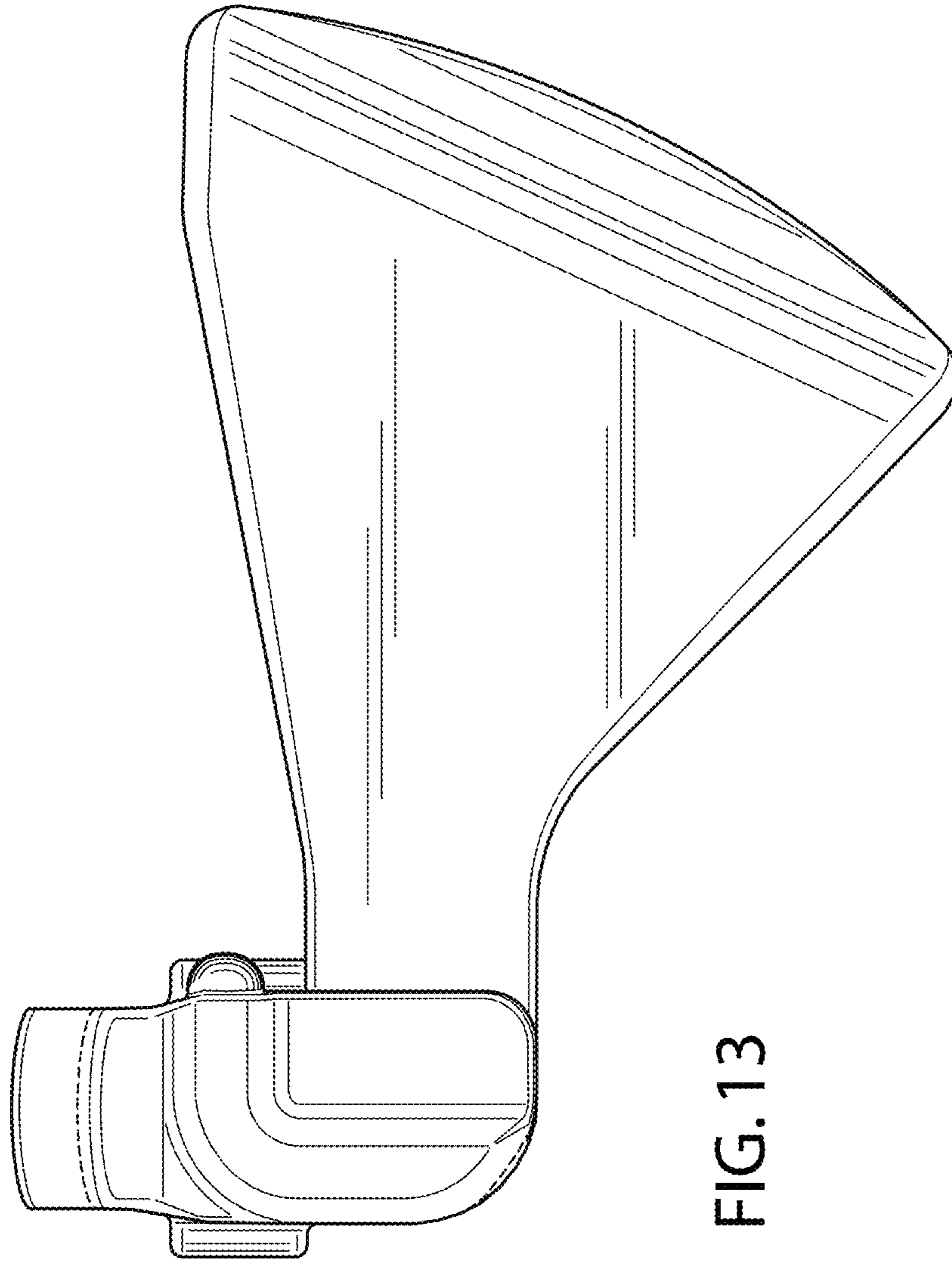


FIG. 13

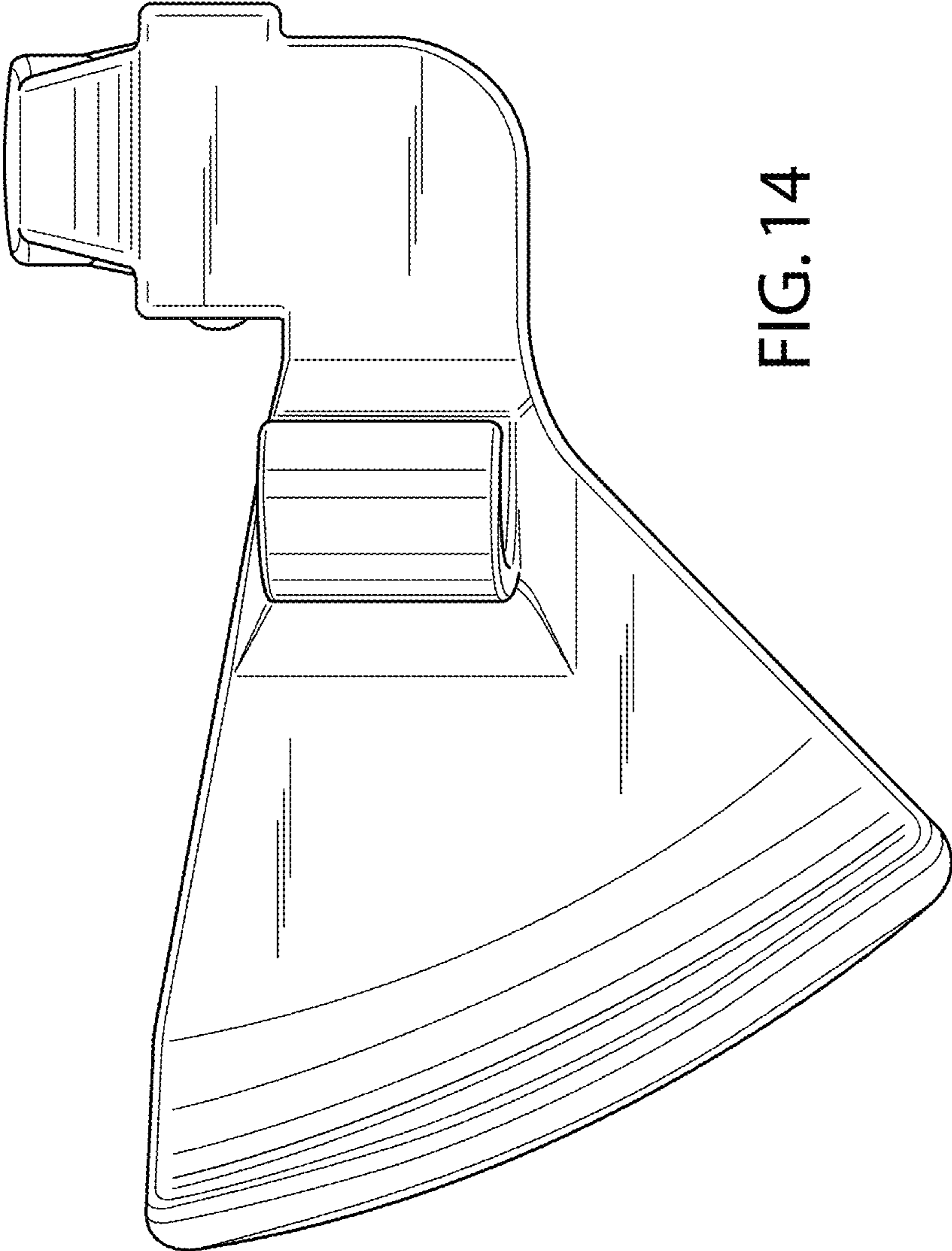


FIG. 14